

**HEADER SCHEDULE:**

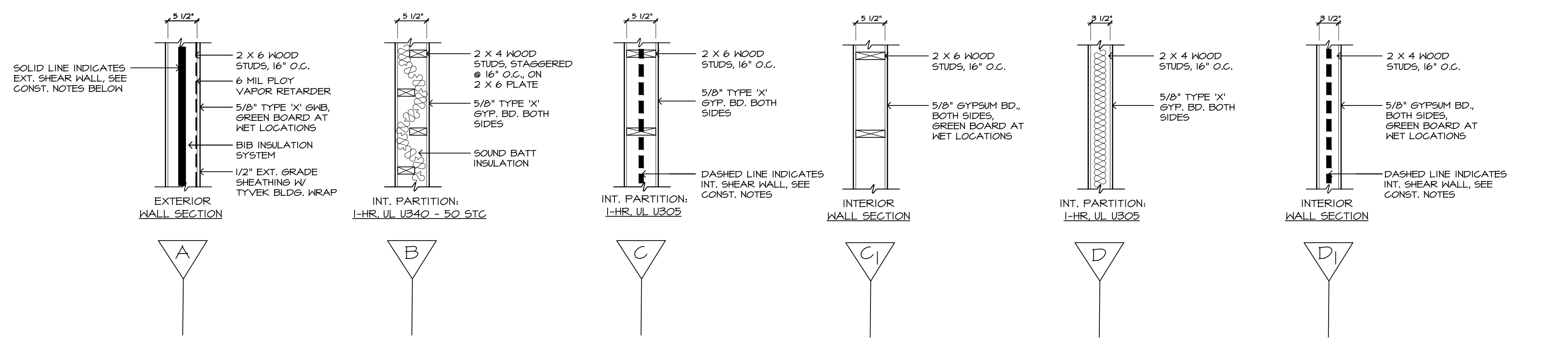
H-1	2 PLY 2 X 12 DFL OR 2 PLY 1 3/4" X 7 1/4" LVL
H-2	2 PLY 2 X 10 DFL
H-3	2 PLY 1 3/4" X 9 1/4" LVL 2.0E

**EXTERIOR SHEAR WALLS:**

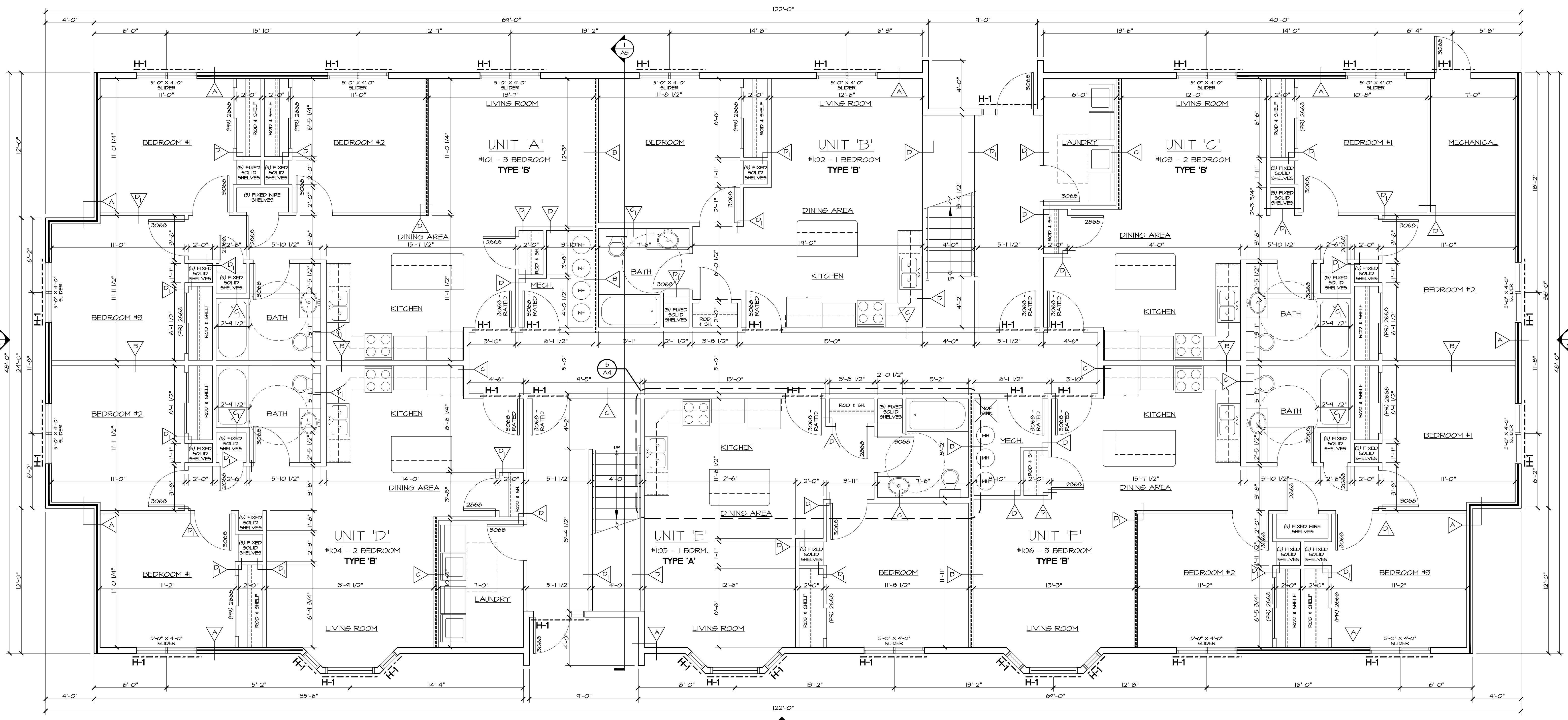
PER NDS TABLE 4.2A:  
5/32" OSB SHEATHING NAILED W/ 10d NAILS W/ 1 1/2" PENETRATION, BLOCKED NAILED @ 6" O.C. PERIMETER & INTERMEDIATE. FASTEN TO FOUNDATION WALL W/ 5/8" X 6" TITEN ANCHORS W/ 4 1/2" EMBEDMENT. FIRST ANCHOR @ END OF WALLS @ 32" O.C.

**INTERIOR SHEAR WALLS:**

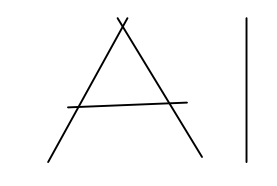
PER NDS TABLE 4.3C:  
1/2" GYPSUM WALL BOARD NAILED FASTENED W/ #6 TYPE 5 OR W DRYWALL SCREWS 1 1/4" LONG @ 4" O.C. PERIMETER @ 12" O.C. INTERMEDIATE, BLOCKED @ EDGES. FASTEN TO FOUNDATION/FLOOR W/ 5/8" TITEN ANCHORS W/ 4 1/2" EMBEDMENT (1) @ END OF WALLS @ 48" O.C.



2 WALL TYPES  
3/4" = 1'-0"



1 FIRST FLOOR PLAN  
1/4" = 1'-0"



**HEADER SCHEDULE:**

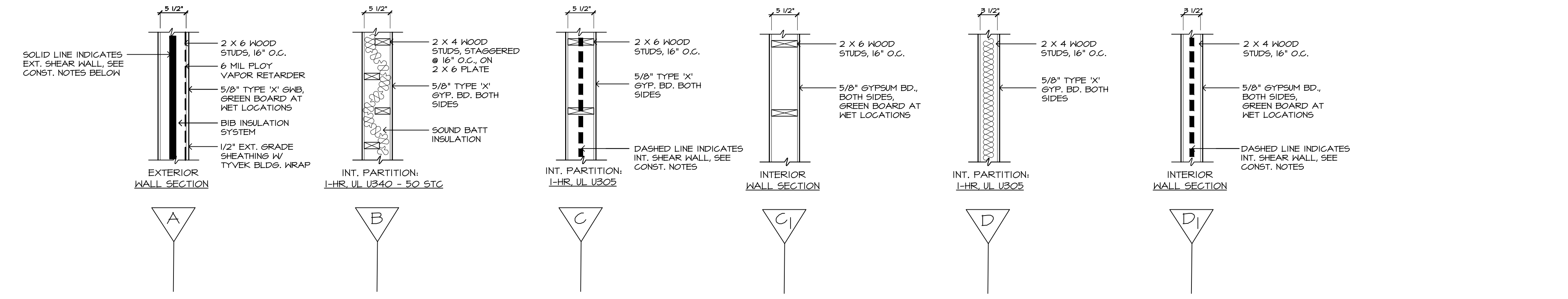
H-1	2 PLY 2 X 12 DFL OR 2 PLY 1 3/4" X 7 1/4" LVL
H-2	2 PLY 2 X 10 DFL
H-3	2 PLY 1 3/4" X 9 1/4" LVL 2.0E

**EXTERIOR SHEAR WALLS:**

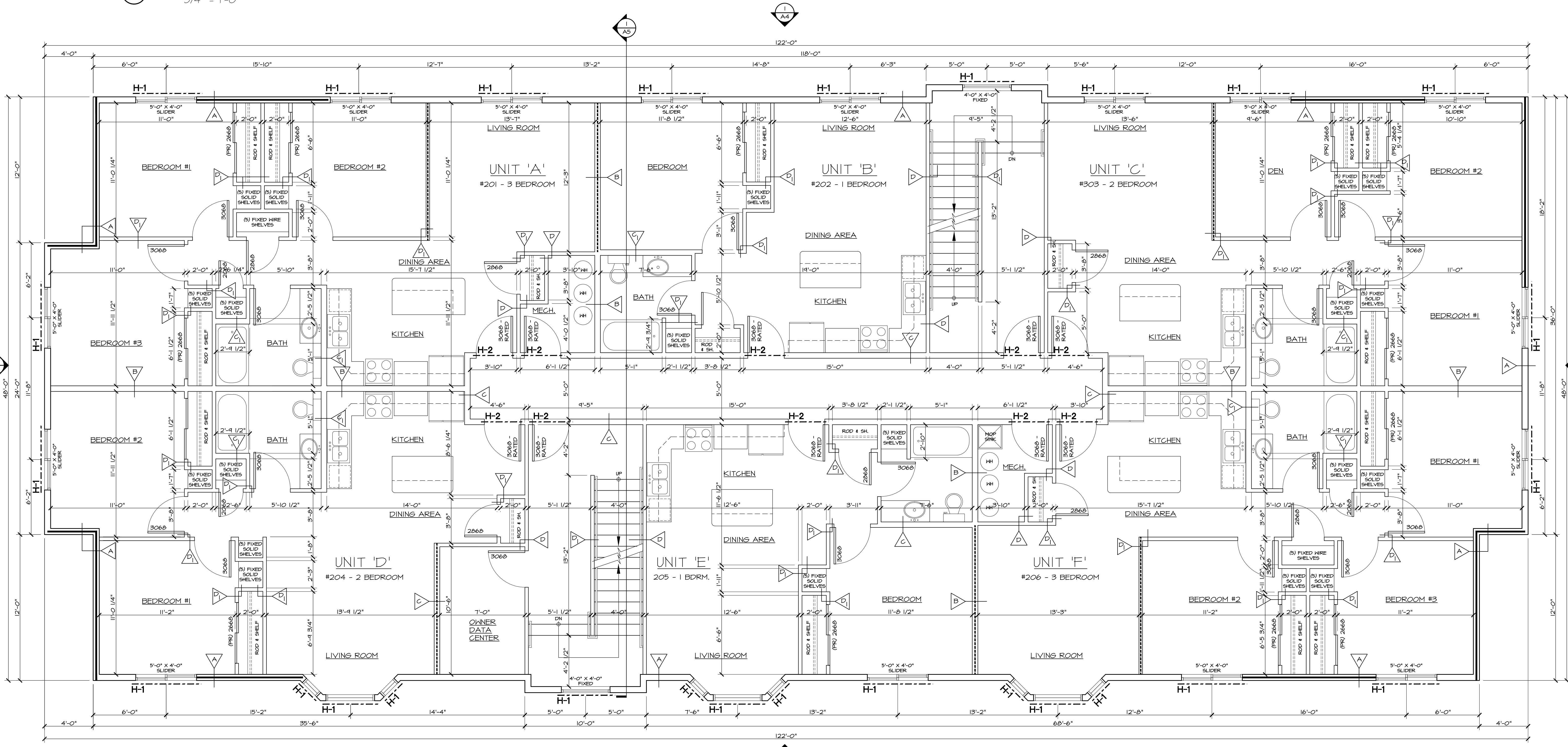
PER NDS TABLE 4.2A:  
1/2" OSB SHEATHING NAILED W/ 10d NAILS W/ 1 1/2" PENETRATION, BLOCKED NAILED @ 6" O.C. PERIMETER & INTERMEDIATE. FASTEN TO FOUNDATION WALL W/ 5/8" X 6" TITEN ANCHORS W/ 4 1/2" EMBEDMENT. FIRST ANCHOR @ END OF WALLS @ 32" O.C.

**INTERIOR SHEAR WALLS:**

PER NDS TABLE 4.3C:  
1/2" GYPSUM WALL BOARD NAILED FASTENED W/ #6 TYPE 5 OR W DRYWALL SCREWS 1 1/4" LONG @ 4" O.C. PERIMETER @ 12" O.C. INTERMEDIATE, BLOCKED @ EDGES. FASTEN TO FOUNDATION/FLOOR W/ 5/8" TITEN ANCHORS W/ 4 1/2" EMBEDMENT (1) @ END OF WALLS @ 48" O.C.



2 WALL TYPES  
3/4" = 1'-0"



1 SECOND FLOOR PLAN  
1/4" = 1'-0"

**HEADER SCHEDULE:**

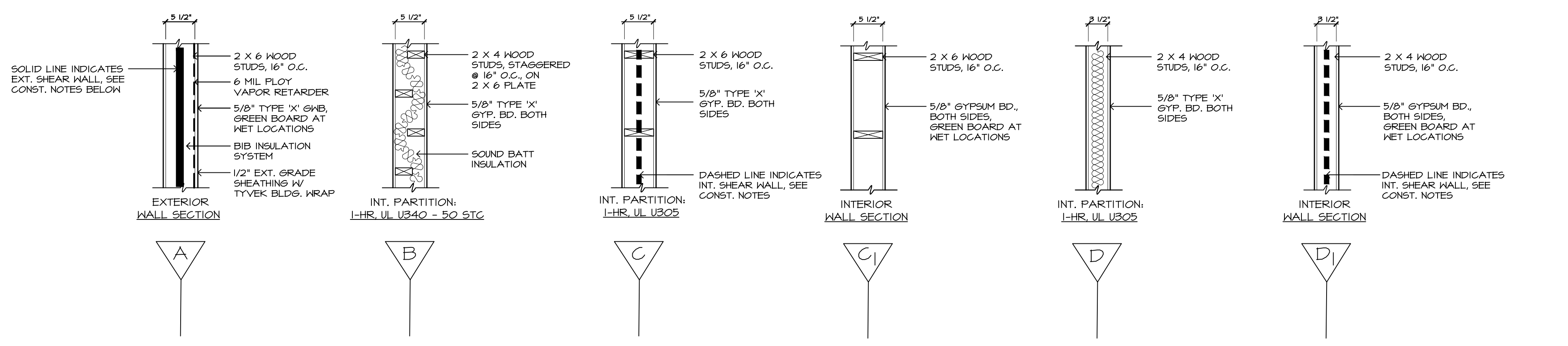
H-1	2 PLY 2 X 12 DFL OR 2 PLY 1 3/4" X 7 1/4" LVL
H-2	2 PLY 2 X 10 DFL
H-3	2 PLY 1 3/4" X 9 1/4" LVL 2.OE

**EXTERIOR SHEAR WALLS:**

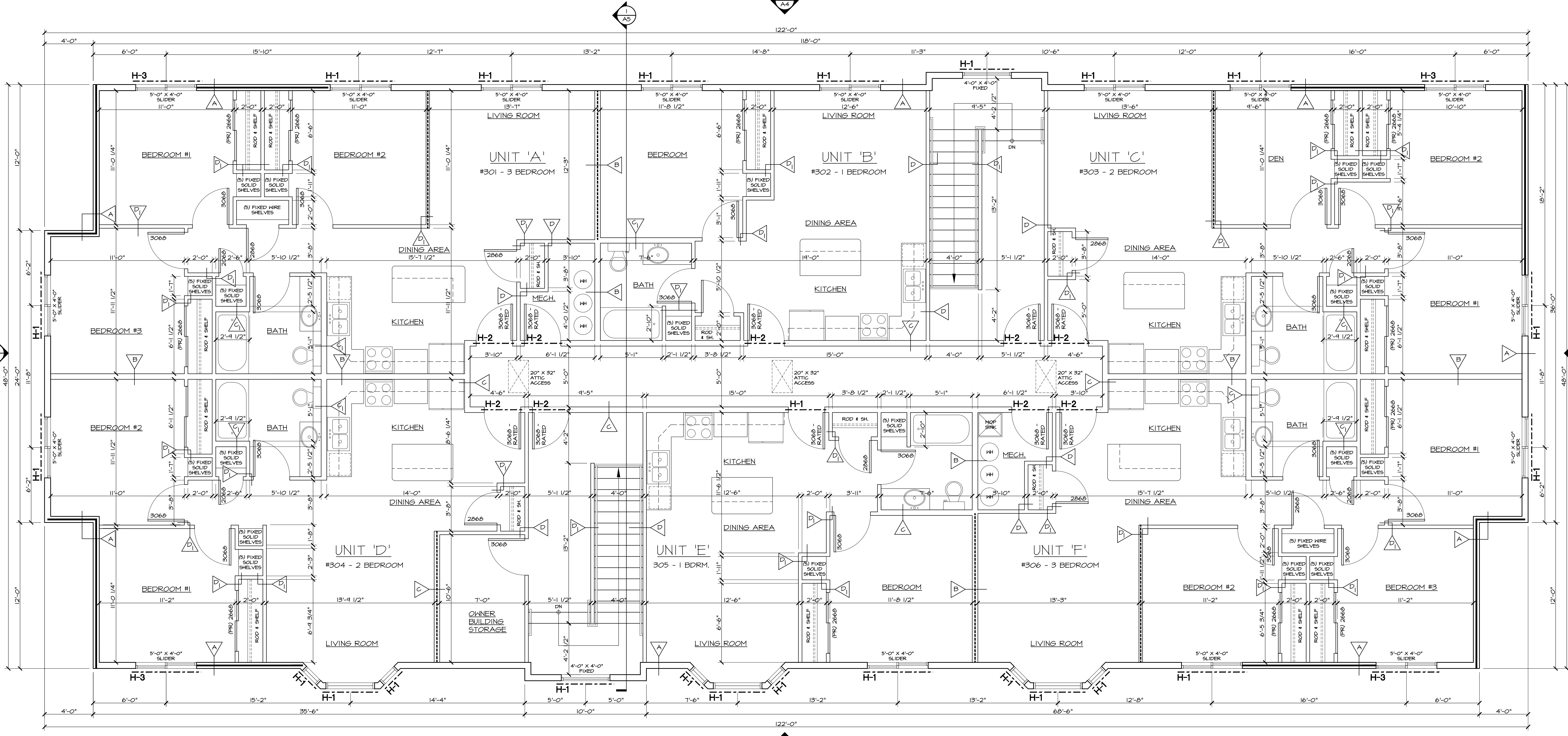
PER NDS TABLE 4.2A:  
1/2" OSB SHEATHING NAILED W/ 10d NAILS W/ 1 1/2" PENETRATION, BLOCKED NAILED @ 6" O.C. PERIMETER & INTERMEDIATE. FASTEN TO FOUNDATION WALL W/ 5/8" X 6" TITEN ANCHORS W/ 4 1/2" EMBEDMENT. FIRST ANCHOR @ END OF WALLS @ 32" O.C.

**INTERIOR SHEAR WALLS:**

PER NDS TABLE 4.3C:  
1/2" GYPSUM WALL BOARD NAILED FASTENED W/ #6 TYPE 5 OR W DRYWALL SCREWS 1 1/4" LONG @ 4" O.C. PERIMETER & 12" O.C. INTERMEDIATE, BLOCKED @ EDGES. FASTEN TO FOUNDATION/FLOOR W/ 5/8" TITEN ANCHORS W/ 4 1/2" EMBEDMENT (1) @ END OF WALLS @ 48" O.C.



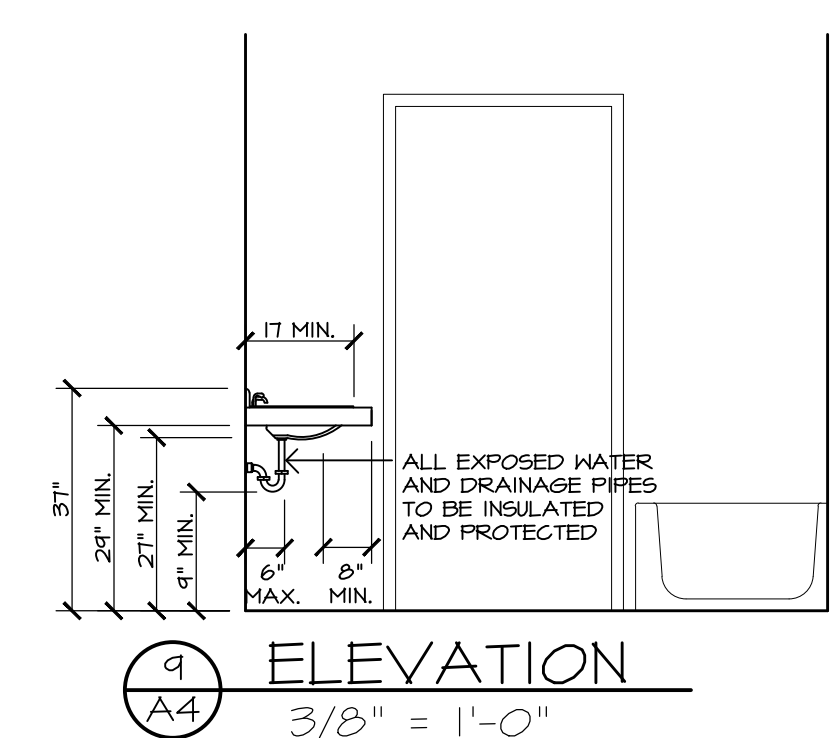
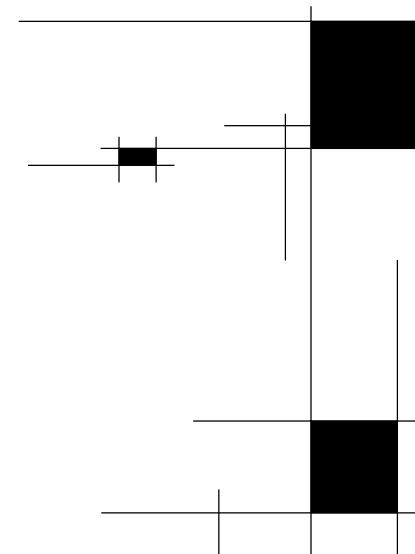
2  
A1 WALL TYPES  
3/4" = 1'-0"



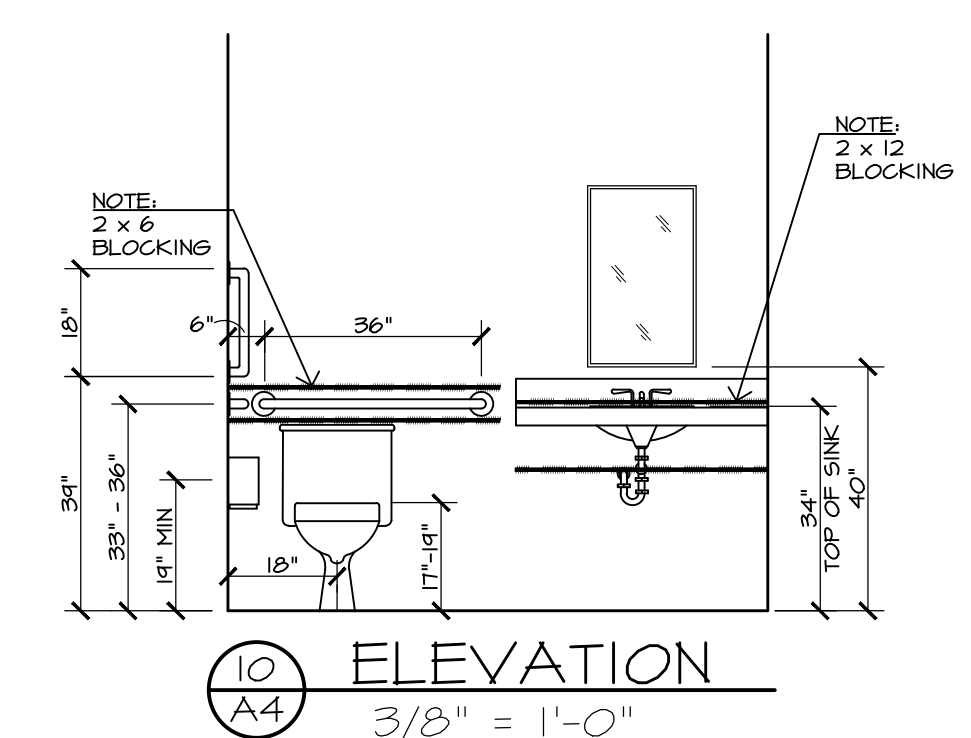
1  
A3 THIRD FLOOR PLAN  
1/4" = 1'-0"



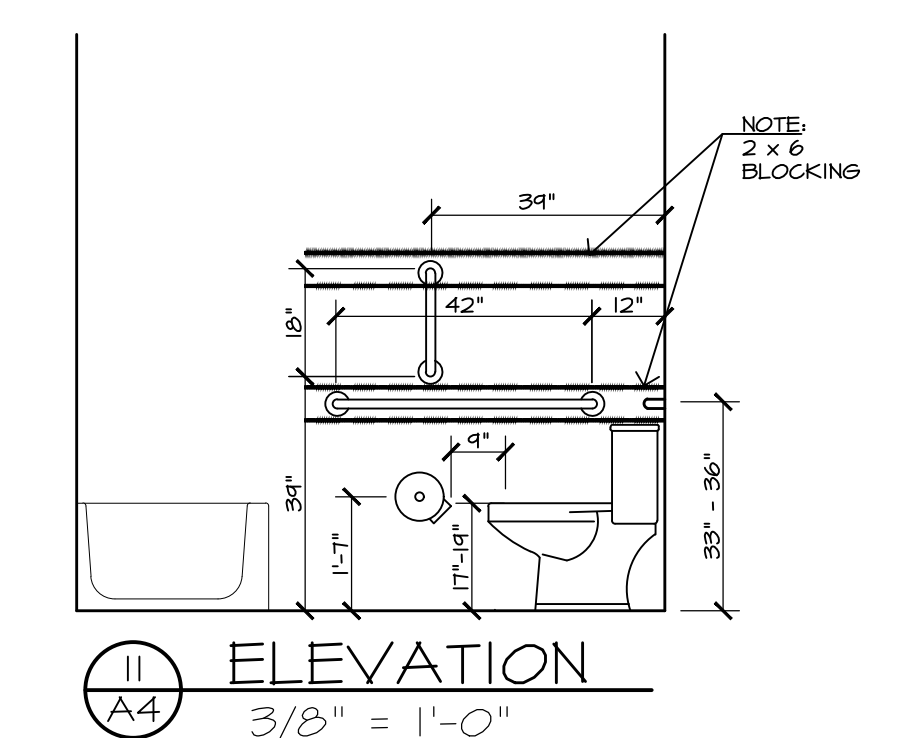




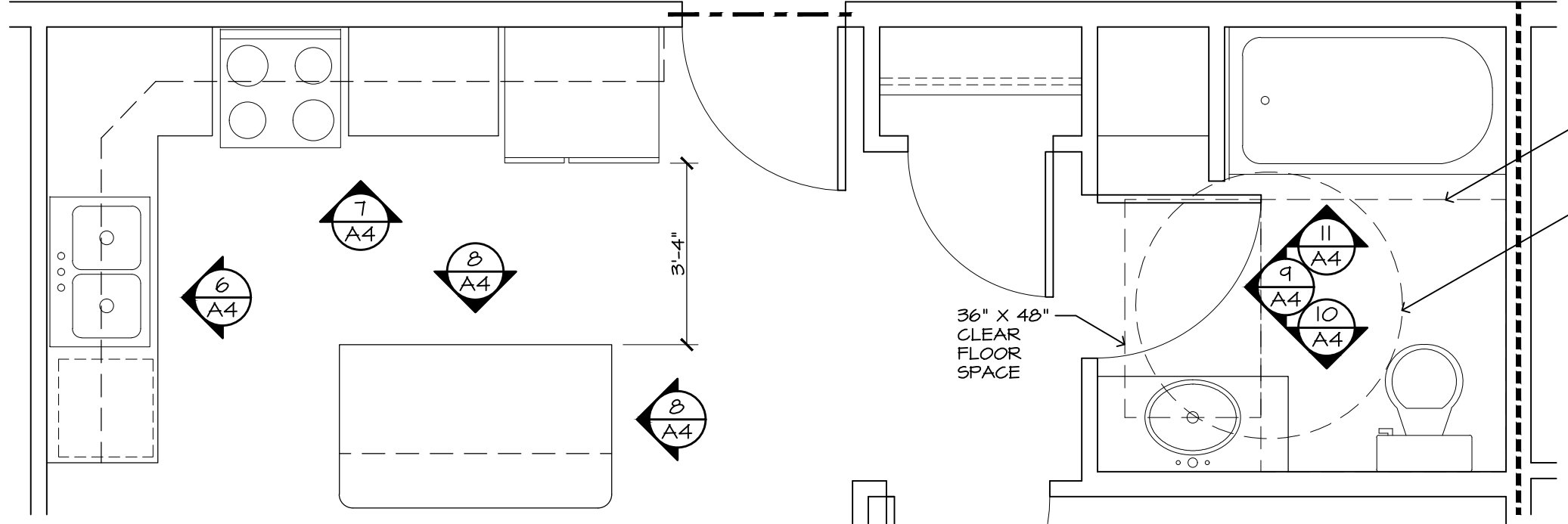
9 ELEVATION  
3/8" = 1'-0"



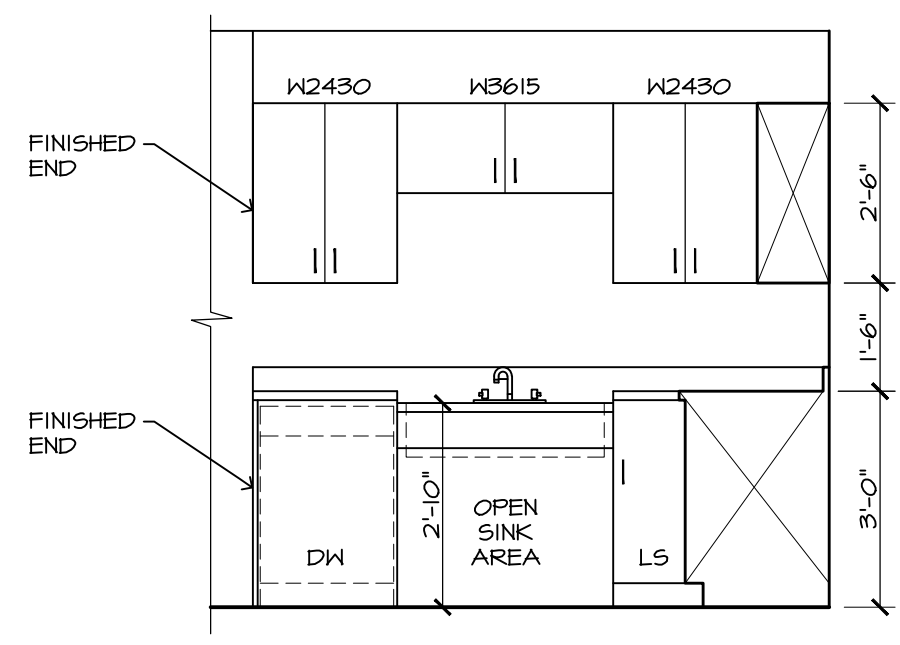
10 ELEVATION  
3/8" = 1'-0"



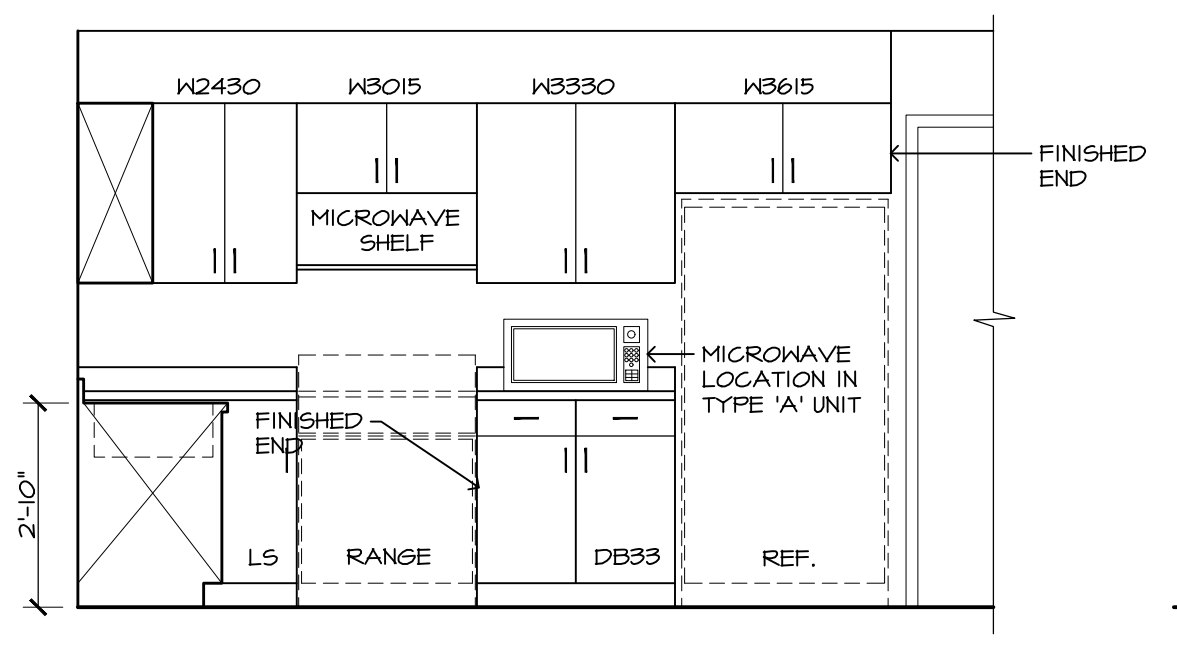
11 ELEVATION  
3/8" = 1'-0"



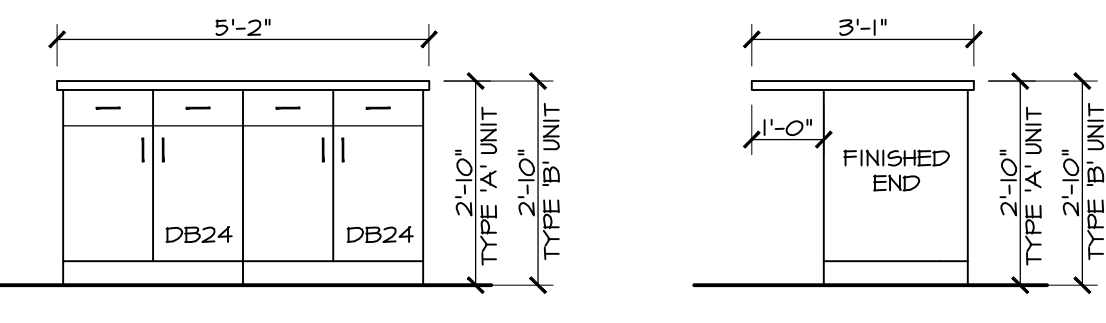
5 ENLARGED KITCHEN & TOILET PLAN - TYPE 'A'  
3/8" = 1'-0"



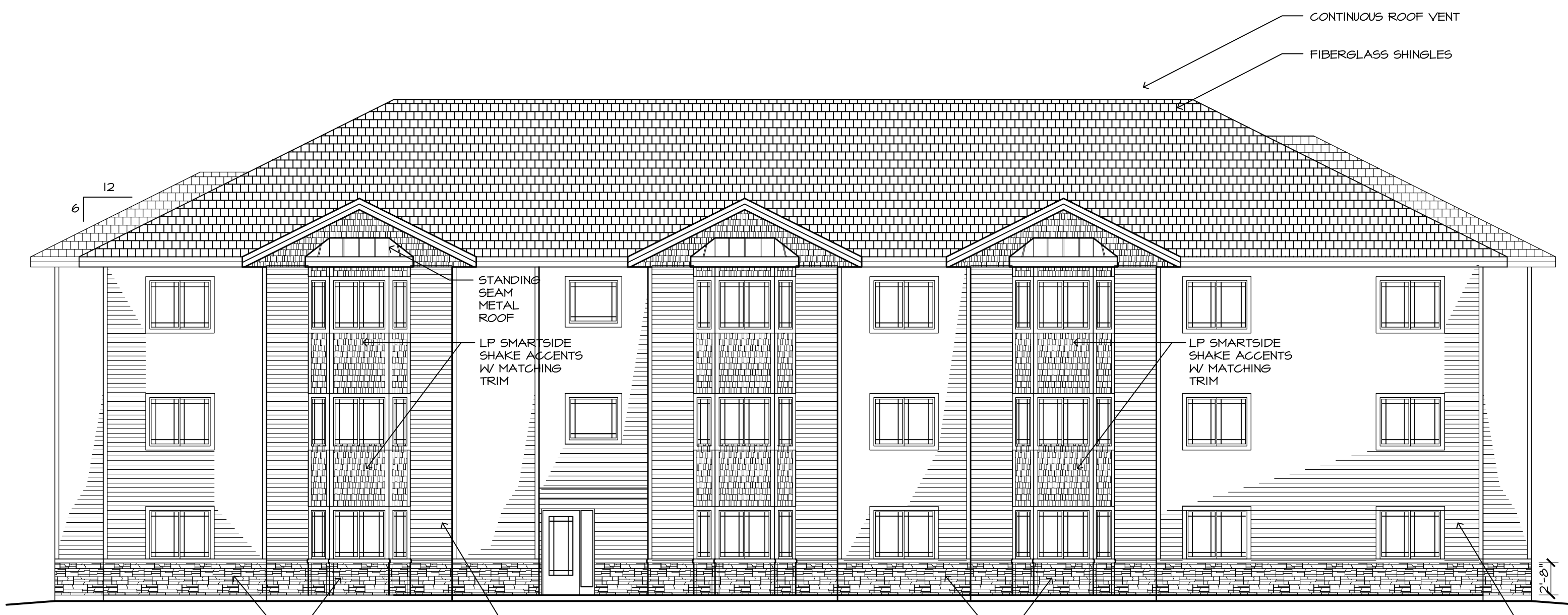
6 KITCHEN ELEVATION  
TYPE 'A' UNIT



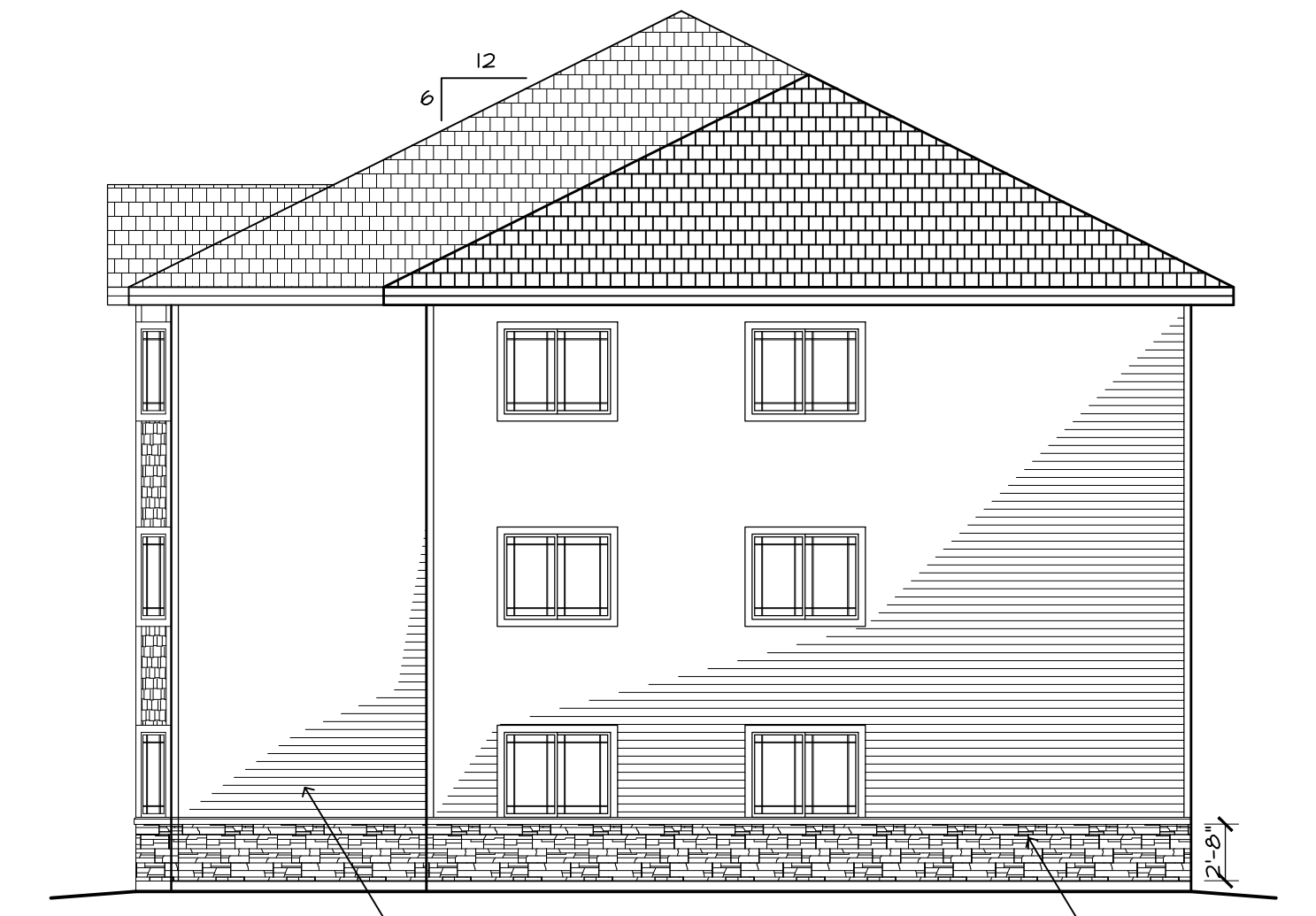
7 KITCHEN ELEVATION  
TYPE 'A' UNIT



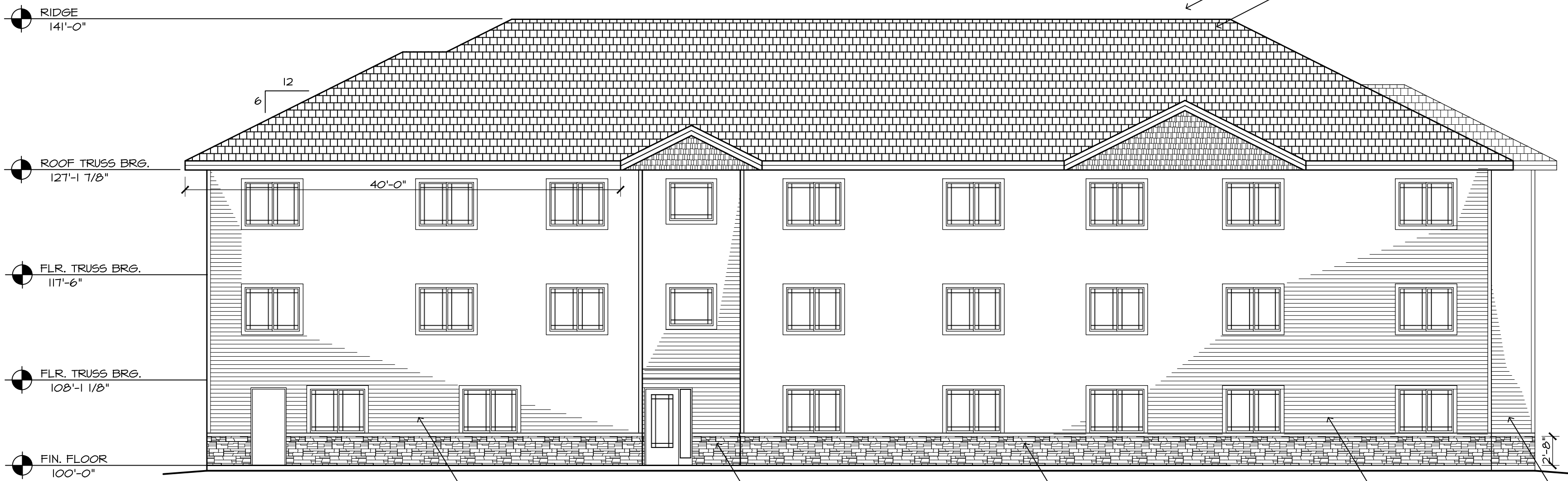
8 KITCHEN ELEVATION  
TYPE 'A' & 'B' UNIT



3 SOUTH EXTERIOR ELEVATION  
1/8" = 1'-0"



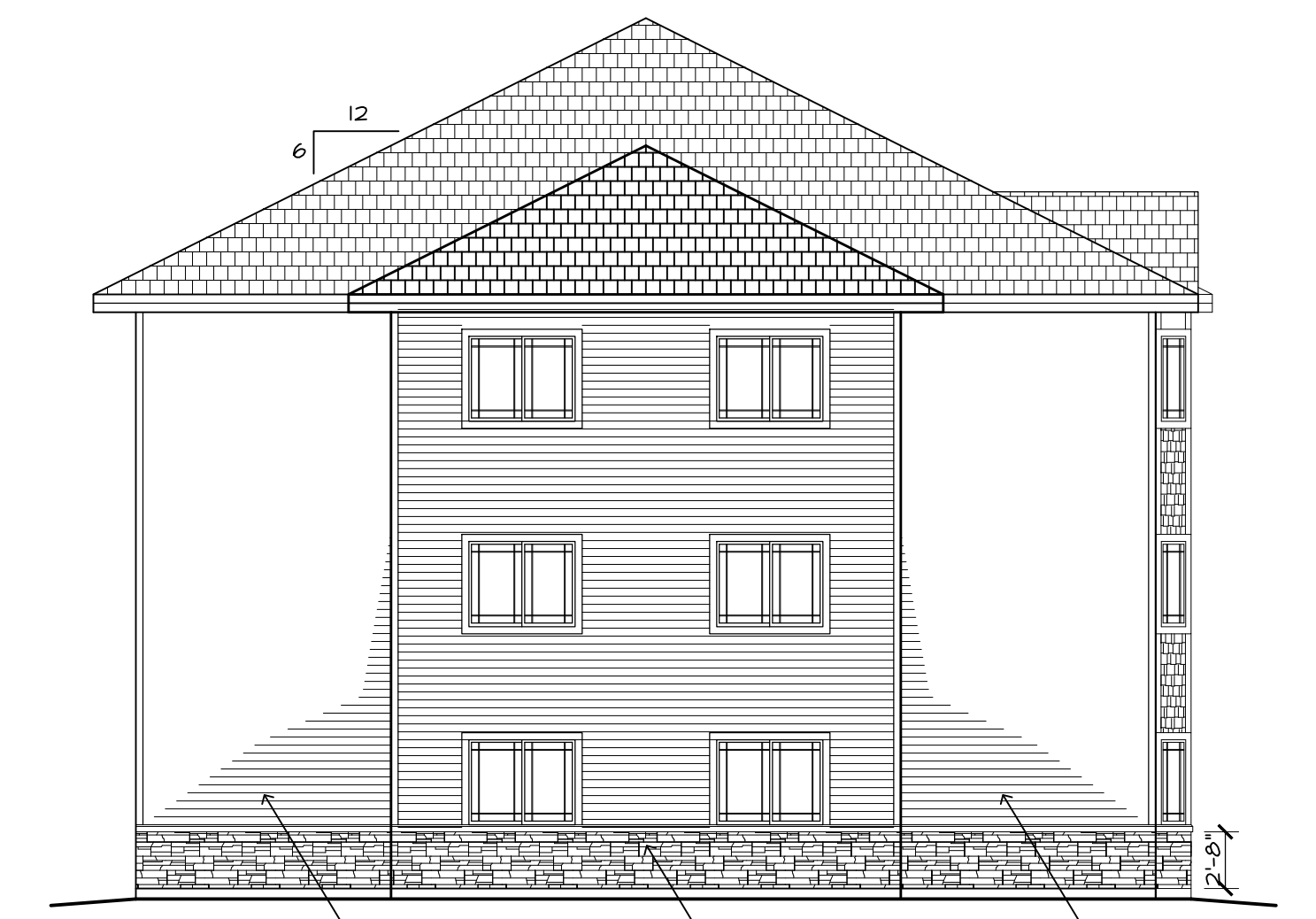
4 WEST EXTERIOR ELEVATION  
1/8" = 1'-0"



1 NORTH EXTERIOR ELEVATION  
1/8" = 1'-0"

**ELEVATION NOTES**

- ALL ROOF PITCHES TO BE 6:12 UNLESS NOTED OTHERWISE.
- ALL SIDING TO BE DOUBLE 5" VINYL (044) WITH ASSOCIATED VINYL TRIM.
- VINYL SHAKES ACCENTS AS NOTED.
- ALL FASCIAS AND SOFFITS TO BE PREFINISHED ALUMINUM.
- ALL ROOF SHINGLES TO BE 40 YEAR TEXTURED FIBERGLASS.
- PROVIDE CONTINUOUS SOFFIT AND SHINGLE-OVER RIDGE VENTS THROUGHOUT.
- PROVIDE TREATED WOOD BLOCKING AND/OR VINYL TRIM AS NECESSARY AT EXTERIOR LIGHT FIXTURES AND OTHER NECESSARY MECHANICAL, ELECTRICAL OR PLUMBING PENETRATIONS.
- VERSETTA STONE WAHNSCOT AND SILL AS SHOWN.



2 EAST EXTERIOR ELEVATION  
1/8" = 1'-0"