



LED retrofit downlights are perfect for updating existing recessed lighting without changing the fixture. Equivalent to 50W Par.

Color: White

Weight: 0.9 lbs

Project:
Brett Sawyer - Office

Type:
D1

Prepared By:
Aaron Keil

Date:
03.22.17

Driver Info

| | |
|--------------|------------------|
| Type: | Constant Current |
| 120V: | 0.08A |
| 208V: | N/A |
| 240V: | N/A |
| 277V: | N/A |
| Input Watts: | 9W |
| Efficiency: | 92% |

LED Info

| | |
|-----------------|--------|
| Watts: | 8W |
| Color Temp: | 3000K |
| Color Accuracy: | 85 CRI |
| L70 Lifespan: | 100000 |
| Lumens: | 508 |
| Efficacy: | 59 LPW |

Technical Specifications

Listings

UL Listed:

Suitable for damp locations.

ENERGY STAR® V2.0:

This product is ENERGY STAR® Version 2.0 Certified.

IESNA LM-79 & LM-80 Testing:

RAB LED luminaires have been tested by an independent laboratory in accordance with IESNA LM-79 and LM-80, and have received the Department of Energy "Lighting Facts" label.

Electrical

Driver:

Innovative integrated driver technology with 120V TRIAC and ELV dimming.

Surge Protection:

2.5KV

Optical

Spacing Criteria:

0-180° (along): 1.12

Construction

Lens:

Polycarbonate diffusion lens for smooth light output.

Compatibility:

Low-profile design for maximum compatibility with many 4" incandescent recessed downlight housings.

Ambient Temperature:

Suitable for use in 104° F (40° C) ambient temperatures.

Cold Weather Starting:

The minimum starting temperature is -22° F/-30° C.

Housing:

Professional-grade, die-cast aluminum construction.

Adapters:

Edison E26 medium base adapter included. GU24 socket adapter sold separately.

Installation:

Pre-installed friction clips are included to aid in attaching and securing the 4" DLED to the incandescent housing.

Finish:

Formulated for high-durability and long lasting color.

Green Technology:

Mercury and UV free. RoHS compliant components. Polyester powder coat finish formulated without the use of VOC or toxic heavy metals.

LED Characteristics

Lifespan:

100,000-hour LED lifespan based on IES LM-80 results and TM-21 calculations.

LEDs:

High-output, long-life LEDs with 3 step binning and integrated driver technology.

Color Consistency:

3-step MacAdam Ellipse binning to achieve consistent fixture-to-fixture color.

Other

California Title 24:

DLED4R8 complies with 2013 California Title 24 building and electrical codes as a commercial indoor fixture for general spaces when used with a vacancy sensor and TRIAC dimming control. Select a vacancy sensor using catalog number LVS800. TRIAC dimmer provided by others.

Warranty:

RAB warrants that our LED products will be free from defects in materials and workmanship for a period of ten (10) years from the date of delivery to the end user, including coverage of light output, color stability, driver performance and fixture finish.

Equivalency:

Replaces 50W Par.



37, 57 and 62 Watt SLIM Wallpacks are designed to cover the footprint of most traditional wallpacks. They are suitable for mounting heights from 20' to 30', and replace HID Wattages from 200W MH to 320W MH. These ultra-high efficiency fixtures are available in cutoff or full cutoff models.

Color: Bronze

Weight: 7.5 lbs

Project:
Brett Sawyer - Office

Type:
WP1

Prepared By:
Aaron Keil

Date:
03.22.17

Driver Info

| | |
|--------------|------------------|
| Type: | Constant Current |
| 120V: | 0.31A |
| 208V: | 0.19A |
| 240V: | 0.16A |
| 277V: | 0.14A |
| Input Watts: | 37W |
| Efficiency: | N/A |

LED Info

| | |
|-----------------|--------|
| Watts: | 37W |
| Color Temp: | 3000K |
| Color Accuracy: | 82 CRI |
| L70 Lifespan: | 100000 |
| Lumens: | 2,448 |
| Efficacy: | 67 LPW |

Technical Specifications

Listings

UL Listing:

Suitable for wet locations. Wall Mount only.

IESNA LM-79 & LM-80 Testing:

RAB LED luminaires have been tested by an independent laboratory in accordance with IESNA LM-79 and LM-80, and have received the Department of Energy "Lighting Facts" label.

Construction

Footprint:

Designed to replace RAB HID WP1 wallpacks, both in size and footprint template, so upgrading to LED is easy and seamless.

IP Rating:

Ingress Protection rating of IP66 for dust and water

Cold Weather Starting:

Minimum starting temperature is -40° F (-40° C)

Maximum Ambient Temperature:

Suitable for use in 104°F (40°C) ambient temperatures

Thermal Management:

Superior thermal management with internal Air-Flow fins.

Housing:

Precision die-cast aluminum housing and door frame.

Mounting:

Die-cast back box with four (4) conduit entry points and knockout pattern for junction box or direct wall mounting. Hinged housing and bubble level for easy installation.

Cutoff:

Cutoff (7.5°)

Recommended Mounting Height:

Up to 20 ft.

Lens:

Microprismatic diffusion glass lens reduces glare and has smooth and even light distribution.

Reflector:

Specular thermoplastic.

Gaskets:

The unique design of the tight-lock gasket ensures no water or environmental elements will ever get inside the SLIM.

Finish:

Formulated for high-durability and long lasting color.

Green Technology:

Mercury and UV free. RoHS compliant components. Polyester powder coat finish formulated without the use of VOC or toxic heavy metals.

LED Characteristics

LED:

Long-life, high-efficiency, micro-power, surface mount LEDs; binned and mixed for uniform light output and color.

Lifespan:

100,000-hour LED lifespan based on IES LM-80 results and TM-21 calculations.

Correlated Color Temp. (Nominal CCT):

3000K

Color Stability:

LED color temperature is warranted to shift no more than 200K in CCT over a 5 year period.

Color Consistency:

7-step MacAdam Ellipse binning to achieve consistent fixture-to-fixture color.

Electrical

Driver:

Constant Current, 100-277V. 50/60Hz, 100-277VAC 0.6A, 4kV Surge Protection, 700mA, Power Factor 99.3%.

THD:

7.4% at 120V, 10.1% at 277V

Other

Accessories:

Available accessories include polyshield and wire guard. Click to see all accessories.

California Title 24:

See SLIM37/BL for a 2013 California Title 24 compliant product. Any additional component requirements will be listed in the Title 24 section under technical specifications on the product page.

Patents:

The design of the SLIM™ is protected by patents pending in US, Canada, China, Taiwan and Mexico.

Technical Specifications (continued)

Other

Warranty:

RAB warrants that our LED products will be free from defects in materials and workmanship for a period of five (5) years from the date of delivery to the end user, including coverage of light output, color stability, driver performance and fixture finish.

Country of Origin:

Designed by RAB in New Jersey and assembled in the USA by RAB's IBEW Local 3 workers.

Buy American Act Compliant:

This product is a COTS item manufactured in the United States, and is compliant with the Buy American Act.

Recovery Act (ARRA) Compliant:

This product complies with the 52.225-21 "Required Use of American Iron, Steel, and Manufactured Goods-- Buy American Act-- Construction Materials (October 2010).

GSA Schedule:

Suitable in accordance with FAR Subpart 25.4.

HID Replacement Range:

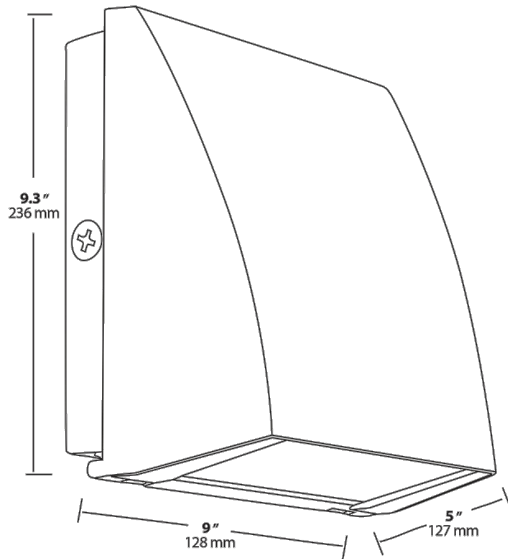
Replaces 200W Metal Halide.

Optical

BUG Rating:

B1 U1 G1

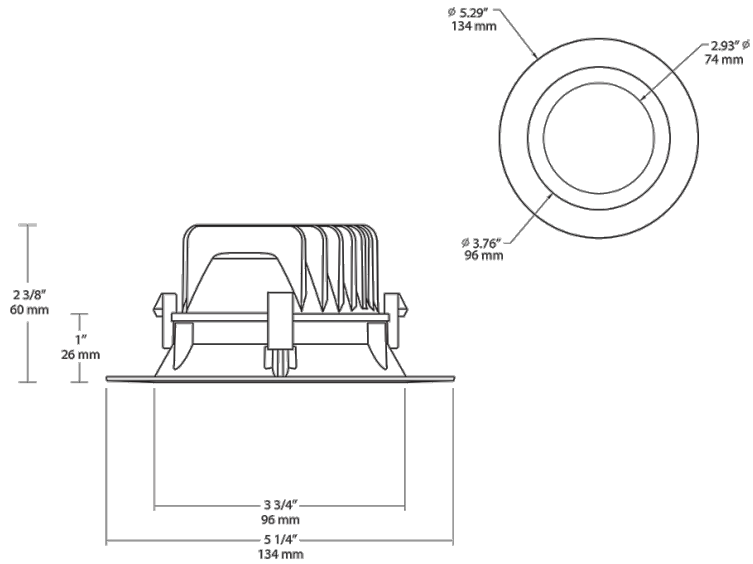
Dimensions



Features

- Covers footprint of most traditional wallpacks
- Easy installation with hinged access, bubble level and multiple conduit entries
- Tight-lock gasket keeps elements out
- 100,000-hour LED lifespan
- 5-Year warranty

Dimensions



Features

- 8W replaces 50W PAR
- Energy savings is \$410 over 100,000 hours
- UL Listed for damp locations
- Triac & ELV dimmable
- Low-profile design ensures maximum compatibility with existing 4" housings
- 10 year warranty