

SYMBOL LIST	
	CW COLD WATER
	HW HOT WATER
	HWR HOT WATER RETURN
	V VENT PIPING ABOVE GRADE
	W WASTE/SOIL
	BALL VALVE
	GATE VALVE
	CHECK VALVE
	PRESSURE REDUCING VALVE
	BACKFLOW PREVENTER
	PIPE CAP
	WATER FIXTURE UNIT VALUE
	SANITARY FIXTURE UNIT VALUE
	CONNECT NEW TO EXISTING
	KEYED NOTE
	FIXTURE MARK/TYPED
	DETAIL 1, SHEET P-2
	VIR VENT THROUGH ROOF

NOTE: SOME SYMBOLS LISTED IN THIS SCHEDULE MAY NOT APPEAR ON DRAWINGS.

### SHEET INDEX

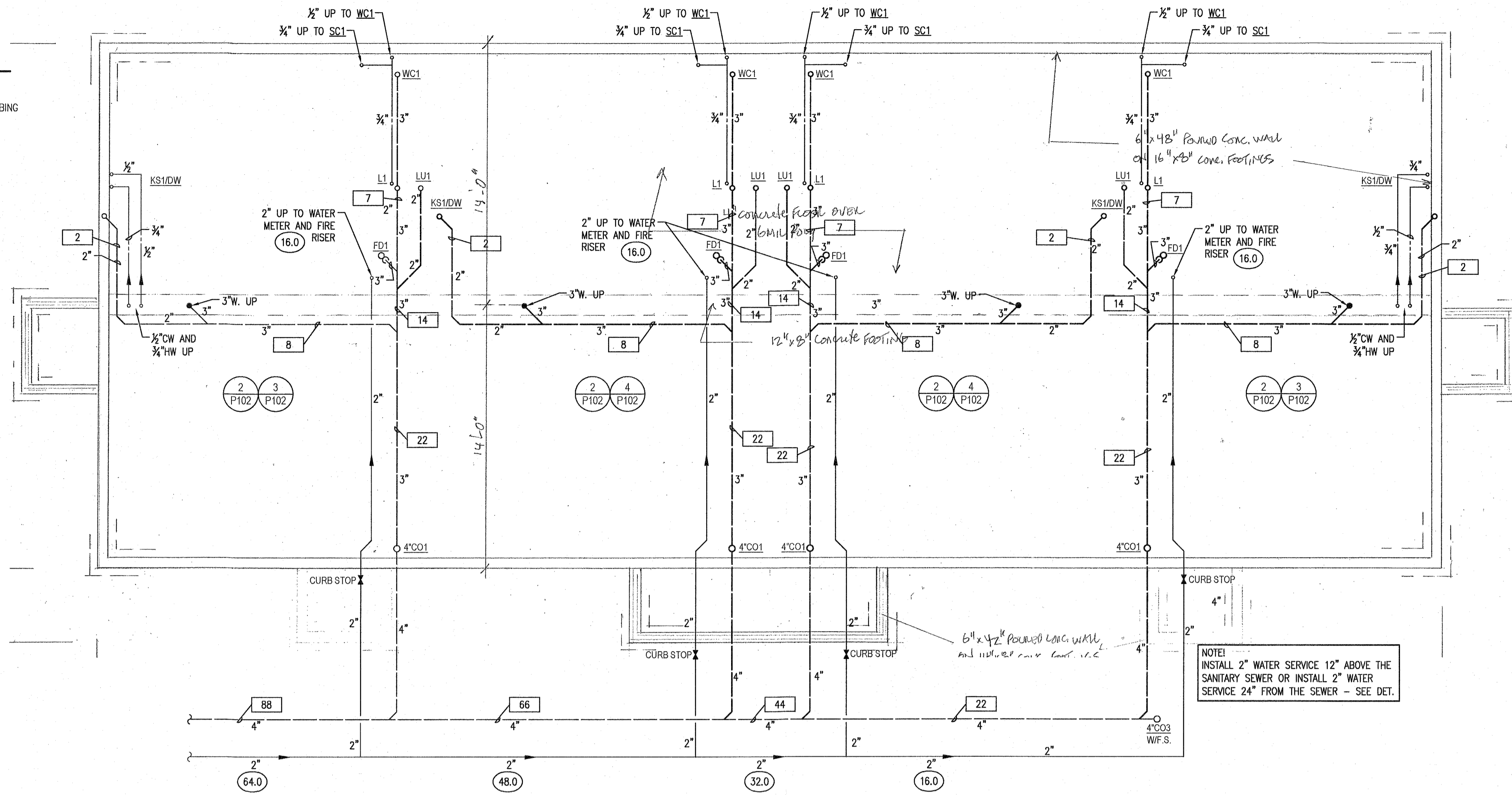
- P101 BELOW GRADE PIPING PLAN AND SITE PLAN - PLUMBING
- P102 FIRST FLOOR PLAN AND ISOMETRICS - PLUMBING
- P103 SECOND FLOOR PLAN AND WATER CALCULATIONS - PLUMBING

### PLUMBING SPECIFICATIONS

- WC1: GERBER - GERVP 21-50216 GPE TOILET WITH K4774- 0 BREVIA RF SEAT WITH SUPPLY AND STOP.
- L1: MODULAR LAV WITH MOEN 64624 LAV FAUCET WITH SUPPLY AND STOP.
- BT1: AKER CM-60-LH OR RH WITH TUB DRAIN, KEE62WOSCH MOEN TUB FAUCET, NO.62370 VALVE WITH T183CP TUB AND SHOWER TRIM.
- KS1: DAYTON - DAYD233211P WITH KEE143255 STRAINERS AND A MOEN 67425 KITCHEN FAUCET.
- FD1: SIOUX CHIEF, NO. 842-4PNR FLOOR DRAIN
- CO1: SIOUX CHIEF NO. 834-ANR CLEANOUT
- WH1: A.O.SMITH ENT 50 GALLON ELECTRIC WATER HEATER.
- LU1: T.B.D.

### PLUMBING NOTES

- ALL WATER HEATERS SHALL HAVE AN APPROVED TEMPERATURE AND PRESSURE RELIEF VALVE WITH PIPING TO WITHIN 6" OF FINISHED FLOOR. DISCHARGE PIPING SHALL DRAIN TO A STATE APPROVED FLOOR DRAIN AND SHALL NOT DISCHARGE TO ANY OTHER FIXTURE SUCH AS A MOP BASIN.
- ALL INTERIOR WATER PIPING ABOVE GROUND SHALL BE TYPE "PEX" TUBING AND FITTINGS AND ALL UNDERGROUND PIPING AND PIPING LOCATED IN WALLS SHALL BE "PEX" WITH AN ASTM F876 OR F877 RATING. USE OF CODE APPROVED COPPER PIPING MAY BE USED IN LIEU OF "PEX" PIPING.
- VALVE ALL FIXTURES, MAINS, BRANCHES, RISERS, AND WATER HEATERS PER WISCONSIN PLUMBING CODE AS STATED IN SPS 382.40.
- ALL VENTS CONNECT TOGETHER 38" ABOVE FLOOR OR HIGHER.
- ALL DRAINAGE, WASTE AND VENTS MATERIAL TO BE SCHEDULE 40 PLASTIC PIPE UNLESS SPECIFIED ON THIS PLAN OTHERWISE.
- ALL MATERIALS SHALL COMPLY WITH SPS 384 IN THE WISCONSIN PLUMBING CODE.
- ALL SOLDER SHALL BE LEAD FREE WITH REQUIRED FLUX.
- ALL HORIZONTAL DRAIN PIPE 4" OR SMALLER SHALL BE INSTALLED AT A 1/4" PER FOOT PITCH.
- ALL PLUMBING FIXTURES AND ACCESSORIES SHALL BE AS APPROVED BY THE STATE OF WISCONSIN.
- ALL P-TRAPS FOR LAVATORIES SHALL BE 1 1/2". (IF 1/4" P-TRAPS ARE USED A 1 1/2" CLEANOUT SHALL BE PROVIDED).
- DO NOT SCALE PLUMBING PLANS FOR INSTALLATION PURPOSES; REFER TO ARCHITECTURAL PLANS FOR ALL DIMENSIONS.
- ALL EQUIPMENT SHALL BE PROVIDED WITH AN APPROPRIATE BACKFLOW DEVICE THAT IS APPROVED BY THE STATE OF WISCONSIN.
- ALL WATER PIPING THAT IS LOCATED UNDER THE FINISHED FLOOR SHALL BE INSTALLED AT A MINIMUM OF 6" BELOW THE BOTTOM OF THE CONCRETE SLAB. INSULATE ALL COLD WATER PIPING THAT PENETRATES THE CONCRETE FLOOR STARTING 6" BELOW THE CONCRETE FLOOR.
- ENSURE TRAP EVAPORATION PROTECTION AS PER SPS 382.32.
- TRACER WIRE: LOCATING REQUIREMENTS - A MEANS TO LOCATE BURIED UNDERGROUND EXTERIOR NON METALLIC SEWERS/MAINS AND WATER SERVICES/MAINS MUST BE PROVIDED WITH TRACER WIRE OR OTHER METHODS IN ORDER TO BE LOCATED IN ACCORD WITH THE PROVISIONS OF THESE CODE SECTIONS AS PER 182.0715(2) OF THE STATUTES.



1 BELOW GRADE PIPING PLAN - PLUMBING  
SCALE: 1/4"=1'-0"

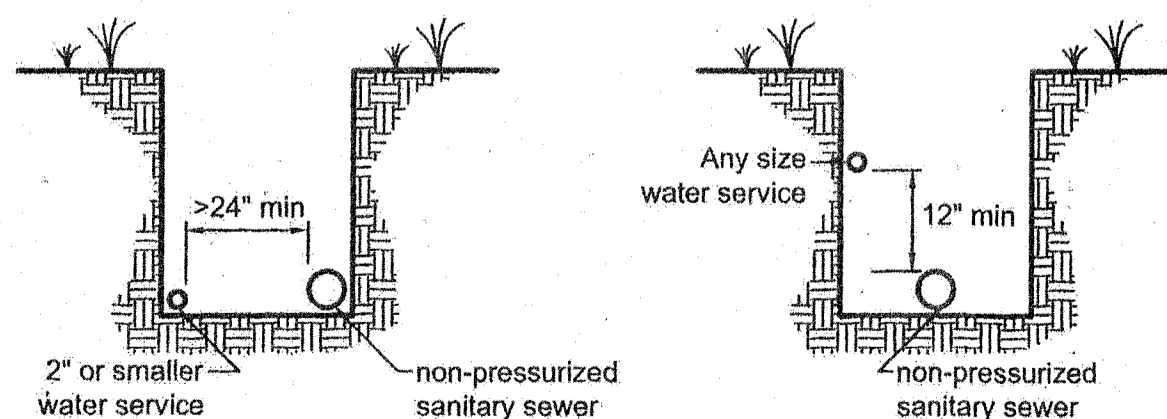
CONDITIONALLY APPROVED  
DEPT. OF SAFETY AND PROFESSIONAL SERVICES  
DIVISION OF INDUSTRY SERVICES

*Adrian Pal*

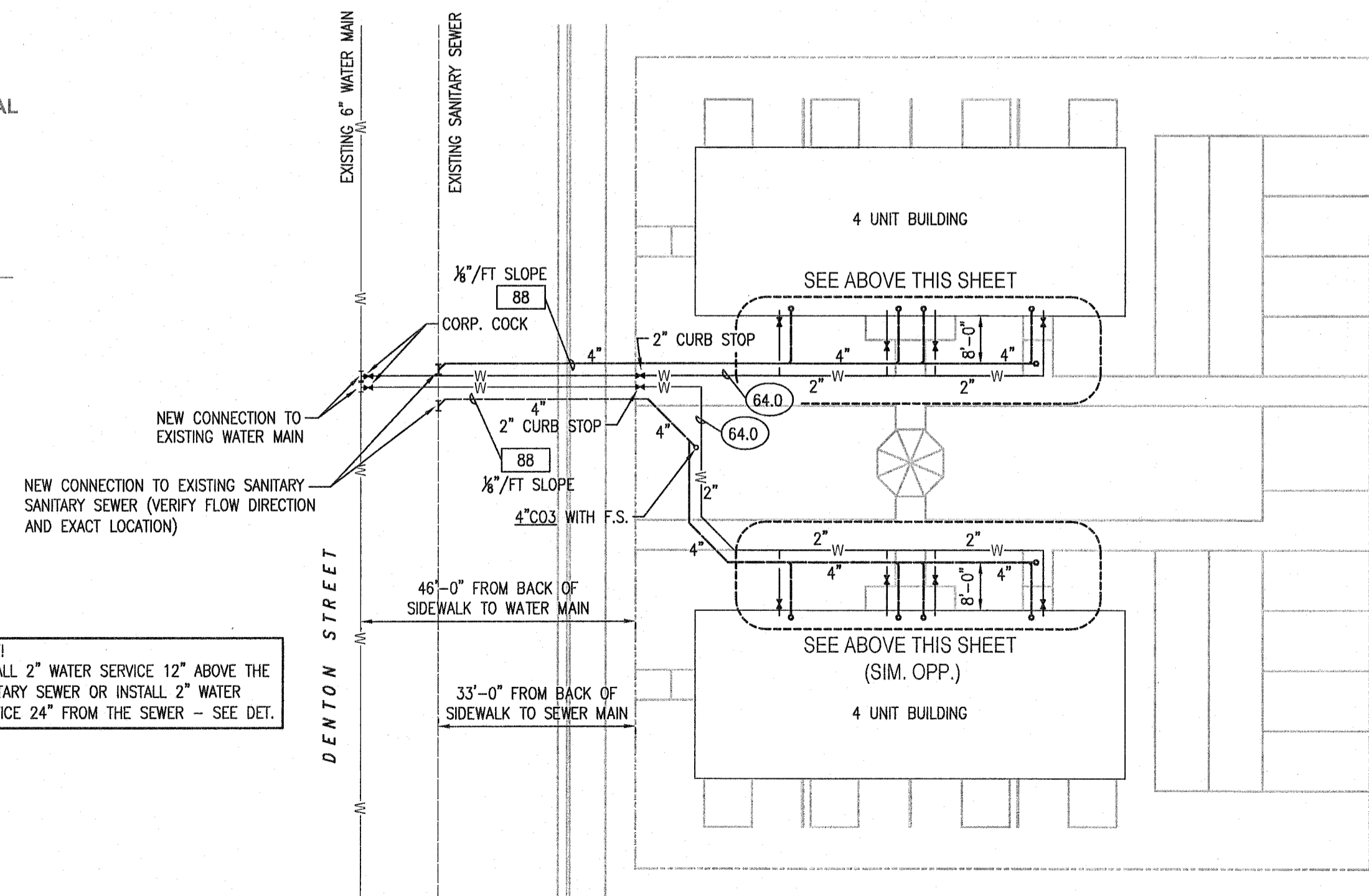
SEE CORRESPONDENCE

PL-072200135  
Related to DIS-062229445  
New Plumbing  
7/26/2022

Exception for Non-pressurized Sanitary Sewer  
Private water mains and water services may be installed less than 5 feet horizontally from a non-pressurized sanitary sewer if any of the following conditions are met:  
The bottom of the water piping is installed at least 12" above the sewer, SPS 382.40 (b) 5. a.  
The water service is 2" or less in diameter & is >24" from the sewer, SPS 382.40 (b) 5. c.  
The sewer is constructed of materials listed in Table 384.30-2, SPS 382.40 (b) 5. b.  
Note: Table 384.30-2 "Underground drain & vent pipe", if using PVC ASTM D3034 is limited to a pipe with a SDR of 26 or less (comparable to PVC Sch 40)



SEWER/WATER SERVICE DETAIL  
NO SCALE

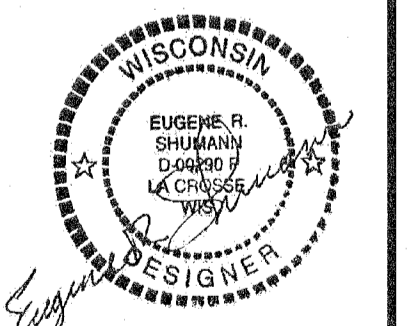


2 SITE PLAN - PLUMBING  
SCALE: 1"=20'-0"

DESIGNER-CONSULTANT OF ENGINEERS  
**SHUMANN & ASSOCIATES, INC.**  
EUGENE R. SHUMANN  
4033 Harmon Circle Road  
La Crosse, WI 54601  
Phone: 608/785-8000  
Fax: 608/785-8228  
Email: es@shumann.com

REVISIONS:

PROJECT: 4-UNIT APARTMENT BUILDING FOR: STEVE SCHLICHT  
DENTON STREET  
LA CROSSE, WISCONSIN



PROJECT: 22-4886  
DRAWN BY: ERS  
DATE: JUNE 09, 2022

BELOW GRADE PIPING PLAN AND SITE PLAN PLUMBING

P101