



**KRAUS-ANDERSON®**  
Construction Company

## Change Order Request

**Project:** 1923025-02  
La Crosse Center Expansion & Renovation  
400 La Crosse Street  
La Crosse, WI 54601

**COR #** 135.00

**Date:** 12/31/2020

**To: Owner** City of La Crosse  
400 La Crosse Street  
La Crosse, WI 54601

**From:** Kraus-Anderson Construction Company  
151 East Wilson Street, Suite 100  
Madison, WI 53703

**PCO #** 200 - RFI 355 - Box Seating Curb Steel

Item #	Description	Vendor	Amount
1	RFI 355	Fowler & Hammer, Inc.	\$1,603.80
<b>Total For Change Order</b>			<b>\$1,603.80</b>

**Approved By:** City of La Crosse

**Signed:** \_\_\_\_\_

**Date:** \_\_\_\_\_

**Submitted By:** Kraus-Anderson Construction Company

**Signed:** DocuSigned by:  
*Peter Linsmeier*

**Date:** 1/2/2021 | 2:59 PM CST

**Accepted By:** I & S Group, Inc.

**Signed:** DocuSigned by:  
*Kevin Bills*  
6867371012384A6...

**Date:** 1/5/2021 | 9:55 AM CST



# REQUEST FOR INFORMATION

DATE: 11/23/2020 UTC  
RFI #: 355

Kraus-Anderson  
1923025-02 - La Crosse Center Expansion & Renovation

**TO:** ISG

**FROM:** Weston Gumbert  
Kraus-Anderson Construction Company

**PHONE:**

**PHONE:** (608) 838-5477

**EMAIL:**

**EMAIL:** weston.gumbert@krausanderson.com

**CC:** Fowler & Hammer, KA, Wieser Brothers,  
Jim Kertis

**DUE BY:** 11/27/2020 UTC

**SUBJECT:** Box Seating Precast Curb

**DRAWING REFERENCE:**  
**SPEC SECTION:**

## QUESTION

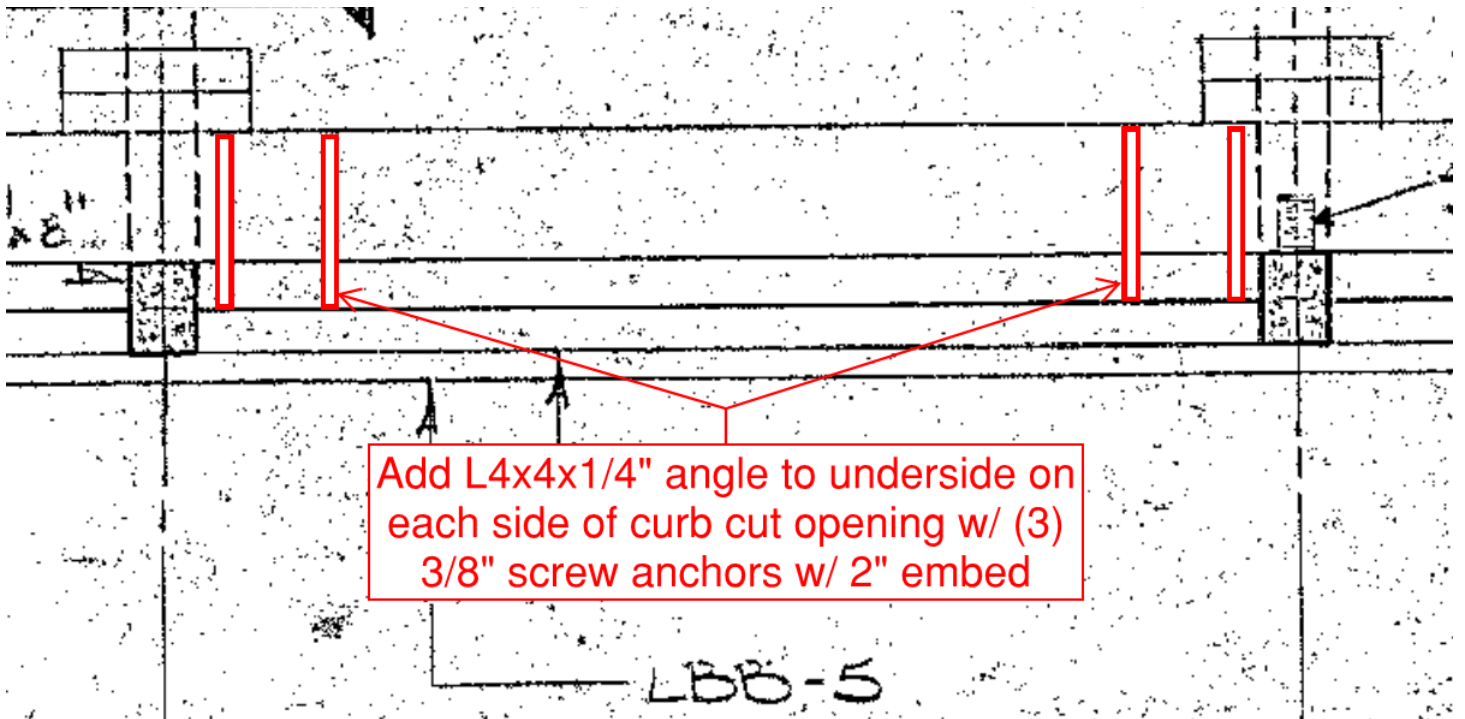
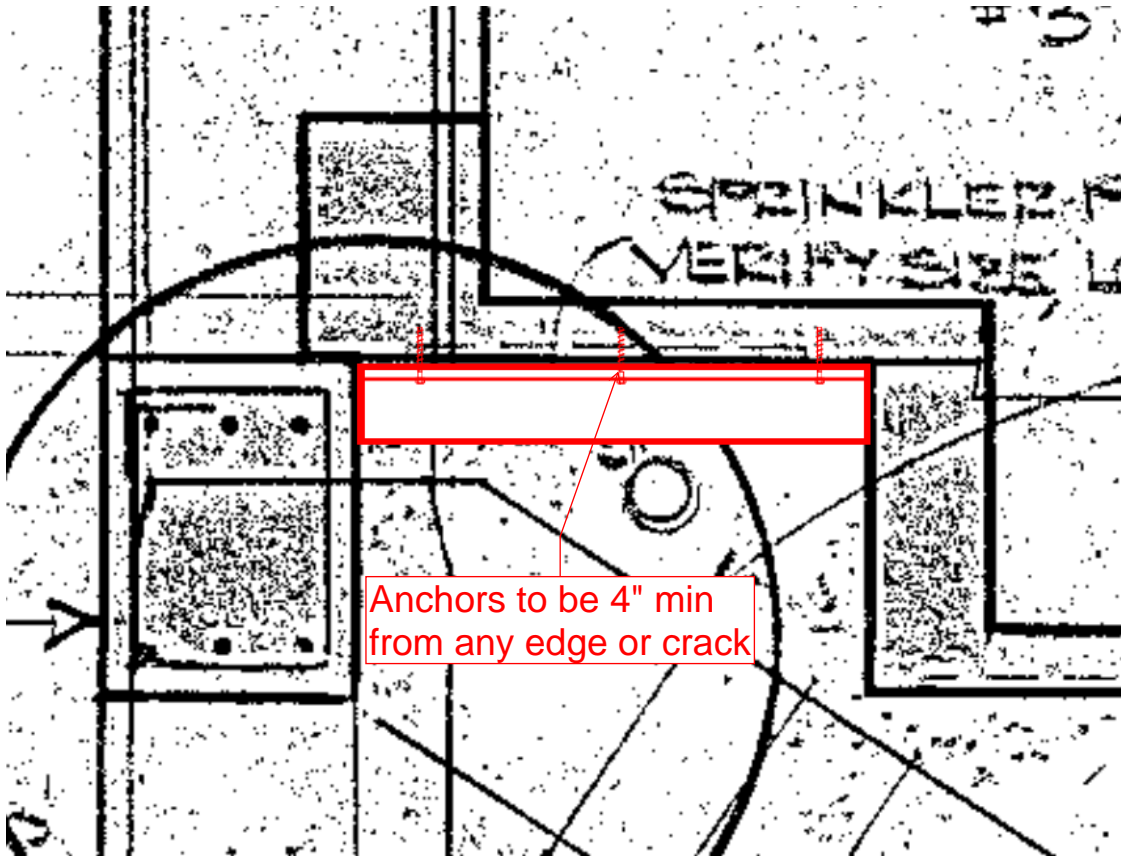
See attached email chain regarding cutting the openings in the existing precast curb at the box seating. There is concern that cutting these openings will affect the integrity of the precast due to the existing cracks in it. The Owner does not approve of leaving the curb in and having a step into the seating area. Please provide a solution(s) to cut the openings and maintain the integrity of the precast.

**SUGGESTION:**

## DRAWINGS

## RESPONSES

DATE	FROM (FIRM)	FROM (CONTACT)
November 24, 2020 at 4:05 PM UTC	I & S Group, Inc.	Dylan Musgjerd
See attached for sketch of proposed solution.		





313 Monitor Street  
 La Crosse, WI 54603  
 Ph : (608)782-6849

**Change Request**

**To:** Peter Linsmeier  
 KRAUS-ANDERSON CONSTRUCTION  
 4125 Terminal Drive  
 Suite 100  
 McFarland, WI 53558  
 Ph: (608)838-5416 Fax: (608)838-5445

**Number:** RFI 355  
**Date:** 12/23/20  
**Job:** 19-LC-9019 \*La Crosse Center  
**Phone:**

**Description:** RFI 355

Source: RFI # 355

We are pleased to offer the following specifications and pricing to make the following changes:

**Add angles @ existing PC Seating  
 includes scanning and angle material**

Work performed by us:					
Description		Quantity	Unit	Unit Price	Price
Metal Fabrications/Specialties	Labor	16.00		\$75.50	\$1,208.00
Metal Fabrications/Specialties	Material				\$150.00
Metal Fabrications/Specialties	Equipment				\$100.00
<b>Subtotal:</b>					\$1,458.00
<b>Subtotal:</b>					\$1,458.00
	Self Performed OHP		\$1,458.00	10.00%	\$145.80
	Subcontractor OHP				\$0.00
<b>Subtotal:</b>					\$145.80
	<del>Bond</del>		<del>\$1,603.80</del>	<del>1.00%</del>	<del>\$16.04</del>
<b>Total:</b>					\$1,619.84
					\$1,603.80

If you have any questions, please contact me at (608)782-6849.

Submitted by: Mike Allen  
 FOWLER & HAMMER INC

Approved by: \_\_\_\_\_  
 Date: \_\_\_\_\_

Cc: File