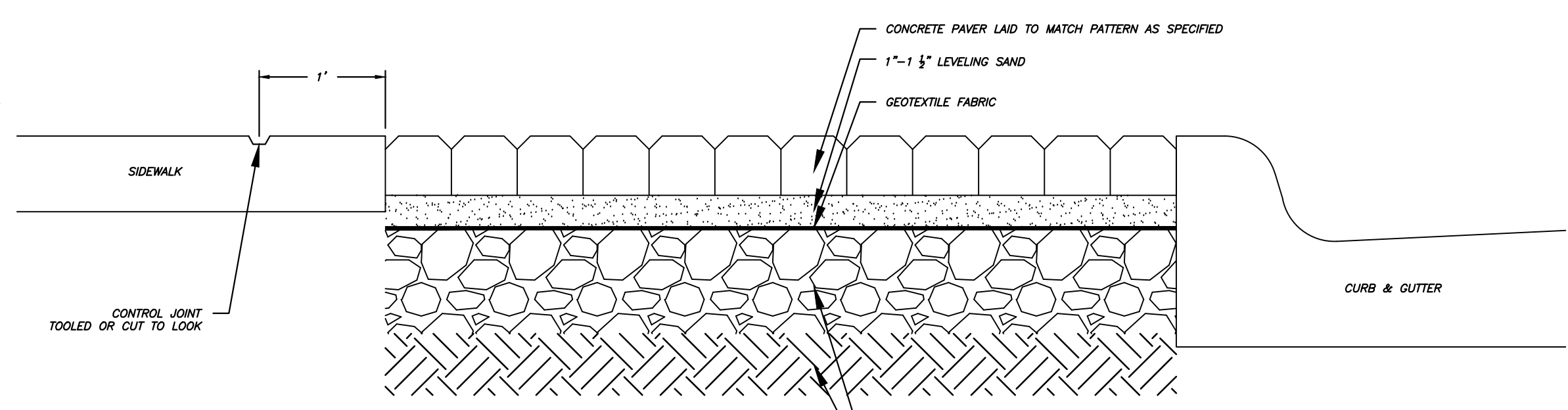
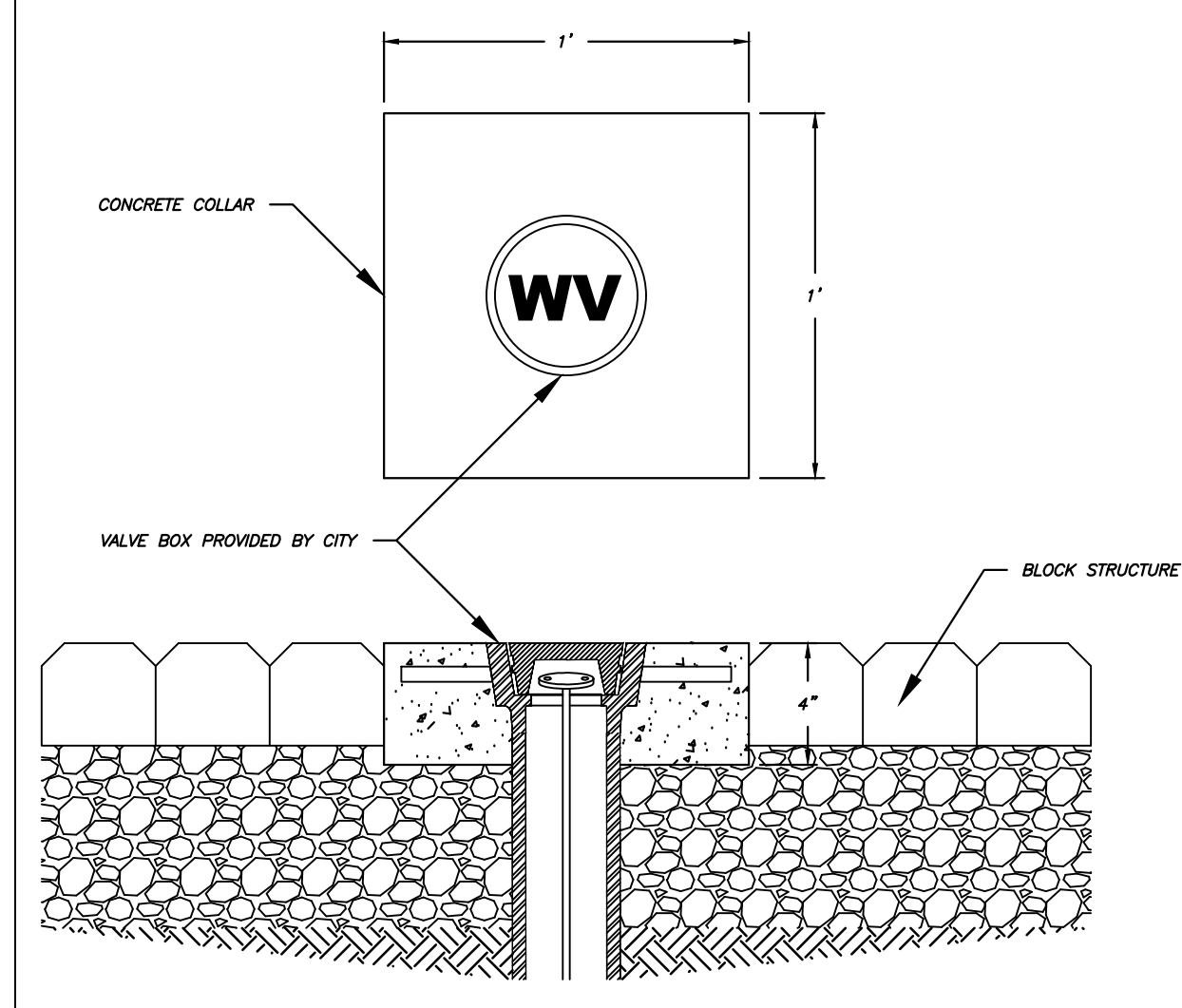
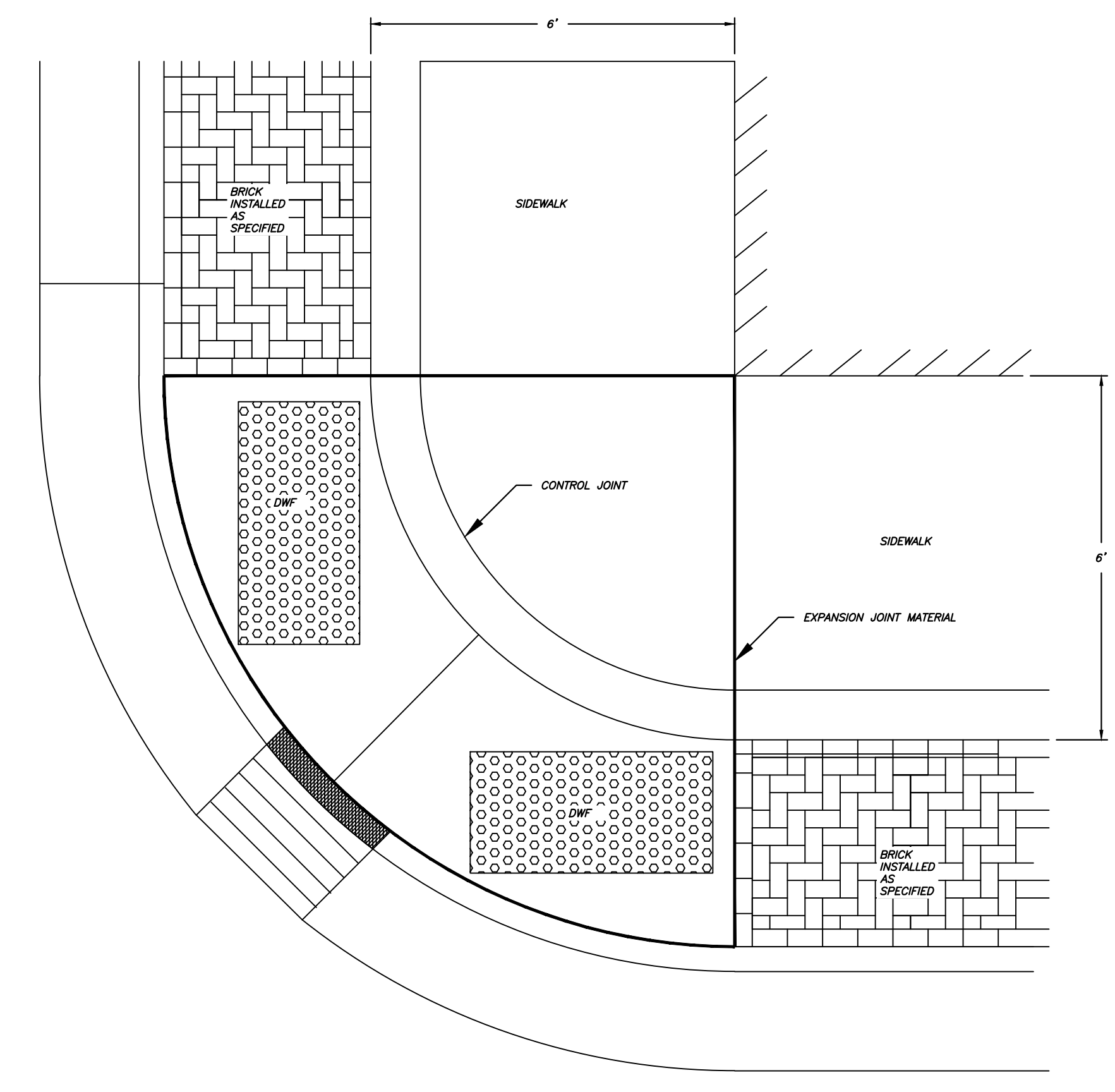
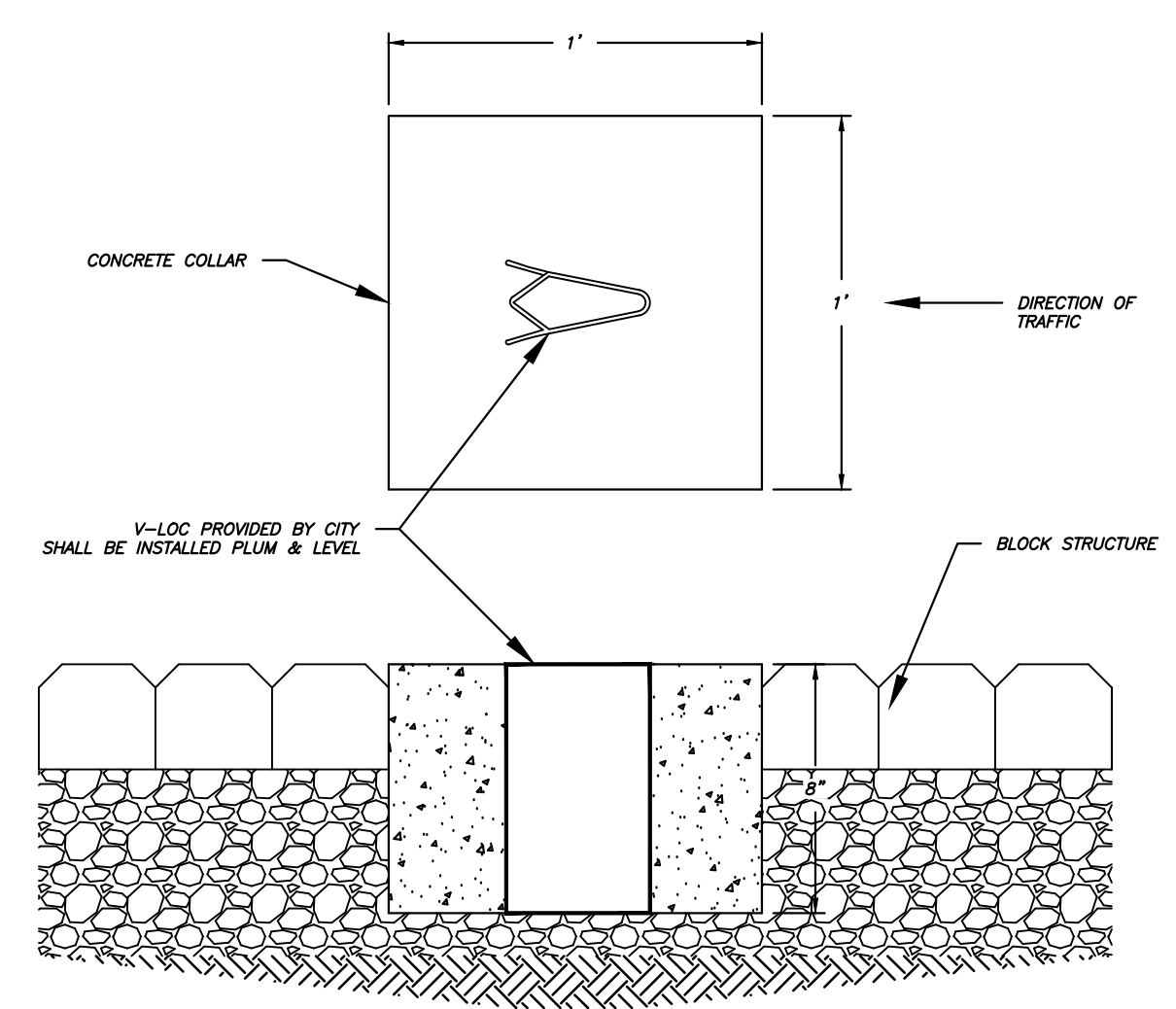
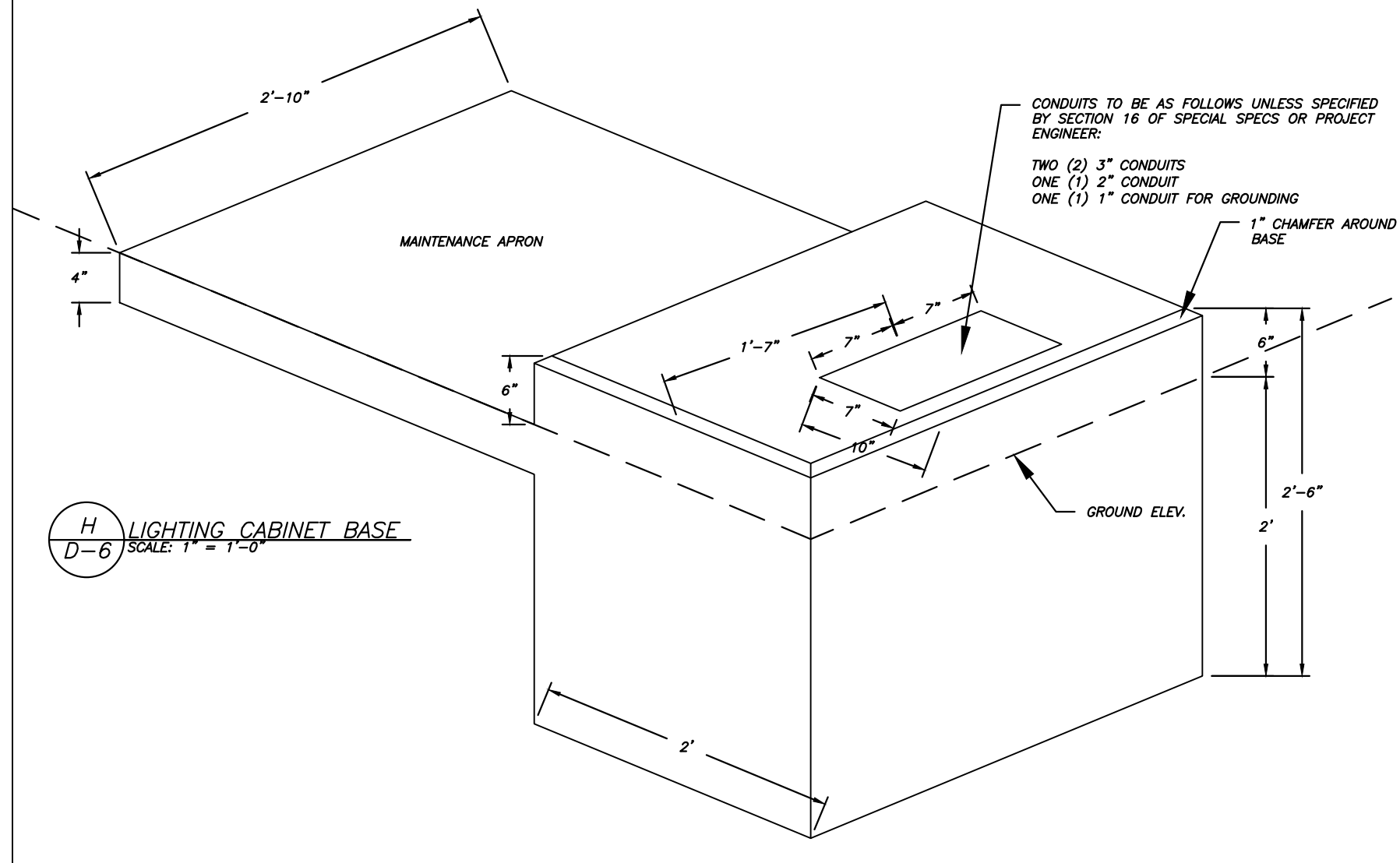


- NOTES:**
- (1) THE MINIMUM DEPTH OF CONDUIT EXITING THE BASE SHALL BE 24". THE MAXIMUM DEPTH OF CONDUIT EXITING THE BASE SHALL BE 30".
 - (2) 2" CONDUIT TO BE INSTALLED WITHIN 6" DIA. OF CENTER.
 - (3) ALL BASES TO BE FORMED AND HAVE A 1" CHAMFER ALL AROUND.
 - (4) CITY WILL PROVIDE ANCHOR BOLTS AND EXPOSURE DIMENSION.
 - (5) ANCHOR RODS SHALL BE ORIENTED PARALLEL TO THE ROADWAY.
 - (6) 3" PREFORMED FILLER AS APPROVED BY ENGINEER.
 - (7) (6) NO. 4 X 6'-6" STEEL REINFORCEMENT.
 - (7) (7) NO. 4 X 5'-1" STEEL REINFORCEMENT @ 1'-0" C-C.



EDF #	DWG NAME: D-6 streetscaping.dwg		
PROJECT No.	STREETSCAPE DETAILS		
LOCATION			
RESOLUTION	DATE		
ENGINEERING DEPT.			
City of La Crosse, Wis.			
FIELD BOOK	SURVEYED	BY	DATE
NUMBER	DRAWN	PRELIMINARY	JOH 02/13/19
	CHECKED	FINAL	MAG 02/13/19
PAGE	APPROVED	REVISIONS	
SHEET No. D-6	TOTAL SHEETS		