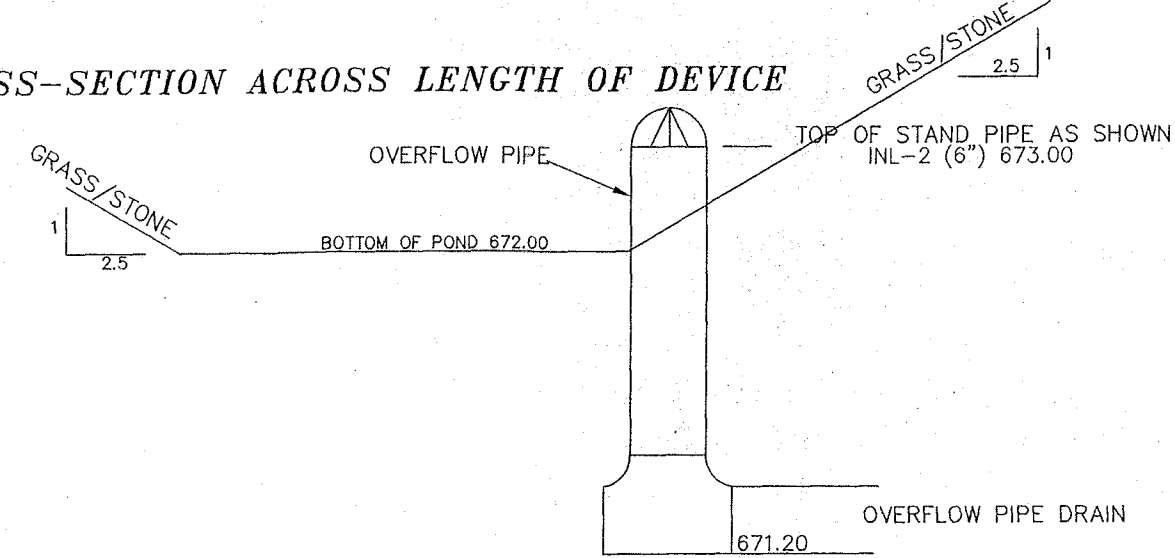


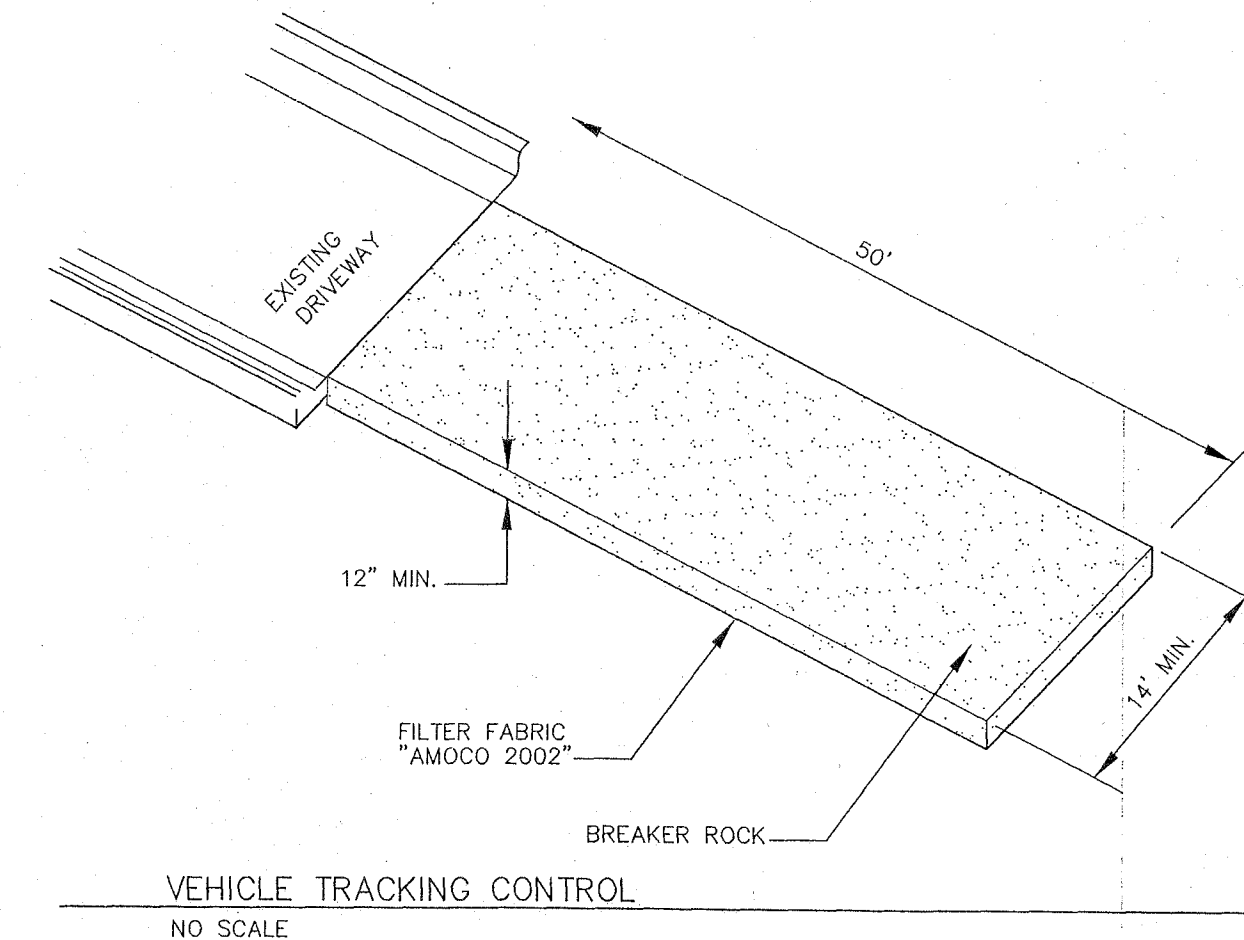
CROSS-SECTION ACROSS LENGTH OF DEVICE



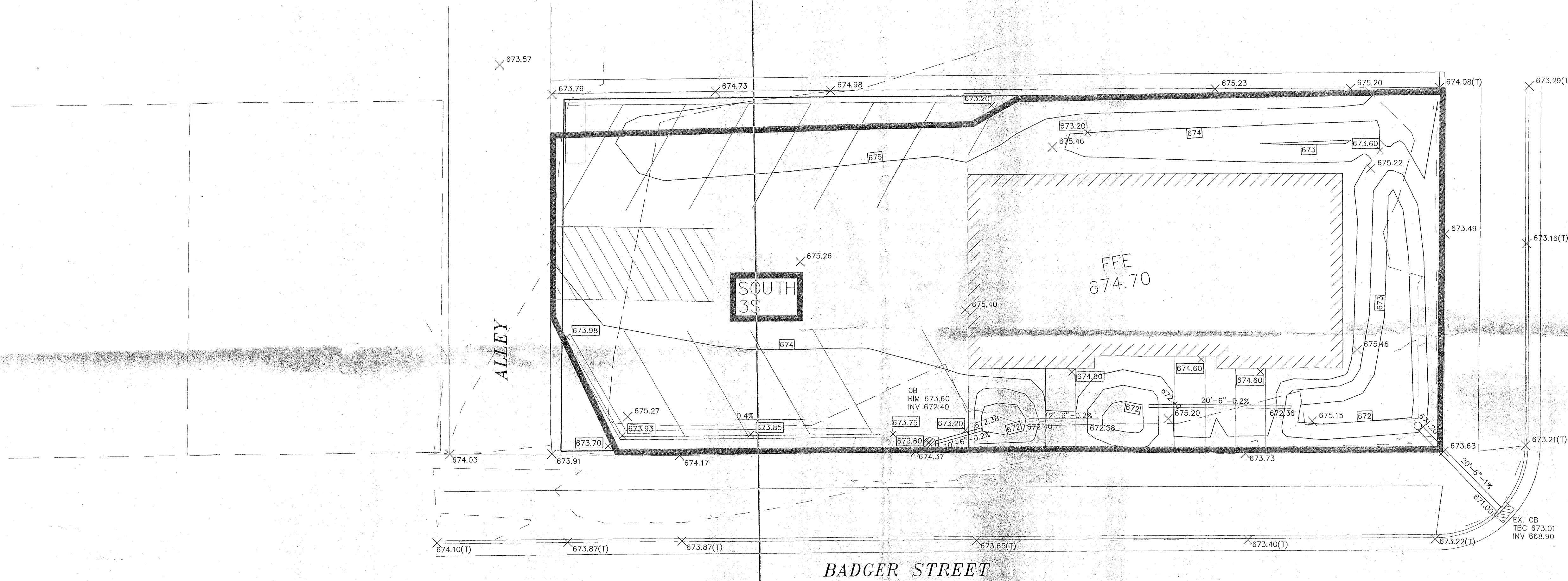
CENTER RISER DETAIL
NO SCALE

UTILITY NOTES

- The location of existing utilities, both underground and overhead are approximate only and have not been independently verified by the owner or its representatives. The contractor shall be responsible for determining the exact location of all existing utilities, whether shown on these plans or not, before commencing work, and shall be fully responsible for any and all damages which might be caused by the contractor's failure to exactly locate and preserve any and all utilities. CALL DIGGERS HOTLINE (800)-242-8511.
- Field verify all locations and invert elevations prior to commencing work.
- All Sanitary Sewer piping shall be PVC meeting ASTM D-3034 SDR 26.
- Water Lines shall be Ductile Iron (3" or Greater), or shall be AWWA C900. Tracer wire for C900 shall be a 1/8" stainless steel with poly coating, or approved equal. The tracer wire shall be securely grounded to the compression fitting at both the watermain and curb stop.
- It shall be the contractor's responsibility to arrange for any necessary inspections by local government that may be required.
- Contractor shall comply completely with the latest standards of OSHA Directives or any other agency having jurisdiction for excavation and trenching procedures. Contractor is responsible for complying with performance criteria as required by OSHA.
- Maintain 1' separation for watermain crossing over sanitary lateral.
- See Plumbing Plans for storm sewer drain connection locations.
- Storm connections shall be watertight with rubber gasket and steel band.
- All storm sewer piping shall have joints wrapped with EZ-Wrap by Press-Seal Gasket Corporation, or equal.



VEHICLE TRACKING CONTROL
NO SCALE

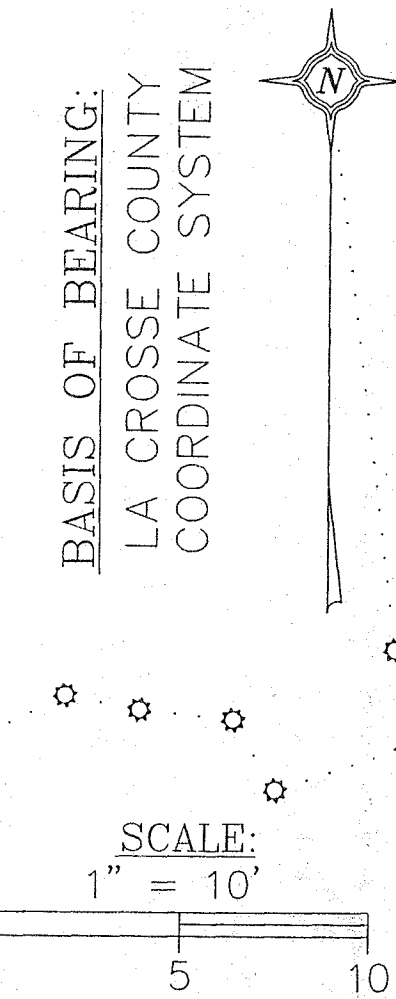


GRADING NOTES

- The location of existing utilities, both underground and overhead are approximate only and have not been independently verified by the owner or its representatives. The contractor shall be responsible for determining the exact location of all existing utilities, whether shown on these plans or not, before commencing work, and shall be fully responsible for any and all damages which might be caused by the contractor's failure to exactly locate and preserve any and all utilities. CALL DIGGERS HOTLINE (800)-242-8511.
 - The underground locations of the public utilities were marked by representatives of those companies. The locations of the customer owned underground utilities were NOT marked.
 - There may be more underground utility installations within the project area that are not shown.
 - It shall be the contractor's responsibility to arrange for any necessary inspections by local government that may be required.
 - Contours shown are for finished surfaces, any adjustment to subgrade is the contractor's responsibility.
 - All disturbed areas that unpaved are to be landscaped or sodded as indicated on the landscape plan.
 - Pavement section consists of 3" Bituminous Pavement and 8" crushed aggregate base course.
 - Spot elevations shall take precedence over contours and slopes shown. However, the contractor shall notify the Engineer if spot elevations do not appear to agree with the contours and slopes labeled. Spot elevations and specific profile information shall be used for establishing the elevation of curbs, driveways, and other utilities.
 - All finished grading shall provide for a smooth transition to ungraded areas.
 - All pvc storm piping shall be minimum SDR 35.
- BUILDING AND WASTE MATERIAL SHALL BE DISPOSED OF IN A LAWFUL MANNER.

BADGER STREET

- LEGEND**
- FOUND 3/4" I.D.I.P. (UNLESS NOTED)
 - ⊙ FOUND P.K. NAIL
 - ⊗ FOUND CHISELED "X"
 - SET 3/4" X 18" IRON BAR
 - TNH TOP NUT HYDRANT
 - ⊕ UTILITY POLE W/GUY WIRE
 - ⊕ HYDRANT
 - UGE EXISTING UNDERGROUND ELECTRIC
 - ⊕ SPOT ELEVATION
 - SILT FENCE
 - ▨ TRACKING CONTROL PAD
 - ⊕ BIOFILTRATION AREA, SEE DETAIL



LA CROSSE
ENGINEERING & SURVEYING CO., INC.
1002 S. 3rd STREET, LA CROSSE, WI 54601
OFFICE: (608) 785-3462
www.lacrosseengineering.com

MUNSON REALTY MANAGEMENT
505 N. 11TH STREET
GRADING & EROSION CONTROL PLAN

DATE: 8/24/2018
FILE: 505 11TH ST
DRAWN BY: FUJ

C-1