

Luminaire Schedule					
Symbol	Qty	Label	Tag	Lum. Watts	Lum. Lumens
□	9	RAR-2-320L-165-4K7-4-BC	OA46C	154.2	11922
□	9	WGH3-80W-5K	WP80	79.2	11581
□	12	WGH3-120W-5K	WP120	118.8	16477
□	2	TFX3 LED 40K Mvolt	FL	186.8	25365
□	1	RAR-2-320L-140-4K7-4-BC	OA40C	133	10680
□	8	WALPAK2C-075UNV750-CO-XX-X_74	WP75C	75.87	9186
□	2	WALPAK2C-050UNV750-CO-XX-X_74	WP50C	48.4	6362

**Weiss Warehouse Site 7-30-21**

Drawn By: Jason Lutz  
 Checked By:  
 Date: 7/30/2021  
 Scale:

**Revisions**

#	Date	Comments



DATE: \_\_\_\_\_ LOCATION: \_\_\_\_\_  
 TYPE: \_\_\_\_\_ PROJECT: \_\_\_\_\_  
 CATALOG #: \_\_\_\_\_

# RATIO Series

AREA/SITE LIGHTER

## FEATURES

- Low profile LED area/site luminaire with a variety of IES distributions for lighting applications such as retail, commercial and campus parking lots
- Featuring Micro Strike Optics which maximizes target zone illumination with minimal losses at the house-side, reducing light trespass issues
- Visual comfort standard
- Compact and lightweight design with low EPA
- 3G rated for high vibration applications including bridges and overpasses
- Control options including photo control, occupancy sensing, NX Distributed Intelligence™ and 7-Pin with networked controls
- Best in class surge protection available



See Certification Specifications

## RELATED PRODUCTS

- [Airo](#)  
 [Cimarron LED](#)  
 [Ratio Family](#)

## CONTROL TECHNOLOGY



## SPECIFICATIONS

### CONSTRUCTION

- Rectilinear form mimics the traditional shoebox form factor keeping a similar but updated style and appearance, ideal for retrofit applications
- Die-cast housing with hidden vertical heat fins that are optimal for heat dissipation while keeping a clean smooth outer surface
- Corrosion resistant, die-cast aluminum housing with powder coat paint finish

### OPTICS

- Entire optical aperture illuminates to create a larger luminous surface area resulting in a low glare appearance without sacrificing optical performance
- 80, 160, 320 or 480 midpower LEDs
- 3000K, 4000K or 5000K (70 CRI) CCT
- Zero uplight at 0 degrees of tilt
- Field rotatable optics

### INSTALLATION

- Standard square arm mount, compatible with B3 drill pattern
- Optional universal mounting block for ease of installation during retrofit applications. Available as an option or accessory for square and round poles.
- Knuckle arm fitter option available for 2-3/8" OD tenon. Max tilt of 60 degrees with 4 degree adjustable increments. (Restrictions apply for 7-pin options)

### ELECTRICAL

- Universal 120-277 VAC or 347-480 VAC input voltage, 50/60 Hz

### ELECTRICAL (CONTINUED)

- Ambient operating temperature -40°C to 40°C
- Drivers have greater than 90% power factor and less than 20% THD
- LED drivers have output power over-voltage, over-current protection and short circuit protection with auto recovery
- Field replaceable surge protection device provides 20kA protection meeting ANSI/IEEE C62.41.2 Category C High and Surge Location Category C3; Automatically takes fixture off-line for protection when device is compromised

### CONTROLS

- Photo control, occupancy sensor and wireless available for complete on/off and dimming control
- 7-pin ANSI C136.41-2013 photocontrol receptacle option available for twist lock photocontrols or wireless control modules (control accessories sold separately)
- 0-10V dimming leads available for use with control devices (provided by others, must specify lead length)
- SiteSync™ wireless control system is available via 7-pin See ordering information and details at: [www.hubbellighting.com/sitesync](http://www.hubbellighting.com/sitesync)
- NX Distributed Intelligence™ available with in fixture wireless control module, features dimming and occupancy sensor
- wiSCAPE® available with in fixture wireless control module, features dimming and occupancy sensor via 7-pin

### CERTIFICATIONS

- DLC® (DesignLights Consortium Qualified), with some Premium Qualified configurations. Please refer to the DLC website for specific product qualifications at [www.designlights.org](http://www.designlights.org)
- Listed to UL1598 and CSA C22.2#250.0-24 for wet locations and 40°C ambient temperatures
- 3G rated for ANSI C136.31 high vibration applications
- Fixture is IP66 rated
- Meets IDA recommendations using 3K CCT configuration at 0 degrees of tilt
- This product qualifies as a "designated country construction material" per FAR 52.225-11 Buy American-Construction Materials under Trade Agreements effective 04/23/2020. See [Buy American Solutions](#)

### WARRANTY

- 5 year limited warranty
- See [HLI Standard Warranty](#) for additional information

KEY DATA	
Lumen Range	3,000–48,000
Wattage Range	25–340
Efficacy Range (LPW)	118–155
Fixture Projected Life (Hours)	L70>60K
Weights lbs. (kg)	13.5–24 (6.1–10.9)

# RATIO SERIES

AREA/SITE LIGHTER

## ORDERING GUIDE

Example: RAR1-80L-25-3K7-2-UNV-ASQ-BL-NXWE-BC

CATALOG #

### ORDERING INFORMATION

Series	# LEDs - Wattage	CCT/CRI	Distribution	Optics Rotation	Voltage		
RAR1 Ratio Area Size 1	80L-25	25W - 3,000 Lumens	3K7	3000K, 70 CRI	2 IES TYPE II 3 IES TYPE III 4W IES TYPE IV 5QW IES TYPE V Blank for no rotation L Optic rotation left R Optic rotation right	UNV	Universal 120-277V
	80L-39	39W - 5,200 Lumens	4K7	4000K, 70 CRI		120	120V
	80L-50	50W - 6,000 Lumens	5K7	5000K, 70 CRI		208	208V
	160L-70	70W - 9,000 Lumens				240	240V
	160L-100	100W - 12,000 Lumens				277	277V
	160L-115	115W - 15,000 Lumens				347	347V
	160L-135	135W - 18,000 Lumens				480	480V
RAR2 Ratio Area Size 2	320L-110	110W - 15,000 Lumens					
	320L-140	140W - 18,000 Lumens					
	320L-165	165W - 21,000 Lumens					
	480L-185	185W - 24,000 Lumens					
	480L-210	210W - 27,000 Lumens					
	480L-240	240W - 30,000 Lumens					
	480L-255	255W - 36,000 Lumens					
	480L-295	295W - 42,000 Lumens					
	480L-340	340W - 48,000 Lumens					

Mounting	Color	Control Options Network	Options
ASQ Arm mount for square pole/flat surface	BLT Black Matte Textured	NXWE NX Wireless Enabled (module + radio)	BC Backlight control
ASQU Universal arm mount for square pole/flat surface	BLS Black Gloss Smooth	NXSPW_F NX Wireless, PIR Occ. Sensor, Daylight Harvesting <sup>2</sup>	CD Continuous dimming
<b>Mounting Round Poles</b>			
A_ Arm mount for round pole <sup>1</sup>	DBT Dark Bronze Matte Textured	NXSP_F NX, PIR Occ. Sensor, Daylight Harvesting <sup>2</sup>	F Fusing (must specify voltage)
A_U Universal arm mount for round pole <sup>1</sup>	DBS Dark Bronze Gloss Smooth	<b>Control Options Other</b>	
<b>Mounting Other</b>			
WB Wall bracket	GTT Graphite Matte Textured	SCP-40F Programmable occupancy sensor <sup>3</sup>	TB Terminal block
MAF Mast arm fitter for 2-3/8" OD horizontal arm	LGS Light Grey Gloss Smooth	7PR 7-Pin twist lock receptacle	2PF 2 power feed with 2 drivers <sup>3</sup>
K Knuckle	PSS Platinum Silver Smooth	7PR-SC 7-Pin receptacle with shorting cap	
	WHT White Matte Textured	7PR-MD40F Low voltage sensor for 7PR	
	WHS White Gloss Smooth	7PR-TL 7-Pin PCR with photocontrol	
	VGT Verde Green Textured		
	<b>Color Option</b>		
	CC Custom Color		

- Notes:
- 1 Replace "\_" with "3" for 3.5"-4.13" OD pole, "4" for 4.18"-5.25" OD pole, "5" for 5.5"-6.5" OD pole
  - 2 Replace "\_" with "14" for up to 14' mounting height, "30F" for 15-30' mounting height
  - 3 Not available with 25, 50, 255, 295 & 340W configurations
  - 4 At least one SCPREMOTE required to program SCP motion sensor

### STOCK ORDERING INFORMATION

Catalog Number	Lumens	Wattage	LED Count	CCT/CRI	Voltage	Distribution	Mounting	Finish
RAR1-100-4K-3	12,000	100W	160L	4000K/70CRI	120-277V	Type 3	Square Arm	Bronze
RAR1-100-4K-4W	12,000	100W	160L	4000K/70CRI	120-277V	Type 4W	Square Arm	Bronze
RAR1-135-4K-3	18,000	135W	160L	4000K/70CRI	120-277V	Type 3	Square Arm	Bronze
RAR1-135-4K-4W	18,000	135W	160L	4000K/70CRI	120-277V	Type 4W	Square Arm	Bronze
RAR2-165-4K-3	21,000	165W	320L	4000K/70CRI	120-277V	Type 3	Square Arm	Bronze
RAR2-165-4K-4W	21,000	165W	320L	4000K/70CRI	120-277V	Type 4W	Square Arm	Bronze

# RATIO SERIES

AREA/SITE LIGHTER

## OPTIONS AND ACCESSORIES - STOCK (ORDERED SEPARATELY)

Catalog Number	Description
<input type="checkbox"/> RARRPA3DB	Round pole adapter 3.5" to 4.13" for ASQ arm, 3.5" to 4.13" OD pole, dark bronze finish
<input type="checkbox"/> RARA3UDB	Universal mount for square pole or round pole 3.5" to 4.13", dark bronze finish
<input type="checkbox"/> RARBC80L	Ratio blacklight control 80L
<input type="checkbox"/> RARBC160L	Ratio blacklight control 160L
<input type="checkbox"/> RARBC320L	Ratio blacklight control 320L
<input type="checkbox"/> RARBC480L	Ratio blacklight control 480L

## ACCESSORIES AND REPLACEMENT PARTS - MADE TO ORDER

Catalog Number	Description
<input type="checkbox"/> RAR-ASQU-XX	Universal arm mount for square pole/flat surface <sup>2</sup>
<input type="checkbox"/> RAR-A_U-XX	Universal arm mount for round poles <sup>1,2</sup>
<input type="checkbox"/> RAR-RPA_-XX	Round pole adapter <sup>1,2</sup>
<input type="checkbox"/> SETAVP-XX	4" square pole top tenon adapter, 2 3/8" OD slipfitter <sup>2</sup>
<input type="checkbox"/> RETAVP-XX	4" round pole top tenon adapter; 2 3/8" OD slipfitter for max. Four fixtures (90o); order 4" round pole adapters separately <sup>2</sup>
<input type="checkbox"/> BIRD-SPIKE-3	Ratio size 1 bird deterrent/spikes
<input type="checkbox"/> BIRD-SPIKE-4	Ratio size 2 bird deterrent/spikes
<input type="checkbox"/> RARWB-XX	Wall bracket - use with Mast Arm Fitter or Knuckle <sup>2</sup>

1 Replace "-" with "3" for 3.5"-4.13" OD pole, "4" for 4.18"-5.25" OD pole, "5" for 5.5"-6.5" OD pole

2 Replace "XX" with desired color/paint finish

## CONTROLS

### Control Options

#### Standalone

<b>SW7PR</b>	SiteSync™ on fixture module via 7PR
<b>SWUSB</b>	SiteSync™ Software on USB
<b>SWTAB</b>	SiteSync™ Windows Tablet
<b>SWBRG</b>	SiteSync™ Wireless Bridge Node
<b>SWFC</b>	SiteSync™ Field Commission Serve
<b>SCPREMOTE</b>	Order at least one per project location to program and control

#### Networked – Wireless

<b>WIR-RME-L</b>	wiSCAPE External Fixture Module <sup>1,2</sup>
------------------	--

#### NX Networked – Wireless

<b>NXOFM-1R1D-UNV</b>	NX Wireless, Daylight Harvesting, BLE, 7 pin twisted lock
-----------------------	---

Notes:

- 1 Works with external networked photosensor
- 2 wiSCAPE Gateway required for system programming

# RATIO SERIES

AREA/SITE LIGHTER

## PERFORMANCE DATA

Description	Nominal Wattage	System Watts	Dist. Type	5K (5000K NOMINAL 70 CRI)					4K (4000K NOMINAL 70 CRI)					3K (3000K NOMINAL 80 CRI)				
				Lumens	LPW	B	U	G	Lumens	LPW	B	U	G	Lumens	LPW	B	U	G
RAR1	25	25.4	2	3438	135	1	0	1	3445	136	1	0	1	3240	128	1	0	1
			3	3460	136	1	0	1	3467	136	1	0	1	3260	128	1	0	1
			4W	3406	134	1	0	1	3412	134	1	0	1	3209	126	1	0	1
			5QW	3483	137	2	0	1	3490	137	2	0	1	3282	129	2	0	1
	39	39	2	5263	139	1	0	2	5273	139	1	0	2	4960	131	1	0	2
			3	5297	139	1	0	2	5308	140	1	0	2	4991	131	1	0	2
			4W	5200	137	1	0	2	5210	137	1	0	2	4900	129	1	0	2
			5QW	5333	140	3	0	1	5344	141	3	0	1	5025	132	3	0	1
	50	49.8	2	6310	127	1	0	2	6323	127	1	0	2	5946	120	1	0	2
			3	6349	128	1	0	2	6362	128	1	0	2	5983	120	1	0	2
			4W	6233	125	1	0	2	6245	126	1	0	2	5873	118	1	0	2
			5QW	6392	129	3	0	1	6405	129	3	0	1	6023	121	3	0	1
	70	68.4	2	9486	139	1	0	2	9505	139	1	0	2	8938	131	1	0	2
			3	9544	140	1	0	2	9563	140	1	0	2	8993	131	1	0	2
			4W	9395	137	1	0	2	9414	138	1	0	2	8853	129	1	0	2
			5QW	9608	140	4	0	2	9628	141	4	0	2	9054	132	4	0	2
	100	90.0	2	11976	133	2	0	2	12000	133	2	0	2	11285	125	2	0	2
			3	12050	134	2	0	2	12074	134	2	0	2	11354	126	2	0	2
			4W	11861	132	2	0	2	11885	132	2	0	2	11177	124	2	0	2
			5QW	12131	135	4	0	2	12155	135	4	0	2	11431	127	4	0	2
	115	109.7	2	15572	142	2	0	2	15494	141	2	0	2	14871	136	2	0	2
			3	15833	144	2	0	2	15754	144	2	0	2	15121	138	2	0	2
			4W	15281	139	2	0	3	15205	139	2	0	3	14623	133	2	0	3
			5QW	15732	143	4	0	2	15653	143	4	0	2	15024	137	4	0	2
	135	133.3	2	17971	135	3	0	3	17881	134	3	0	3	17163	129	3	0	3
			3	18272	137	2	0	2	18181	136	2	0	2	17450	131	2	0	2
			4W	17635	132	2	0	3	17547	132	2	0	3	16876	127	2	0	3
			5QW	18156	136	4	0	2	18065	136	4	0	2	17339	130	4	0	2

RAR2 Performance Data on next page

\* Lumen values are from photometric test performed in accordance with IESNA LM-79-08. Data is considered to be representative of the configurations shown. Actual performance may differ as a result of end-user environment and application.

# RATIO SERIES

AREA/SITE LIGHTER

## PERFORMANCE DATA

Description	Nominal Wattage	System Watts	Dist. Type	5K (5000K NOMINAL 70 CRI)					4K (4000K NOMINAL 70 CRI)					3K (3000K NOMINAL 80 CRI)				
				Lumens	LPW	B	U	G	Lumens	LPW	B	U	G	Lumens	LPW	B	U	G
RAR2	110	100.3	2	15326	153	2	0	3	15357	153	2	0	3	14442	144	2	0	3
			3	15421	154	2	0	3	15452	154	2	0	3	14531	145	2	0	3
			4W	15180	151	2	0	2	15210	152	2	0	2	14304	143	2	0	2
			5QW	15525	155	4	0	2	15556	155	4	0	2	14629	146	4	0	2
	140	133.2	2	19395	146	2	0	3	19434	146	2	0	3	18276	137	2	0	3
			3	19515	147	2	0	3	19554	147	2	0	3	18389	138	2	0	3
			4W	19210	144	2	0	3	19248	145	2	0	3	18101	136	2	0	3
			5QW	19647	148	5	0	3	19686	148	5	0	3	18513	139	5	0	3
	165	153.6	2	21651	141	3	0	3	21695	141	3	0	3	20402	133	3	0	3
			3	21785	142	3	0	3	21828	142	3	0	3	20527	134	3	0	3
			4W	21444	140	3	0	3	21487	140	3	0	3	20206	132	3	0	3
			5QW	21932	143	5	0	3	21976	143	5	0	3	20666	135	5	0	3
	185	174.5	2	26046	149	3	0	3	26098	150	3	0	3	24543	141	3	0	3
			3	26207	150	3	0	3	26259	150	3	0	3	24694	142	3	0	3
			4W	25797	148	3	0	4	25849	148	3	0	4	24308	139	3	0	4
			5QW	26384	151	5	0	3	26437	152	5	0	3	24861	143	5	0	3
	210	198.2	2	28848	145	3	0	4	28906	146	3	0	4	27184	137	3	0	4
			3	29027	146	3	0	4	29085	147	3	0	4	27351	138	3	0	4
			4W	28572	144	3	0	4	28630	144	3	0	4	26924	136	3	0	4
			5QW	29222	147	5	0	4	29281	148	5	0	4	27536	139	5	0	4
	240	226.9	2	32087	141	3	0	4	32151	142	3	0	4	30235	133	3	0	4
			3	32285	142	3	0	4	32350	143	3	0	4	30422	134	3	0	4
			4W	31780	140	3	0	4	31844	140	3	0	4	29946	132	3	0	4
			5QW	32503	143	5	0	4	32568	144	5	0	4	30627	135	5	0	4
	255	257.0	2	37040	144	3	0	4	36854	143	3	0	4	35373	138	3	0	4
			3	37660	147	3	0	4	37472	146	3	0	4	35966	140	3	0	4
			4W	36347	141	3	0	5	36166	140	3	0	5	34782	135	3	0	5
			5QW	37420	146	5	0	4	37233	145	5	0	4	35736	139	5	0	4
	295	294.0	2	41733	142	3	0	4	41524	141	3	0	4	39855	136	3	0	4
			3	42432	144	3	0	4	42220	144	3	0	4	40523	138	3	0	4
			4W	40953	139	3	0	5	40748	139	3	0	5	39190	133	3	0	5
			5QW	42162	143	5	0	4	41951	143	5	0	4	40264	137	5	0	4
	340	347.1	2	48392	139	4	0	5	48150	139	4	0	5	46215	133	4	0	5
			3	49203	142	3	0	4	48957	141	3	0	4	46989	135	3	0	4
			4W	47488	137	4	0	5	47261	136	4	0	5	45443	131	4	0	5
			5QW	48889	141	5	0	5	48645	140	5	0	5	46689	135	5	0	5

\* Lumen values are from photometric test performed in accordance with IESNA LM-79-08. Data is considered to be representative of the configurations shown. Actual performance may differ as a result of end-user environment and application.

# RATIO SERIES

AREA/SITE LIGHTER

## ELECTRICAL DATA

# OF LEDS	Nominal Wattage	Input Voltage	Oper. Current (Amps)	System Power (Watts)
RAR1	25	120	0.21	25.4
		208	0.12	
		240	0.11	
		277	0.09	
	39	120	0.32	38.0
		208	0.18	
		240	0.16	
		277	0.14	
		347	0.11	
		480	0.08	
	50	120	0.42	49.8
		208	0.24	
		240	0.21	
		277	0.18	
	70	120	0.57	68.4
		208	0.33	
		240	0.29	
		277	0.25	
	100	120	0.75	90.0
		208	0.43	
		240	0.38	
		277	0.32	
	115	120	0.91	109.7
		208	0.53	
		240	0.46	
		277	0.40	
		347	0.32	
		480	0.23	
135	120	1.11	133.3	
	208	0.64		
	240	0.56		
	277	0.48		
	347	0.38		
		480	0.28	

# OF LEDS	Nominal Wattage	Input Voltage	Oper. Current (Amps)	System Power (Watts)
RAR2	110	120	0.84	100.3
		208	0.48	
		240	0.42	
		277	0.36	
	140	120	1.11	133.2
		208	0.64	
		240	0.56	
		277	0.48	
	165	120	1.28	153.6
		208	0.74	
		240	0.64	
	185	120	1.45	174.5
		208	0.84	
		240	0.73	
	210	120	1.65	198.3
		208	0.95	
		240	0.83	
		277	0.72	
	240	120	1.89	226.9
		208	1.09	
		240	0.95	
		277	0.82	
	255	120	2.14	257.0
		208	1.24	
		240	1.07	
		277	0.93	
		347	0.74	
	295	120	2.45	294.0
		208	1.41	
		240	1.23	
		277	1.06	
		347	0.85	
		480	0.61	
	340	120	2.89	347.1
		208	1.67	
		240	1.45	
277		1.25		
347		1.00		
		480	0.72	

## LUMINAIRE AMBIENT TEMPERATURE FACTOR (LATF)

Ambient Temperature		Lumen Multiplier
0° C	32° F	1.03
10° C	50° F	1.01
20° C	68° F	1.00
25° C	77° F	1.00
30° C	86° F	0.99
40° C	104° F	0.98
50° C	122° F	0.97

Use these factors to determine relative lumen output for average ambient temperatures from 0-40°C (32-104°F).

## PROJECTED LUMEN MAINTENANCE

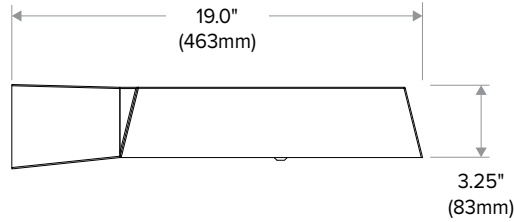
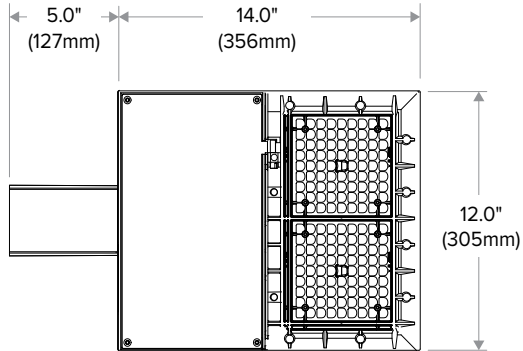
Ambient Temperature	OPERATING HOURS					
	0	25,000	TM-21-11 L90 36,000	50,000	100,000	L70 (Hours)
25°C / 77°F	1.00	0.97	0.95	0.93	0.86	238,000
40°C / 104°F	0.99	0.96	0.95	0.93	0.85	225,000

# RATIO SERIES

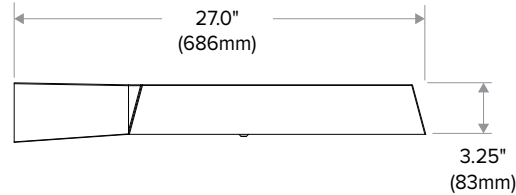
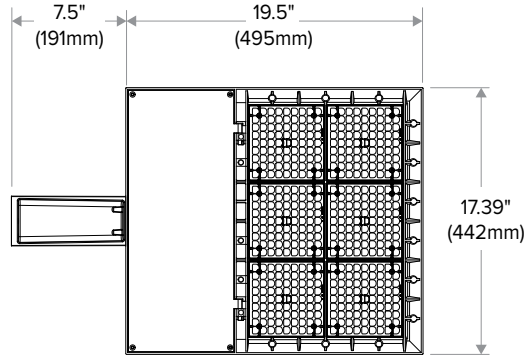
AREA/SITE LIGHTER

## DIMENSIONS

RAR1

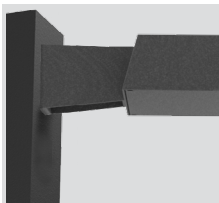


RAR2



## ADDITIONAL INFORMATION

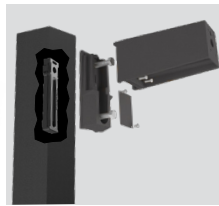
### MOUNTING



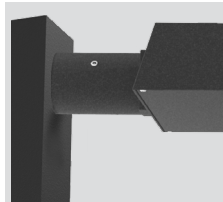
**Arm Mount** – Fixture ships with integral arm for ease of installation. Compatible with Hubbell Outdoor B3 drill pattern.



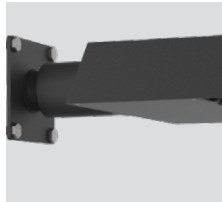
**Knuckle** – Knuckle mount 15° aiming angle increments for precise aiming and control, fits 2-3/8" tenons or pipes.



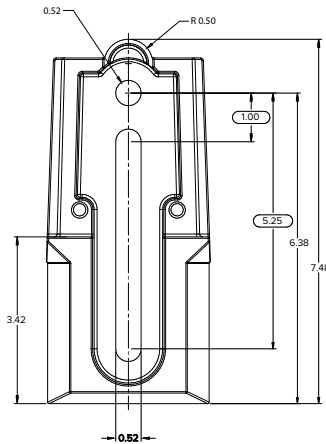
**Universal Mounting** – Universal mounting block for ease of installation. Compatible with drill patterns from 2.5" to 4.5"



**MAF** – Fits 2-3/8" OD arms Roadway applications.



**Wall Mount** – Wall mount bracket designed for building mount applications.





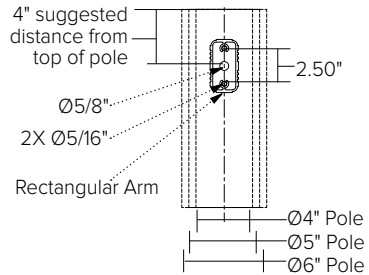
# RATIO SERIES

AREA/SITE LIGHTER

## ADDITIONAL INFORMATION (CONT'D)

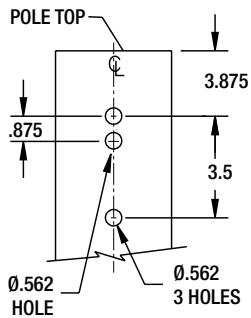
### ARM MOUNT (ASQ)

Compatible with Pole drill pattern B3



### UNIVERSAL MOUNTING (ASQU)

Compatible with pole drill pattern S2



## SITESYNC 7-PIN MODULE



SW7PR



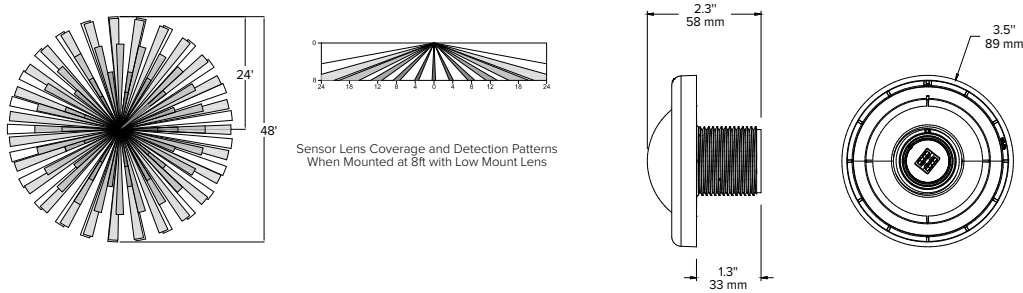
- SiteSync features in a new form
- Available as an accessory for new construction or retrofit applications (with existing 7-Pin receptacle)

# RATIO SERIES

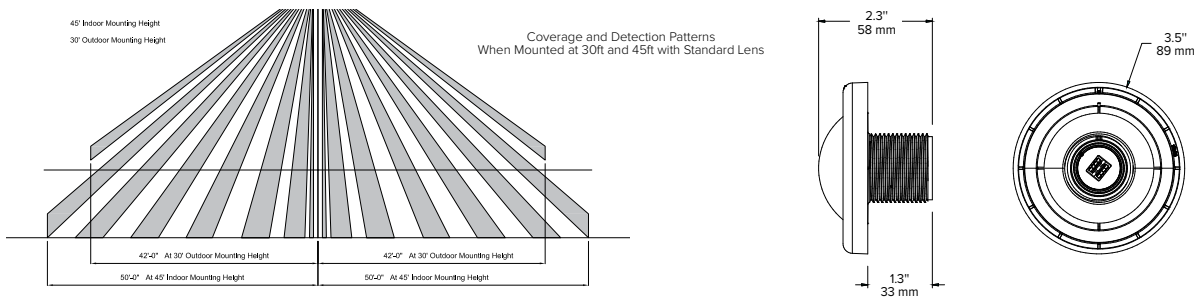
AREA/SITE LIGHTER

## ADDITIONAL INFORMATION (CONT'D)

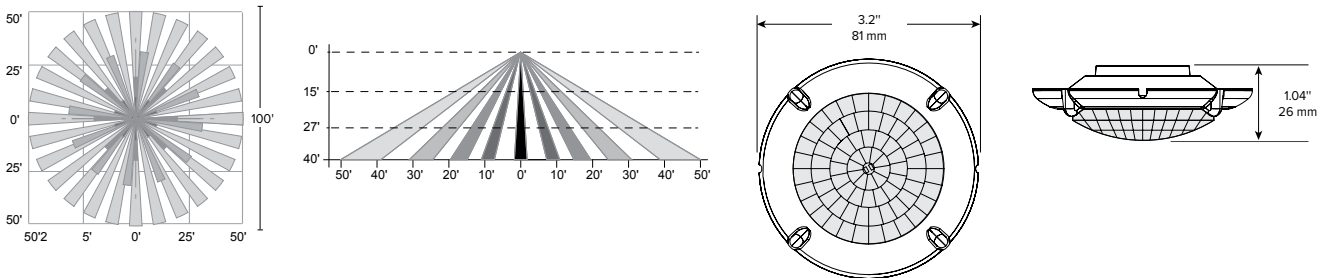
### NXSP-14F



### NXSP-30F



### SCP-40F



### RAR1 EPA

RAR-1	
EPA at 0°	EPA at 30°
.45ft. <sup>2</sup> .13m <sup>2</sup>	.56ft. <sup>2</sup> .17m <sup>2</sup>

### RAR2 EPA

RAR-2	
EPA at 0°	EPA at 30°
.55ft. <sup>2</sup> .17m <sup>2</sup>	1.48ft. <sup>2</sup> .45m <sup>2</sup>

### SHIPPING

Catalog Number	G.W(kg)/CTN	Carton Dimensions		
		Length Inch (cm)	Width Inch (cm)	Height Inch (cm)
RAR1	15 (6.8)	20.75 (52.7)	15.125 (38.4)	6.9375 (17.6)
RAR2	19 (8.6)	25 (63.5)	15.125 (38.4)	6.9375 (17.6)

## USE OF TRADEMARKS AND TRADE NAMES

All product and company names, logos and product identifies are trademarks™ or registered trademarks® of Hubbell Lighting, Inc. or their respective owners. Use of them does not necessarily imply any affiliation with or endorsement by such respective owners.

# WGH LED SERIES

SWITCHABLE – GLASS WALLPACK

tradeSELECT®

## FEATURES

- Two sizes: Medium and Large
- 30–120 Watts
- Field switchable lumens and LED color temperature (4000K, 4500K, & 5000K)
- Standard bronze finish
- Up to 150 lumens per watt
- Borosilicate glass refractor softens lamp image and provides uniform distribution
- Photocell is standard with shorting cap



WGH2



WGH3

### RELATED PRODUCTS

- Ø [Sling Canopy](#)
- Ø [Sling Dusk To Dawn](#)
- Ø [PRS](#)



## SPECIFICATIONS

### CONSTRUCTION

- Die-cast Aluminum Frame holds and seals to housing with 2 stainless steel screws
- Built in Photocell with shorting cap
- Cast aluminum housing has three 1/2" conduit entries on top and sides
- All units have dark bronze matte textured powder coat finish (matches Hubbell DBT finish)
- Operating Temp -40C to 40C

### OPTICS

- High efficacies, up to 150 LPW
- Impact resistant borosilicate glass len

### INSTALLATION

- Door assembly hinges on side on WGH2 and WGH3
- Leveling device for installation

### ELECTRICAL

- Universal Voltage (120-277V)
- Dimmable drivers standard
- Built in 6kV surge protector
- WGH2 wattage includes 30, 40, 50, 60, 70
- WGH3 wattage includes 80, 90, 100, 110, 120

### CERTIFICATIONS

- UL1598
- UL listed
- Wet listed
- Consortium (DLC) standard & premium qualifications, consult DLC website for more details: <http://www.designlights.org/QPL>
- IP65

### WARRANTY

- See [HLI Standard Warranty](#) for additional information

KEY DATA	
Lumen Range	4,600–17,150
Wattage Range	30–120
Efficacy Range (LPW)	139–150
Fixture Projected Life (Hours)	60K

## ORDERING GUIDE

Housing	Catalog Number	Wattage	Voltage	Dist. Type	Delivered Lumens	LPW	CCT	Weight lbs. (kg)
Medium	WGH2-LSCS	30–70W	120-277V	4	4,600–10,000	140–150	4000K, 4500K, 5000K	6.75 (3)
Large	WGH3-LSCS	80–120W	120-277V	4	9,800–17,150	139–149	4000K, 4500K, 5000K	11 (5.0)

# WGH LED

GLASS WALLPACK

## PERFORMANCE DATA

Description	SYSTEM WATTS	Distribution Type	5K (5000K NOMINAL)					45K (4500K NOMINAL)					4K (4000K NOMINAL)				
			Lumens	LPW	B	U	G	Lumens	LPW	B	U	G	Lumens	LPW	B	U	G
WGH2	30W	4	4663	141	1	4	3	4758	144	1	4	3	4624	140	1	4	3
	40W	4	5496	141	1	4	4	5608	144	1	4	4	5450	140	1	4	4
	50W	4	7112	141	1	4	4	7257	144	1	4	4	7053	140	1	4	4
	60W	4	8435	141	1	5	5	8607	144	1	5	5	8364	140	1	5	5
	70W	4	9797	141	1	5	5	9997	150	1	5	5	9714	145	1	5	5
WGH3	80W	4	11581	146	2	4	5	12070	152	2	4	5	11662	147	2	4	5
	90W	4	12621	140	2	4	5	13131	146	2	4	5	12682	141	2	4	5
	100W	4	14055	140	3	5	5	14622	146	3	5	5	14123	141	3	5	5
	110W	4	15472	141	3	5	5	16096	146	3	5	5	15547	141	3	5	5
	120W	4	16477	139	3	5	5	17142	149	3	5	5	16557	139	3	5	5

## ELECTRICAL DATA

### WGH2-Medium

Nominal Wattage	Input Voltage	Oper. Current (Amps)	System Power (Watts)
30	120	0.24	29.3
	208	0.14	
	240	0.12	
	277	0.11	
40	120	0.34	41.2
	208	0.20	
	240	0.17	
	277	0.15	
50	120	0.44	53.1
	208	0.26	
	240	0.22	
	277	0.19	
60	120	0.49	59.2
	208	0.28	
	240	0.25	
	277	0.21	
70	120	0.56	66.8
	208	0.32	
	240	0.28	
	277	0.24	

### WGH3-Large

Nominal Wattage	Input Voltage	Oper. Current (Amps)	System Power (Watts)
80	120	0.66	79.6
	208	0.38	
	240	0.33	
	277	0.29	
90	120	0.74	88.2
	208	0.42	
	240	0.37	
	277	0.32	
100	120	0.84	100.2
	208	0.48	
	240	0.42	
	277	0.36	
110	120	0.91	109.2
	208	0.53	
	240	0.46	
	277	0.39	
120	120	0.99	118.9
	208	0.57	
	240	0.50	
	277	0.43	

## LUMINAIRE AMBIENT TEMPERATURE FACTOR (LATF)

Ambient Temperature		Lumen Multiplier
0°C	32°F	1.03
10°C	50°F	1.01
20°C	68°F	1.00
25°C	77°F	1.00
30°C	86°F	0.99
40°C	104°F	0.98
50°C	122°F	0.97

Use these factors to determine relative lumen output for average ambient temperatures from 0-40°C (32-104°F).

# WGH LED

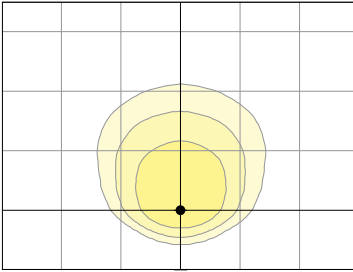
GLASS WALLPACK

## PROJECTED LUMEN MAINTENANCE

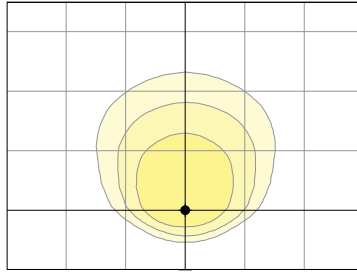
Ambient Temperature	OPERATING HOURS					
	0	25,000	TM-21-11 L96 60,000	50,000	100,000	L70 (Hours)
25°C / 77°F	1.00	0.97	0.95	0.93	0.84	205,000
40°C / 104°F	0.99	0.95	0.93	0.90	0.81	178,000

## PHOTOMETRY

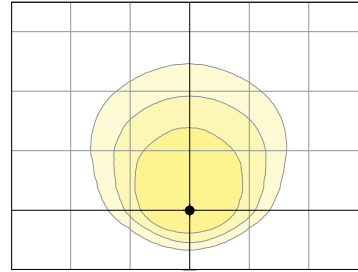
**WGH2 - 30W**



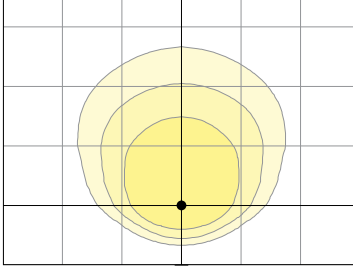
**WGH2 - 40W**



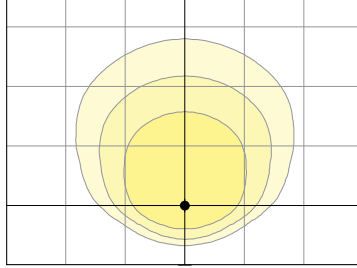
**WGH2 - 50W**



**WGH2 - 60W**



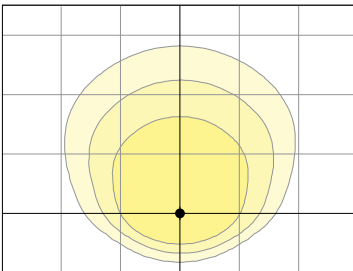
**WGH2 - 70W**



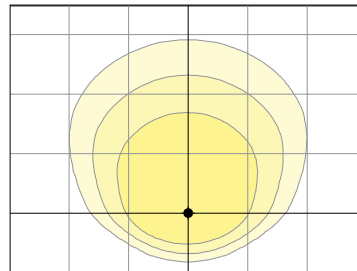
Switchable from 30 to 70 watts,  
CCT switchable 4K, 45K, 5K



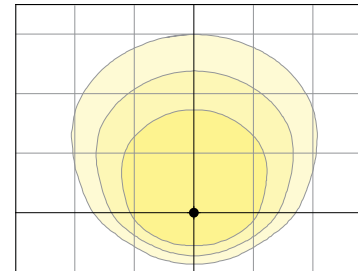
**WGH3 - 80W**



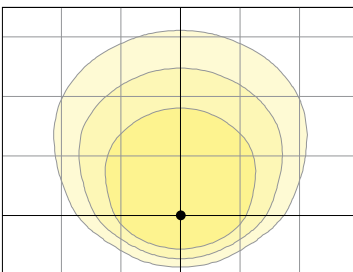
**WGH3 - 90W**



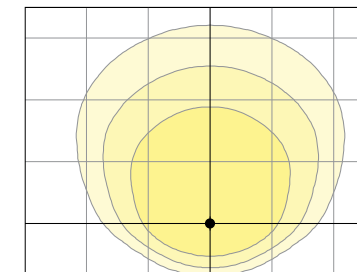
**WGH3 - 100W**



**WGH3 - 110W**



**WGH3 - 120W**



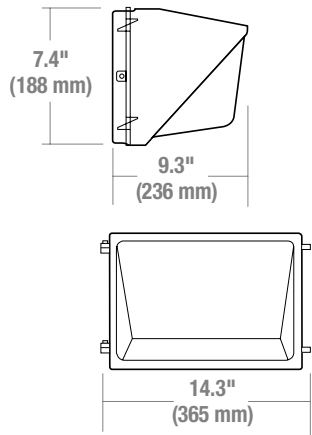
Switchable from 80 to 120 watts,  
CCT switchable 4K, 45K, 5K



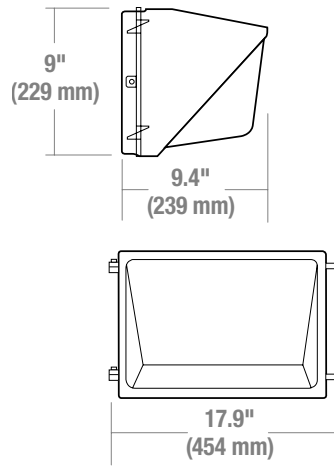
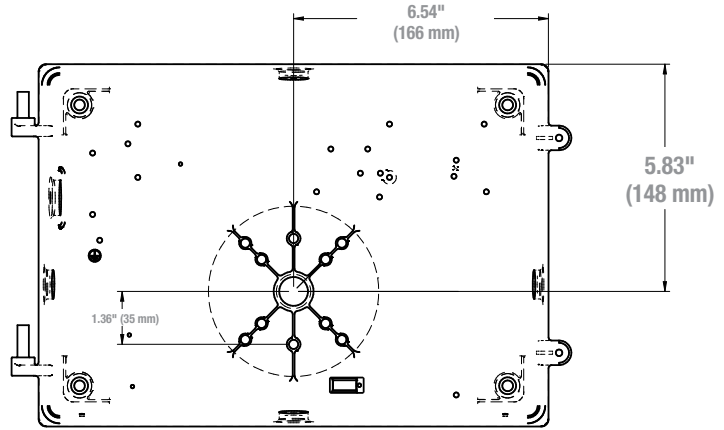
# WGH LED

GLASS WALLPACK

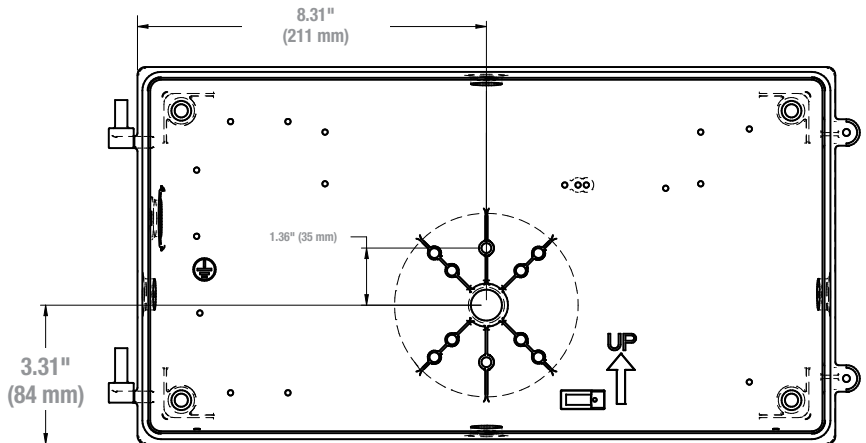
## DIMENSIONS



**WGH2**



**WGH3**



## LEVEL SYSTEM



Incorporated level system in fixture

## USE OF TRADEMARKS AND TRADE NAMES

All product and company names, logos and product identifies are trademarks™ or registered trademarks® of Hubbell Lighting, Inc. or their respective owners. Use of them does not necessarily imply any affiliation with or endorsement by such respective owners.

# TFX3 LED Floodlights



Catalog Number

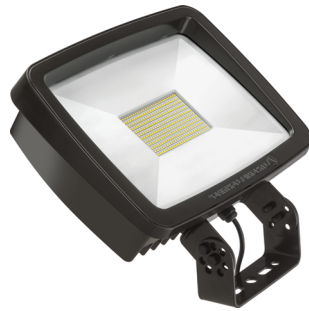
Notes

Type

Hit the Tab key or mouse over the page to see all interactive elements.



TFX3 with Slipfitter Mount



TFX3 with Yoke Mount

## Introduction

The TFX3 LED flood luminaire is a cost-effective, energy-efficient, long-life solution for replacing metal halide or HPS floodlights. Delivering 26,000 lumens, the TFX3 can replace up to 400W metal halide while saving over 60% in energy costs. Reliable IP66 construction and excellent LED lumen maintenance will ensure a long service life; avoiding the multiple lamp changes of the metal halide luminaires they replace.

The TFX3 is available with integral slip fitter and yoke mounting options. The slip fitter can be used for installation on 2 3/8" outer diameter tenons.

## Ordering Information

Color Temp	Lumen Output	Input Power	Efficacy (Lumens per Watt)	Finish	Voltage	Mounting	Catalog Number	CI Code	UPC Code
4000K	25,600	188W	141	Dark Bronze	MVOLT (120V - 277V)	Slipfitter	TFX3 LED 40K MVOLT IS DDBXD	*2552MF	193047670265
						Yoke	TFX3 LED 40K MVOLT YK DDBXD	*2552MJ	193047670258
					HVOLT (347V-480V)	Slipfitter	TFX3 LED 40K HVOLT IS DDBXD	*2552MK	193047670289
						Yoke	TFX3 LED 40K HVOLT YK DDBXD	*2552ML	193047670296
5000K	25,600	188W	141	Dark Bronze	MVOLT (120V - 277V)	Slipfitter	TFX3 LED 50K MVOLT IS DDBXD	*2581Y6	193048046014
						Yoke	TFX3 LED 50K MVOLT YK DDBXD	*2581Y7	193048046021
					HVOLT (347V - 480V)	Slipfitter	TFX3 LED 50K HVOLT IS DDBXD	*2581Y8	193048046052
						Yoke	TFX3 LED 50K HVOLT YK DDBXD	*25826R	193048047479

## FEATURES & SPECIFICATIONS

### INTENDED USE

The TFX3 LED floodlight is designed to provide a cost effective, energy-efficient solution for the one-for-one replacement of existing metal halide or high pressure sodium lighting. The TFX3 is ideal for replacing up to 400W HID luminaires in parking lots, signage, yards, and other floodlighting applications. TFX luminaires deliver a uniform, wide flood distribution.

### CONSTRUCTION

The TFX3 LED floodlight features a die-cast aluminum main body with optimal thermal management that both enhances LED efficacy and extends component life. The light engines and housing are IP66 rated, and sealed against moisture or environmental contaminants.

### ELECTRICAL

Light engine(s) configurations consist of high-efficacy LEDs and LED lumen maintenance is L90/100,000 hours. Color temperature (CCT) is 4000K with minimum CRI of 70. TFX LED luminaires use MVOLT (120-277V) electronic drivers that are 0-10V, capable of continuous dimming and ensure system power factor >90% and THD <20%. All luminaires have 10kV surge protection.

### INSTALLATION

The integral slip fitter option (IS) mates with standard 2 3/8" tenons for pole-top mounting. The yoke mount (YK) option allows mounting to solid surfaces and has a 30" SO cord. TFX luminaires are suitable for aiming in any orientation. TFX is rated for installation on ground. Can be tilted from 0° horizontal facing downwards, up to 180° horizontal facing upwards.

### LISTINGS

UL Certified to meet U.S. and Canadian standards. Suitable for wet locations. IP66 Rated. DesignLights Consortium® (DLC) Premium qualified product. Please check the DLC Qualified Products List at [www.designlights.org/QPL](http://www.designlights.org/QPL) to confirm.

### WARRANTY

5-year limited warranty. Complete warranty terms located at: [www.acuitybrands.com/support/customer-support/terms-and-conditions](http://www.acuitybrands.com/support/customer-support/terms-and-conditions)

**Note:** Actual performance may differ as a result of end-user environment and application. All values are design or typical values, measured under laboratory conditions at 25 °C. Specifications subject to change without notice.



COMMERCIAL OUTDOOR

One Lithonia Way • Conyers, Georgia 30012 • Phone: 1-800-705-SERV (7378) • [www.acuitybrands.com](http://www.acuitybrands.com)  
© 2019-2021 Acuity Brands Lighting, Inc. All rights reserved.

TFX3 LED  
Rev. 06/25/21  
Page 1 of 2

## Pole/Mounting Information

Accessories including bullhorns, cross arms and other adapters are available under the accessories tab at Lithonia's Outdoor Poles and Arms product page. Click here to visit [Accessories](#).

### TFX3 - Luminaire EPA

\*Includes luminaire and integral mounting arm.  
Other tenons, arms, brackets or other accessories are not included in this EPA data.

TFX3 LED	
Angle of Tilt	EPA (ft <sup>2</sup> )
0°	0.79
10°	0.93
20°	1.14
30°	1.31
40°	1.43
50°	1.56
60°	1.63
70°	1.71
80°	1.75
90°	1.72

## Photometric Diagrams

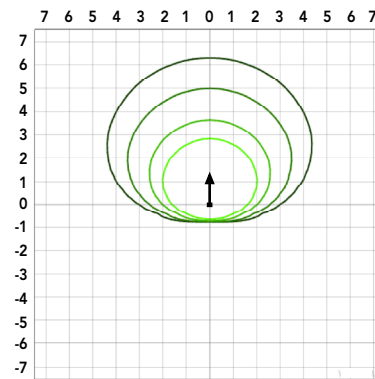
To see complete photometric reports or download .ies files for this product, visit Lithonia Lighting's.

Distances are in units of mounting height (25').

### LEGEND

- 0.1 fc
- 0.2 fc
- 0.5 fc
- 1.0 fc

Luminaires tilted at 45°



## Performance Data

### Lumen Ambient Temperature (LAT) Multipliers

Use these factors to determine relative lumen output for average ambient temperatures from 0-50°C (32-122°F).

Ambient	Ambient	Lumen Multiplier
0°C	32°F	1.05
5°C	41°F	1.04
10°C	50°F	1.03
15°C	59°F	1.02
20°C	68°F	1.01
25°C	77°F	1.00
30°C	86°F	0.99
35°C	95°F	0.98
40°C	104°F	0.97
45°C	113°F	0.96
50°C	122°F	0.95

## Electrical and Lumen Maintenance Data

### Electrical Load (Amperage)

Luminaire	Input Power (W)	120V	208V	240V	277V	347V	480V
TFX3 LED (MVOLT) Input Current (Amperes)	188W	1.57	0.90	0.78	0.68		
TFX3 LED (HVOLT) Input Current (Amperes)	188W					0.54	0.39

### Projected Lumen Maintenance

Data references the extrapolated performance projections in a 25°C ambient, based on 6,000 hours of LED testing (tested per IESNA LM-80-08 and projected per IESNA TM-21-11).

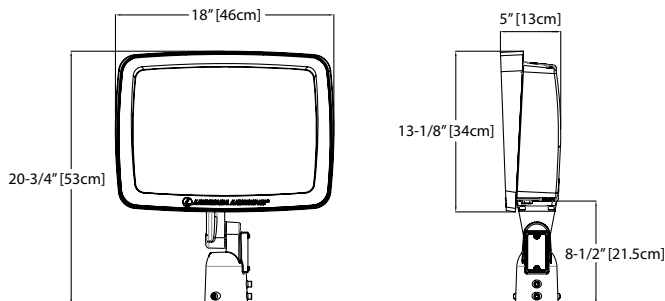
To calculate LLF, use the lumen maintenance factor that corresponds to the desired number of operating hours below. For other lumen maintenance values, contact factory.

Operating Hours	50,000	75,000	100,000
Lumen Maintenance Factor	>0.94	>0.91	>0.90

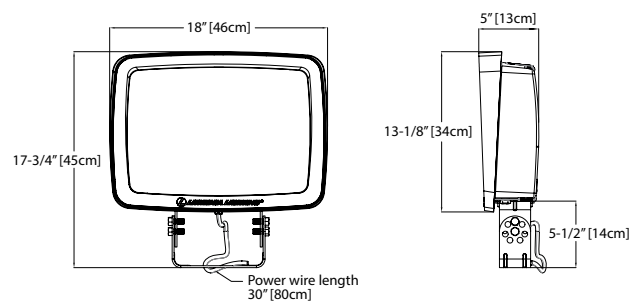
Values calculated according to IESNA TM-21-11 methodology and valid up to 40°C.

## Product Dimensions

Weight: 21lbs (9.6kg)



TFX3 with Slipfitter Mount



TFX3 with Yoke Mount



COMMERCIAL OUTDOOR

One Lithonia Way • Conyers, Georgia 30012 • Phone: 1-800-705-SERV (7378) • [www.acuitybrands.com](http://www.acuitybrands.com)  
© 2019-2021 Acuity Brands Lighting, Inc. All rights reserved.

TFX3 LED  
Rev. 06/25/21  
Page 2 of 2



# SYLVANIA Luminaires

## Wall Pack Cutoff



### Product Features

The Wall Pack luminaires are environmentally preferable LED alternatives to traditional HID luminaires, offering up to 77% in energy savings. Ideal in place of traditional luminaires, or as new installations, the Wall Pack series is offered in seven wattages/lumen packages for illuminating building exteriors, outdoor corridors, walkways, and stairwells.

The housing is a perfect fit for replacing existing traditional luminaires and minimizes light pollution through its cut-off design. The luminaires are available with optional photo control. SYLVANIA luminaires assure optimum light engine performance for extended service and rated life ( $\geq 150,000$  hours  $L_{70}$ ).

### Wattage Comparison Chart

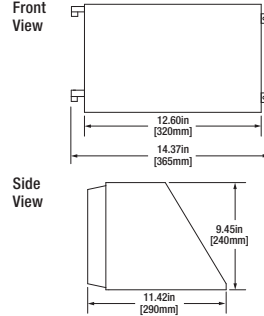
#### Cutoff Wall Packs (UNV/347)

Traditional Source	Traditional System Wattage	LED System Wattage	Energy Savings
70W HPS	91	30 / 36 / 40	67% / 60% / 56%
100W HPS	120	30 / 36 / 40	75% / 70% / 67%
100W MH	130	30 / 36 / 40	77% / 72% / 69%
70W HPS	91	50 / 55	45% / 40%
100W HPS	120	50 / 55	58% / 54%
100W MH	130	50 / 55	62% / 58%
150W HPS	170	50 / 55	71% / 68%
150W MH	188	50 / 55	73% / 71%
175W MH	210	50 / 55	76% / 74%
175W MH	210	75 / 80	64% / 62%
250W MH	290	75 / 80	74% / 72%
250W HPS	295	75 / 80	75% / 73%

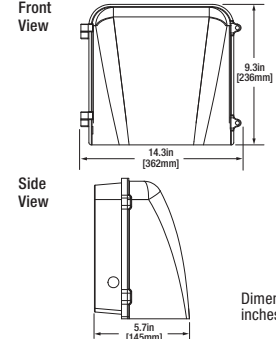
Catalog #	Type
Project	
Notes	
Date	
Prepared by	

### Dimensions

#### Cutoff Wall Pack Generation 1



#### Cutoff Wall Pack Generation 2



Dimensions in inches (mm).

### Specifications

**Weight:** Gen. 1 – UNV: 16.2lbs (7.4kg) 347V: 17lbs (7.9kg)  
Gen. 2 – UNV: 9.9lbs (4.3kg)

**Construction:** Two-piece cast aluminum alloy housing with powder coat paint finish and a glass lens. The standard color is bronze.

**LED System:** LED system with a life rating of  $\geq 150,000$  hours at  $L_{70}$  @25°C. Luminaire efficacy up to 135 LPW.

**Electrical:** Offered in 30, 36, 50, and 75 Watts, the luminaire is designed to operate through the 120-277 V<sub>AC</sub> universal voltage range. Offered in 40, 55, and 80 Watts, the luminaire is designed to operate at the 347V<sub>AC</sub> voltage range. The LED driver has a 4kV inherent surge suppression and is a constant current device, meeting UL1310 and UL48 Class 2 with built-in over temperature protection. The power factor is  $\geq 90\%$  and THD is  $\leq 20\%$ .

**Color Characteristics:** CRI >70; CCT of 4000K or 5000K.

**Optics:** Cutoff distribution with a flat tempered glass lens.

**Options Available:** Photocontrol, Emergency Battery Backup (MTO).

**Installation:** Luminaire mounts to exterior wall. External controls can be added through existing knockouts.

**Operating Temperature:** -40°F to +104°F (-40°C to +40°C)  
EM: +32°F to +104°F (0°C to +40°C).

**Listings:** cULus listed to UL1598 standards for wet locations.

**Warranty:** Standard 5-year luminaire warranty (LEDLUM001).

**Note:** Specifications subject to change without notice. IES files available online.



\*DLC Premium only applicable on 2C versions

### Ordering Guide

Item Number:

WALPAK	XX	/	XXX	XXX	7	XX	/	CO	/	BZ	/	X
Product	Generation		Wattage (UNV)	Voltage	CRI	Color Temp (CCT)		Optics		Color/Finish		Options
Name	1C		030 = 30 Watts	UNV = 120-277V	7 = >70	40 = 4000K*		CO = Cutoff Distribution		BZ = Bronze		Blank = No Option
WALPAK	2C		036 = 36 Watts	347 = 347V		50 = 5000K						P = Photocontrol*
			050 = 50 Watts									E = Emergency**
			075 = 75 Watts									
			Wattage (347V)									
			040 = 40 Watts									
			055 = 55 Watts									
			080 = 80 Watts									

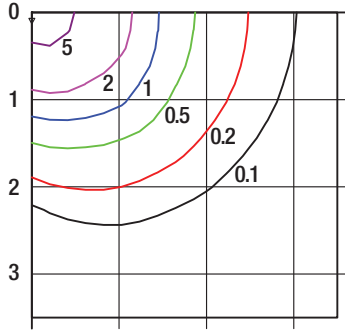
\* Available in UNV only  
\*\* Made to order (MTO); Available in 50W UNV only



## Photometric Data (UNV/347V)

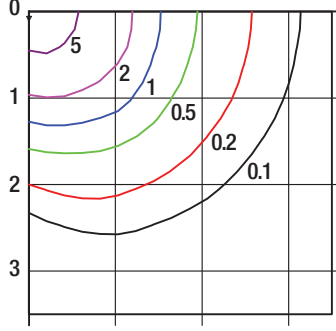
### WALPAK2C/030UNV740/CO/BZ

Isofootcandle Lines at 15' Mounting Height



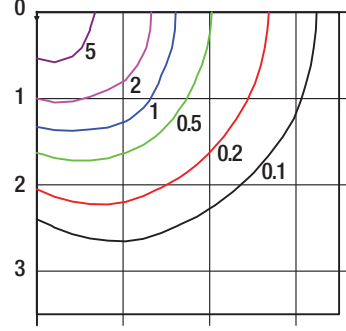
### WALPAK2C/050UNV740/CO/BZ

Isofootcandle Lines at 18' Mounting Height



### WALPAK2C/075UNV740/CO/BZ

Isofootcandle Lines at 20' Mounting Height



For other mounting heights apply the following multipliers:

Mounting Height	12'	15'	18'	20'	22'
Multiplier	1.56	1.00	0.69	0.56	0.46

Mounting Height	15'	18'	20'	22'	25'
Multiplier	1.44	1.00	0.81	0.67	0.52

Mounting Height	15'	18'	20'	22'	25'
Multiplier	1.78	1.23	1.00	0.83	0.64

## Ordering Information

Item Number	Ordering Abbreviation	Power (W)	Input Voltage	CRI	Color Temp (CCT)	Distribution	Total Fixture Lumens	LPW*	DLC**	BUG Rating	Options
<b>WALPAK1C</b>											
74186	WALPAK1C/036UNV740/CO/BZ	36	120-277	>70	4000K	Cutoff	3300	92	Std	B1-U0-G1	-
74189	WALPAK1C/036UNV750/CO/BZ	36	120-277	>70	5000K	Cutoff	2900	82	-	B1-U0-G1	-
74187	WALPAK1C/050UNV740/CO/BZ	50	120-277	>70	4000K	Cutoff	5200	107	Std	B2-U0-G1	-
74190	WALPAK1C/050UNV750/CO/BZ	50	120-277	>70	5000K	Cutoff	5000	102	Std	B2-U0-G1	-
74191	WALPAK1C/075UNV750/CO/BZ	75	120-277	>70	5000K	Cutoff	6400	88	-	B2-U0-G1	-
74210	WALPAK1C/036UNV740/CO/BZ/P	36	120-277	>70	4000K	Cutoff	3300	92	Std	B1-U0-G1	-
74213	WALPAK1C/036UNV750/CO/BZ/P	36	120-277	>70	5000K	Cutoff	2900	82	-	B1-U0-G1	-
74211	WALPAK1C/050UNV740/CO/BZ/P	50	120-277	>70	4000K	Cutoff	5200	107	Std	B2-U0-G1	-
74214	WALPAK1C/050UNV750/CO/BZ/P	50	120-277	>70	5000K	Cutoff	5000	102	Std	B2-U0-G1	-
74212	WALPAK1C/075UNV740/CO/BZ/P	75	120-277	>70	4000K	Cutoff	6600	91	-	B2-U0-G1	-
74215	WALPAK1C/075UNV750/CO/BZ/P	75	120-277	>70	5000K	Cutoff	6400	88	-	B2-U0-G1	-
74497	WALPAK1C/050UNV740/CO/BZ/E (MTO)	50	120-277	>70	4000K	Cutoff	5200	107	Std	B2-U0-G1	Emergency
74498	WALPAK1C/050UNV750/CO/BZ/E (MTO)	50	120-277	>70	5000K	Cutoff	5000	102	Std	B2-U0-G1	Emergency
72993	WALPAK1C/040347750/CO/BZ	40	347	>70	5000K	Cutoff	4500	107	Std	B1-U0-G1	-
72994	WALPAK1C/055347750/CO/BZ	55	347	>70	5000K	Cutoff	5500	101	Std	B2-U0-G1	-
72995	WALPAK1C/080347750/CO/BZ	80	347	>70	5000K	Cutoff	8900	113	Std	B2-U0-G1	-
<b>WALPAK2C</b>											
74912	WALPAK2C/030UNV740/CO/BZ	30	120-277	>70	4000K	Cutoff	3800	135	Prm	B2-U1-G2	-
74915	WALPAK2C/030UNV750/CO/BZ	30	120-277	>70	5000K	Cutoff	3800	135	Prm	B2-U1-G2	-
74913	WALPAK2C/050UNV740/CO/BZ	50	120-277	>70	4000K	Cutoff	6200	126	Prm	B2-U1-G2	-
74916	WALPAK2C/050UNV750/CO/BZ	50	120-277	>70	5000K	Cutoff	6300	128	Prm	B2-U1-G2	-
74914	WALPAK2C/075UNV740/CO/BZ	75	120-277	>70	4000K	Cutoff	9000	120	Prm	B3-U1-G2	-
74917	WALPAK2C/075UNV750/CO/BZ	75	120-277	>70	5000K	Cutoff	9100	121	Prm	B3-U1-G2	-
75569	WALPAK2C/030UNV740/CO/BZ/P (MTO)	30	120-277	>70	4000K	Cutoff	3800	135	Prm	B2-U1-G2	Photocontrol
75572	WALPAK2C/030UNV750/CO/BZ/P (MTO)	30	120-277	>70	5000K	Cutoff	3800	135	Prm	B2-U1-G2	Photocontrol
75570	WALPAK2C/050UNV740/CO/BZ/P (MTO)	50	120-277	>70	4000K	Cutoff	6200	126	Prm	B2-U1-G2	Photocontrol
75573	WALPAK2C/050UNV750/CO/BZ/P (MTO)	50	120-277	>70	5000K	Cutoff	6300	128	Prm	B2-U1-G2	Photocontrol
75571	WALPAK2C/075UNV740/CO/BZ/P (MTO)	75	120-277	>70	4000K	Cutoff	9000	120	Prm	B3-U1-G2	Photocontrol
75574	WALPAK2C/075UNV750/CO/BZ/P (MTO)	75	120-277	>70	5000K	Cutoff	9100	121	Prm	B3-U1-G2	Photocontrol

\*LPW per LM79 report.

\*\*Prm for DLC Premium; Std for DLC Standard

For further information and to learn more about utility rebates, contact your local SYLVANIA sales representative.

## Options Information

### Emergency Battery Backup:

Activates when normal power supply to fixture fails, providing a minimum of 500 lumens for at least 90 minutes.

## Accessories and Replacement Parts

Item Number	Ordering Abbreviation	Item Description
74396	WALPAK1C/LENS/BZ	Replacement Lens with Frame

LEDVANCE LLC  
200 Ballardvale Street  
Wilmington, MA 01887 USA  
Phone 1-800-LIGHTBULB (1-800-544-4828)  
[www.sylvania.com](http://www.sylvania.com)

SYLVANIA and LEDVANCE are registered trademarks.  
All other trademarks are those of their respective owners.  
Licensee of product trademark SYLVANIA in general lighting.  
Specifications subject to change without notice.

 /sylvania  /sylvania

© 2018 LEDVANCE LLC





**Product Number:** 74917

**Order Abbreviation:** WALPAK2C/075UNV750/CO/BZ

**General Description:** Wallpack2C, 75 watts, 120-277V, 70+ CRI, 5000K, cutoff distribution, bronze finish

#### Product Information

Power Factor	?0.90
Primary Lamp Type	COB
Total Harmonic Distortion (THD)	?20 %
Efficacy (LPW)	121
Abbrev. With Packaging Info.	WALPAK2C075UNV750COBZ 1/CS 1/SKU
Color Temperature/CCT (K)	5000
Ordering Abbreviation	WALPAK2C/075UNV750/CO/BZ
Average Rated Life 1 (hr)	150000
Lumens	9100
Nominal Voltage (V)	120.00
Nominal Wattage (W)	75.00
UPC Code	UPC046135749179
Color Rendering Index (CRI)	>70
Service Life Rating	?150000
Lumens (lm)	9100
Wattage (W)	75.00
Color Range	5000 K
Connectors	Flying leads
Energy Star Rated	No
Fixture Warranty	5 years
Housing	Aluminum
Luminaire Finish	Bronze
Luminaire Type	Wall pack
Maximum Operating Temperature-Celsius	40
Maximum Operating Temperature-Fahrenheit	104
Power Input	75
Mounting	Surface
Dimensions	14.3x5.7x9.3
Certification Listing	cULus, FCC, RoHS, DLC