

LA CROSSE REGIONAL AIRPORT CAR WASH FACILITY

LA CROSSE, WISCONSIN

ISG PROJECT # 18-21496

ISG



PROJECT GENERAL NOTES

- ALL WORK SHALL CONFORM TO THE CONTRACT DOCUMENTS, WHICH INCLUDE, BUT ARE NOT LIMITED TO, THE OWNER - CONTRACTOR AGREEMENT, THE PROJECT MANUAL (WHICH INCLUDES GENERAL AND SUPPLEMENTARY CONDITIONS AND SPECIFICATIONS), DRAWINGS OF ALL DISCIPLINES AND ALL ADDENDA, MODIFICATIONS AND CLARIFICATIONS ISSUED BY THE ARCHITECT / ENGINEER.
- CONTRACT DOCUMENTS SHALL BE ISSUED TO ALL SUBCONTRACTORS BY THE GENERAL CONTRACTOR IN COMPLETE SETS IN ORDER TO ACHIEVE THE FULL EXTENT AND COMPLETE COORDINATION OF ALL WORK. CONTRACTOR IS RESPONSIBLE FOR COORDINATING AND CORRELATING QUANTITIES AND DIMENSIONS.
- WRITTEN DIMENSIONS TAKE PRECEDENCE OVER SCALED DIMENSIONS. NOTIFY ARCHITECT/ENGINEER OF ANY DISCREPANCIES OR CONDITIONS REQUIRING INFORMATION OR CLARIFICATION BEFORE PROCEEDING WITH THE WORK.
- FIELD VERIFY ALL EXISTING CONDITIONS AND DIMENSIONS. NOTIFY ARCHITECT / ENGINEER OF ANY DISCREPANCIES OR CONDITIONS REQUIRING INFORMATION OR CLARIFICATION BEFORE PROCEEDING WITH THE WORK.
- DETAILS SHOWN ARE INTENDED TO BE INDICATIVE OF THE PROFILES AND TYPE OF DETAILING REQUIRED THROUGHOUT THE WORK. DETAILS NOT SHOWN ARE SIMILAR IN CHARACTER TO DETAILS SHOWN. WHERE SPECIFIC DIMENSIONS, DETAILS OR DESIGN INTENT CANNOT BE DETERMINED, NOTIFY ARCHITECT / ENGINEER BEFORE PROCEEDING WITH THE WORK.
- ALL MANUFACTURED ARTICLES, MATERIALS AND EQUIPMENT SHALL BE APPLIED, INSTALLED, CONNECTED, ERECTED, CLEANED AND CONDITIONED ACCORDING TO MANUFACTURERS' INSTRUCTIONS. IN CASE OF DISCREPANCIES BETWEEN MANUFACTURERS' INSTRUCTIONS AND THE CONTRACT DOCUMENTS, NOTIFY ARCHITECT / ENGINEER BEFORE PROCEEDING WITH THE WORK.
- LARGE-SCALE, MORE SPECIFIC DETAILS TAKE PRECEDENCE OVER SMALLER-SCALE, LESS SPECIFIC DETAILS AND INFORMATION. MORE STRINGENT REQUIREMENTS FOR CODE, PRODUCTS AND INSTALLATION TAKE PRECEDENCE OVER LESS STRINGENT REQUIREMENTS. NOTIFY ARCHITECT/ENGINEER OF ANY DISCREPANCIES OR CONDITIONS REQUIRING INFORMATION OR CLARIFICATION BEFORE PROCEEDING WITH THE WORK.
- PROVIDE CONTINUOUS SEALANT AROUND ALL MATERIALS AT EXTERIOR WALL PENETRATIONS. REFER TO SPECIFICATIONS FOR APPROPRIATE SEALANT.
- ALL DISSIMILAR METALS SHALL BE EFFECTIVELY ISOLATED FROM EACH OTHER TO AVOID GALVANIC CORROSION.
- SEAL ALL OPENINGS IN WALLS, FLOORS, CEILINGS, AND ROOFS, AROUND DUCTS, PIPES, VENTS, TRAPS, CONDUIT AND ALL OTHER PENETRATIONS WITH FIRE STOPPING AS SPECIFIED AND REQUIRED BY CODES.
- PROVIDE SOLID WALL BACKING WITH METAL OR FIRE-RETARDANT WOOD BLOCKING BEHIND DOOR HARDWARE SUCH AS WALL STOPS, BUMPERS, HOLD OPENS, ETC.

SHEET INDEX

SHEET #	SHEET TITLE
GENERAL	
G1-10	TITLE SHEET, SHEET INDEX, PROJECT GENERAL NOTES
G1-11	MOUNTING HEIGHTS AND STANDARDS, ABBREVIATIONS AND SYMBOLS
G1-21	ARCHITECTURAL SITE AND CODE DATA PLAN
CIVIL	
C0-10	SITE DATA
C0-20	CIVIL DETAILS
C0-21	CIVIL DETAILS
C0-22	CIVIL DETAILS
C0-23	CIVIL DETAILS
C0-24	CIVIL DETAILS
C0-25	CIVIL DETAILS
C0-30	AIRPORT CONSTRUCTION & SAFETY DETAILS
C1-10	EROSION CONTROL PLAN (EXISTING CONDITIONS)
C1-20	EROSION CONTROL PLAN (PROPOSED CONDITIONS)
C1-30	EROSION CONTROL NOTES
C2-10	EXISTING SITE AND REMOVALS PLAN
C3-10	SITE OVERVIEW
C3-20	SITE PLAN
C3-30	SITE LAYOUT PLAN
C3-40	SITE UTILITY PLAN
C4-10	GRADING PLAN
C5-20	LANDSCAPE PLAN
C5-21	LANDSCAPE DETAILS
C5-22	IRRIGATION PLAN
E6-11	SITE ELECTRICAL PLAN
ARCHITECTURAL	
A1-01	CONSTRUCTION ASSEMBLIES & PARTITION TYPES
A1-11	3D VIEWS
A1-21	FLOOR PLAN
A1-22	PRECAST PLAN
A1-31	CLERESTORY & REFLECTED CEILING PLAN
A1-41	FINISH PLAN AND FINISH LEGENDS
A1-71	ROOF PLAN AND DETAILS
A1-72	ROOF DETAILS
A2-11	EXTERIOR ELEVATIONS
A3-11	BUILDING SECTIONS AND INTERIOR ELEVATIONS
A3-21	WALL SECTIONS
A3-22	WALL SECTIONS
A3-31	DETAILS
A4-11	DOOR SCHEDULE, DOOR AND FRAME TYPES
A6-11	ENLARGED PLANS AND INTERIOR ELEVATIONS

SHEET INDEX

SHEET #	SHEET TITLE
STRUCTURAL	
S1-00	STRUCTURAL NOTES
S1-02	STRUCTURAL NOTES AND BASE PLATE DETAILS
S1-11	FOOTING AND FOUNDATION PLAN
S1-12	SLAB AND FLOOR SLOPE PLAN
S1-13	CAR WASH PIT ELEVATIONS
S1-14	CAR WASH PIT ELEVATIONS AND DETAILS
S1-21	FOOTING AND FOUNDATION DETAILS
S1-22	FOOTING AND FOUNDATION DETAILS
S1-51	ROOF FRAMING PLAN
S1-52	PRECAST ROOF FRAMING PLAN
S1-53	STRUCTURAL FRAMING ELEVATIONS AND DETAILS
PLUMBING	
P2-11	FIRST FLOOR SANITARY PLUMBING PLAN
P2-21	FIRST FLOOR POTABLE WATER PLUMBING PLAN
P3-11	DRAIN, WASTE, AND VENT ISOMETRICS
P3-21	POTABLE WATER ISOMETRICS
P5-11	PLUMBING DETAILS
P6-11	PLUMBING SCHEDULES AND SPECIFICATIONS
MECHANICAL	
M2-11	FIRST FLOOR HVAC PLAN
M2-21	FIRST FLOOR HYDRONIC PLAN
M4-11	HVAC DETAILS
M4-12	HVAC DETAILS
M5-11	HVAC SCHEDULES AND SPECIFICATIONS
M5-21	HYDRONIC SCHEDULES AND SPECIFICATIONS
ELECTRICAL	
E2-10	GROUNDING PLAN
E2-11	FIRST FLOOR POWER PLAN
E2-14	ROOF ELECTRICAL PLAN
E2-21	FIRST FLOOR LIGHTING PLAN
E3-11	ENLARGED ELECTRICAL PLANS
E4-11	ELECTRICAL DETAILS
E5-11	ELECTRICAL RISER AND SCHEDULES
ELECTRICAL	
T2-11	FIRST FLOOR TECHNOLOGY PLAN
T3-00	TECHNOLOGY CALLOUTS
T4-00	TECHNOLOGY DETAILS

THIS DOCUMENT IS THE PROPERTY OF I & S GROUP, INC. AND MAY NOT BE USED, COPIED OR DUPLICATED WITHOUT PRIOR WRITTEN CONSENT.

PROJECT
LA CROSSE REGIONAL AIRPORT CAR WASH FACILITY

LA CROSSE WISCONSIN

REVISION SCHEDULE		
DATE	DESCRIPTION	BY

PROJECT NO.	18-21496
FILE NAME	21496 Arch R18.rvt
DRAWN BY	SJR
DESIGNED BY	KMB
REVIEWED BY	KMB
ORIGINAL ISSUE DATE	01/14/2019
CLIENT PROJECT NO.	

TITLE
TITLE SHEET, SHEET INDEX, PROJECT GENERAL NOTES

SHEET
G1-10

PROJECT INDEX:

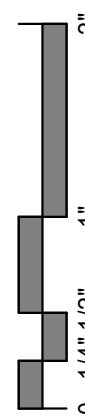
OWNER:
 LA CROSSE REGIONAL AIRPORT
 2850 AIRPORT ROAD
 LA CROSSE, WISCONSIN 54603

PROJECT ADDRESS:
 LA CROSSE REGIONAL AIRPORT
 CAR WASH FACILITY
 2840 AIRPORT ROAD
 LA CROSSE, WISCONSIN 54603

MANAGING OFFICE:



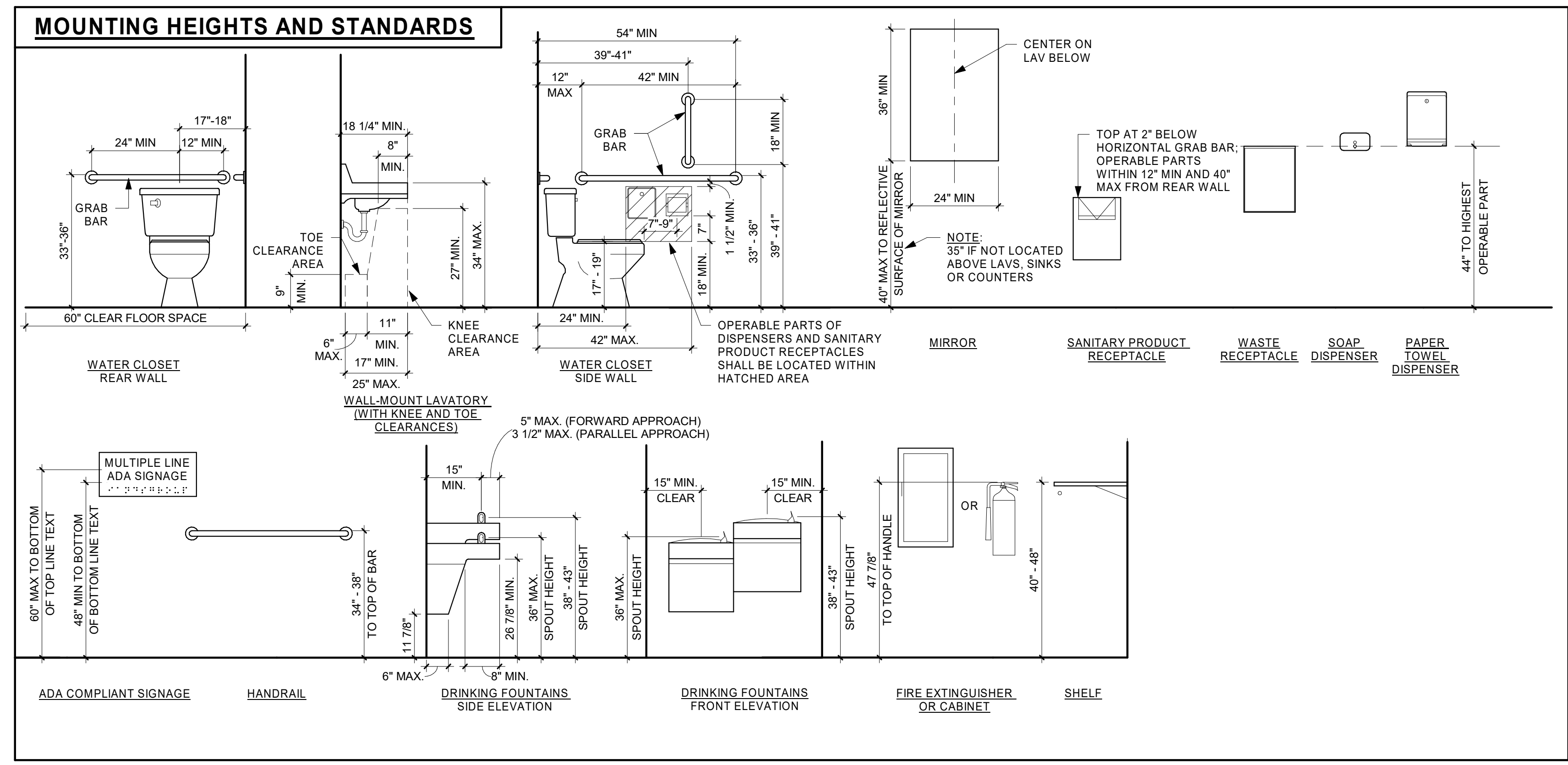
LA CROSSE OFFICE
 201 MAIN STREET
 SUITE 1020
 LA CROSSE, WISCONSIN 54601
 PHONE: 608.789.2034
 PROJECT MANAGER: MIKE HANSEN
 EMAIL: mike.hansen@is-grp.com



PRELIMINARY NOT FOR CONSTRUCTION



PRELIMINARY NOT FOR CONSTRUCTION



THIS DOCUMENT IS THE PROPERTY OF I & S GROUP, INC. AND MAY NOT BE USED, COPIED OR DUPLICATED WITHOUT PRIOR WRITTEN CONSENT.

PROJECT
LA CROSSE REGIONAL AIRPORT CAR WASH FACILITY

LA CROSSE WISCONSIN

REVISION SCHEDULE		
DATE	DESCRIPTION	BY

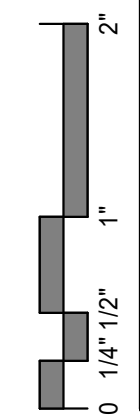
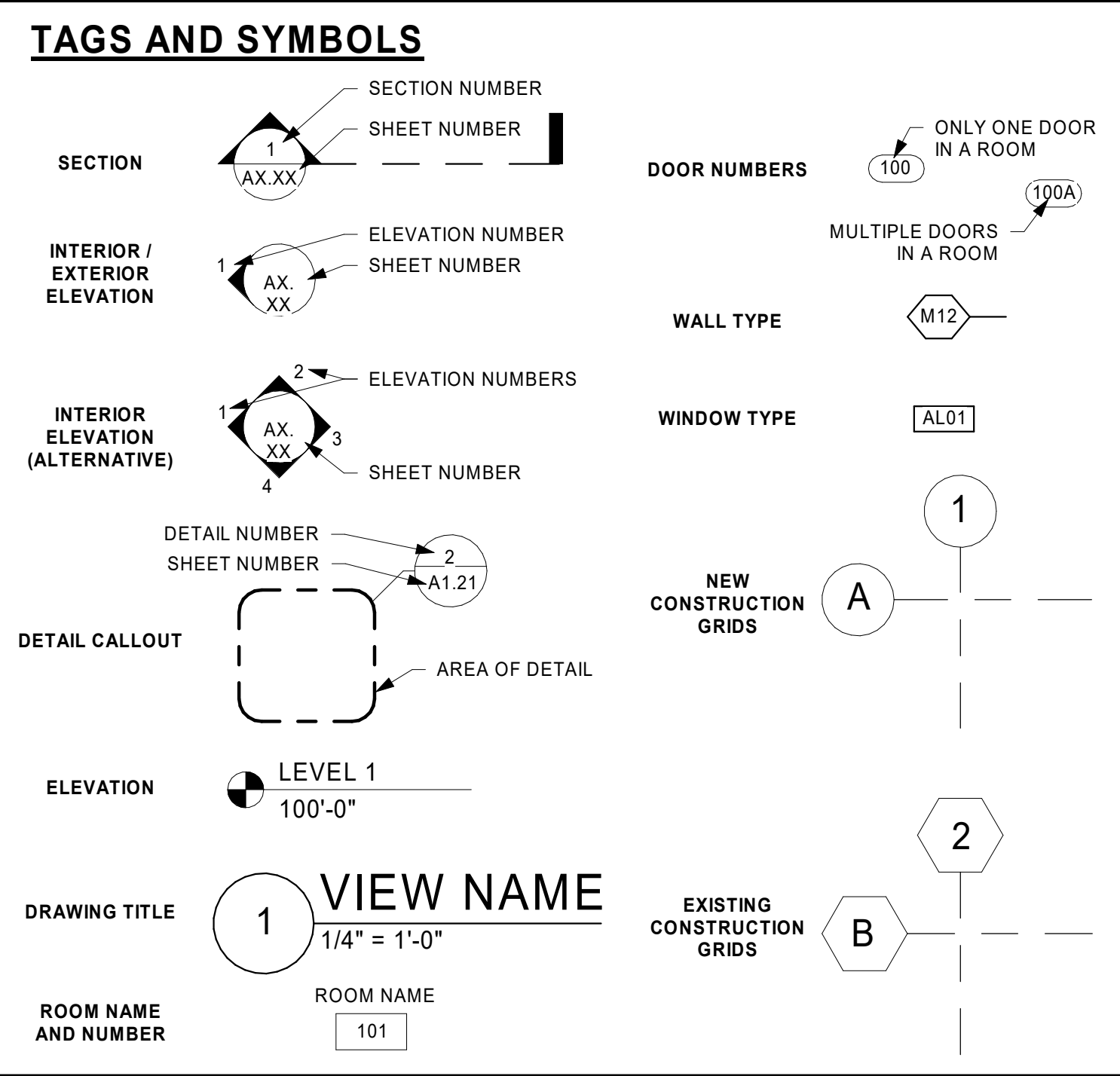
PROJECT NO. 18-21496
 FILE NAME 21496 Arch R18.rvt
 DRAWN BY SJR
 DESIGNED BY KMB
 REVIEWED BY KMB
 ORIGINAL ISSUE DATE
 CLIENT PROJECT NO.

TITLE
MOUNTING HEIGHTS AND STANDARDS, ABBREVIATIONS AND SYMBOLS

SHEET
G1-11

ABBREVIATIONS			
#	POUND OR NUMBER	EX	EXISTING
@	AT	EXP	EXPANSION
ACT.	ACOUSTICAL CEILING TILE	EXT	EXTERIOR
ADA	AMERICANS WITH DISABILITIES ACT	F&I	FURNISH AND INSTALL
ADD	ADDENDUM	FA	FRESH AIR
ADDL.	ADDITIONAL	FAP	FIRE ALARM ANNUNCIATOR PANEL
ADJ.	ADJACENT	FACP	FIRE ALARM CONTROL PANEL
AFF	ABOVE FINISH FLOOR	FD	FLOOR DRAIN
AHU	AIR HANDLING UNIT	FE	FIRE EXTINGUISHER
ALT	ALTERNATE	FEC	FIRE EXTINGUISHER CABINET
ALUM	ALUMINUM	FF	FLOOR FINISH
APPROX	APPROXIMATELY	FFE	FINISHED FLOOR ELEVATION
ARCH	ARCHITECTURAL	FRP	FIBERGLASS REINFORCED PLASTIC
B.O.	BOTTOM OF OR BY OWNER	FRZ	FREZZER
BO	BOARD	FT	FOOT OR FEET
BLDG	BUILDING	FTG	FOOTING
BRG	BEARING	GA	GAUGE
BSMT	BASEMENT	GALV	GALVANIZED
CG	CORNER GUARD	GC	GENERAL CONTRACTOR
CP	CAST IN PLACE	GFCI	GROUND FAULT CIRCUIT INTERRUPT
CJ	CONTROL JOINT	GL	GLAZING
CL	CENTERLINE	GYP	GYPSONUM
CLG	CEILING	HD	HUB/DRAIN
CLR	CLEAR	HDG	HOT DIP GALVANIZED
CM	CORRUGATED METAL	HOW	HARDWARE
CMU	CONCRETE MASONRY UNIT	HM	HOLLOW METAL
CONC	CONCRETE	HORIZ	HORIZONTAL
CONF	CONFERENCE	HSS	HOLLOW STRUCTURAL SECTION
CONT	CONTINUOUS	HT	HEIGHT
CPT	CABINET	HVAC	HEATING VENTILATION AND AIR CONDITIONING
CR	CHAIR RAIL	ID	INSIDE DIAMETER
CRK	CORK	IG	ISOLATED GROUND
CT	CERAMIC TILE	IMP	INSULATED METAL PANEL
CY	CUBIC YARD	INFO	INFORMATION
DEMO	DEMOLITION	INP	REINFORCED
DF	DRINKING FOUNTAIN	INSUL	INSULATION
DH	DOOR HOLDER (MAGNETIC)	INT	INTERIOR
DA	DIAMETER	JAN	JANITOR
DB	DECK	JBE	JOIST BEARING ELEVATION
EF	EXHAUST FAN	JST	JOIST
EIFS	EXTERIOR INSULATION FINISH SYSTEM	LAV	LAVATORY
ELEC	ELECTRICAL	LB	LONG LEG HORIZONTAL
ELEV	ELEVATION	LLV	LONG LEG VERTICAL
EMERG	EMERGENCY	LN	LINEAR
ENCL	ENCLOSURE	LVT	LUXURY VINYL TILE
EPDM	ETHYLENE PROPYLENE DIENE MONOMER	MATL	MATERIAL
EPXY	EPOXY	MAX	MAXIMUM
EQ	EQUAL	MECH	MECHANICAL
EQUIP	EQUIPMENT	MEZZ	MEZZANINE
ETC	ETCETERA	MFR	MANUFACTURER
EWC	ELECTRIC WATER COOLER	MH	MANHOLE
MN	MINIMUM	SUSP	SUSPENDED
MSC	MISCELLANEOUS	SV	SHEET VINYL
MO	MASONRY OPENING	SY	SQUARE YARDS
MTD	MOUNTED	T&G	TONGUE AND GROOVE
MULL	MULLION	T&P	TEMPERATURE AND PRESSURE
NA	NOT APPLICABLE	TBD	TO BE DETERMINED
NIC	NOT IN CONTRACT	TEL	TELEPHONE
NTS	NOT TO SCALE	TEMP	TEMPERATURE
OC / O.C.	ON CENTER	TER	TERRAZZO
OCEW / O.C.E.W.	ON CENTER EACH WAY	TO	TOP OF
OD	OUTSIDE DIAMETER	TOS	TOP OF STEEL
OH	OVERHEAD	TP	TOILET PARTITION
OL	OVERALL LENGTH	TR	TAMPER RESISTANT
OPNG	OPENING	TRANS	TRANSFORMER
ORD	OVERFLOW ROOF DRAIN NOZZLE	TS	TUBE STEEL THRESHOLD / TRANSITION STRIP
OSB	ORIENTED STRAND BOARD	TV	TELEVISION
PC	PHOTO CELL	TYP	TYPICAL
PLAM	PLASTIC LAMINATE	UH	UNIT HEATER
PLMP	PLASTIC LAMINATE WALL PANEL	UNO	UNLESS NOTED OTHERWISE
PNT	PAINT	VCT	VINYL COMPOSITE TILE
POLVETH	POLYETHYLENE	VERT	VERTICAL
POLYISO	POLYISOCYANURATE	VEST	VESTIBULE
PRV	POWER ROOF VENTILATOR	VFF	VERIFY IN FIELD
PVC	POLYVINYL CHLORIDE	VTR	VENT THROUGH ROOF
QT	QUARTZ	WV	WATER VENTILATOR
QTY	QUANTITY	WC	WATER CLOSET
RA	RETURN AIR	WFC	WALL COVERING
RB	RESILIENT BASE	WD	WOOD
RBR	RUBBER	WF	WALL FINISH
RCP	REFLECTED CEILING PLAN	WG	WALL GUARD
RD	ROOF DRAIN	WH	WALL HYDRANT
RD(O)	OVERFLOW ROOF DRAIN	WHTR	WATER HEATER
REF	REFLECTOR	WPF	WEATHERPROOF (ELEC)
REINP	REINFORCED	WVF	WELDED WIRE FABRIC
REQD	REQUIRED		
REV	REVISION / REVISED		
RM	ROOM		
RO	ROOF OPENING		
ROW / RW	RIGHT OF WAY		
RTU	ROOF TOP UNIT		
SA	SUPPLY AIR		
SC	SEALED CONCRETE		
SF	SQUARE FOOT		
SIM	SIMILAR		
SM	SURFACE MOUNTED		
SPEC	SPECIFICATION		
SS	SOLID SURFACE		
SSTL	STAINLESS STEEL		
STD	STANDARD		
STN	STONE		
STOR	STORAGE		

MATERIALS KEY	
	BATT INSULATION
	BRICK
	CONCRETE (SECTION)
	CMU (SECTION)
	EARTH
	GRANULAR FILL
	GRAVEL
	GYPSONUM BOARD OR SHEATHING
	RIGID INSULATION
	PLYWOOD
	SAND
	STEEL
	SYNTHETIC STUCCO
	WOOD
	SPRAY IN PLACE INSULATION



PRELIMINARY NOT FOR CONSTRUCTION



CODE SCHEDULE					
ROOM NUMBER	ROOM NAME	AREA	SPACE FUNCTION	AREA PER OCCUPANT	OCCUPANT LOAD
101	PREP BAY 1	560 SF	Business Areas	100	6
102	PREP BAY 2	578 SF	Business Areas	100	6
103	PREP BAY 3	578 SF	Business Areas	100	6
104	PREP BAY 4	559 SF	Business Areas	100	6
105	TR 2	48 SF	(none)		
106	TR 1	47 SF	(none)		
107	VESTIBULE	115 SF	(none)		
108	CLOSET	37 SF	(none)		
109	OFFICE 1	73 SF	Business Areas	100	1
110	OFFICE 2	72 SF	Business Areas	100	1
111	IT CLOSET	70 SF	(none)		
112	OFFICE 3	72 SF	Business Areas	100	1
113	OFFICE 4	72 SF	Business Areas	100	1
114	MECHANICAL ROOM	577 SF	(none)		
115	CAR WASH	1318 SF	(none)		

CODE DATA PLAN KEY	
	EXIT
	FIRE EXTINGUISHER
	FIRE EXTINGUISHER CABINET
	KNOX BOX

GENERAL CODE DATA

OWNER:
LA CROSSE REGIONAL AIRPORT
2850 AIRPORT ROAD
LA CROSSE, WISCONSIN 54601

ARCHITECT:
ISG
201 MAIN STREET, SUITE 1020
LA CROSSE, WISCONSIN 54601

BUILDING LOCATION:
CARWASH FACILITY
2840 AIRPORT ROAD
LA CROSSE, WI 54601

APPLICABLE CODES:
2015 INTERNATIONAL BUILDING CODE (IBC)
WITH WISCONSIN AMENDMENTS

OCCUPANCY CLASSIFICATIONS:
BUSINESS GROUP S-1: 5,290 SF
CONSTRUCTION TYPE: IIB

BASIC ALLOWABLE BUILDING AREA (IBC SECTION 503):
BASIC ALLOWABLE M AREA: 17,500 SF
ACTUAL AREA: 5,290 SF

BASIC ALLOWABLE BUILDING HEIGHT (IBC SECTION 503):
ALLOWABLE S-1 HEIGHT: 2 STORIES / 55 FEET
ACTUAL S-1 HEIGHT: 1 STORIES / 21 FEET

OCCUPANT LOAD:
STORAGE AREA (S-1 MODERATE HAZARD):
TOTAL OCCUPANCY = 28 OCCUPANTS

EXIT WIDTH:
MINIMUM REQUIRED EGRESS WIDTH:
(28 OCCUPANTS) / (0.2) = 5.6 INCHES
TOTAL EXIT WIDTH PROVIDED:
288 INCHES DIRECTLY TO EXTERIOR (8) 36" DOORS

PLUMBING FIXTURES REQUIRED:
BUSINESS GROUP B
28 OCCUPANTS / 2 = 14 MEN AND 14 WOMEN
1 PER 100 PERSONS = REQUIRED WATER CLOSETS
0.14 WATER CLOSETS FOR MEN
0.14 WATER CLOSETS FOR WOMEN
TOTAL PLUMBING FIXTURES REQUIRED:
0.14 WATER CLOSETS FOR MEN
0.14 WATER CLOSETS FOR WOMEN
0.14 LAVATORIES FOR MEN
0.14 LAVATORIES FOR WOMEN
1 MOP SINK

TOTAL PLUMBING FIXTURES PROVIDED:
1 WATER CLOSET FOR WOMEN
1 LAVATORY FOR MEN
1 LAVATORY FOR WOMEN
1 MOP SINK
1 DRINKING FOUNTAIN

THIS DOCUMENT IS THE PROPERTY OF I & S GROUP, INC. AND MAY NOT BE USED, COPIED OR DUPLICATED WITHOUT PRIOR WRITTEN CONSENT.

PROJECT
**LA CROSSE REGIONAL AIRPORT
CAR WASH FACILITY**

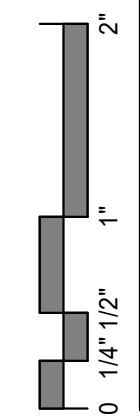
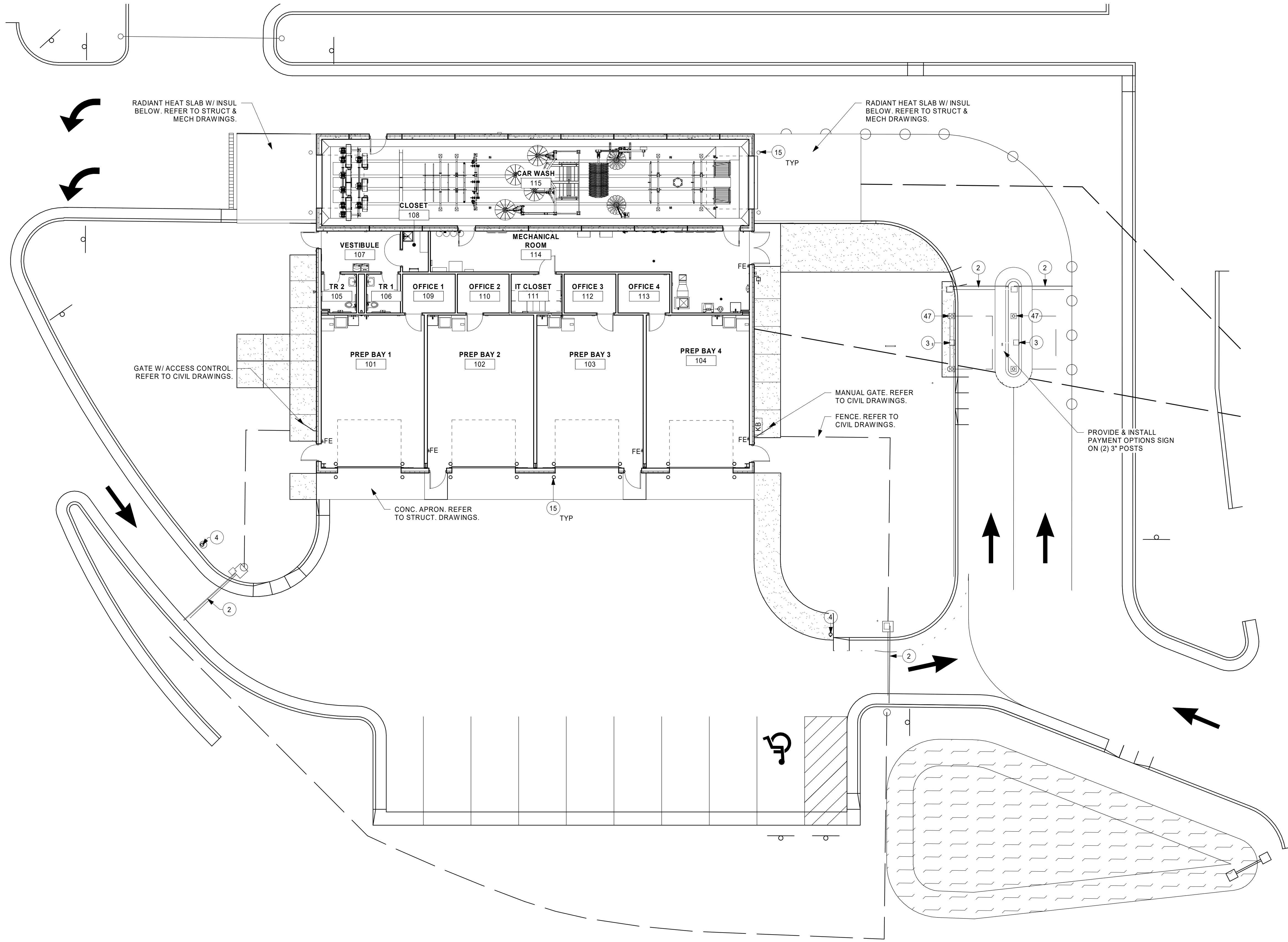
LA CROSSE WISCONSIN

REVISION SCHEDULE		
DATE	DESCRIPTION	BY

PROJECT NO.	18-21496
FILE NAME	21496 Arch R-18.rvt
DRAWN BY	SJR
DESIGNED BY	KMB
REVIEWED BY	KMB
ORIGINAL ISSUE DATE	01/14/2019
CLIENT PROJECT NO.	

TITLE
**ARCHITECTURAL
SITE AND CODE
DATA PLAN**

SHEET
G1-21

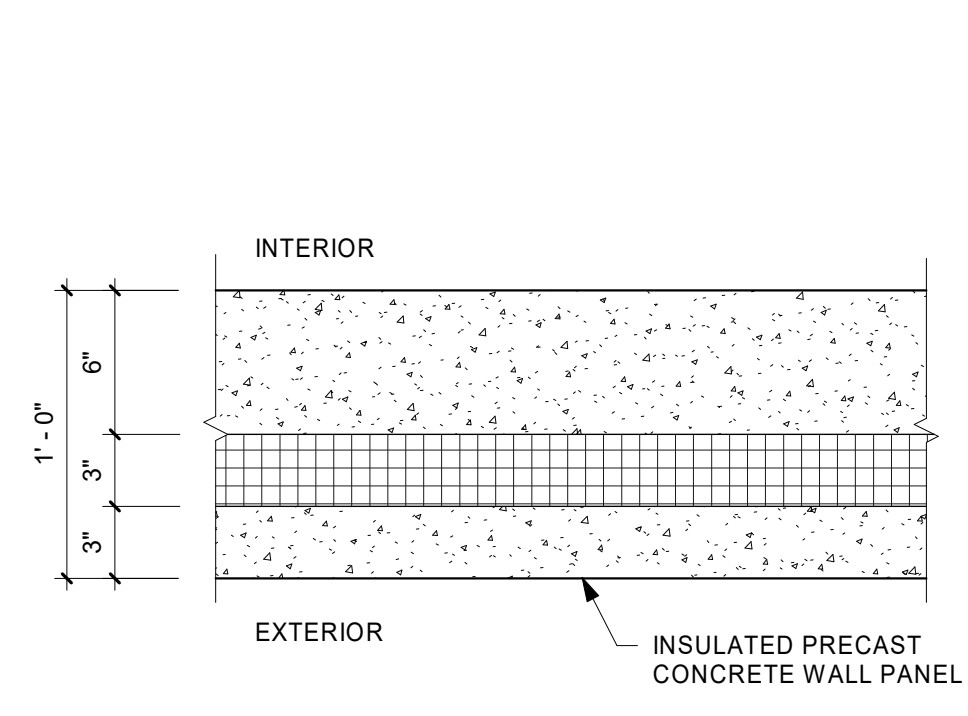


1 ARCHITECTURAL SITE AND CODE DATA PLAN
1" = 10'-0"

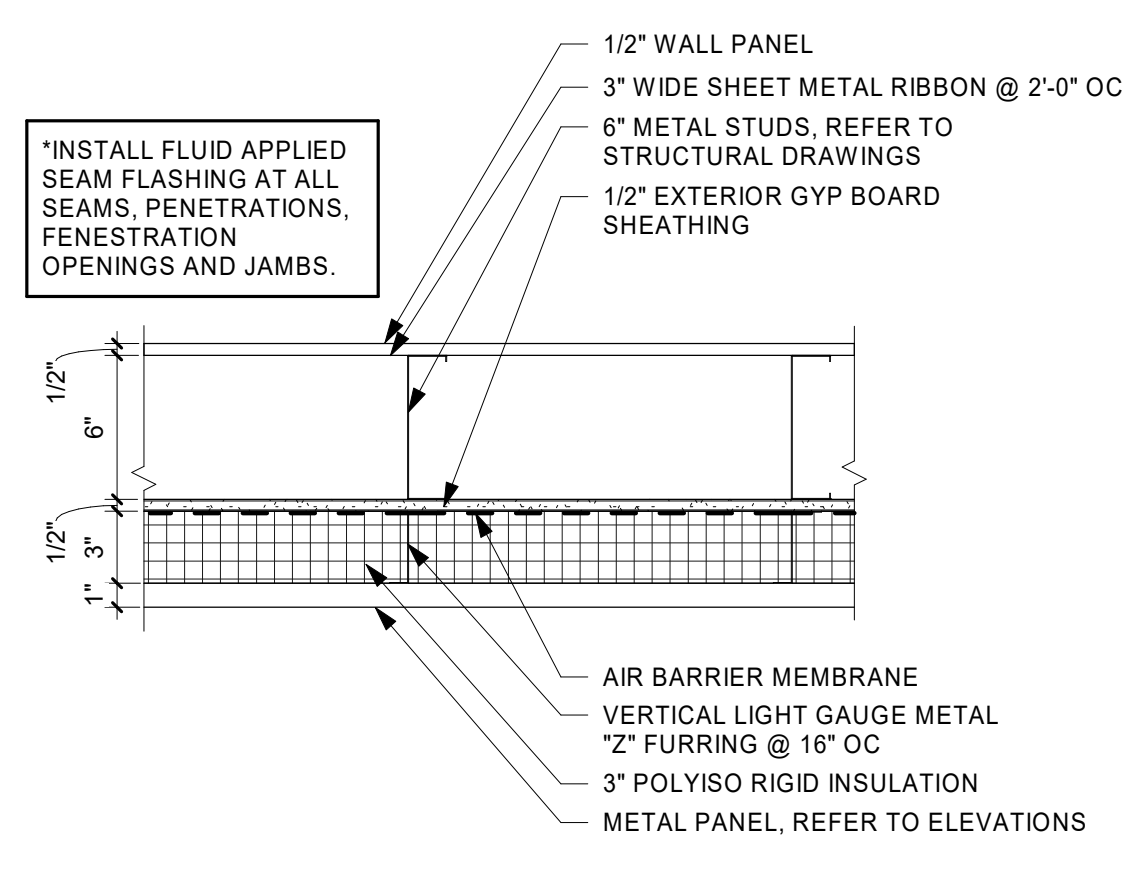


GENERAL INTERIOR PARTITION NOTES:

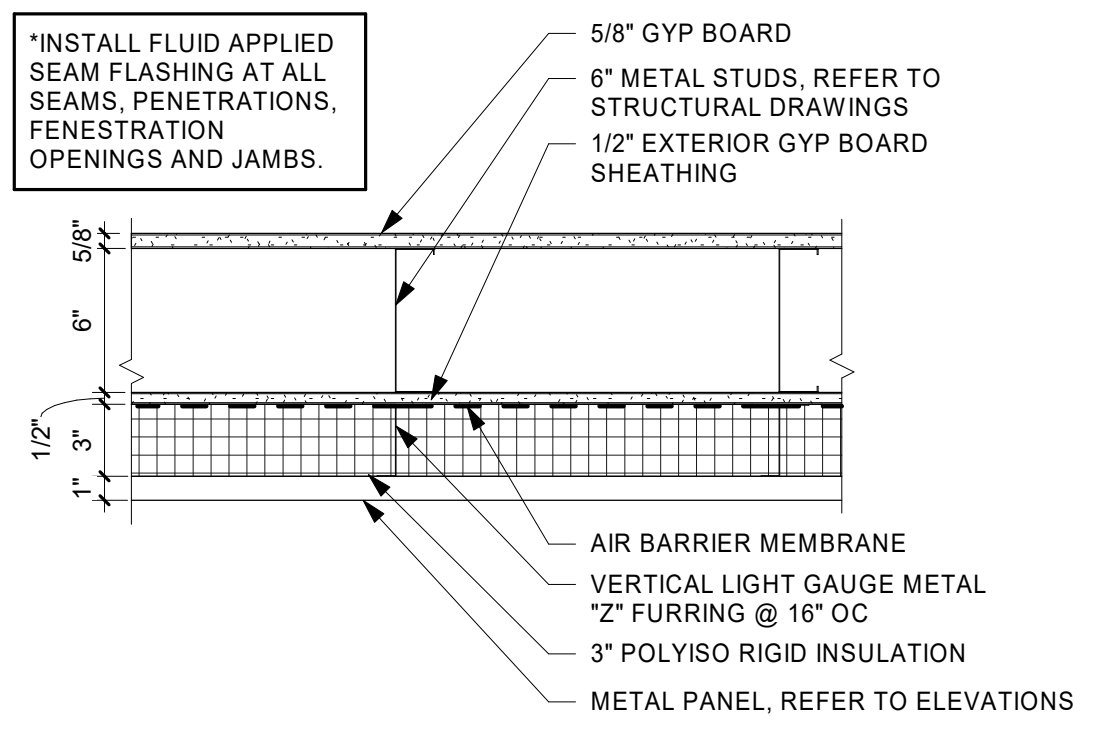
- NOT ALL WALL TYPES LISTED APPLY TO THIS PROJECT. REFER TO FLOOR PLAN FOR LOCATIONS AND ADDITIONAL NOTES.
- LIGHT GAUGE STEEL FRAMING MEMBER DESIGNATION SYSTEM: (REFER TO STRUCTURAL NOTES)
 - 600S125-54 (EQUIVALENT TO 6" x 16 GAUGE STUD OR JOIST WITH 1 1/4" FLANGES)
 - MINIMUM BASE METAL THICKNESS IN MILS. EXAMPLE - .054 = 54 MILS
 - 18 = 25 GAUGE
 - 27 = 22 GAUGE
 - 30 = 20 GAUGE (DRYWALL)
 - 33 = 20 GAUGE (STRUCTURAL)
 - 43 = 18 GAUGE
 - 54 = 16 GAUGE
 - 68 = 14 GAUGE
 - 97 = 12 GAUGE
 - FLANGE WIDTH (1/100 INCHES): EXAMPLE - 125 = 1.25"
 - STYLE: S = STUD OR JOIST SECTION (WITH FLANGE STIFFENERS) = □
 - T = TRACK SECTION = L
 - U = CHANNEL SECTION (STUDS WITHOUT FLANGE STIFFENERS) = C
 - F = FURRING CHANNEL = Z
 - Z = ZEE SECTION = Z
 - MEMBER DEPTH (1/100 INCHES): EXAMPLE - 600 = 6"
- IN ALL WET AREAS SUCH AS SHOWERS AND TUBS, INSTALL CEMENT-BASED BACKER BEHIND AREAS SCHEDULED TO RECEIVE TILE FINISH.
- ON ALL RESTROOM WALLS AND OTHER AREAS SCHEDULED TO RECEIVE FRP OR TILE FINISH, PROVIDE A MINIMUM OF 5/8" PLYWOOD.
- ALL PARTITIONS CONTAINING PLUMBING OR HAVING AN EXTERIOR FACE SHALL BE INSULATED.
- WHERE GYPSUM BOARD EXTENDS TO UNDERSIDE OF STRUCTURE ABOVE, STOP GYPSUM BOARD 1/2" BELOW LINE OF STRUCTURE AND SEAL AS REQUIRED.
- REFERENCE FLOOR FINISH PLANS AND WALL FINISH PLANS FOR ADDITIONAL FINISHES NOT INDICATED ON PARTITION TYPES.
- REFER TO MECHANICAL AND ELECTRICAL DRAWINGS FOR LOCATIONS OF WALL PENETRATIONS. SEAL ALL OPENINGS WITH ACOUSTICAL SEALANT.
- PROVIDE FIRE-TREATED WOOD OR STEEL BACKING FOR ALL WALL-MOUNTED FINISH CARPENTRY, ARCHITECTURAL WOODWORK, TOILET PARTITIONS, ACCESSORIES AND OTHER SIMILAR ITEMS.



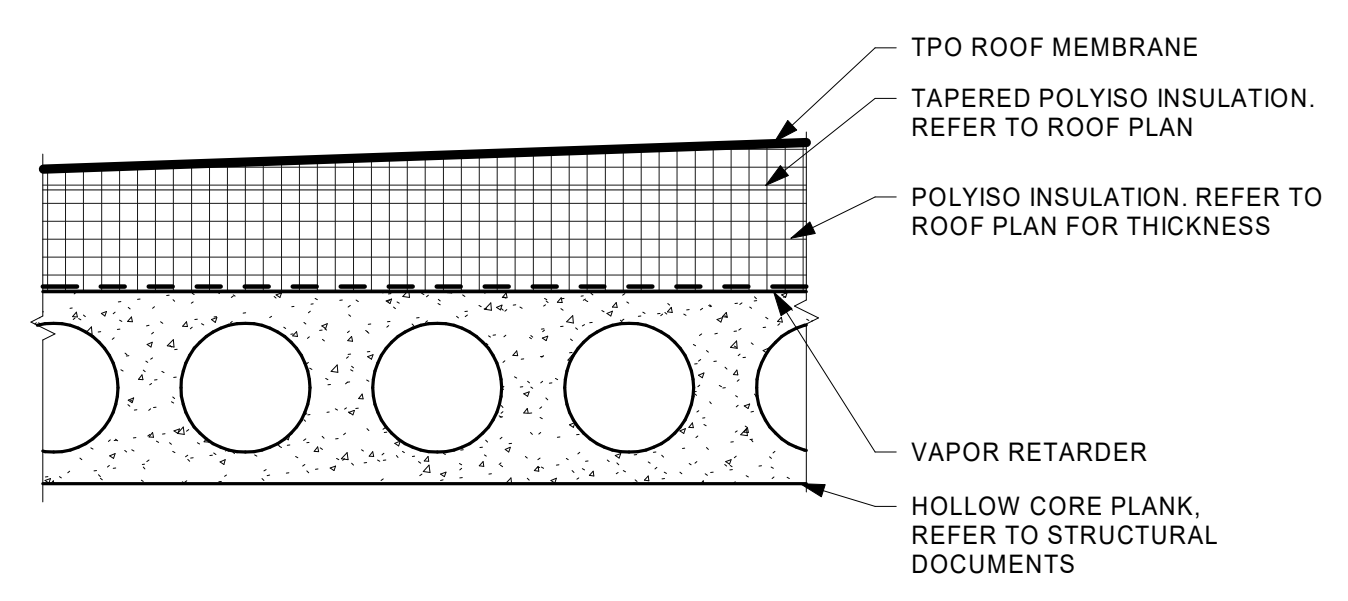
1 EXTERIOR WALL TYPE-EW1
1 1/2" = 1'-0"



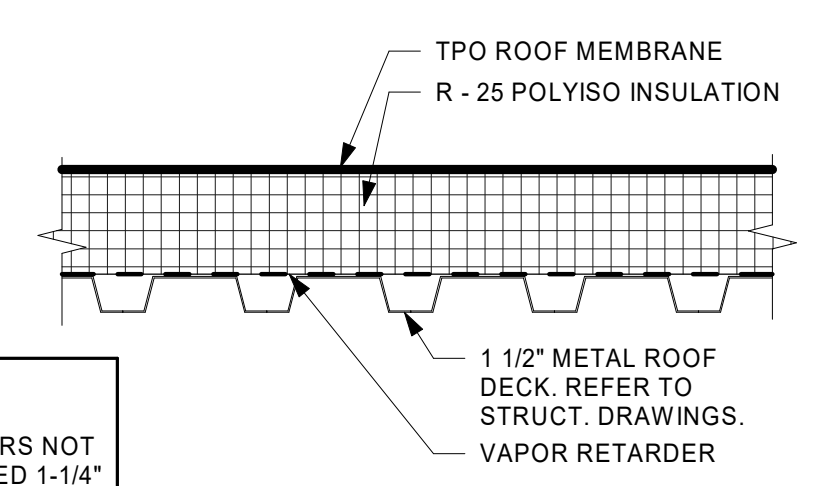
2 EXTERIOR WALL TYPE - EW2
1 1/2" = 1'-0"



3 EXTERIOR WALL- EW3
1 1/2" = 1'-0"

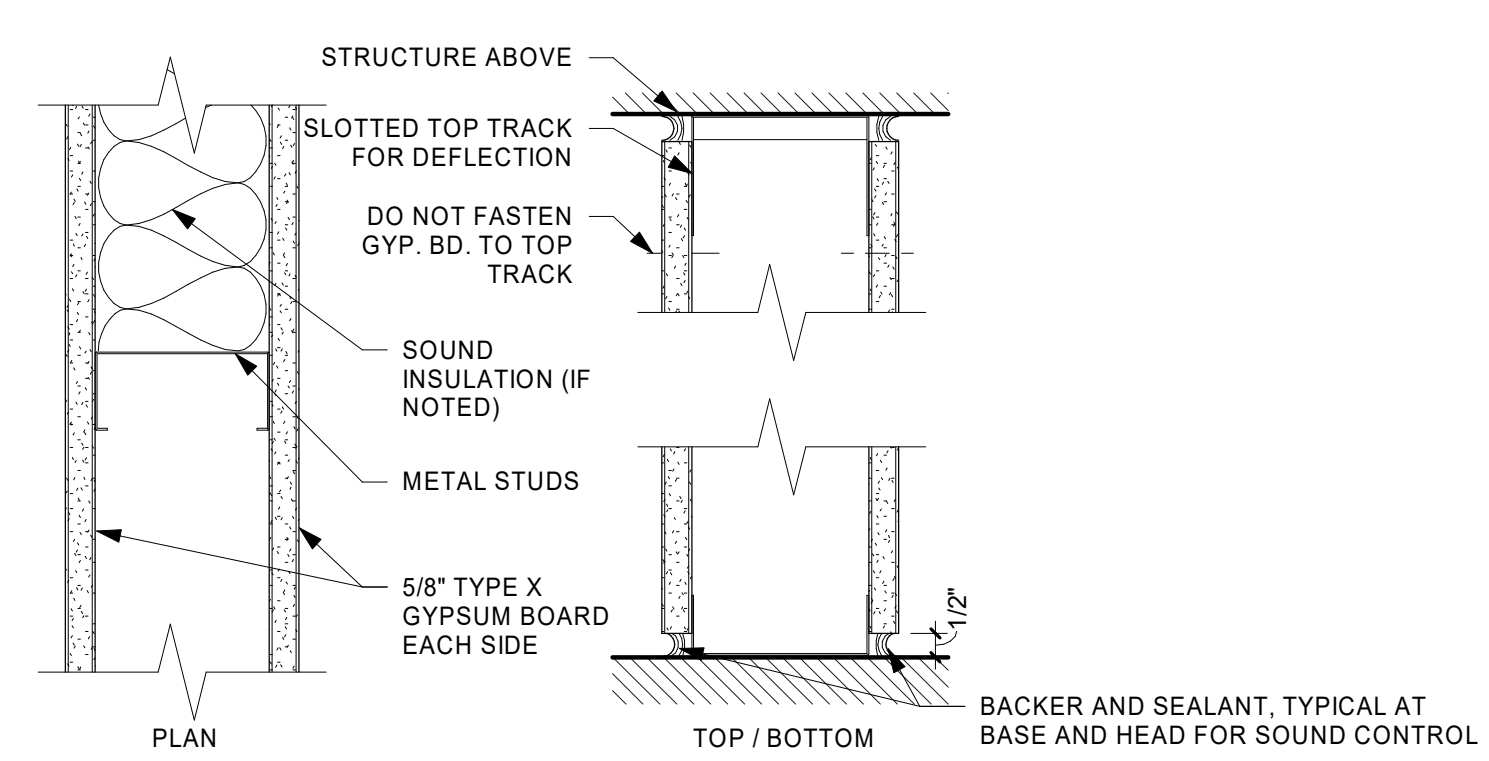


4 ROOF ASSEMBLY - R1
1 1/2" = 1'-0"



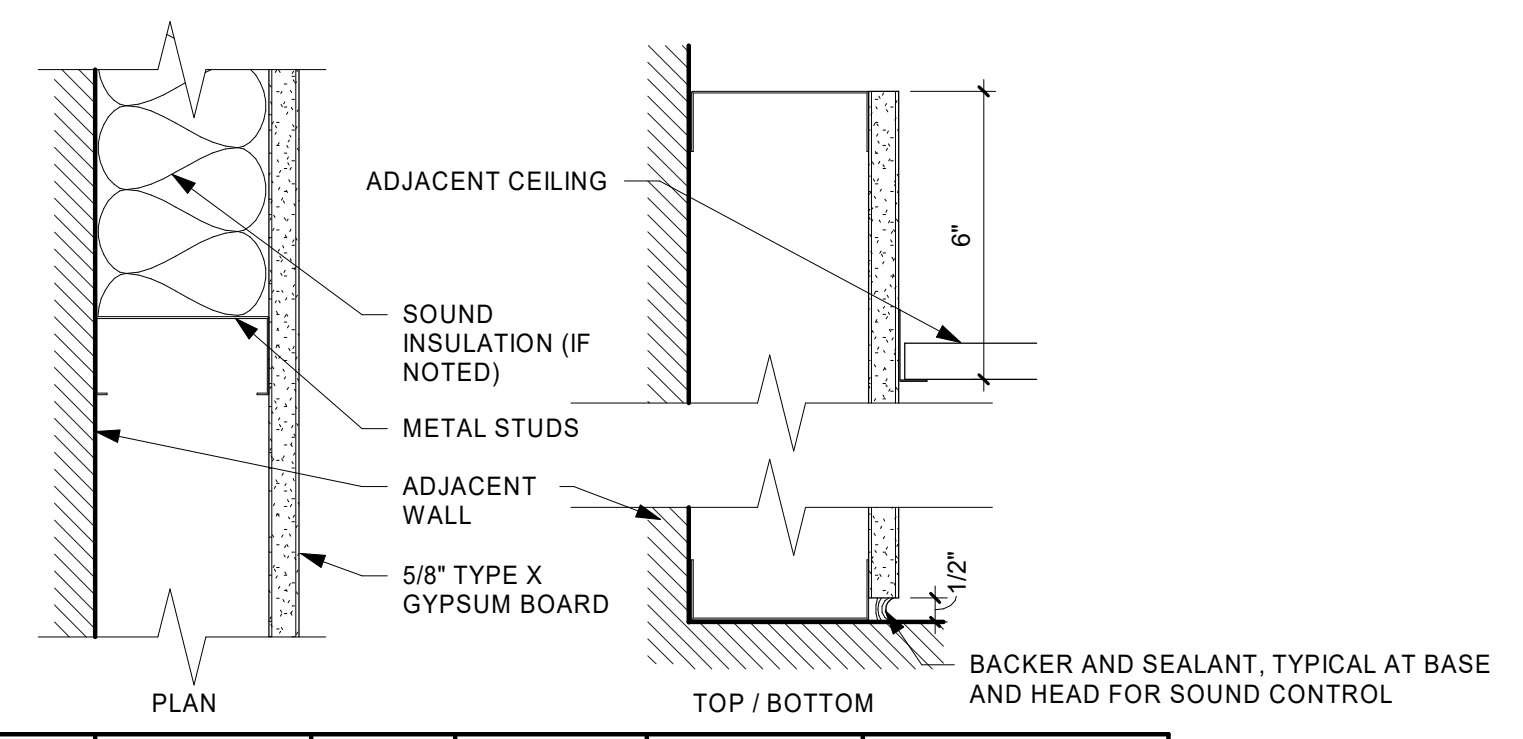
5 ROOF ASSEMBLY - R2
1 1/2" = 1'-0"

NOTE:
ROOF
FASTENERS NOT
TO EXCEED 1-1/4"
BELOW TOP OF
METAL DECK



WALL TYPE	STUD DESIGNATION	SPACING	MAX. HEIGHT (5 PSF, L/240)	KEY NOTES
<A0>	362S125-30	16"	15'-6"	1/2" WALL PANEL APPLIED WITH SHEET 3" SHEET METAL AT 2'-0" IN LIEU OF GYP BD ONE SIDE
<A1>	362S125-30	16"	15'-6"	1/2" WALL PANEL APPLIED WITH 3" SHEET METAL AT 2'-0" IN LIEU OF GYP BD ONE SIDE, 5/8" PLYWOOD SHEATHING IN LIEU OF GYP BD OTHER SIDE.
<A2>	362S125-30	16"	15'-6"	VAPOR RETARDER ONE SIDE
<A3>	362S125-30	16"	15'-6"	VAPOR RETARDER ONE SIDE, 5/8" PLYWOOD SHEATHING IN LIEU OF GYP BD OTHER SIDE
<A4>	362S125-30	16"	15'-6"	VAPOR RETARDER ONE SIDE, 5/8" PLYWOOD SHEATHING IN LIEU OF GYP BD OTHER SIDE
<A5>	362S125-30	16"	15'-6"	VAPOR RETARDER ONE SIDE, 5/8" PLYWOOD SHEATHING IN LIEU OF GYP BD OTHER SIDE
<A6>	600S125-30	16"	22'-11"	
<A7>	362S125-30	16"	15'-6"	1/2" WALL PANEL APPLIED WITH 3" SHEET METAL AT 2'-0" IN LIEU OF GYP BD ONE SIDE, VAPOR RETARDER UNDER GYP BOARD OTHER SIDE.

6 WALL TYPE A (METAL STUD PARTITION)
3" = 1'-0"



WALL TYPE	STUD DESIGNATION	SPACING	KEY NOTES
<B1>	250S125-30	16"	
<B2>	250S125-30	16"	5/8" PLYWOOD SHEATHING IN LIEU OF GYP BD
<B3>	362S125-30	16"	
<B4>	362S125-30	16"	5/8" PLYWOOD SHEATHING IN LIEU OF GYP BD

7 WALL TYPE B (METAL STUD FURRING)
3" = 1'-0"

THIS DOCUMENT IS THE PROPERTY OF I & S GROUP, INC. AND MAY NOT BE USED, COPIED OR DUPLICATED WITHOUT PRIOR WRITTEN CONSENT.

PROJECT
LA CROSSE REGIONAL AIRPORT CAR WASH FACILITY

LA CROSSE WISCONSIN

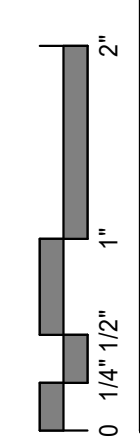
REVISION SCHEDULE		
DATE	DESCRIPTION	BY

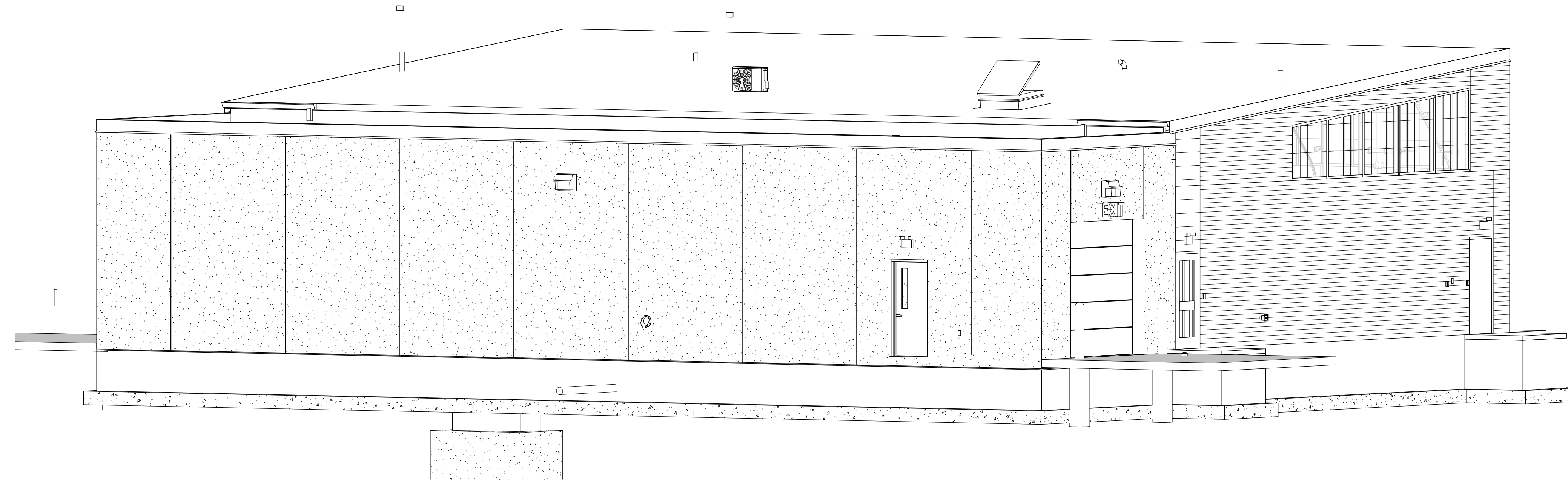
PROJECT NO. 18-21496
FILE NAME 21496 Arch R18.rvt
DRAWN BY SJR
DESIGNED BY KMB
REVIEWED BY KMB
ORIGINAL ISSUE DATE 01/14/2019
CLIENT PROJECT NO.

TITLE
CONSTRUCTION ASSEMBLIES & PARTITION TYPES

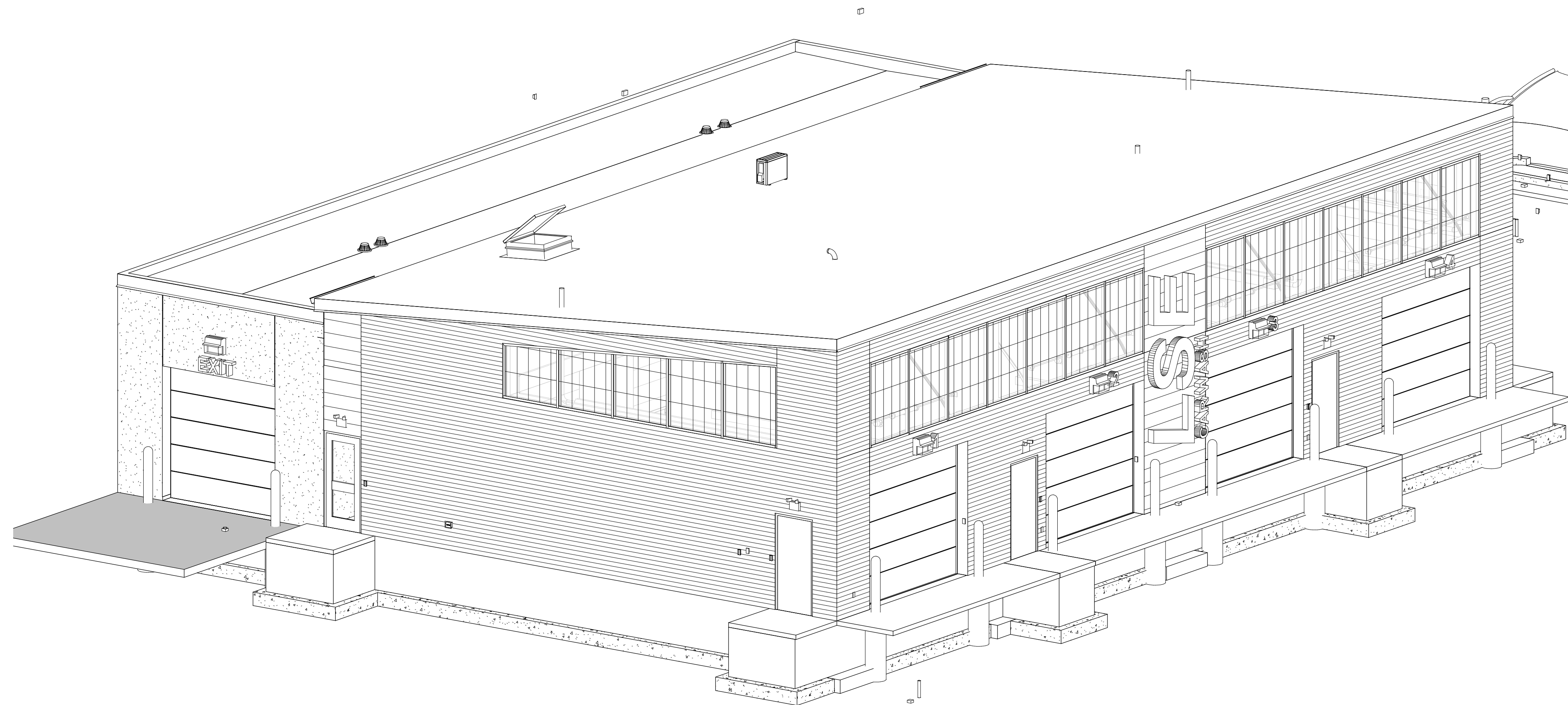
SHEET
A1-01

PRELIMINARY NOT FOR CONSTRUCTION





1 VIEW FROM NORTH WEST



2 VIEW FROM NORTH EAST

THIS DOCUMENT IS THE PROPERTY OF I & S GROUP, INC. AND MAY NOT BE USED, COPIED OR DUPLICATED WITHOUT PRIOR WRITTEN CONSENT.

PROJECT
**LA CROSSE
REGIONAL
AIRPORT
CAR WASH
FACILITY**

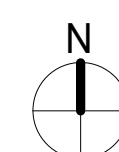
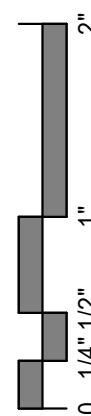
LA CROSSE WISCONSIN

REVISION SCHEDULE		
DATE	DESCRIPTION	BY

PROJECT NO. 18-21496
 FILE NAME 21496 Arch R18.rvt
 DRAWN BY SJR
 DESIGNED BY KMB
 REVIEWED BY KMB
 ORIGINAL ISSUE DATE 01/14/2019
 CLIENT PROJECT NO.

TITLE
3D VIEWS

SHEET
A1-11

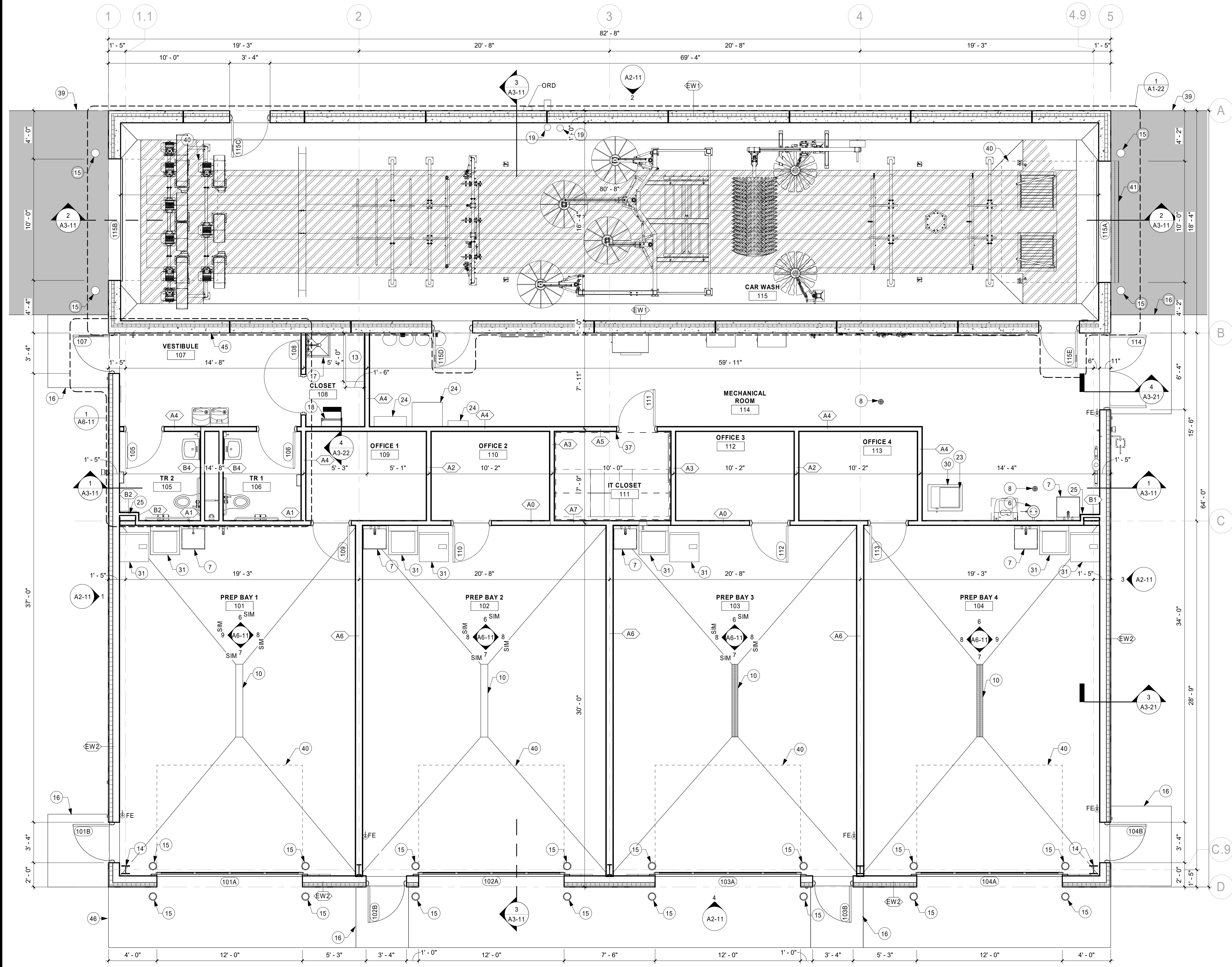


PRELIMINARY NOT FOR CONSTRUCTION



- FLOOR PLAN SHEET NOTES**
- ALL INTERIOR PARTITION WALLS SHALL BE WALL TYPE A3, UNLESS OTHERWISE NOTED.
 - DIMENSIONS ARE FROM FACE OF MASONRY/ CONCRETE AND CENTER OF ASSEMBLY FOR STUD WALL, UNLESS NOTED OTHERWISE.
 - HOUSEKEEPING AND EQUIPMENT PADS BY GENERAL CONTRACTOR. SEE FIRE PROTECTION, PLUMBING, HVAC & ELECTRICAL PLANS FOR LOCATIONS
 - FIRE STOP ALL PENETRATIONS INCLUDING BUT NOT LIMITED TO STEEL JOISTS & BEAMS, PIPING AND DUCTWORK THRU RATED WALLS.

- KEYNOTE LEGEND**
- | | |
|----|---|
| 6 | EYEWASH STATION, REFER TO MECHANICAL DOCUMENTS. |
| 7 | UTILITY SINK, REFER TO MECHANICAL DOCUMENTS. |
| 8 | FLOOR DRAIN, REFER TO MECHANICAL DOCUMENTS. |
| 10 | TRENCH DRAIN, REFER TO PLUMBING DRAWINGS. |
| 13 | ADJUSTABLE WIRE SHELVING. |
| 14 | STRUCTURAL COLUMN, PAINT. REFER TO STRUCTURAL DRAWINGS. |
| 15 | BOLLARD, REFER TO STRUCTURAL DRAWINGS. |
| 16 | STOOP, REFER TO STRUCTURAL DRAWINGS FOR DETAIL. |
| 17 | MOP SINK, REFER TO PLUMBING DOCUMENTS. |
| 18 | ROOF LADDER, REFER TO ROOF PLANS AND DETAIL. |
| 19 | ROOF LEADER, REFER TO PLUMBING DRAWINGS. |
| 23 | MECHANICAL EQUIPMENT, REFER TO MECHANICAL DRAWINGS. |
| 24 | ELECTRICAL EQUIPMENT, REFER TO ELECTRICAL PLANS. |
| 25 | FURR OUT AROUND STRUCTURAL COLUMN. |
| 30 | 4" CONCRETE PAD FOR MECHANICAL EQUIPMENT. SIZING AND LOCATION TO BE VERIFIED IN FIELD. REINFORCE WITH #3 BARS @ 18" OCEW. BOND TO SLAB BELOW WITH #3 DOWELS @ 24" OC. |
| 31 | WASHER AND DRYER SHOWN FOR REFERENCE ONLY. REFER TO MECHANICAL AND ELECTRICAL DOCUMENTS. |
| 37 | VAPOR RETARDER, REFER TO WALL TYPES. |
| 39 | RADIANT HEAT SLAB WITH DRAIN AND INSUL BELOW. REFER TO STRUCT & MECH DRAWINGS. |
| 40 | OVERHEAD DOOR, REFER TO DOOR SCHEDULE AND DETAILS. |
| 41 | EXTERIOR TRENCH DRAIN, REFER TO CIVIL DRAWINGS. |
| 45 | DEDICATION PLAQUE AT 4'-4" AFF. REFER TO DEDICATION PLAQUE DETAIL ON SHEET A6-11. |
| 46 | PREP BAY APRON, REFER TO STRUCTURAL DRAWINGS FOR DETAIL. |



1 FLOOR PLAN
1/4" = 1'-0"

THIS DOCUMENT IS THE PROPERTY OF I & S GROUP, INC. AND MAY NOT BE USED, COPIED OR DUPLICATED WITHOUT PRIOR WRITTEN CONSENT.

PROJECT
LA CROSSE REGIONAL AIRPORT CAR WASH FACILITY

LA CROSSE WISCONSIN

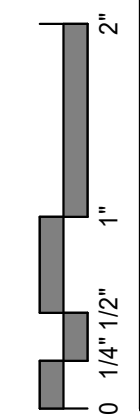
REVISION SCHEDULE		
DATE	DESCRIPTION	BY

PROJECT NO. 18-21496
 FILE NAME 21496 Arch R18.rvt
 DRAWN BY SJR
 DESIGNED BY KMB
 REVIEWED BY KMB
 ORIGINAL ISSUE DATE 01/14/2019
 CLIENT PROJECT NO.

TITLE
FLOOR PLAN

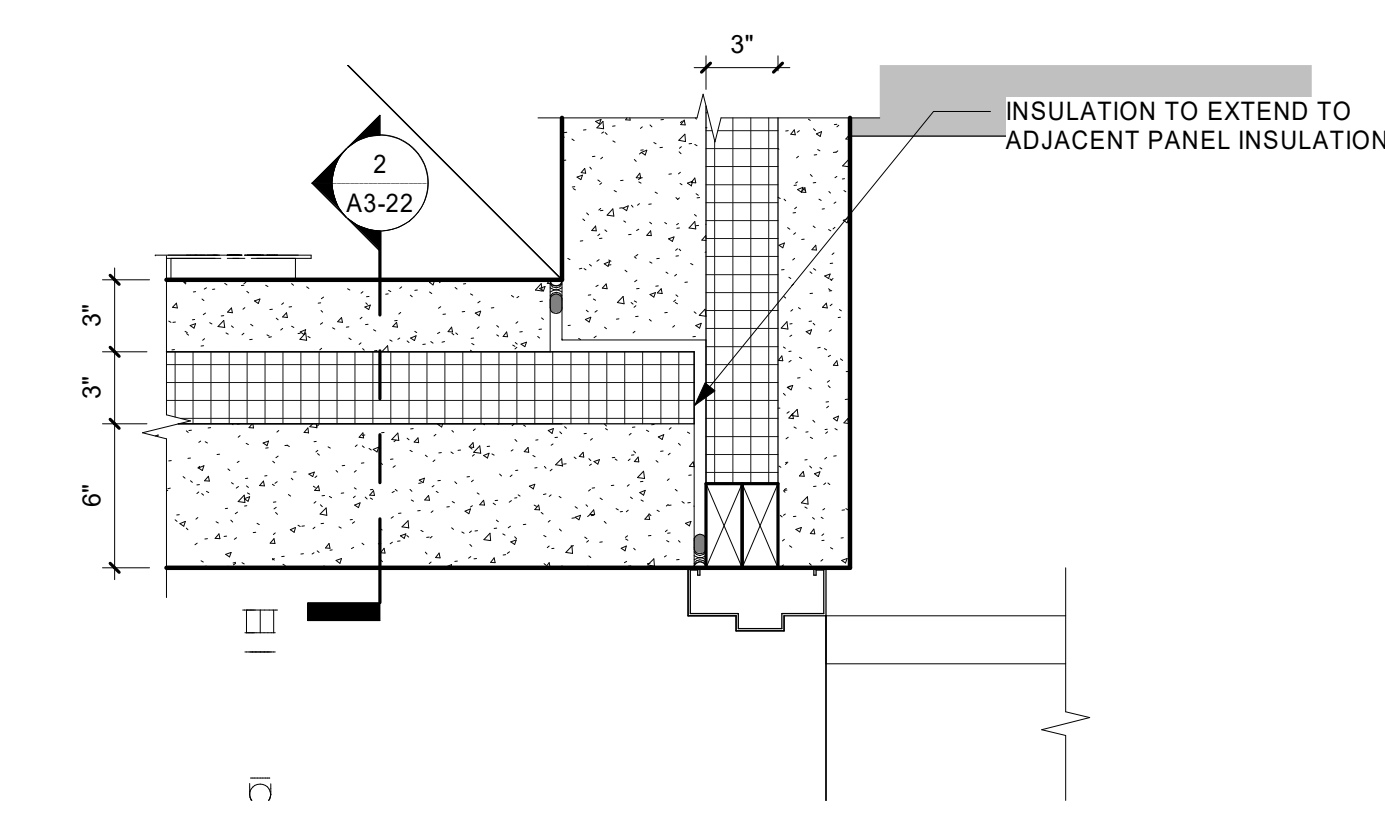
SHEET
A1-21

PRELIMINARY NOT FOR CONSTRUCTION

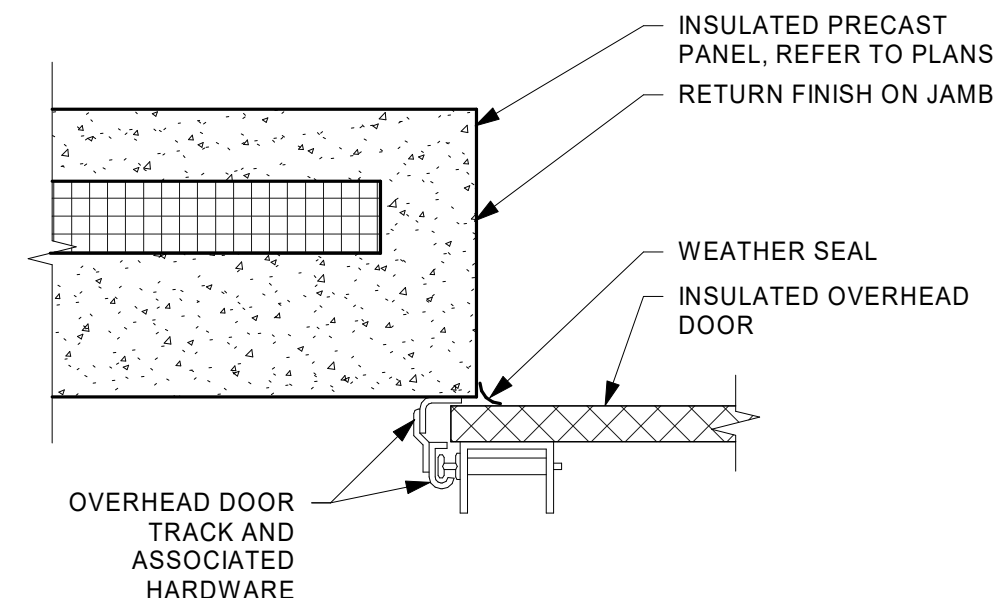




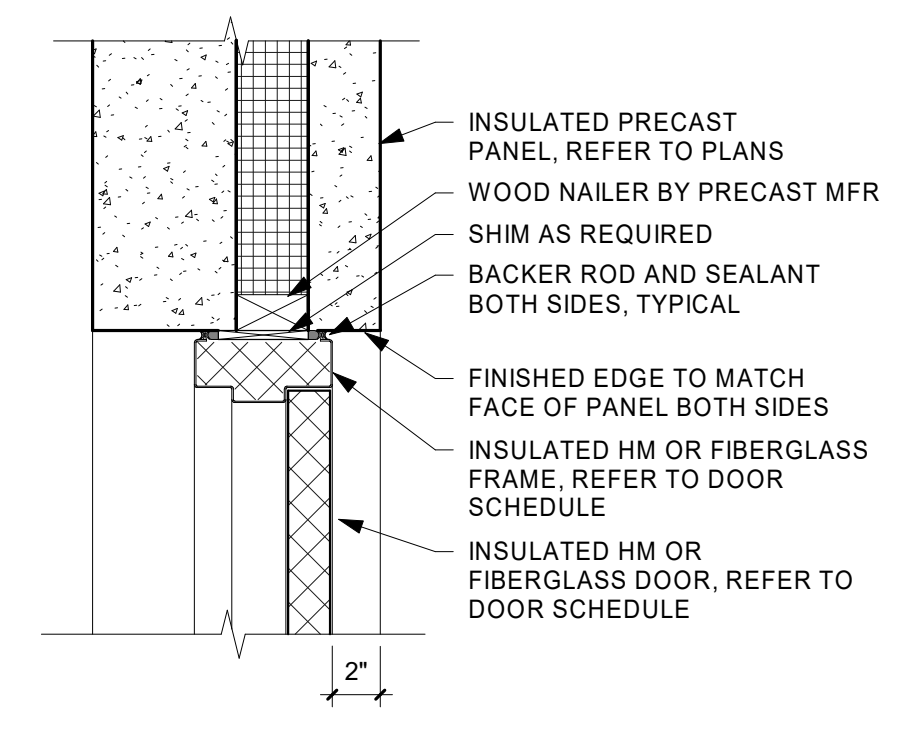
KEYNOTE LEGEND	
5	PRESTRESSED CONCRETE TO HAVE ACID ETCH FINISH THIS SIDE
15	BOLLARD. REFER TO STRUCTURAL DRAWINGS.
42	PIPING FOR ROOF DRAIN, REFER TO MECHANICAL DOCUMENTS.



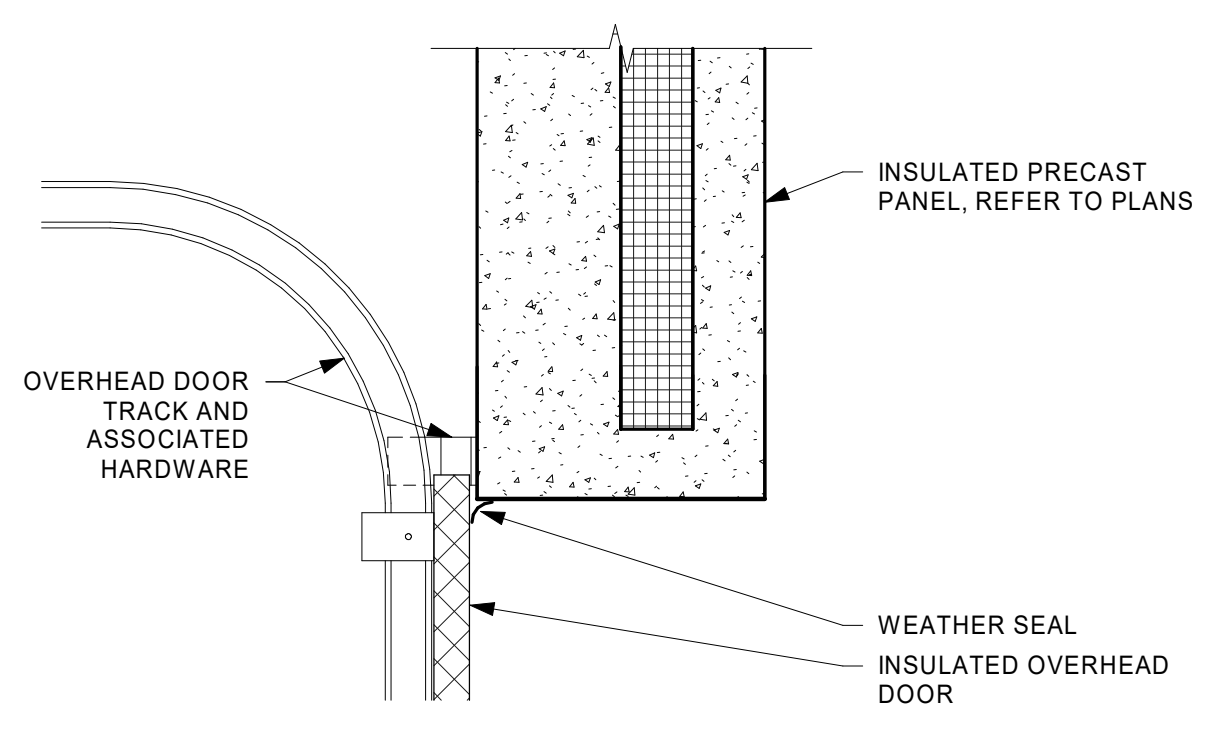
2 PRECAST CORNER DETAIL
1 1/2" = 1'-0"



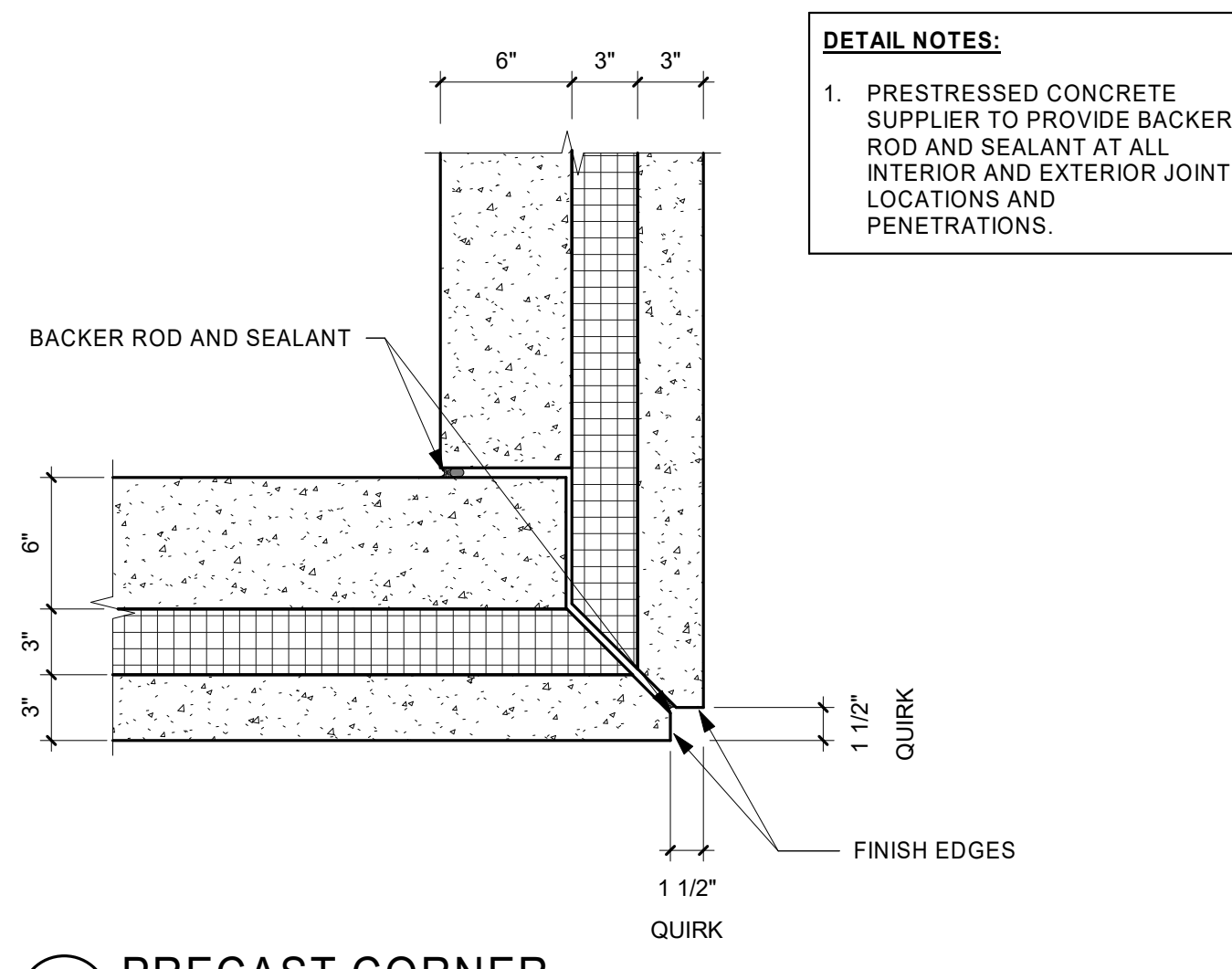
3 OH DOOR JAMB AT PRECAST
1 1/2" = 1'-0"



4 HM DOOR HEAD AT PRECAST (JAMB SIM)
1 1/2" = 1'-0"

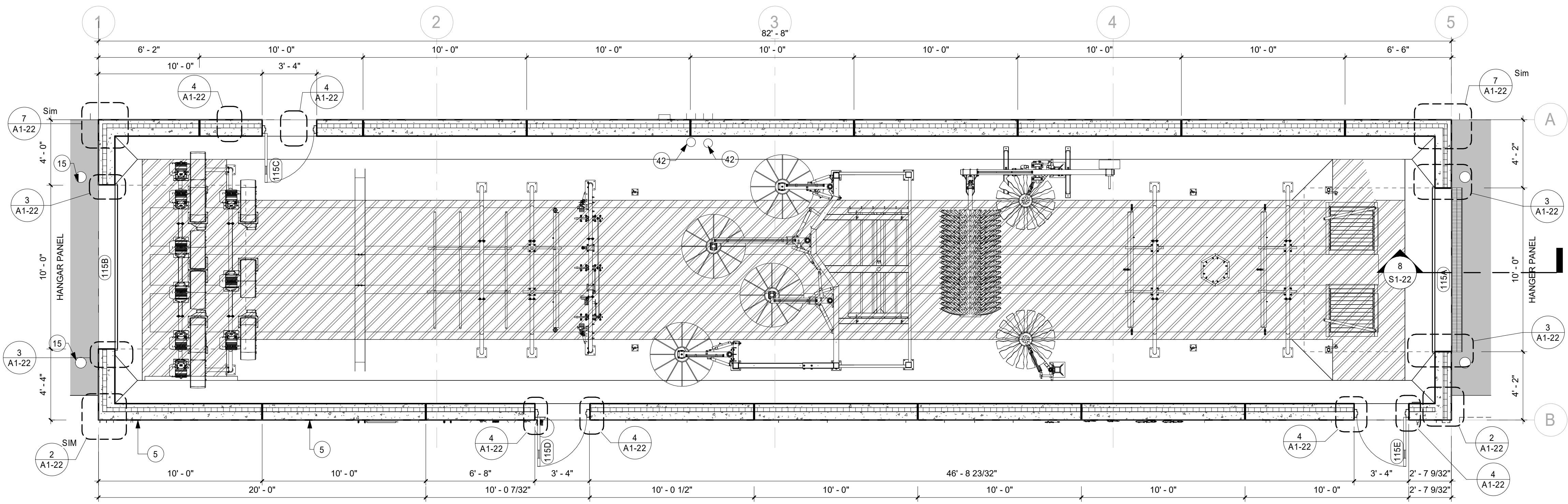


6 OH DOOR HEAD AT PRECAST
1 1/2" = 1'-0"



7 PRECAST CORNER
1 1/2" = 1'-0"

DETAIL NOTES:
1. PRESTRESSED CONCRETE SUPPLIER TO PROVIDE BACKER ROD AND SEALANT AT ALL INTERIOR AND EXTERIOR JOINT LOCATIONS AND PENETRATIONS.



1 CARWASH
1/4" = 1'-0"

THIS DOCUMENT IS THE PROPERTY OF I & S GROUP, INC. AND MAY NOT BE USED, COPIED OR DUPLICATED WITHOUT PRIOR WRITTEN CONSENT.

PROJECT
LA CROSSE REGIONAL AIRPORT CAR WASH FACILITY

LA CROSSE WISCONSIN

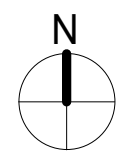
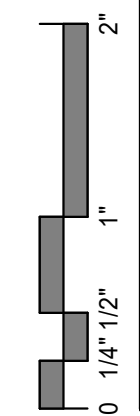
REVISION SCHEDULE		
DATE	DESCRIPTION	BY

PROJECT NO. 18-21496
FILE NAME 21496 Arch R18.rvt
DRAWN BY SJR
DESIGNED BY KMB
REVIEWED BY KMB
ORIGINAL ISSUE DATE 01/14/2019
CLIENT PROJECT NO.

TITLE
PRECAST PLAN

SHEET
A1-22

PRELIMINARY NOT FOR CONSTRUCTION





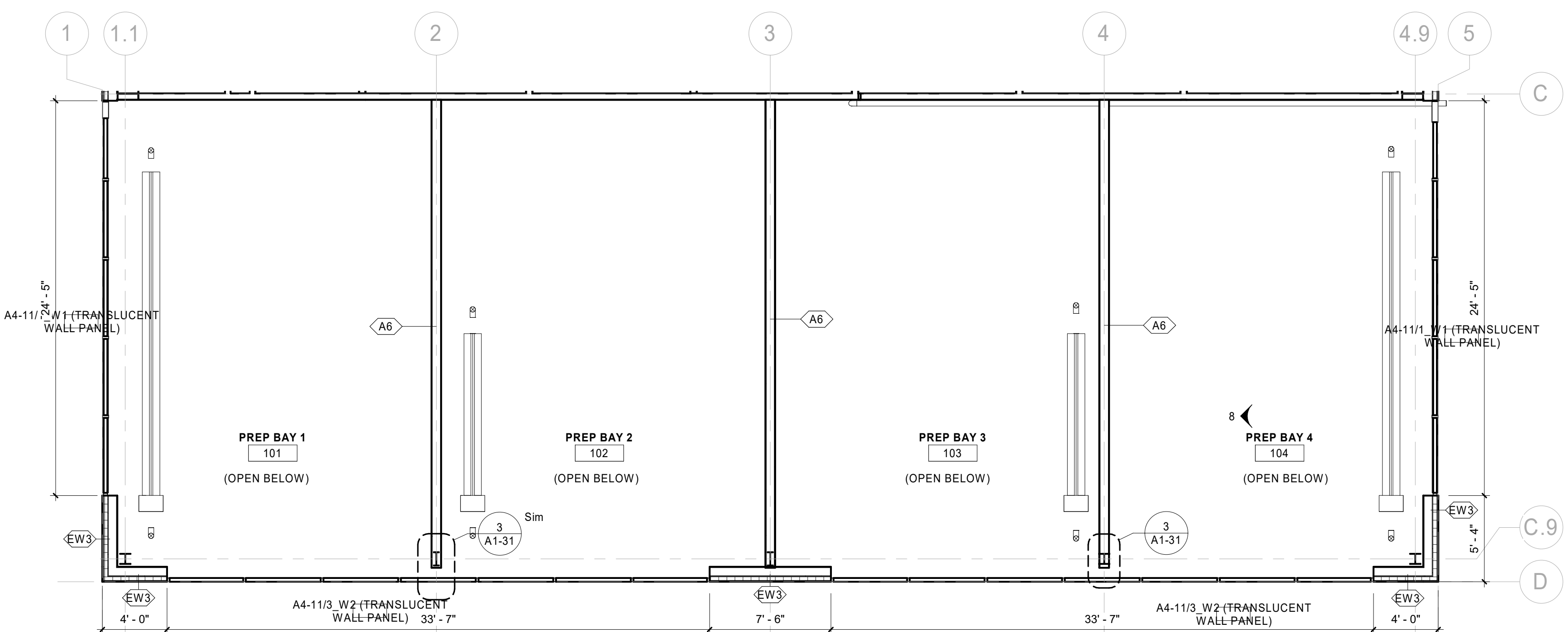
- FLOOR PLAN SHEET NOTES**
- ALL INTERIOR PARTITION WALLS SHALL BE WALL TYPE A3, UNLESS OTHERWISE NOTED.
 - DIMENSIONS ARE FROM FACE OF MASONRY/ CONCRETE AND CENTER OF ASSEMBLY FOR STUD WALL, UNLESS NOTED OTHERWISE.
 - HOUSEKEEPING AND EQUIPMENT PADS BY GENERAL CONTRACTOR. SEE FIRE PROTECTION, PLUMBING, HVAC & ELECTRICAL PLANS FOR LOCATIONS.
 - FIRE STOP ALL PENETRATIONS INCLUDING BUT NOT LIMITED TO STEEL JOISTS & BEAMS, PIPING AND DUCTWORK THRU RATED WALLS.

- REFLECTED CEILING PLAN SHEET NOTES**
- COORDINATE WITH MECHANICAL, PLUMBING, AND ELECTRICAL FOR EXACT LOCATIONS OF CEILING FIXTURES, DIFFUSERS, SPRINKLER HEADS, ETC.
 - RECESSED LIGHT FIXTURES, SPEAKERS, EXIT LIGHTS, SMOKE DETECTORS, ETC. TO BE LOCATED IN THE EXACT CENTER OF CEILING TILES.
 - REFER TO HVAC PLANS FOR THE LOCATION OF ANY AND ALL PLENUM CEILING SPACES. ALL WALLS AND SOFFITS CREATING THE PLENUM SHALL EXTEND TO THE UNDERSIDE OF STRUCTURE ABOVE AND BE SEALED.

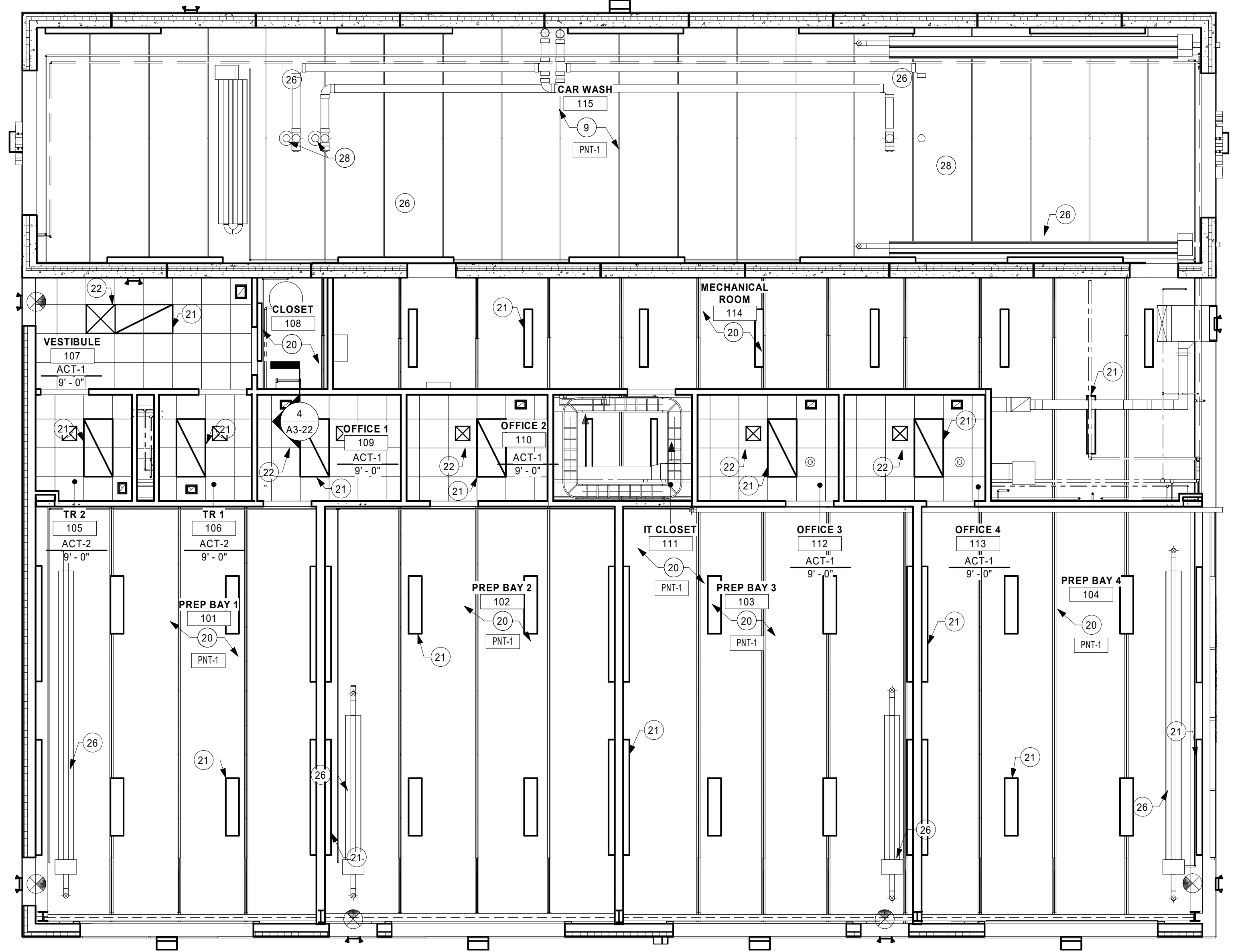
CEILING FINISH SCHEDULE

MARK	MATERIAL TYPE	MANUFACTURER	MODEL	SIZE	COLOR	GRID	COMMENTS
ACT-1	ACOUSTICAL CEILING TILE	ARMSTRONG	DUNE - SQUARE LAY-IN	24" X 24" X 7/8"	WHITE	15/16" PRELUDE-WHITE	
ACT-2	GYPSON BOARD	ARMSTRONG	CLEAN ROOM VL	24" X 24" X 7/8"	WHITE	15/16" CLEAN ROOM-WHITE	
PNT-1	DRYFALL	SHERWINN WILLIAMS	SILVERPOINTE 7653 239 - C1	SATIN	SATIN FINISH		GENERAL COLOR UNLESS OTHERWISE NOTED

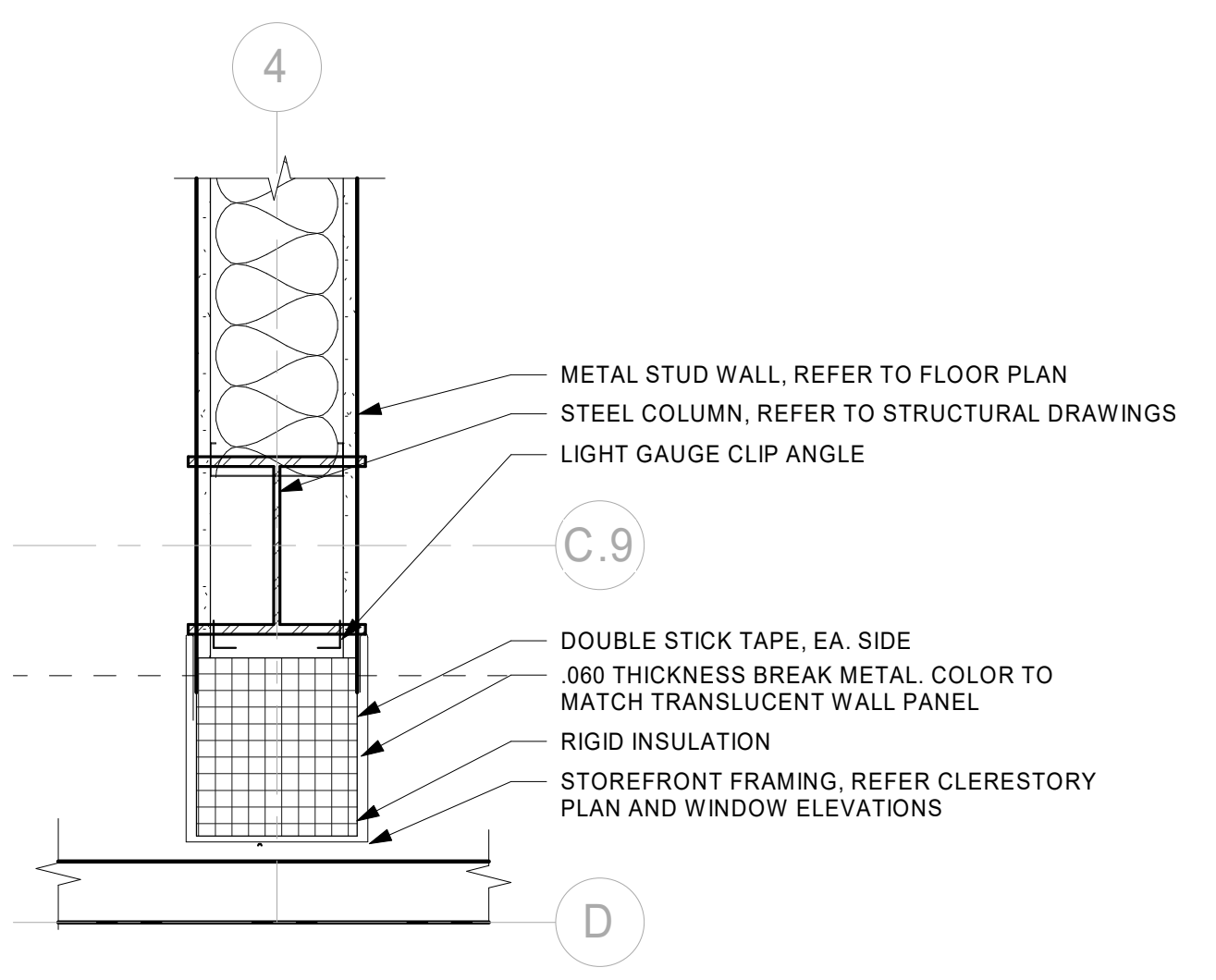
- KEYNOTE LEGEND**
- 9 EPOXY PAINT FINISH ON UNDERSIDE OF PRESTRESSED HOLLOW-CORE PLANK. ALL PANEL JOINTS TO HAVE A BACKER AND SEALANT.
 - 20 EXPOSED TO STRUCTURE.
 - 21 LIGHT FIXTURE, REFER TO ELECTRICAL DRAWINGS, TYP.
 - 22 MECHANICAL DIFFUSERS, REFER TO MECHANICAL DRAWINGS, TYP.
 - 24 ELECTRICAL EQUIPMENT, REFER TO ELECTRICAL PLANS.
 - 26 MECHANICAL EQUIPMENT MOUNTED ON UNDERSIDE OF PRECAST HOLLOW-CORE PLANK. REFER TO MECHANICAL DRAWINGS.
 - 28 ROOF DRAIN, REFER TO MECHANICAL DRAWINGS.



1 CLERESTORY FLOOR PLAN
3/16" = 1'-0"



2 REFLECTED CEILING PLAN
3/16" = 1'-0"



3 STUD WALL TO GLAZING -DETAIL
1 1/2" = 1'-0"

THIS DOCUMENT IS THE PROPERTY OF I & S GROUP, INC. AND MAY NOT BE USED, COPIED OR DUPLICATED WITHOUT PRIOR WRITTEN CONSENT.

PROJECT
LA CROSSE REGIONAL AIRPORT
CAR WASH FACILITY

LA CROSSE WISCONSIN

REVISION SCHEDULE

DATE	DESCRIPTION	BY

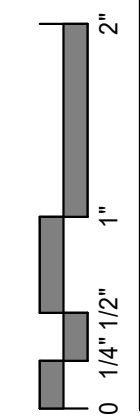
PROJECT NO.	18-21496
FILE NAME	21496 Arch R18.rvt
DRAWN BY	SJR
DESIGNED BY	KMB
REVIEWED BY	KMB
ORIGINAL ISSUE DATE	01/14/2019
CLIENT PROJECT NO.	

TITLE
CLERESTORY & REFLECTED CEILING PLAN

SHEET

A1-31

PRELIMINARY NOT FOR CONSTRUCTION





PRELIMINARY NOT FOR CONSTRUCTION

PAINT SCHEDULE				
MARK	MANUFACTURER	COLOR	FINISH	COMMENTS
PNT-1	SHERWIN WILLIAMS	SILVERPOINTE 7653 239-C1	SATIN	GENERAL COLOR UNLESS OTHERWISE NOTED
PNT-2	SHERWIN WILLIAMS	EARL GRAY 7660 238-C6	SEMI-GLOSS	HOLLOW METAL DOORS & FRAMES

FLOOR FINISH SCHEDULE							
MARK	MATERIAL TYPE	MANUFACTURER	SERIES / PATTERN	SIZE	COLOR	INSTALLATION	COMMENTS
EPX-1	EPOXY	TENNANT COATINGS	EPOXY QUARTZ SR-HTS	NOMINAL 1/8"	STONE GRAY	DOUBLE BROADCAST QUARTZ, ECO-URE EPOXY SEAL COAT, ECO-HTS 100 URETHANE TOPCOAT	--
SC-1	SEALED CONCRETE	TENNANT COATINGS	ECO-HARD-N-SEAL	-	CLEAR	-	-

WALL BASE SCHEDULE						
MARK	MATERIAL TYPE	MANUFACTURER	SIZE	COLOR	SERIES	COMMENTS
B-1	FLASH COVE	TENNANT COATINGS	6"	MATCH ADJACENT FLOORING COLOR & FINISH	FLASH COVE	--
B-2	RESILIENT	JOHNSONITE	4"	MEDIUM GRAY 28	TRADITIONAL COVE	-

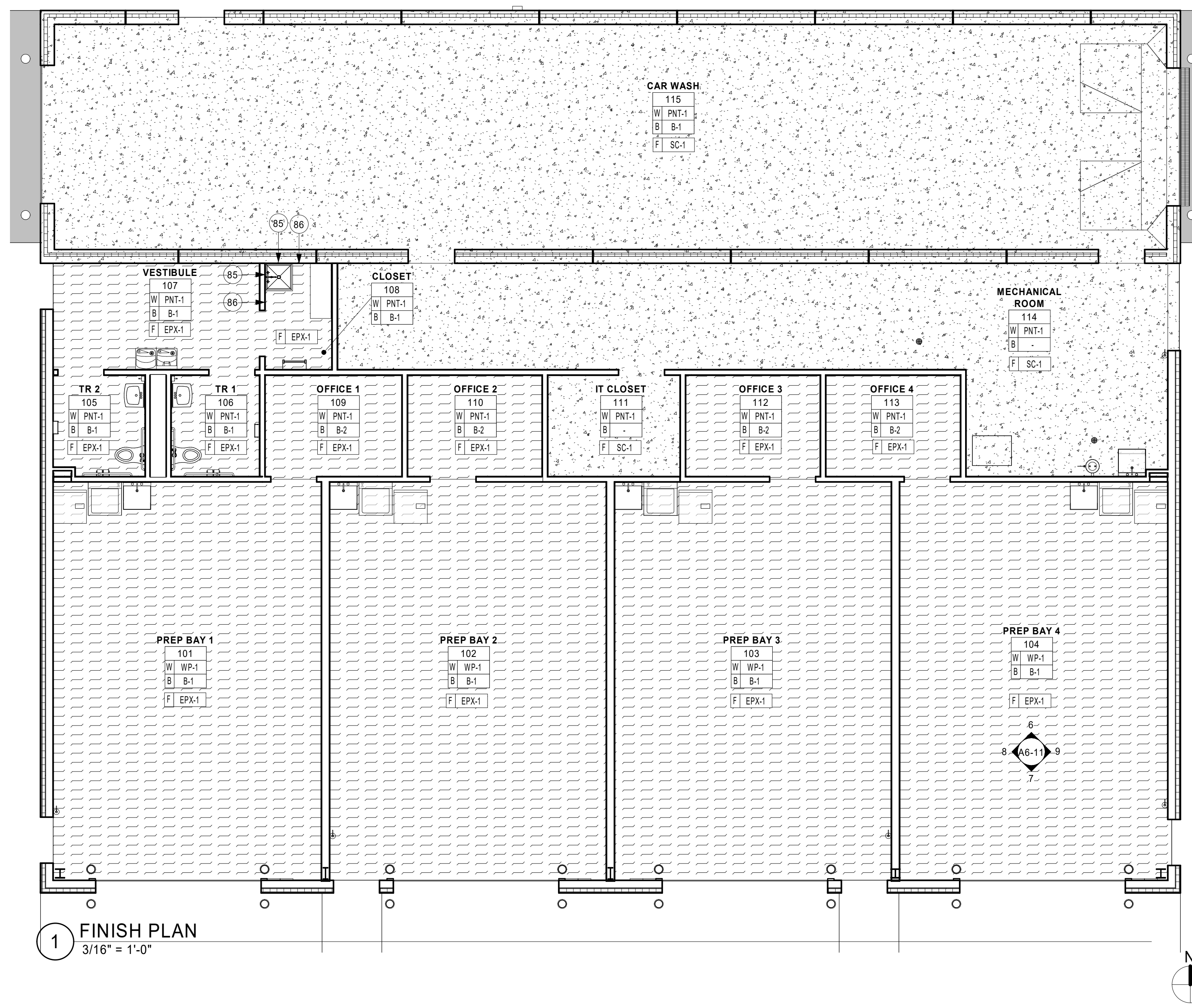
WALL FINISH SCHEDULE							
MARK	MATERIAL TYPE	MANUFACTURER	SERIES	SIZE	COLOR	INSTALLATION	COMMENTS
FRP-1	FRP WALL PANEL	PANOLAM	FRP	4'Hx8'W	WHITE	INSTALL ON WALLS ADJACENT TO MOP SINK	-
WP-1	WALL PANEL	TRUSS CORE	-	12'H	GRAY	-	PROVIDE THE FOLLOWING TRIM PIECES: "J" AT TOP, BASE TRIM AT BOTTOM, PROVIDE SILICONE BEAD AT SEAMS

MISCELLANEOUS SCHEDULE				
MATERIAL TYPE	MANUFACTURER	PROFILE	COLOR	COMMENTS
STAINLESS STEEL WIRE SHELVING	U-LINE	4X18X34; MODEL NO. H-6828	STAINLESS	-
REGULATORY SIGNAGE	SEE SPEC	SEE SPEC	AS SELECTED BY DESIGNER FROM STANDARD OPTIONS	-

- ### PROJECT FINISH NOTES
- SOME SPECIFIED PRODUCTS AND FINISHES MAY HAVE SUBSTANTIAL LEAD TIMES. THE CONTRACTOR SHALL BE RESPONSIBLE FOR PLACING ORDERS IN A MANNER TO ENSURE THEIR TIMELY ARRIVAL. THE CONTRACTOR SHALL BE RESPONSIBLE FOR EXPENSES, INCLUDING DESIGN FEES, RELATED TO ANY RESELECTIONS REQUIRED DUE TO FAILURE TO ORDER PRODUCTS IN A TIMELY MANNER.
 - ALL FINISH WORK SHALL BE PERFORMED IN COMPLIANCE WITH DRAWINGS AND SPECIFICATIONS, SHOP DRAWINGS, SAMPLES, AND PRODUCT DATA SHALL BE SUBMITTED TO THE ARCHITECT FOR THEIR REVIEW PRIOR TO BEGINNING WORK.
 - WOOD DOORS, FRAMES, BASE MOLDING TO BE FILLED, STAINED, SEALED AND SHOP FINISHED TO MATCH ARCHITECT'S SAMPLE. WORK SHOULD BE PERFORMED IN A DUST FREE ENVIRONMENT.
 - UNLESS OTHERWISE INDICATED, PROVIDE PRODUCTS OF QUALITY SPECIFIED BY AIA/AWMA/CWI ARCHITECTURAL WOODWORK STANDARDS FOR CUSTOM GRADE.
 - INSTALL FIRE TREATED BLOCKING AS REQUIRED IN ALL PARTITIONS TO RECEIVE COUNTERS, SHELVING, MARKER BOARDS, ETC.
 - ALL UPPER CABINETS TO BE 14" OUTSIDE DIMENSION, UNLESS NOTED OTHERWISE.
 - ALL EXPOSED ENDS OF CABINETS TO HAVE FINISHED END PANELS.
 - VERIFY GROMMET LOCATIONS WITH OWNER.
 - IN-WALL OR WALL SUPPORT BRACKETS TO BE PAINTED TO MATCH WALL FINISH, UNLESS NOTED OTHERWISE.
 - TELEVISIONS TO BE SUPPLIED BY OWNER AND INSTALLED BY CONTRACTOR; REFER TO ELEC DOCUMENTS FOR MOUNTING HEIGHTS.
 - APPLIANCES PROVIDED BY OWNER, INSTALLED BY CONTRACTOR.
 - ALL WALLS TO RECEIVE PNT-1 & B-1, UNLESS NOTED OTHERWISE.
 - EXTEND ALL FLOORING UNDER FURNITURE, DESKS AND COUNTERS, UNLESS NOTED OTHERWISE. EXTEND ONLY TILE FLOORING UNDER CASEWORK, UNLESS NOTED OTHERWISE.
 - ALL TRANSITIONS TO BE CENTERED UNDER DOOR IN CLOSED POSITION, UNLESS NOTED OTHERWISE.
 - ALL CARPET-TO-CARPET TRANSITIONS TO BE ADHERED SEAMS, UNLESS NOTED OTHERWISE.
 - REFER TO THE INSTALLATION SYMBOL FOR FLOORING INSTALLATION DIRECTION.
 - HATCH PATTERNS ON FLOOR FINISH PLAN INDICATE LOCATIONS OF DIFFERENT FLOORING TYPES.
 - CARPET INSTALLATION SHALL USE LOCK RELEASE GLUE, UNLESS NOTED OTHERWISE.

KEYNOTE LEGEND

85	OMIT FLASH COVE AT MOP SINK.
86	PROVIDE FRP-1 TO 4'-0" A.F.F. ON WALLS ADJACENT TO MOP SINK.



1 FINISH PLAN
3/16" = 1'-0"

THIS DOCUMENT IS THE PROPERTY OF I & S GROUP, INC. AND MAY NOT BE USED, COPIED OR DUPLICATED WITHOUT PRIOR WRITTEN CONSENT.

PROJECT
LA CROSSE REGIONAL AIRPORT CAR WASH FACILITY

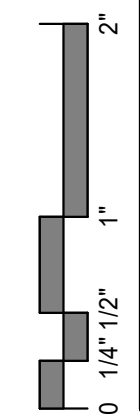
LA CROSSE WISCONSIN

REVISION SCHEDULE		
DATE	DESCRIPTION	BY

PROJECT NO. 18-21496
FILE NAME 21496 Arch R18.rvt
DRAWN BY 6
DESIGNED BY 8
REVIEWED BY 9
ORIGINAL ISSUE DATE 8/16/11
CLIENT PROJECT NO. 7

TITLE
FINISH PLAN AND FINISH LEGENDS

SHEET
A1-41





2 ENLARGED ROOF EDGE DETAIL
6" = 1'-0"

3 ROOF DRAIN AND OVERFLOW DETAIL
3/4" = 1'-0"

4 TERM BAR DETAIL
3" = 1'-0"

ROOF PLAN SHEET NOTES

- FIELD VERIFY EXACT QUANTITY, SIZE AND LOCATIONS OF ROOF HOODS, VENTS, DRAINS, EQUIPMENT, ETC.
- ALL VENT-THRU PIPES SHALL BE EXTENDED, AS NECESSARY, TO PROTECT MINIMUM OF 12" ABOVE FINISHED ELEVATION OF ROOFING. FLASH ALL VENTS WITH PREMOLDED PIPE BOOTS WITH STAINLESS STEEL CLAMPING RING. ANY THAT EXTEND ABOVE THE PARAPET HEIGHT AND ARE VISIBLE FROM GROUND LEVEL SHALL BE PAINTED, UNLESS NOTED OTHERWISE.
- ALL ROOF TOP CURBS TO BE SADDLES WITH MINIMUM 1/2" PER FOOT PITCH.
- WALKWAY PADS TO BE INSTALLED AT ROOF ACCESS POINTS, TOP AND BOTTOM OF LADDERS, AND AT SERVICE LOCATIONS AROUND ROOF TOP MECHANICAL UNITS.

ROOF TYPE LEGEND

- INDICATES TAPERED INSULATION ROOF SADDLE W/ MIN. SLOPE 1/2" PER FOOT SLOPE UNLESS NOTED OTHERWISE.
- INDICATES ROOF MEMBRANE OVER TEMPERED INSULATION W/ 1/4" PER FOOT SLOPE, UNLESS NOTED OTHERWISE.

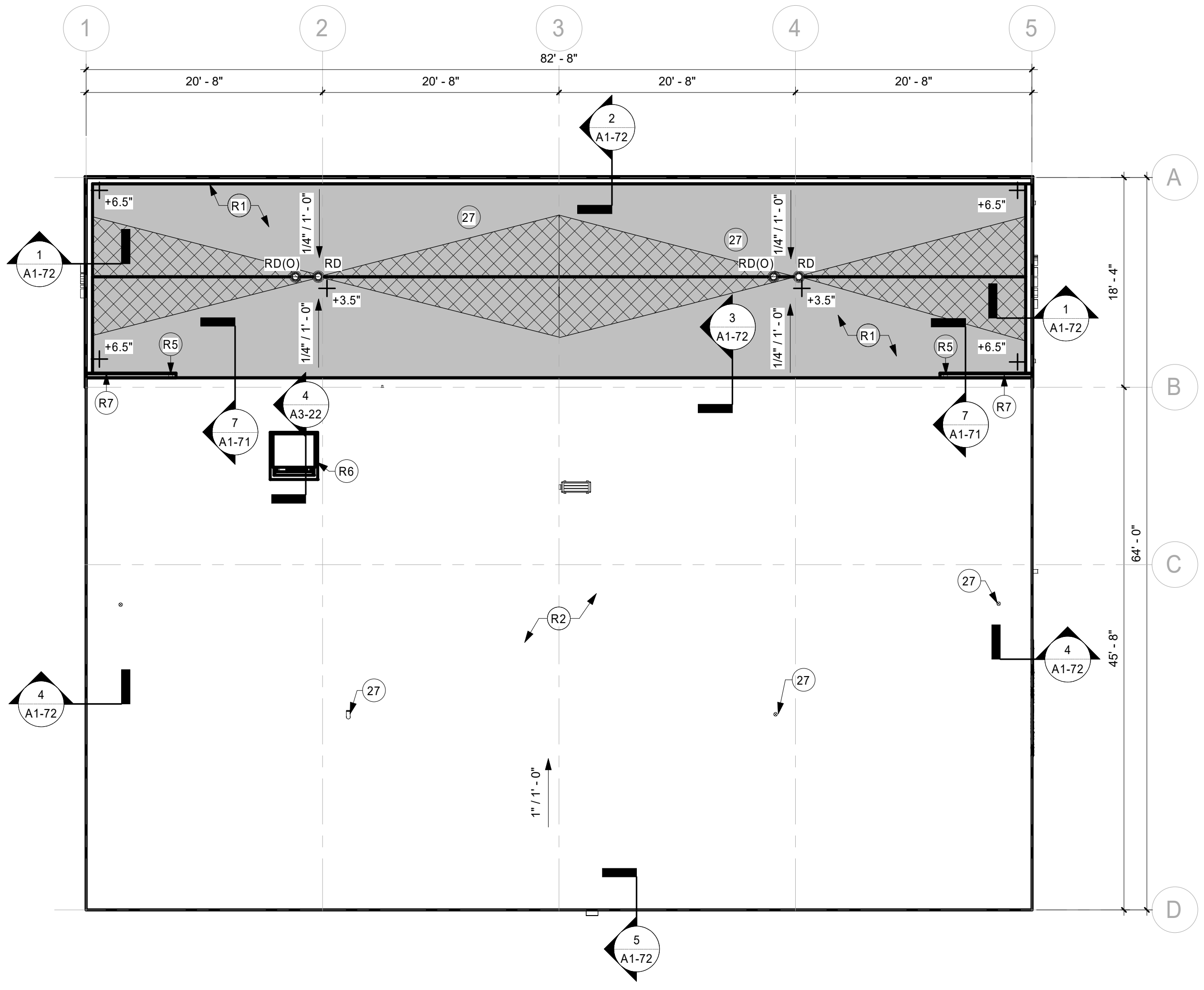
KEYNOTE LEGEND

- 27 VENT PIPE, REFER TO MECHANICAL DRAWINGS.
- R1 ROOF TYPE R1, FULLY ADHERED ROOFING MEMBRANE OVER TAPERED INSULATION, REFER TO SHEET A1-01 CONSTRUCTION ASSEMBLIES.
- R2 ROOF TYPE R2 - REFER TO SHEET A1-01 CONSTRUCTION ASSEMBLIES.
- R5 DOWNSPOUT, REFER TO DETAIL.
- R6 ROOF ACCESS HATCH, REFER TO ROOF ACCESS DETAIL.
- R7 GUTTER, REFER TO DETAIL.

5 ROOF SADDLE DETAIL
1 1/2" = 1'-0"

6 ROOF DRAIN AND OVERFLOW PLAN DETAIL
3/4" = 1'-0"

7 ROOF GUTTER DETAIL
1 1/2" = 1'-0"



1 ROOF PLAN
1/8" = 1'-0"

THIS DOCUMENT IS THE PROPERTY OF I & S GROUP, INC. AND MAY NOT BE USED, COPIED OR DUPLICATED WITHOUT PRIOR WRITTEN CONSENT.

LA CROSSE REGIONAL AIRPORT CAR WASH FACILITY

LA CROSSE WISCONSIN

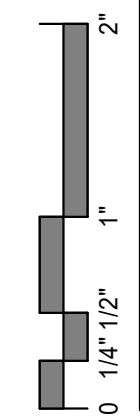
REVISION SCHEDULE		
DATE	DESCRIPTION	BY

PROJECT NO.	18-21496
FILE NAME	21496 Arch R18.rvt
DRAWN BY	SJR
DESIGNED BY	KMB
REVIEWED BY	KMB
ORIGINAL ISSUE DATE	01/14/2019
CLIENT PROJECT NO.	

ROOF PLAN AND DETAILS

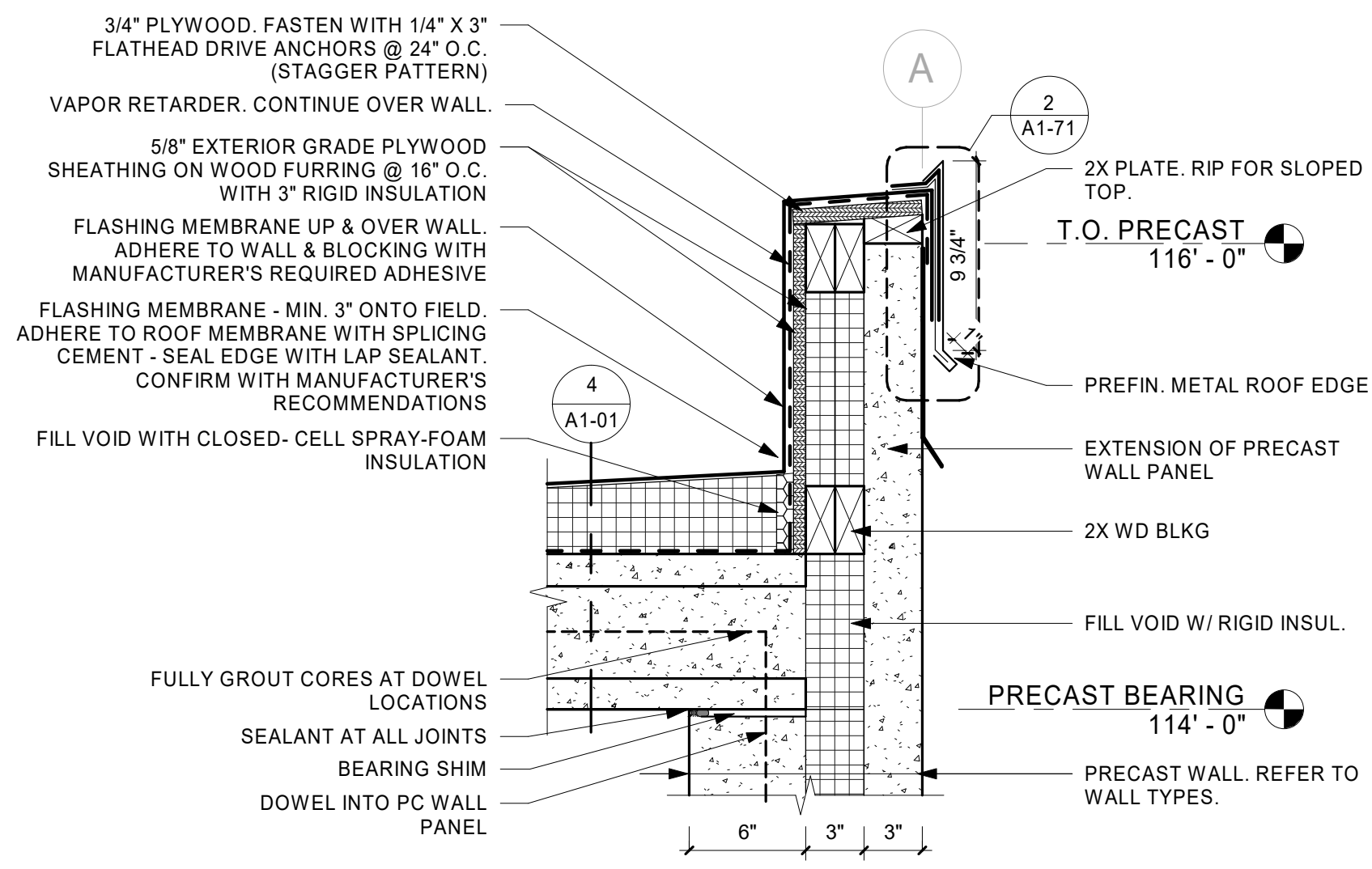
SHEET
A1-71

PRELIMINARY NOT FOR CONSTRUCTION

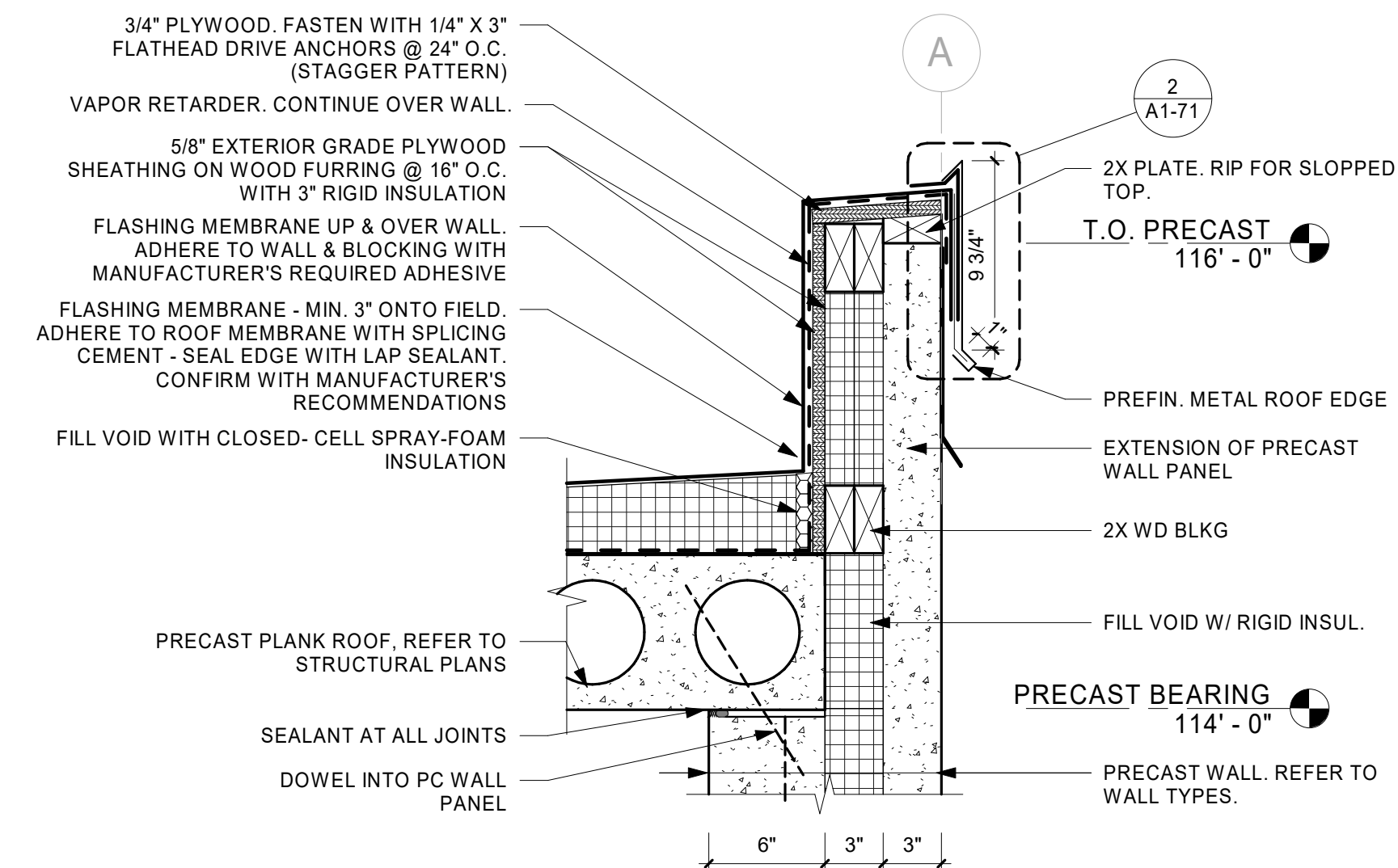




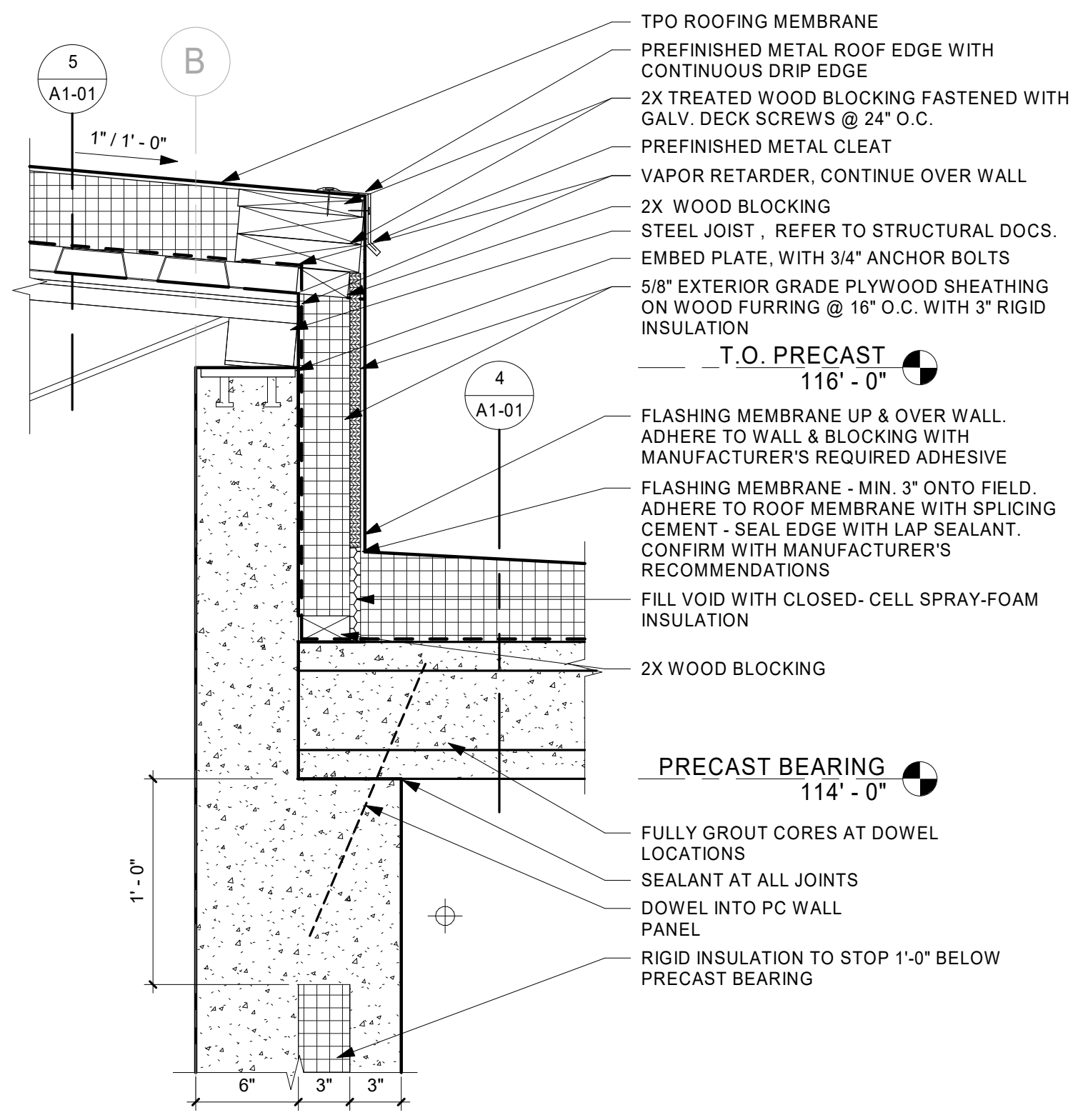
PRELIMINARY NOT FOR CONSTRUCTION



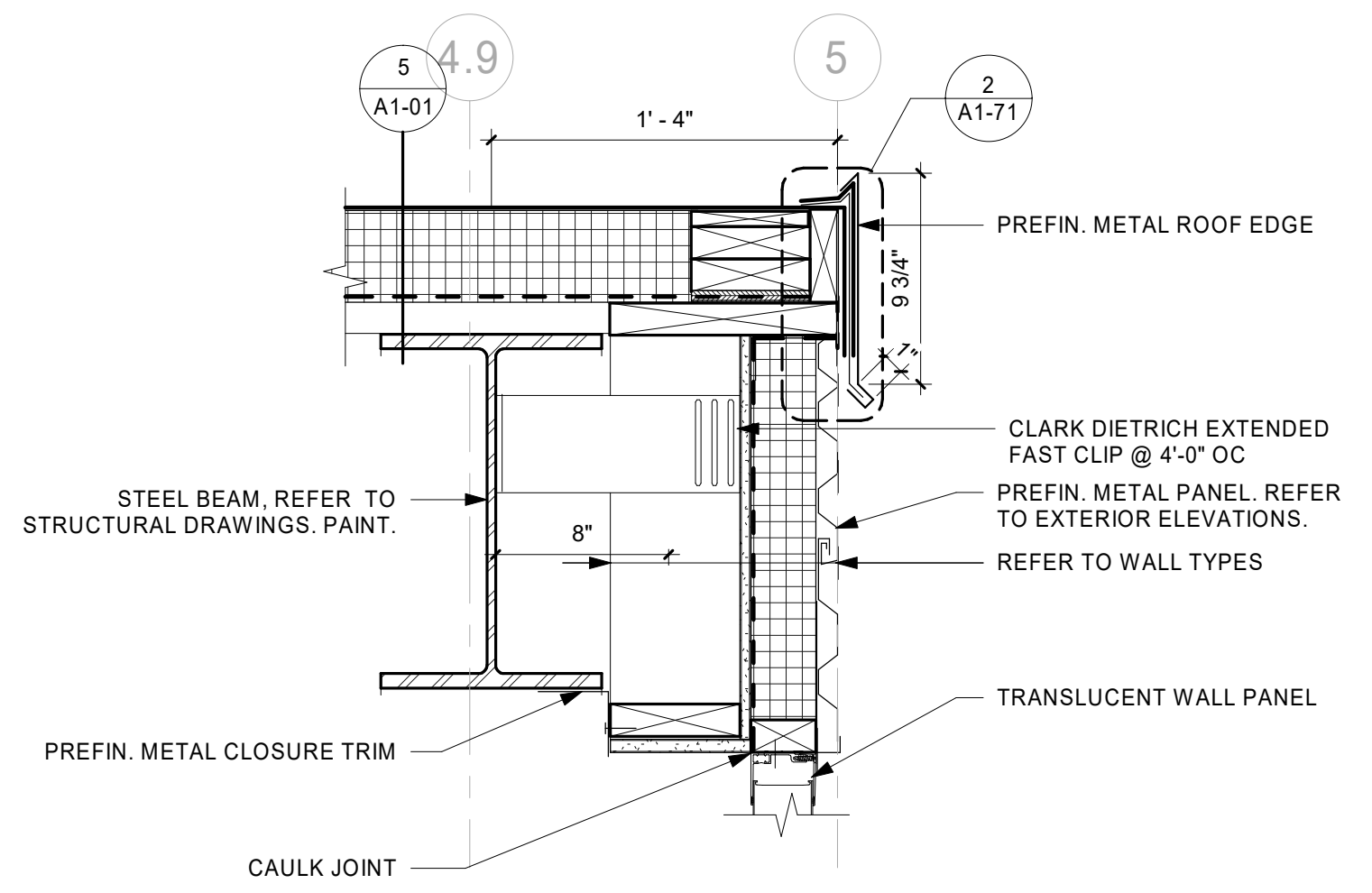
1 PRECAST ROOF AT NON-BEARING DETAIL
1 1/2" = 1'-0"



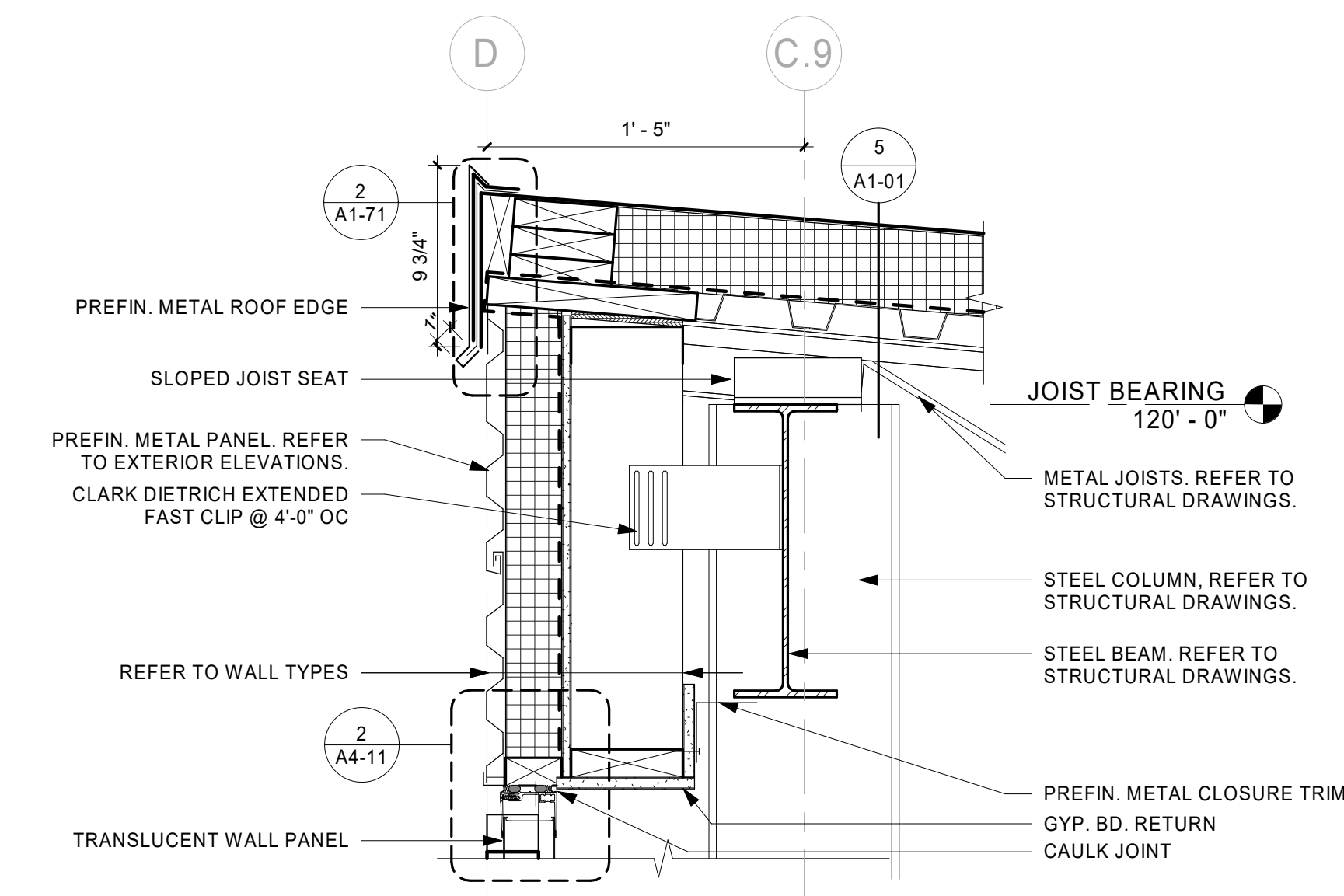
2 PRECAST ROOF AT BEARING DETAIL
1 1/2" = 1'-0"



3 ROOF EDGE WITH JOIST SEAT - PRECAST
1 1/2" = 1'-0"



4 ROOF EDGE DETAIL - EAST/WEST WALL
1 1/2" = 1'-0"



5 ROOF EDGE DETAIL - SOUTH WALL
1 1/2" = 1'-0"

THIS DOCUMENT IS THE PROPERTY OF I & S GROUP, INC. AND MAY NOT BE USED, COPIED OR DUPLICATED WITHOUT PRIOR WRITTEN CONSENT.

PROJECT
LA CROSSE REGIONAL AIRPORT CAR WASH FACILITY

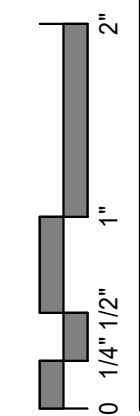
LA CROSSE WISCONSIN

REVISION SCHEDULE		
DATE	DESCRIPTION	BY

PROJECT NO. 18-21496
FILE NAME 21496 Arch R18.rvt
DRAWN BY SJR
DESIGNED BY KMB
REVIEWED BY KMB
ORIGINAL ISSUE DATE 01/14/2019
CLIENT PROJECT NO.

TITLE
ROOF DETAILS

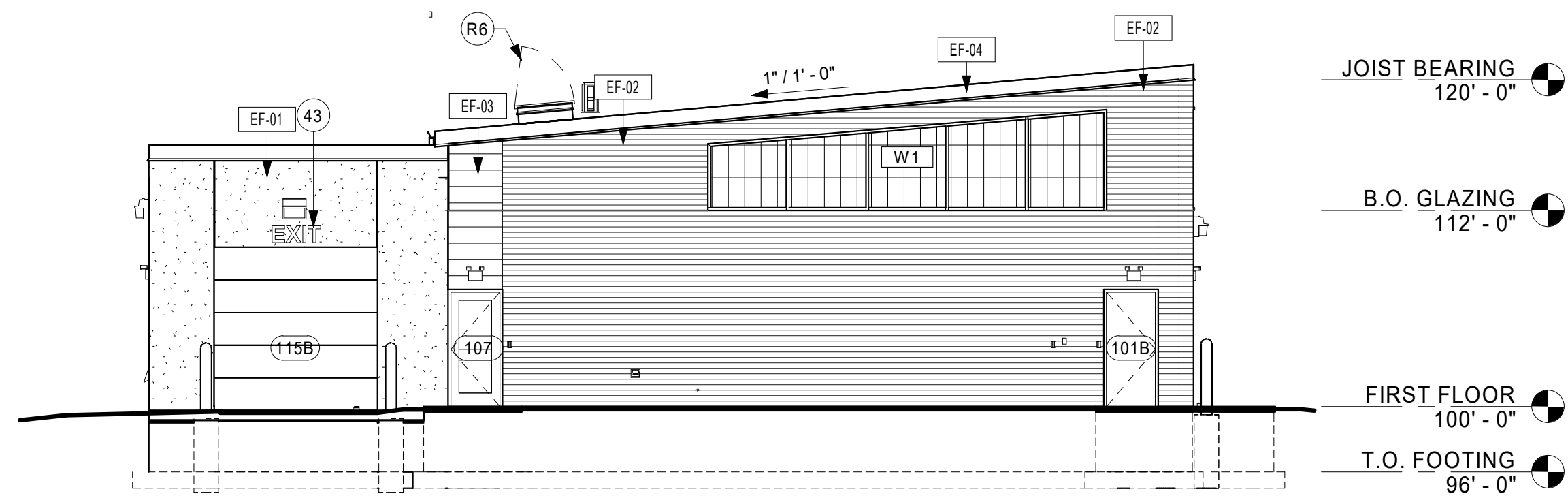
SHEET
A1-72



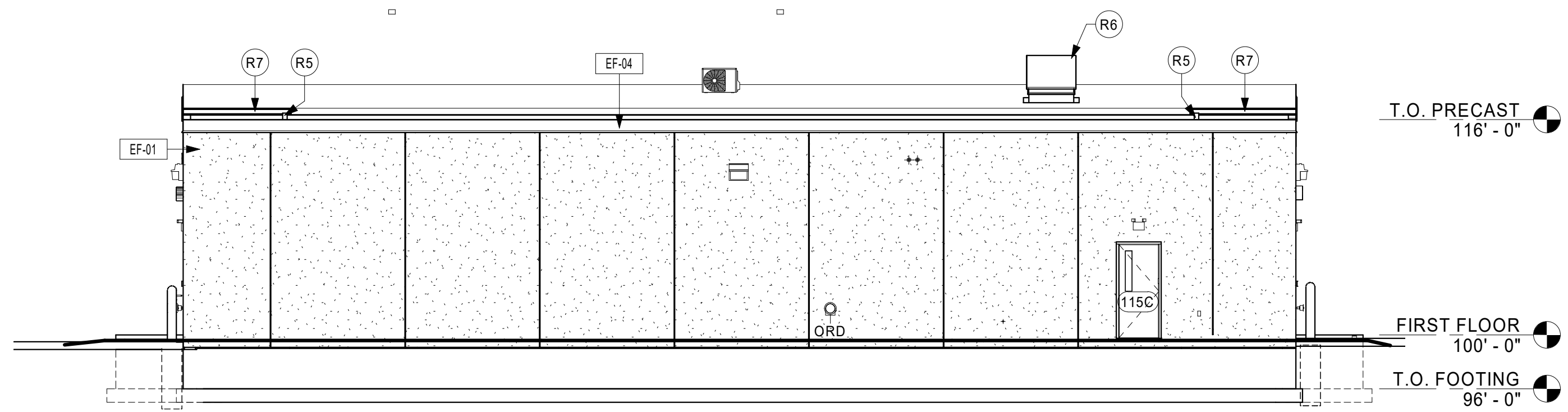
EXTERIOR FINISH SCHEDULE						
MARK	MATERIAL TYPE	MANUFACTURER	SERIES	SIZE	COLOR	COMMENTS
EF-01	PRECAST CONCRETE	TBD			LIGHT GRAY	ACID ETCH FINISH
EF-02	METAL PANEL	FIRESTONE	OMEGA VR CLASSIC	4"	CITYSCAPE	HORIZONTAL
EF-03	METAL PANEL	FIRESTONE	UC-500	12"	CHARCOAL GRAY	HORIZONTAL
EF-04	METAL FLASHING	FIRESTONE	METAL TRIM		CHARCOAL GRAY	

- SHEET NOTES**
- THROUGH-WALL FLASHING TO BE LOCATED ABOVE GRADE.
 - PAINT ALL EXPOSED STEEL LINTELS TO MATCH ADJACENT FACADE MATERIAL COLOR.
 - SEALANT COLORS TO MATCH ADJACENT FINISHED SURFACES.

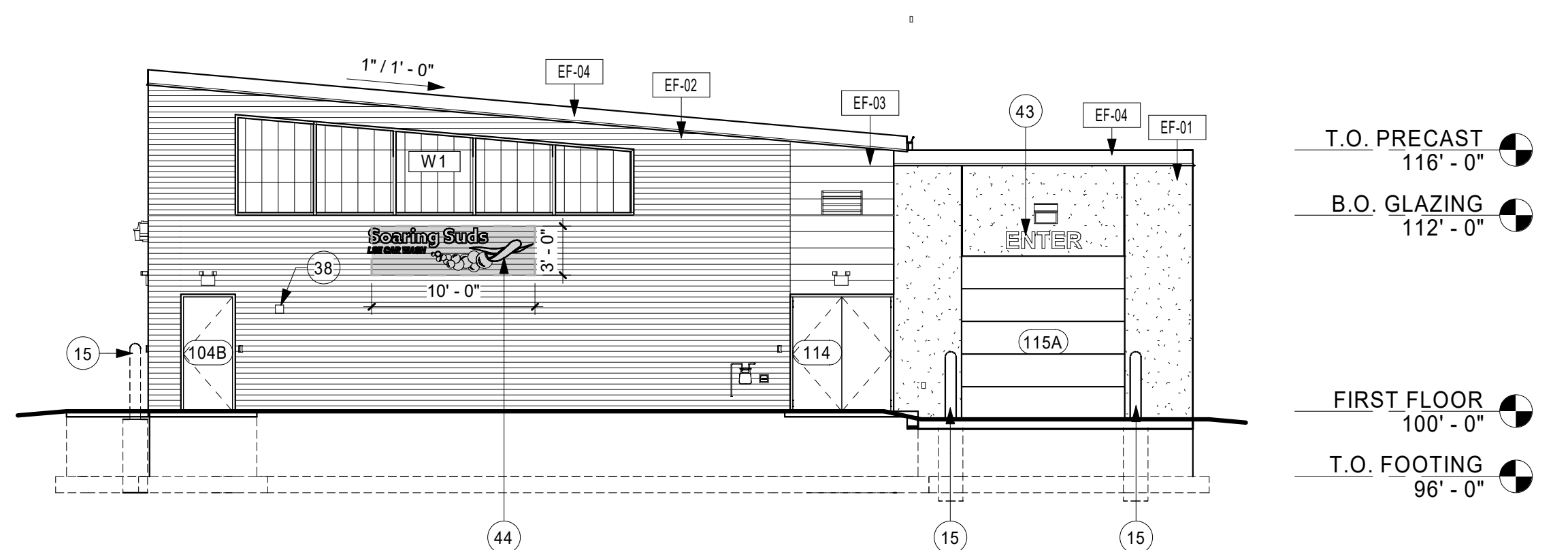
- KEYNOTE LEGEND**
- 15 BOLLARD, REFER TO STRUCTURAL DRAWINGS.
 - 38 KNOX BOX, VERIFY LOCATION WITH LOCAL FIRE DEPARTMENT.
 - 43 12" H. EXTERIOR SIGNAGE, REFER TO SPEC.
 - 44 EXTERIOR SIGN, REFER TO SPEC.
 - R5 DOWNSPOUT, REFER TO DETAIL.
 - R6 ROOF ACCESS HATCH, REFER TO ROOF ACCESS DETAIL.
 - R7 GUTTER, REFER TO DETAIL.



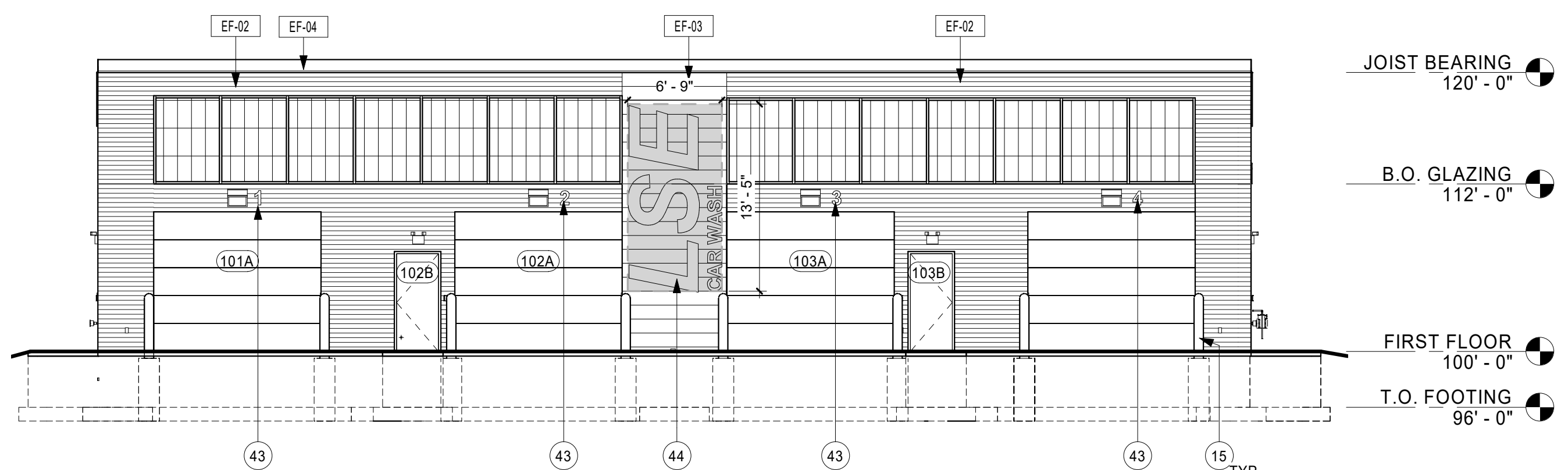
1 WEST ELEVATION
1/8" = 1'-0"



2 NORTH ELEVATION
1/8" = 1'-0"



3 EAST ELEVATION
1/8" = 1'-0"



4 SOUTH ELEVATION
1/8" = 1'-0"

THIS DOCUMENT IS THE PROPERTY OF I & S GROUP, INC. AND MAY NOT BE USED, COPIED OR DUPLICATED WITHOUT PRIOR WRITTEN CONSENT.

PROJECT
LA CROSSE REGIONAL AIRPORT CAR WASH FACILITY

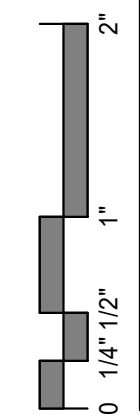
LA CROSSE WISCONSIN

REVISION SCHEDULE		
DATE	DESCRIPTION	BY

PROJECT NO.	18-21496
FILE NAME	21496 Arch R-18.rvt
DRAWN BY	SJR
DESIGNED BY	KMB
REVIEWED BY	KMB
ORIGINAL ISSUE DATE	01/14/2019
CLIENT PROJECT NO.	

TITLE
EXTERIOR ELEVATIONS

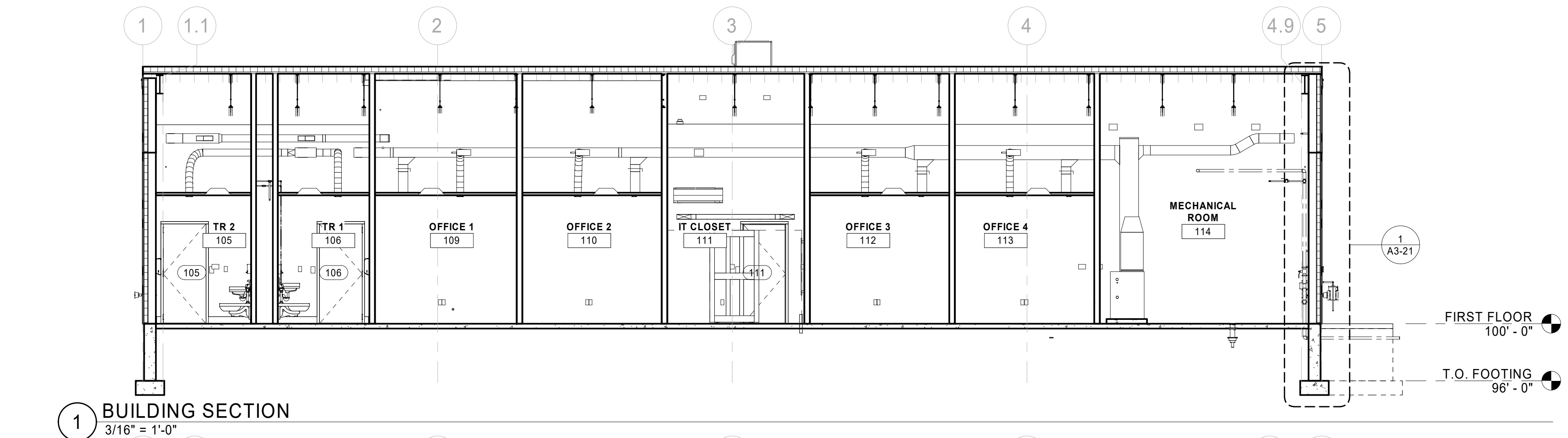
SHEET
A2-11



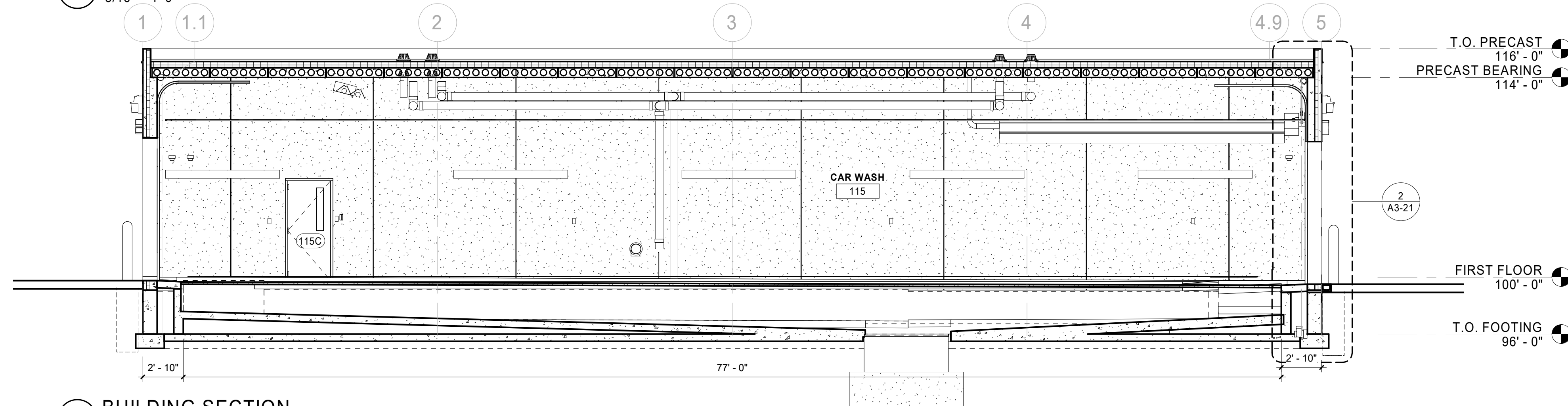
PRELIMINARY NOT FOR CONSTRUCTION



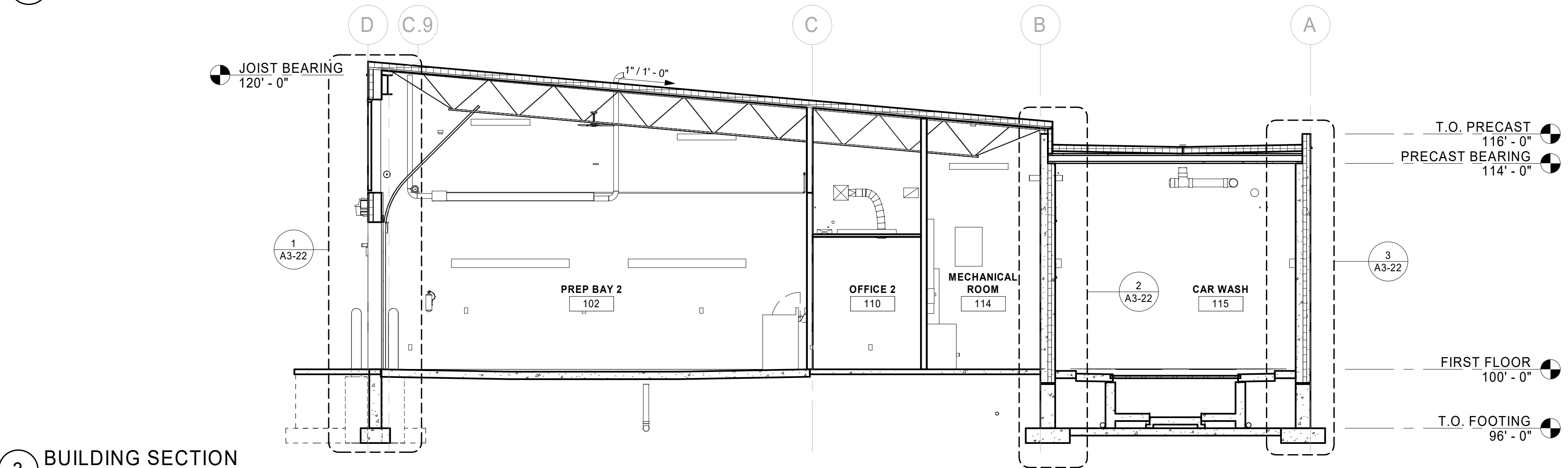
KEYNOTE LEGEND
 5 PRESTRESSED CONCRETE TO HAVE ACID ETCH FINISH THIS SIDE.



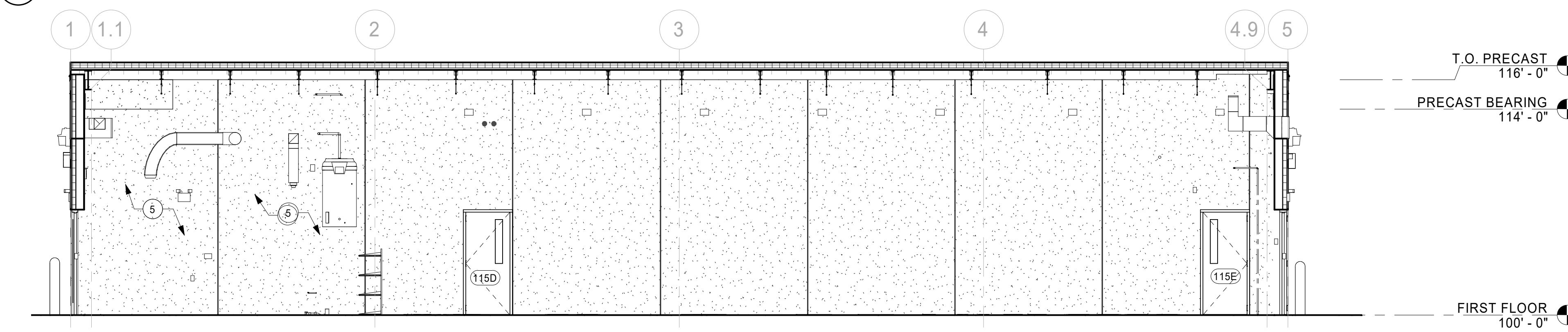
1 BUILDING SECTION
 3/16" = 1'-0"



2 BUILDING SECTION
 3/16" = 1'-0"



3 BUILDING SECTION
 3/16" = 1'-0"



4 INTERIOR ELEVATION
 3/16" = 1'-0"

THIS DOCUMENT IS THE PROPERTY OF I & S GROUP, INC. AND MAY NOT BE USED, COPIED OR DUPLICATED WITHOUT PRIOR WRITTEN CONSENT.

PROJECT
LA CROSSE REGIONAL AIRPORT CAR WASH FACILITY

LA CROSSE WISCONSIN

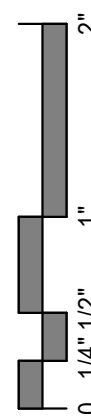
REVISION SCHEDULE		
DATE	DESCRIPTION	BY

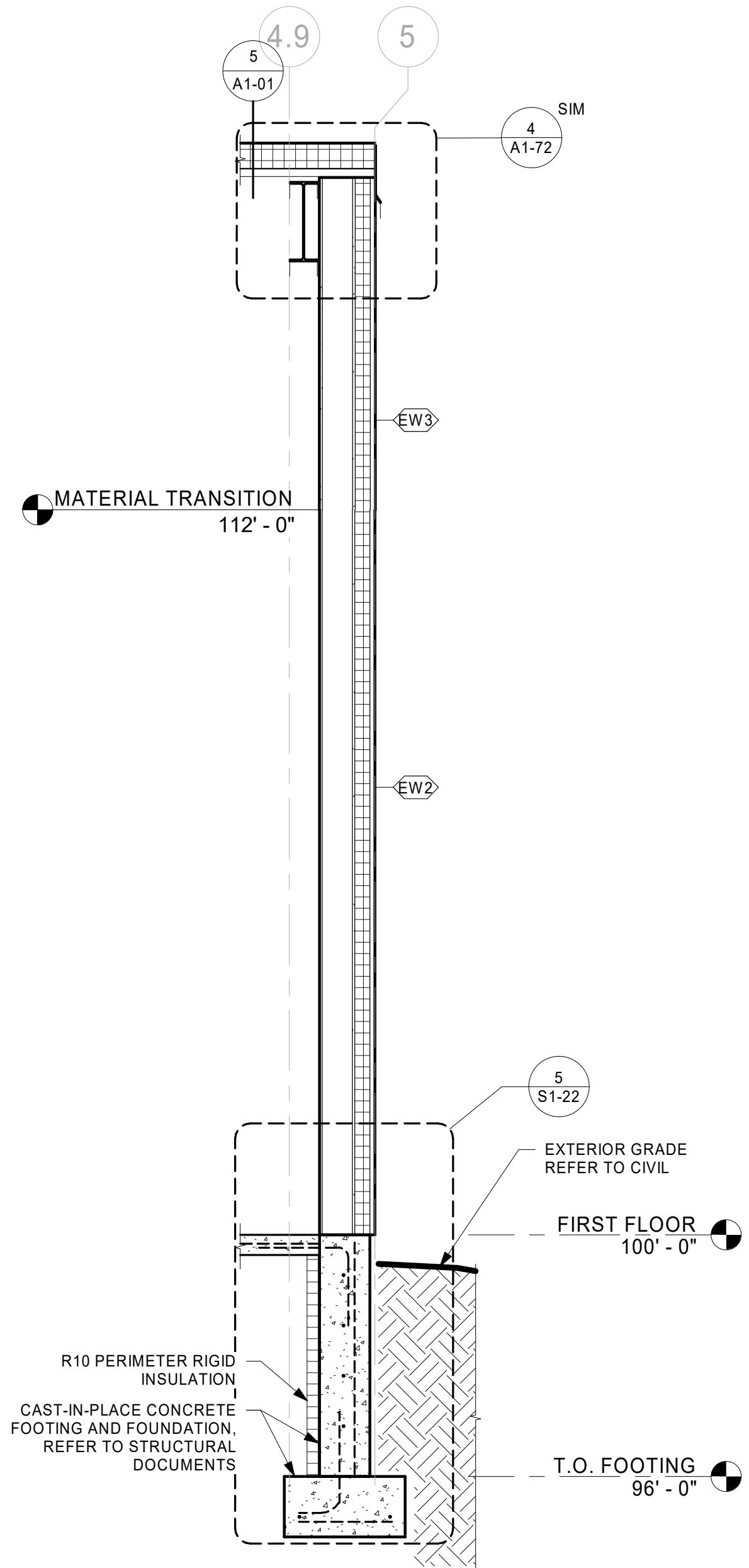
PROJECT NO. 18-21496
 FILE NAME 21496 Arch R18.rvt
 DRAWN BY SJR
 DESIGNED BY KMB
 REVIEWED BY KMB
 ORIGINAL ISSUE DATE 01/14/2019
 CLIENT PROJECT NO.

TITLE
BUILDING SECTIONS AND INTERIOR ELEVATIONS

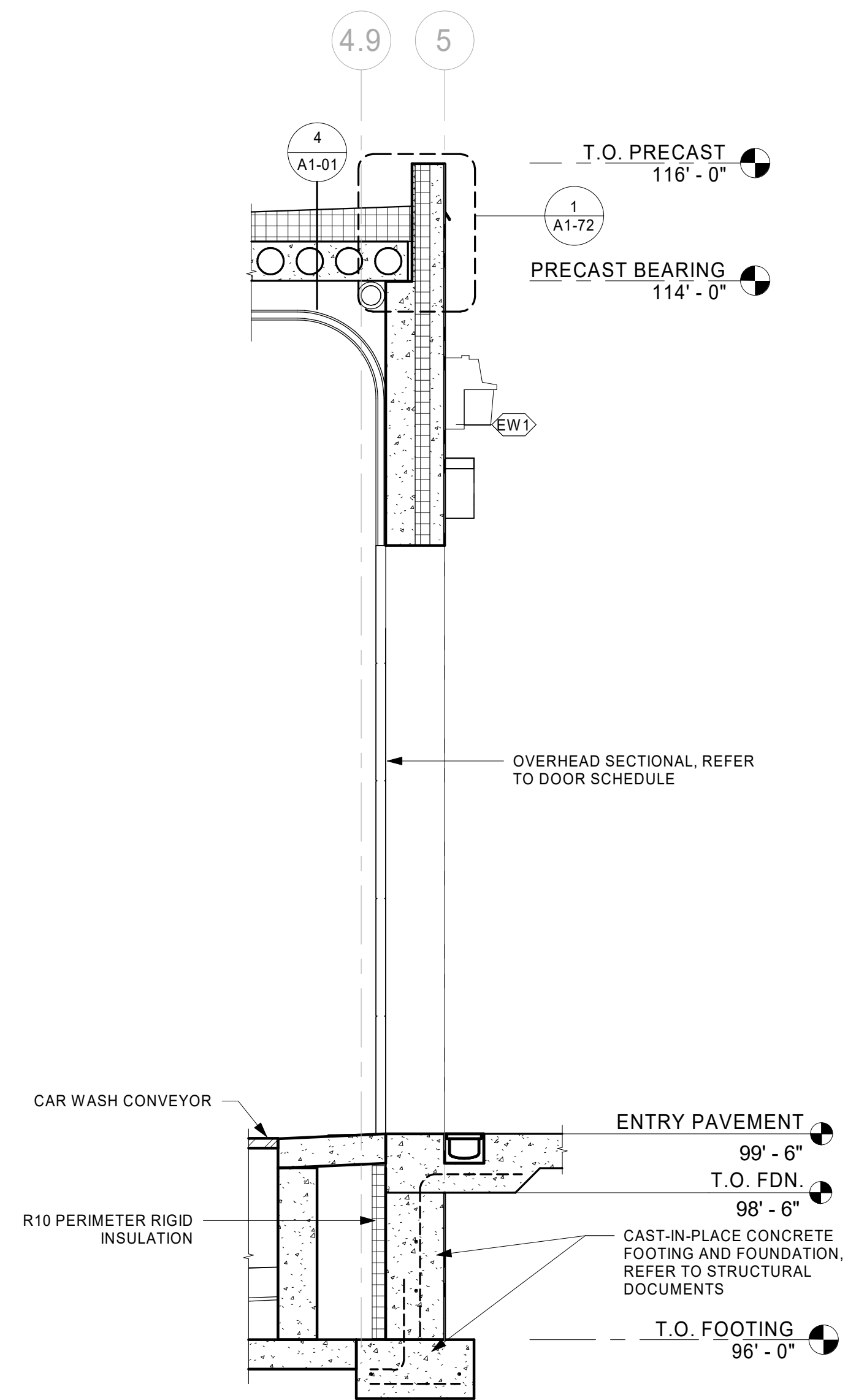
SHEET
A3-11

PRELIMINARY NOT FOR CONSTRUCTION

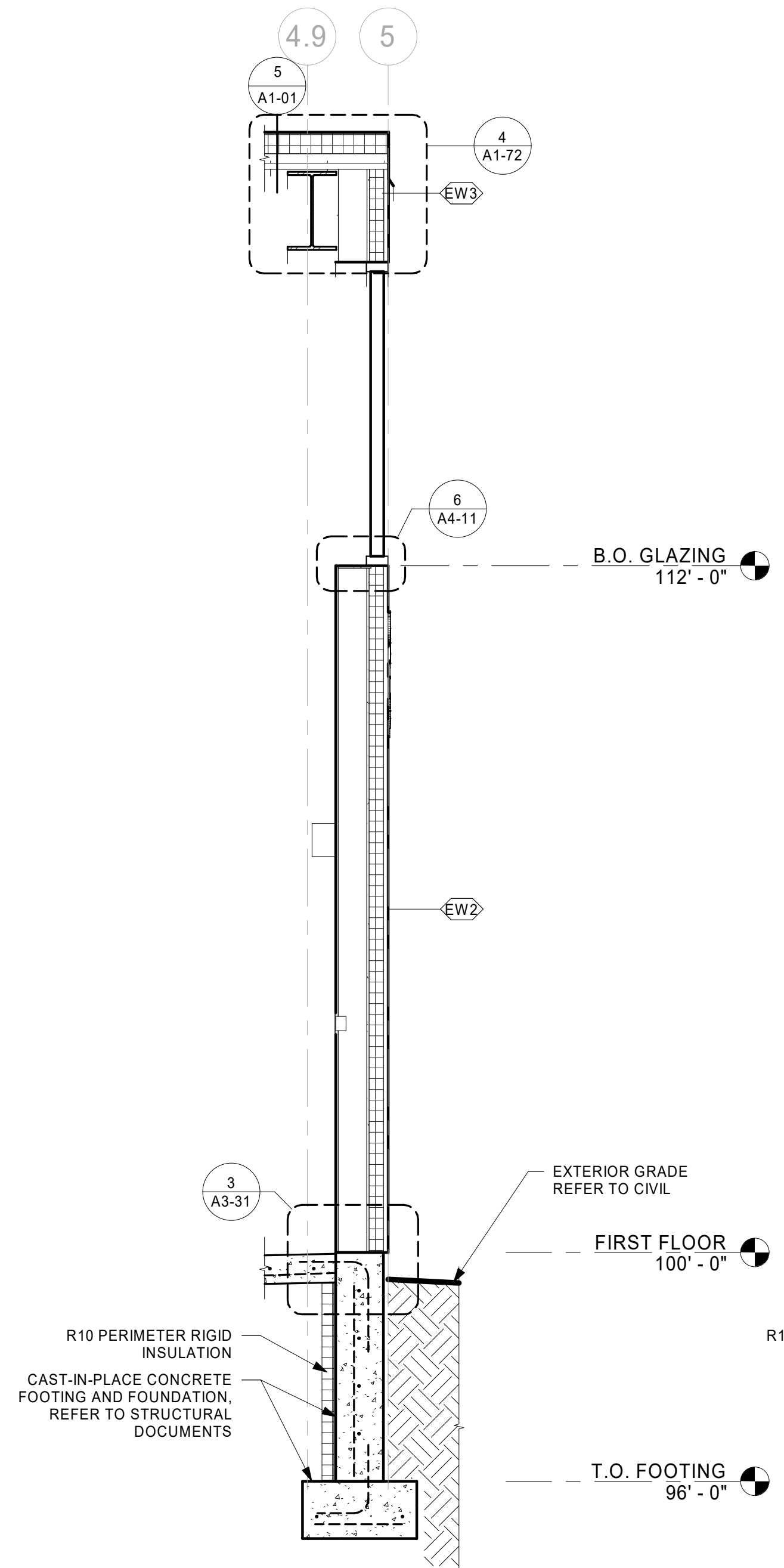




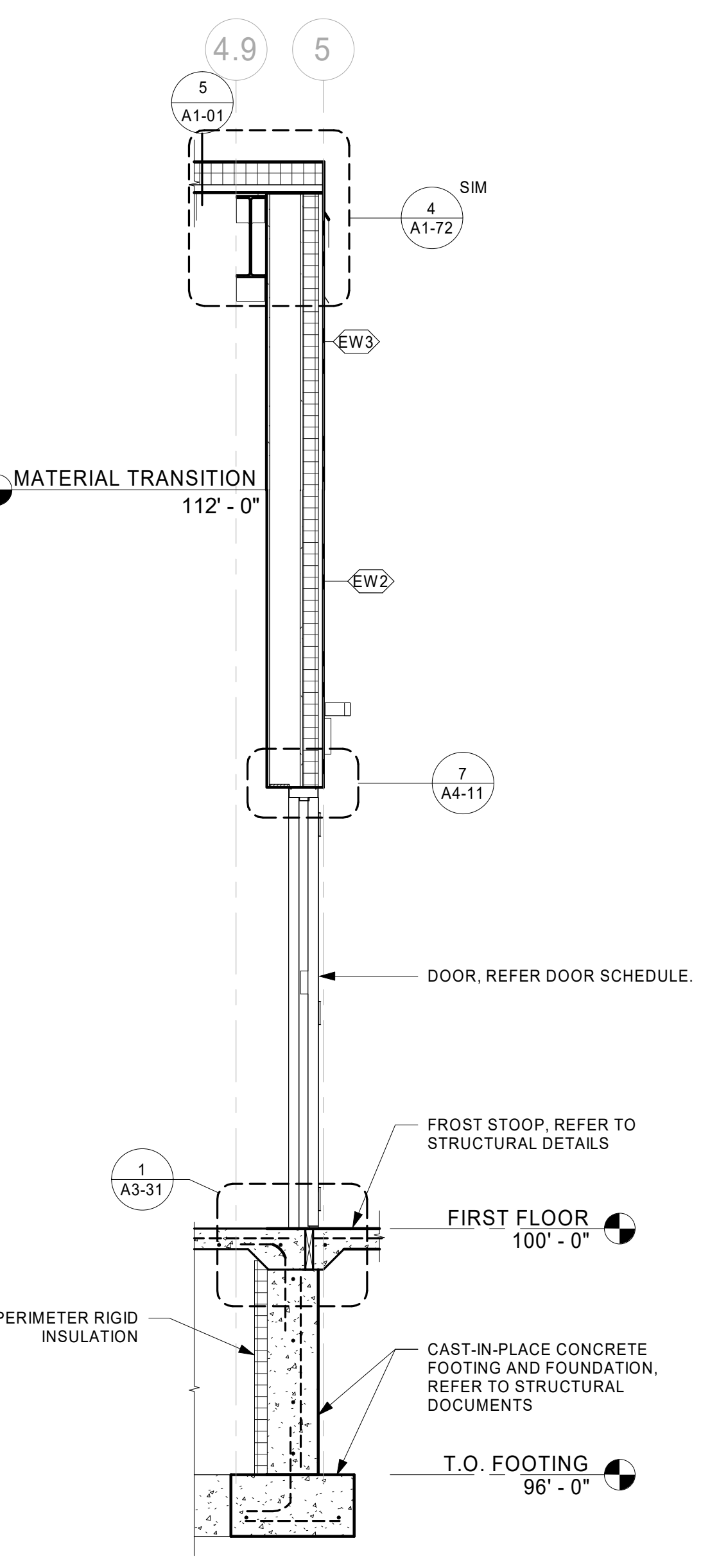
1 WALL SECTION
1/2" = 1'-0"



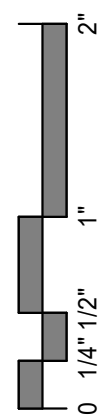
2 WALL SECTION - CAR WASH ENTRY
1/2" = 1'-0"



3 WALL SECTION
1/2" = 1'-0"



4 WALL SECTION AT DOOR
1/2" = 1'-0"



THIS DOCUMENT IS THE PROPERTY OF I & S GROUP, INC. AND MAY NOT BE USED, COPIED OR DUPLICATED WITHOUT PRIOR WRITTEN CONSENT.

PROJECT
LA CROSSE REGIONAL AIRPORT CAR WASH FACILITY

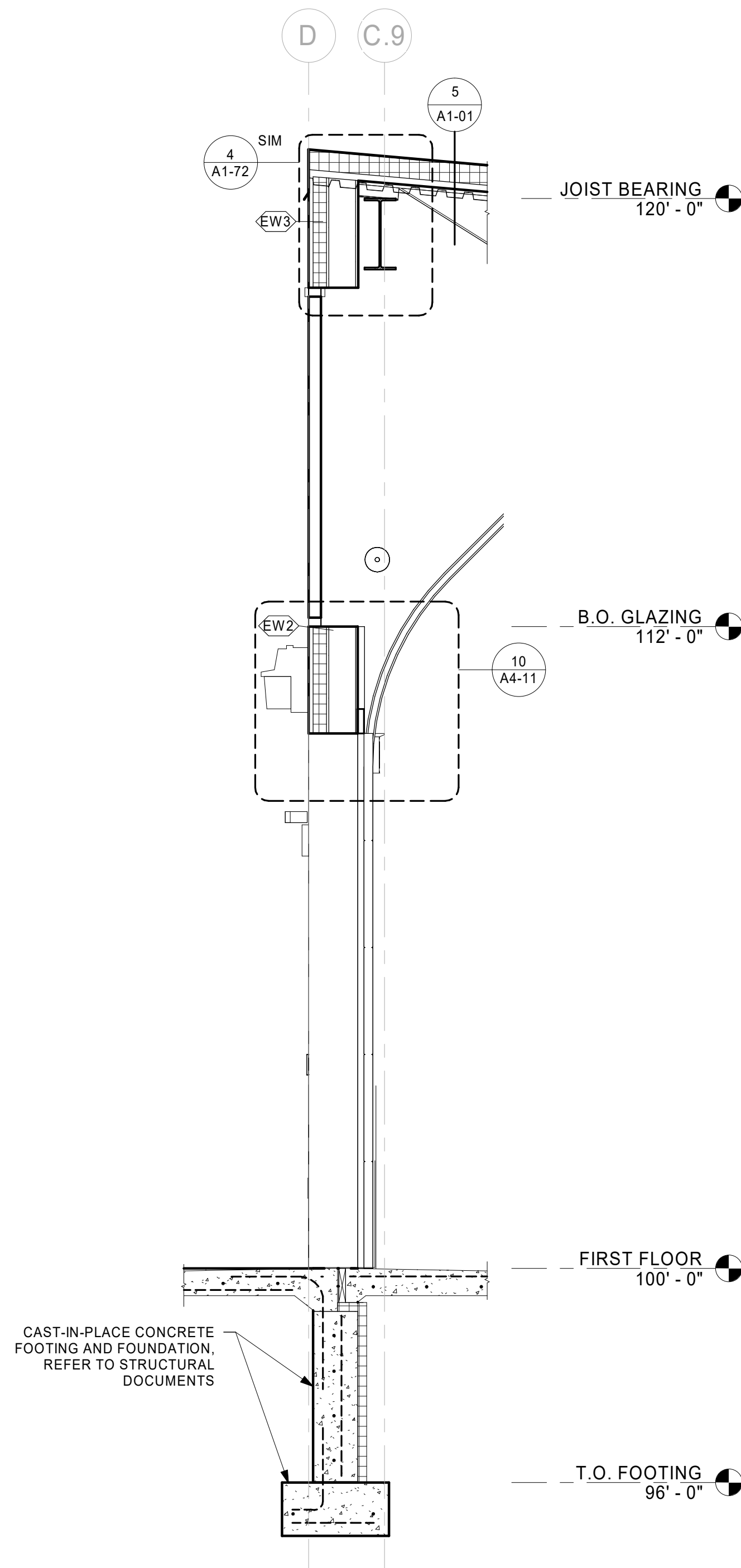
LA CROSSE WISCONSIN

REVISION SCHEDULE		
DATE	DESCRIPTION	BY

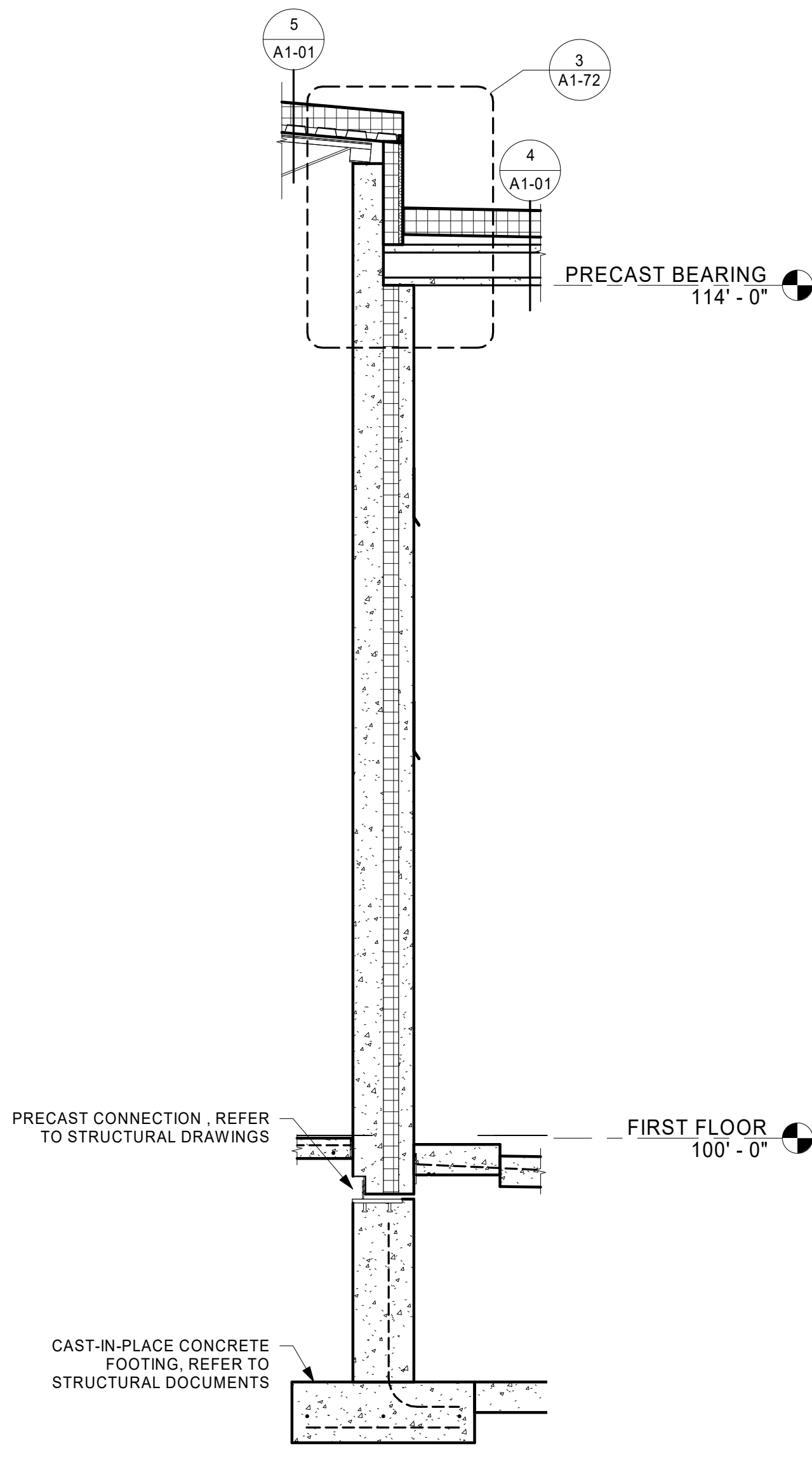
PROJECT NO.	18-21496
FILE NAME	21496 Arch R18.rvt
DRAWN BY	SJR
DESIGNED BY	KMB
REVIEWED BY	KMB
ORIGINAL ISSUE DATE	01/14/2019
CLIENT PROJECT NO.	

TITLE
WALL SECTIONS

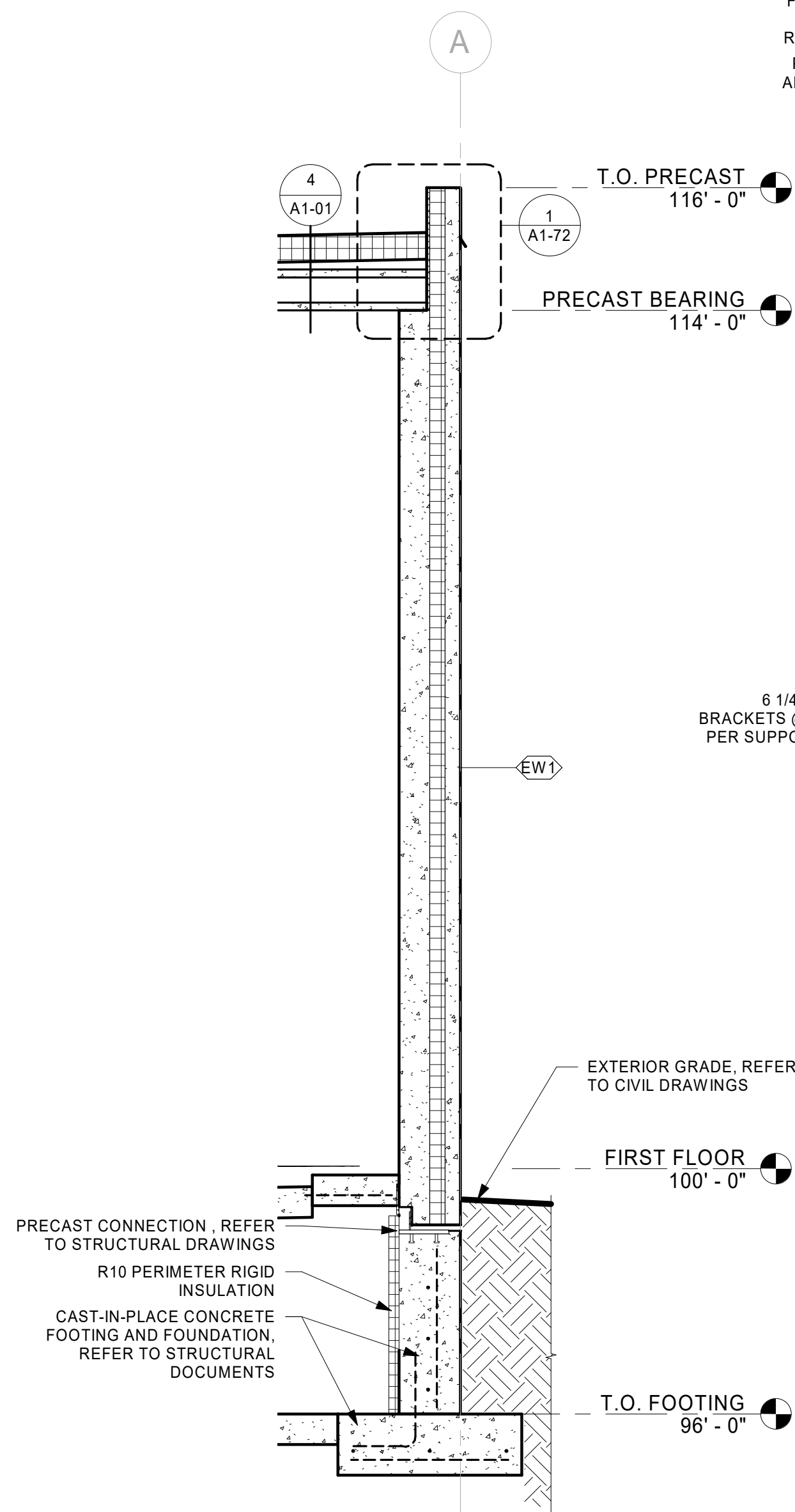
SHEET
A3-21



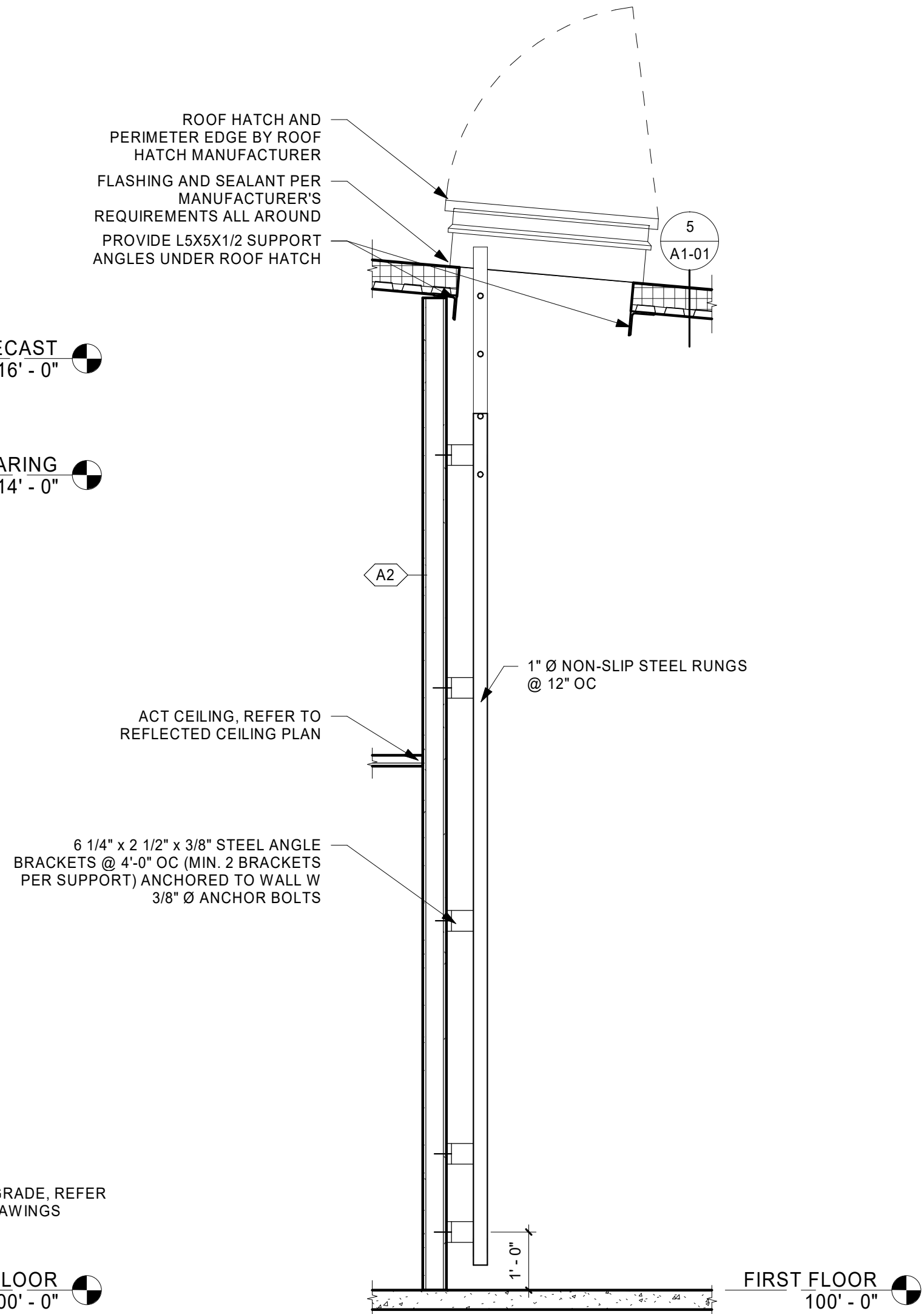
1 WALL SECTION
1/2" = 1'-0"



2 PRECAST WALL SECTION
1/2" = 1'-0"



3 WALL SECTION
1/2" = 1'-0"



4 ROOF ACCESS DETAIL
1/2" = 1'-0"

THIS DOCUMENT IS THE PROPERTY OF I & S GROUP, INC. AND MAY NOT BE USED, COPIED OR DUPLICATED WITHOUT PRIOR WRITTEN CONSENT.

PROJECT
LA CROSSE REGIONAL AIRPORT CAR WASH FACILITY

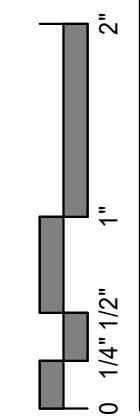
LA CROSSE WISCONSIN

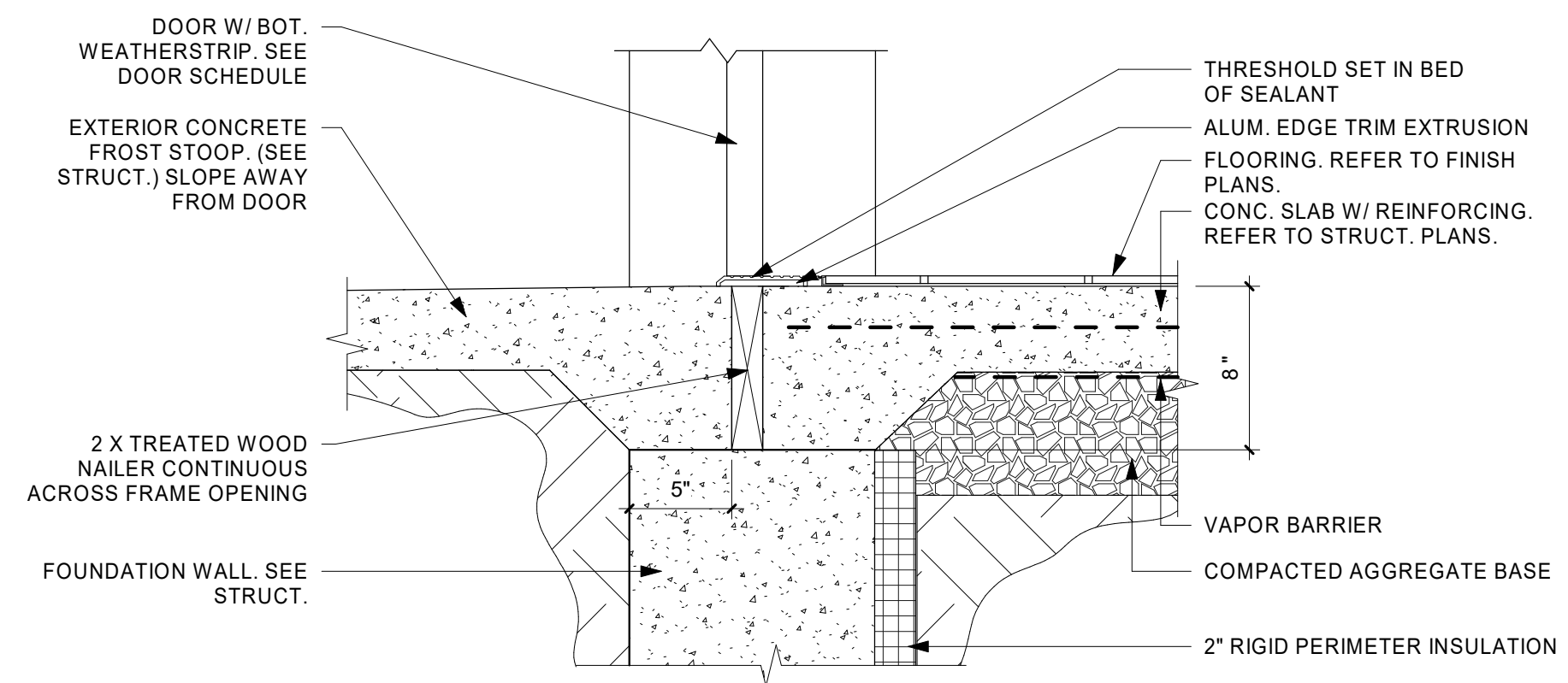
REVISION SCHEDULE		
DATE	DESCRIPTION	BY

PROJECT NO. 18-21496
 FILE NAME 21496 Arch R18.rvt
 DRAWN BY SJR
 DESIGNED BY KMB
 REVIEWED BY KMB
 ORIGINAL ISSUE DATE 01/14/2019
 CLIENT PROJECT NO.

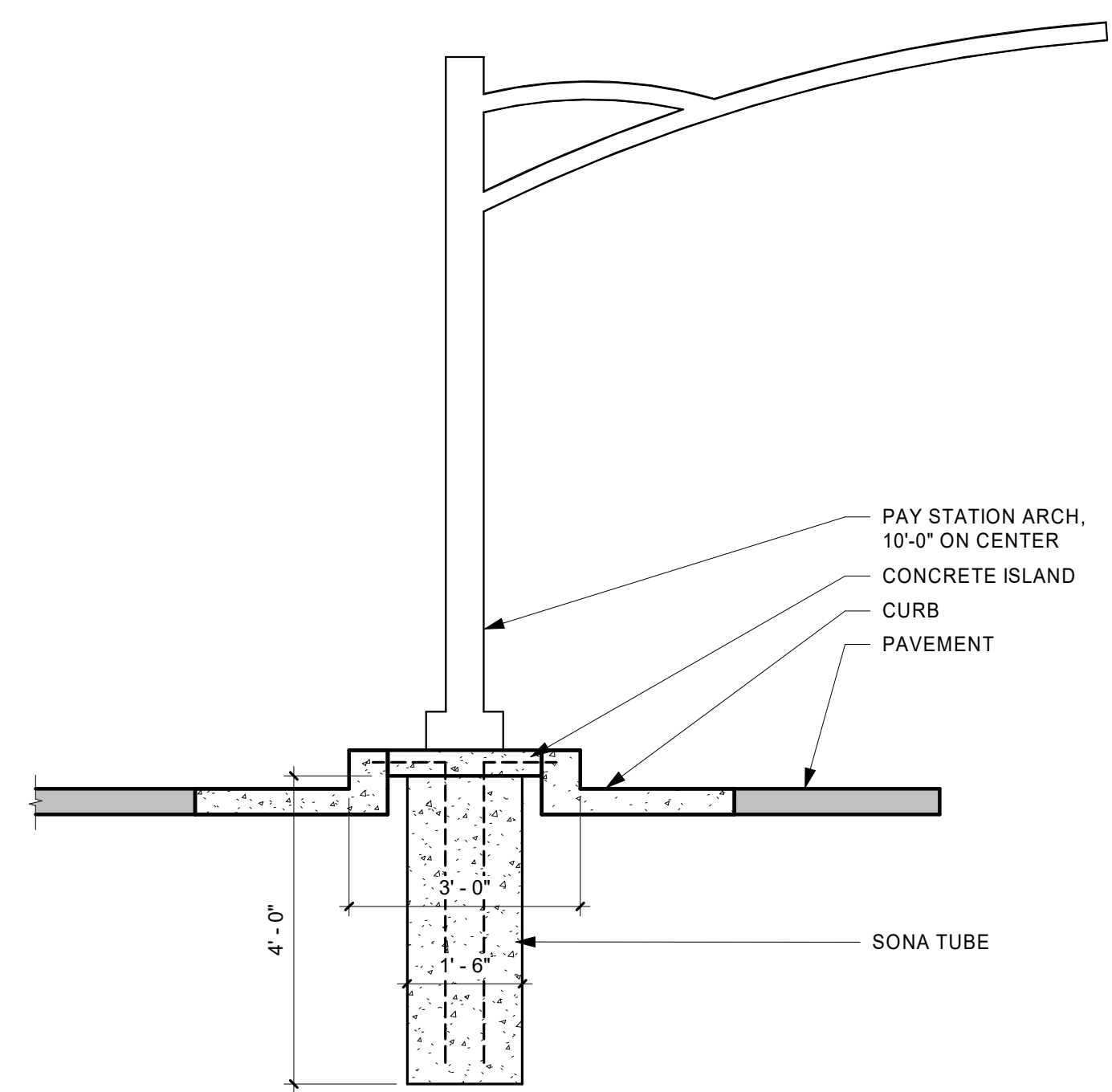
TITLE
WALL SECTIONS

SHEET
A3-22

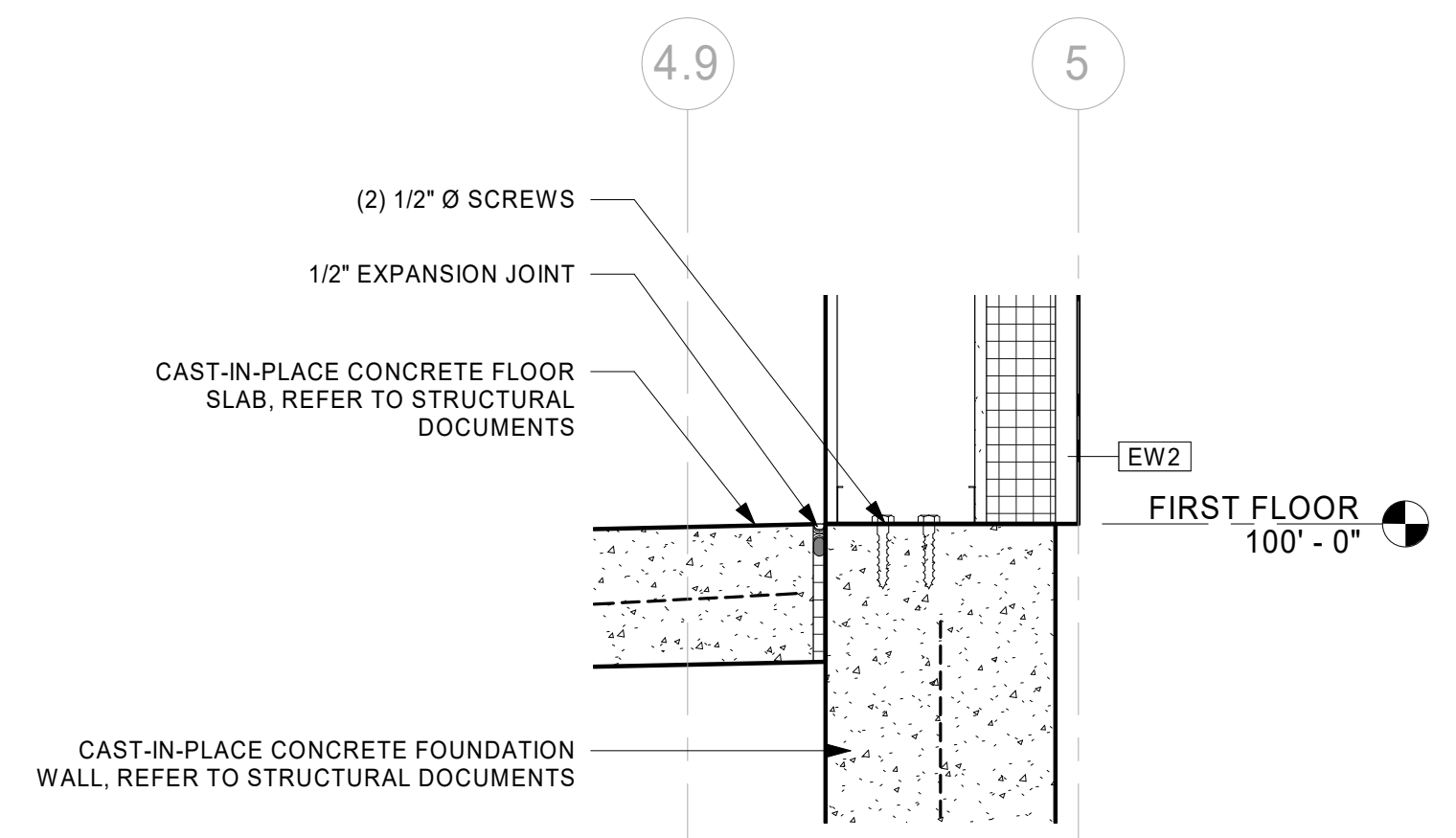




1 DOOR THRESHOLD
1 1/2" = 1'-0"



2 PAY STATION
1/2" = 1'-0"



3 EXTERIOR WALL TO FOUNDATION
1 1/2" = 1'-0"

THIS DOCUMENT IS THE PROPERTY OF I & S GROUP, INC. AND MAY NOT BE USED, COPIED OR DUPLICATED WITHOUT PRIOR WRITTEN CONSENT.

PROJECT
LA CROSSE REGIONAL AIRPORT CAR WASH FACILITY

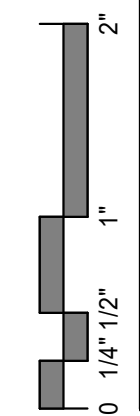
LA CROSSE WISCONSIN

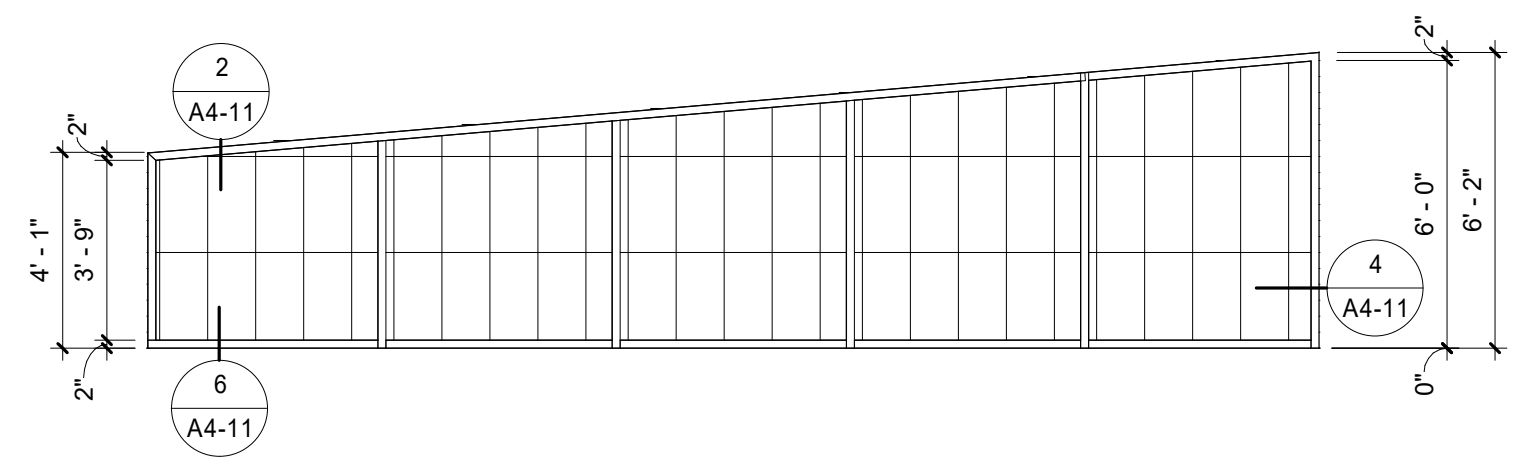
REVISION SCHEDULE		
DATE	DESCRIPTION	BY

PROJECT NO. 18-21496
 FILE NAME 21496 Arch R18.rvt
 DRAWN BY SJR
 DESIGNED BY KMB
 REVIEWED BY KMB
 ORIGINAL ISSUE DATE
 CLIENT PROJECT NO.

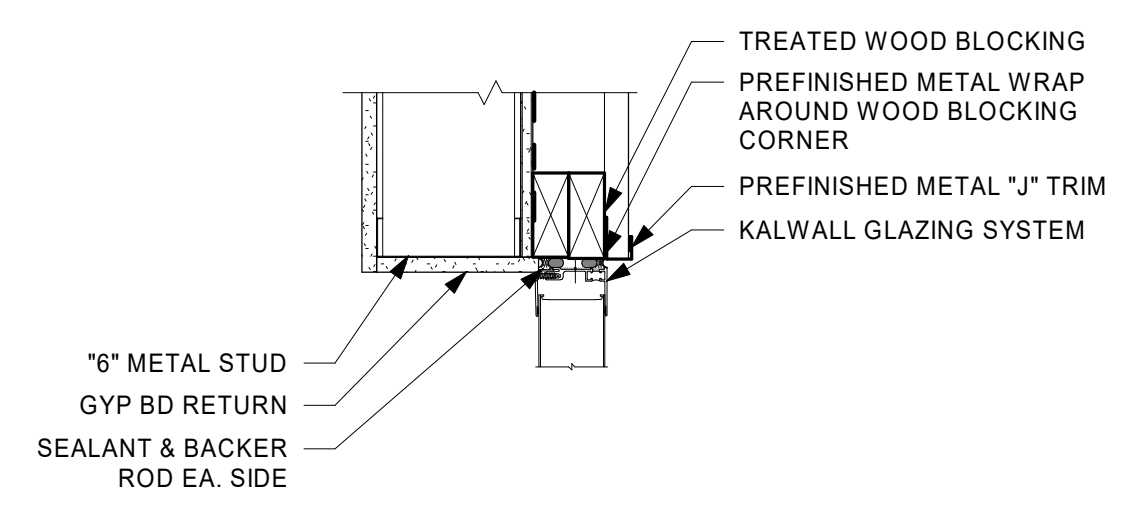
TITLE
DETAILS

SHEET
A3-31

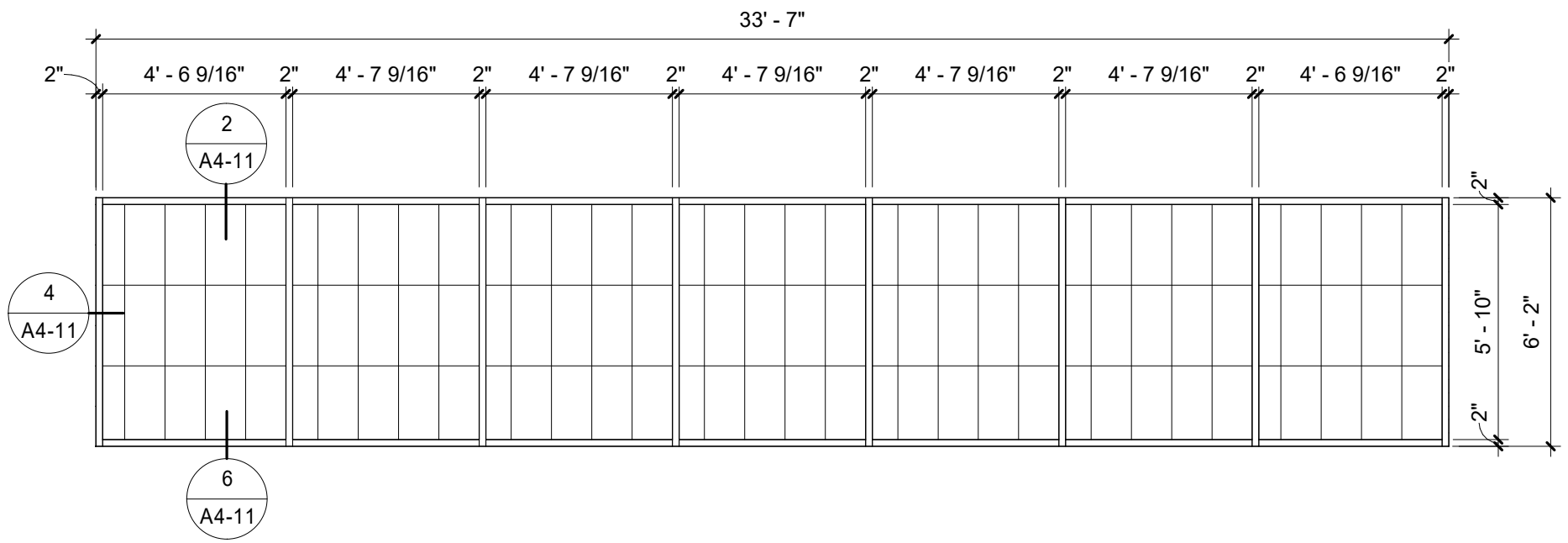




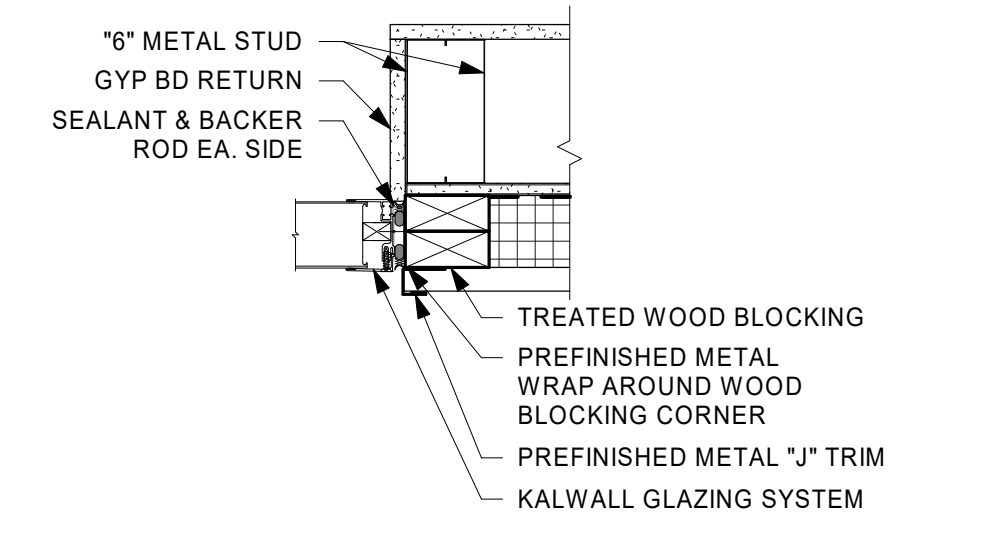
1 W1 (TRANSLUCENT WALL PANEL)
1/4" = 1'-0"



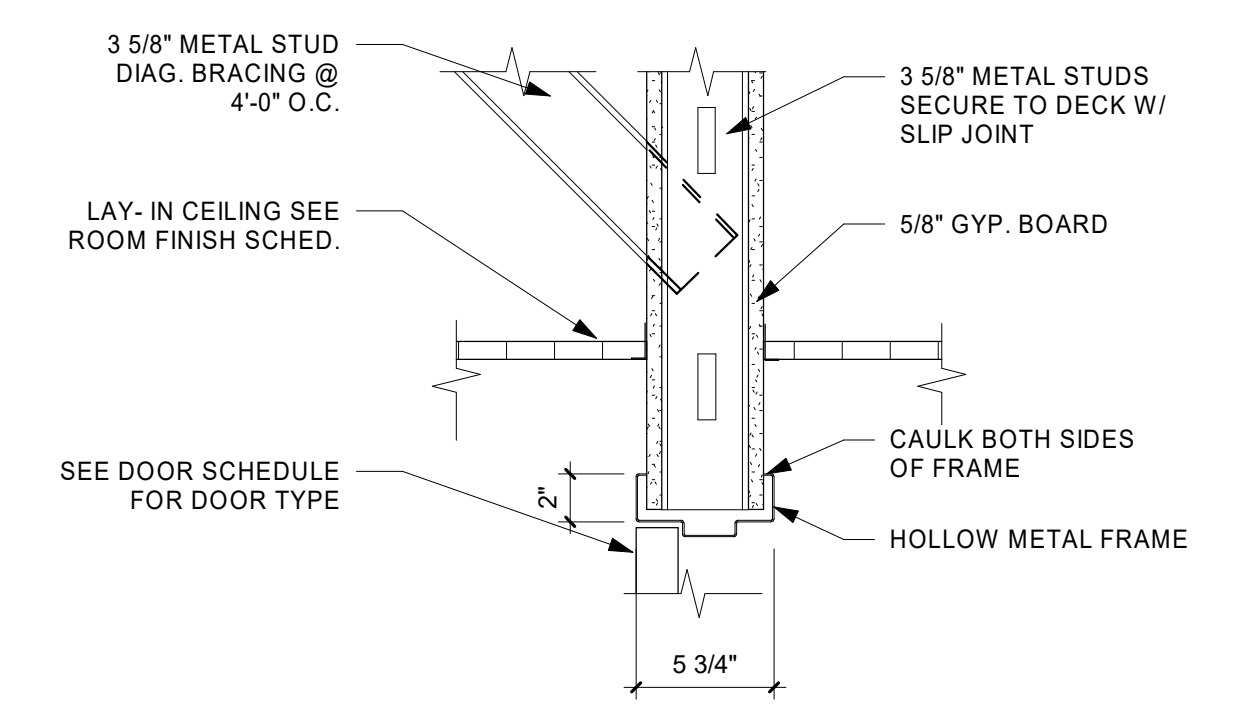
2 WINDOW HEAD DETAIL
1 1/2" = 1'-0"



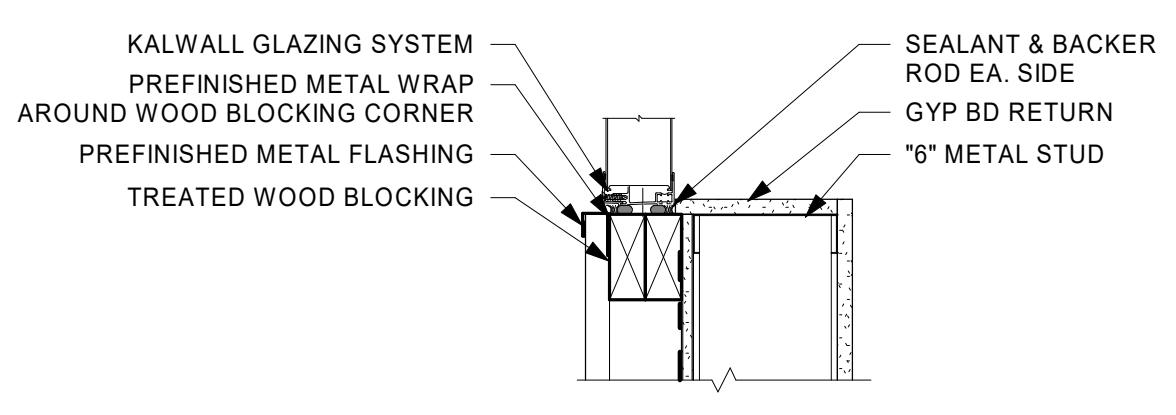
3 W2 (TRANSLUCENT WALL PANEL)
1/4" = 1'-0"



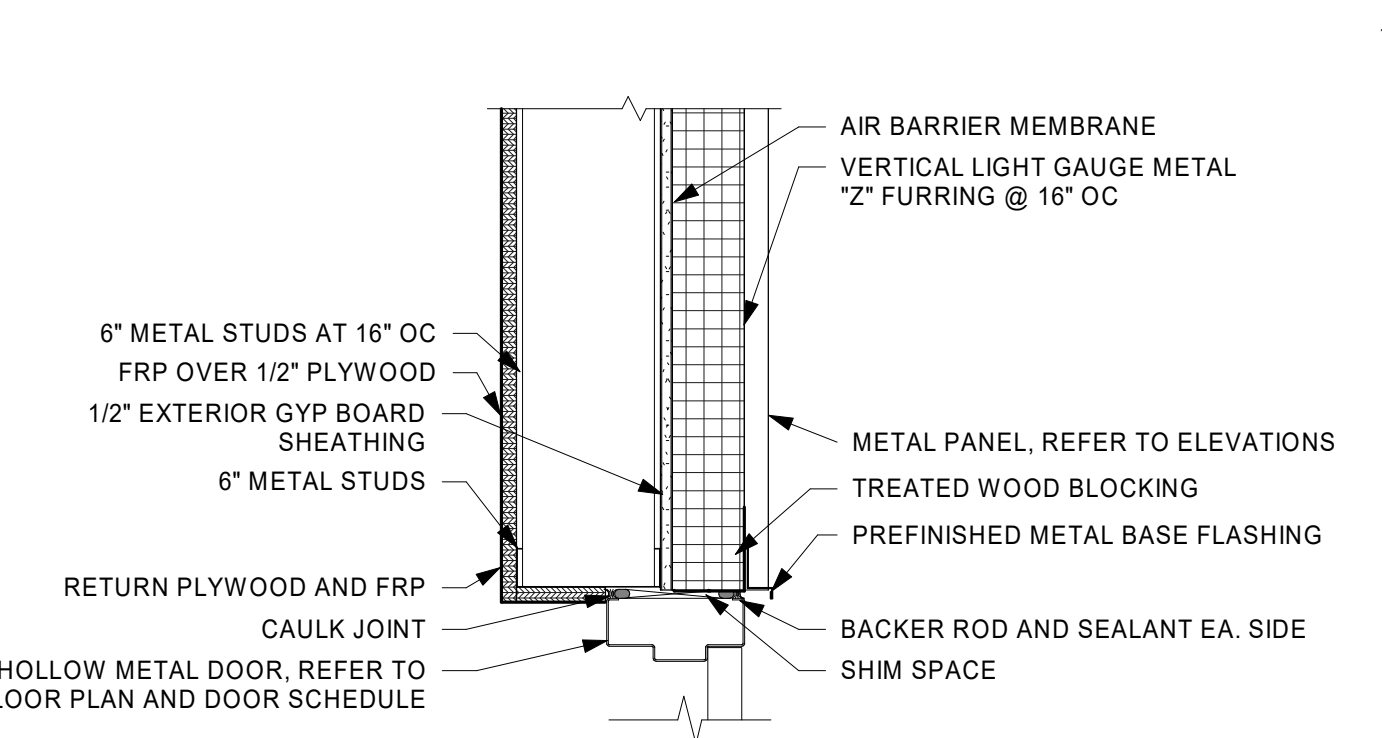
4 WINDOW GLAZING JAMB DETAIL
1 1/2" = 1'-0"



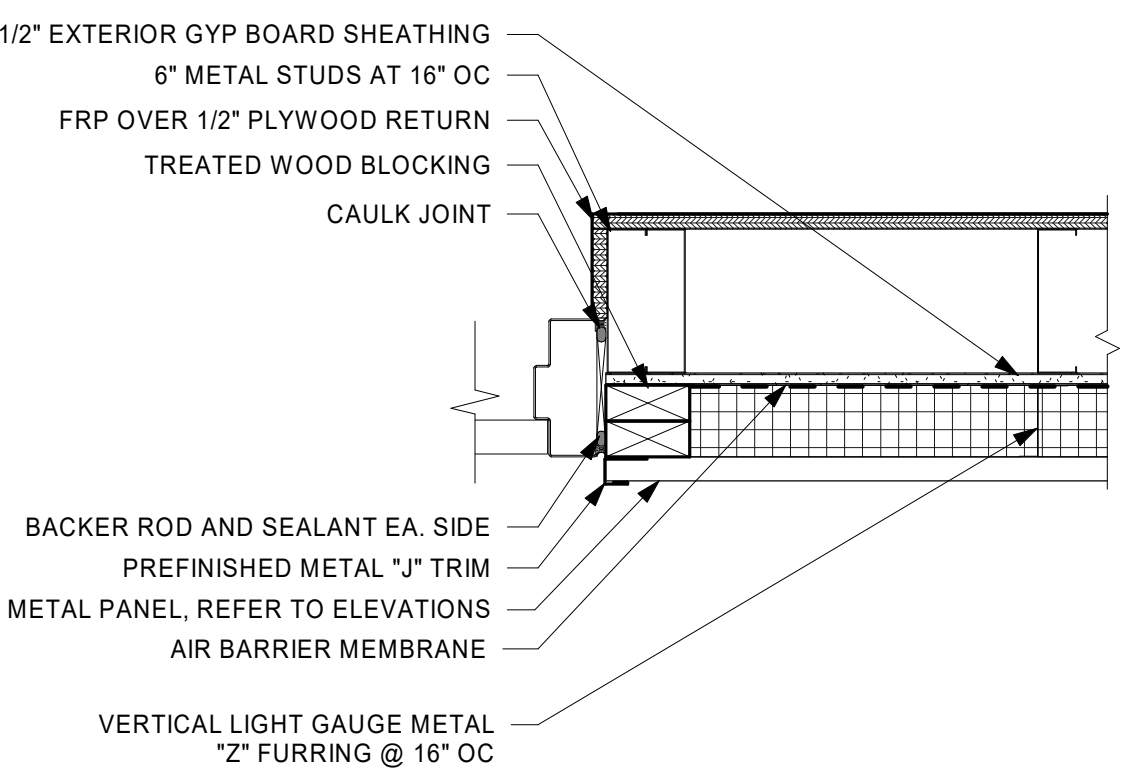
5 INTERIOR HOLLOW METAL HEAD DETAILS
1 1/2" = 1'-0"



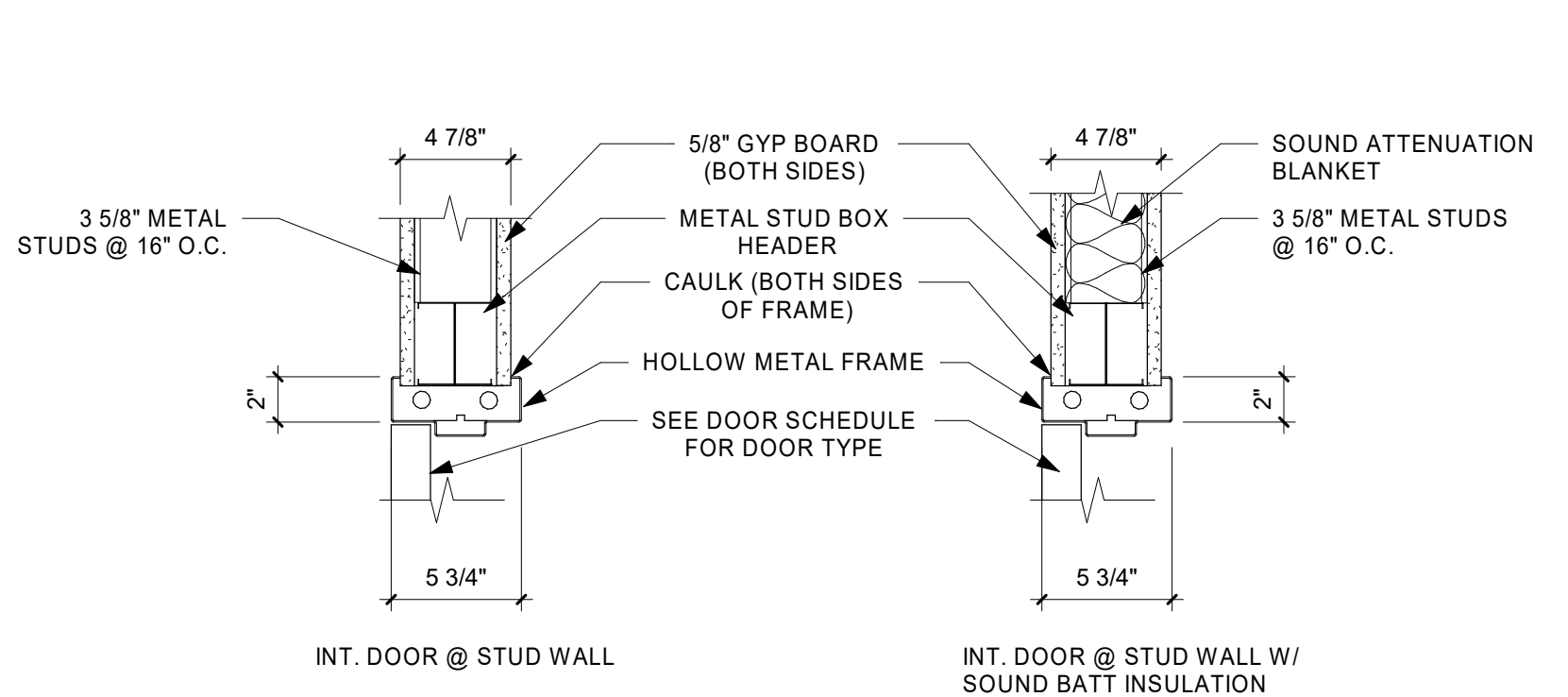
6 WINDOW SILL DETAIL
1 1/2" = 1'-0"



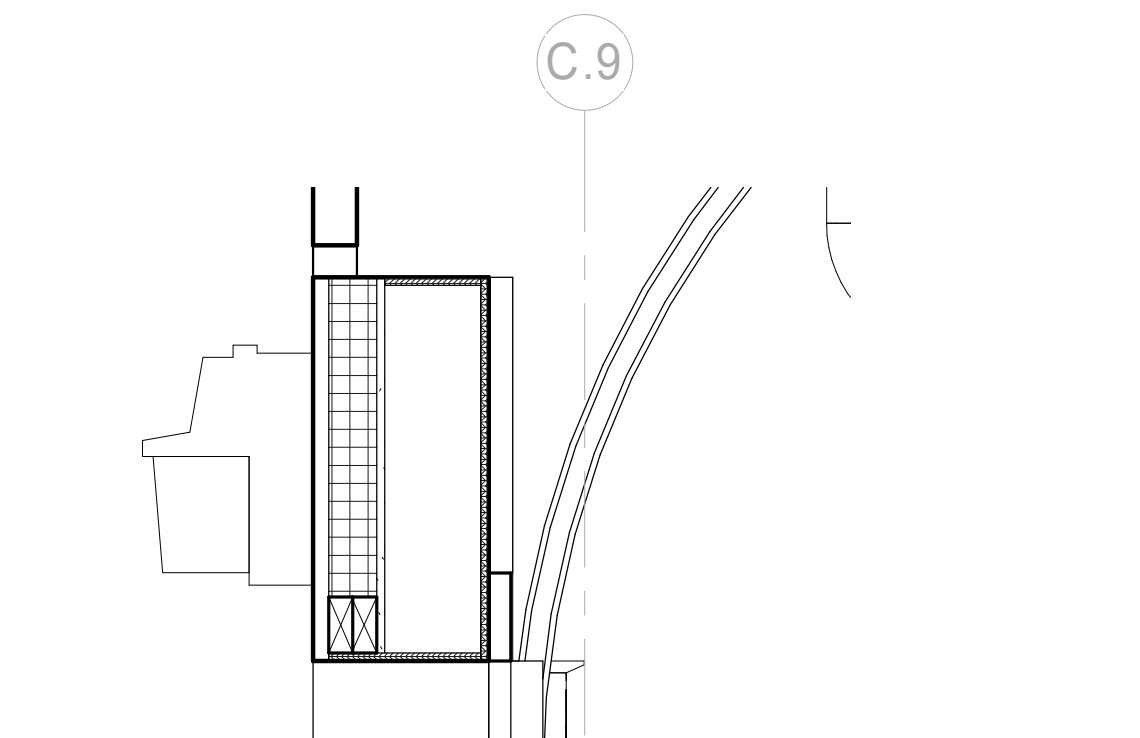
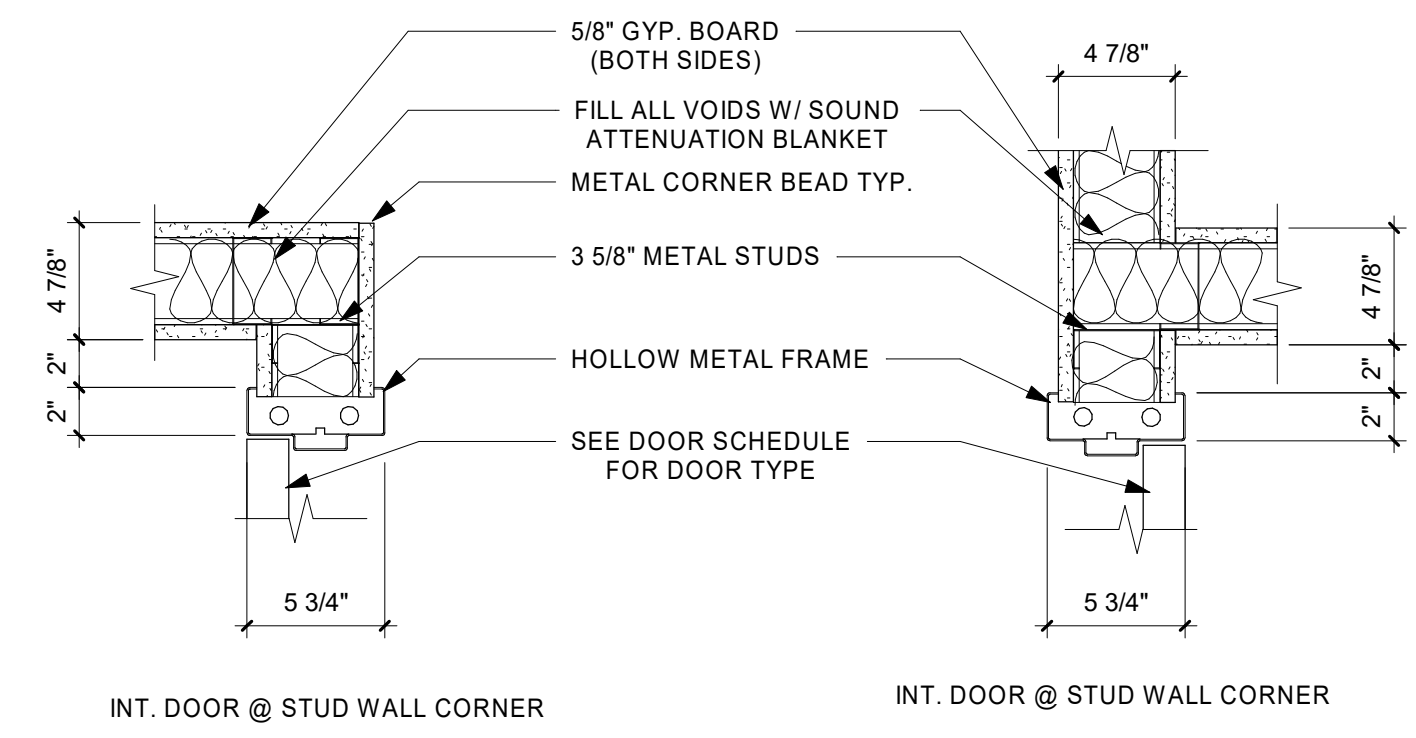
7 EXTERIOR HOLLOW METAL DOOR HEAD
1 1/2" = 1'-0"



8 EXTERIOR HOLLOW METAL DOOR JAMB
1 1/2" = 1'-0"



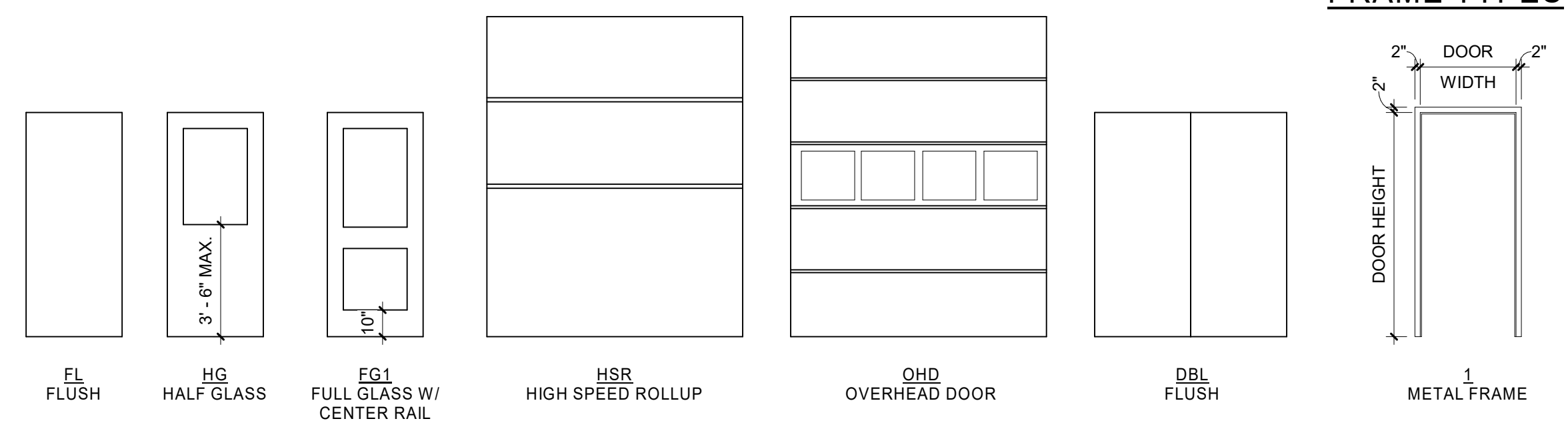
9 INTERIOR HOLLOW METAL JAMB DETAILS
1 1/2" = 1'-0"



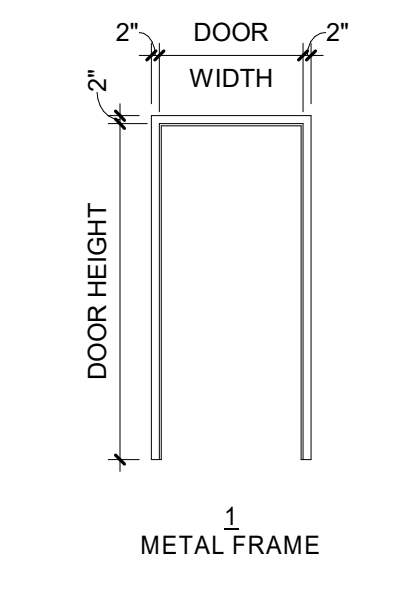
10 OVERHEAD DOOR HEAD DETAIL
1" = 1'-0"

DOOR SCHEDULE									
MARK	ROOM NAME	WIDTH	HEIGHT	DOOR TYPE	DOOR MATERIAL	FRAME TYPE	FRAME MATERIAL	HARDWARE GROUP	COMMENTS
101A	PREP BAY 1	12'-0"	10'-0"	OHD	INSULATED STEEL	-	-	-	
101B	PREP BAY 1	3'-0"	7'-0"	FL	HOLLOW METAL	1	HOLLOW METAL	-	CARD READER
102A	PREP BAY 2	12'-0"	10'-0"	OHD	INSULATED STEEL	-	-	-	
102B	PREP BAY 2	3'-0"	7'-0"	FL	HOLLOW METAL	1	HOLLOW METAL	-	CARD READER
103A	PREP BAY 3	12'-0"	10'-0"	OHD	INSULATED STEEL	-	-	-	
103B	PREP BAY 3	3'-0"	7'-0"	FL	HOLLOW METAL	1	HOLLOW METAL	-	CARD READER
104A	PREP BAY 4	12'-0"	10'-0"	OHD	INSULATED STEEL	-	-	-	
104B	PREP BAY 4	3'-0"	7'-0"	FL	HOLLOW METAL	1	HOLLOW METAL	-	CARD READER
105	TR 2	3'-0"	7'-0"	FL	HOLLOW METAL	1	HOLLOW METAL	-	
106	TR 1	3'-0"	7'-0"	FL	HOLLOW METAL	1	HOLLOW METAL	-	
107	VESTIBULE	3'-0"	7'-0"	FG1	ALUMINUM	1	ALUMINUM	-	ACCESS CONTROL
108	CLOSET	3'-0"	7'-0"	FL	HOLLOW METAL	1	HOLLOW METAL	-	
109	OFFICE 1	3'-0"	7'-0"	FL	HOLLOW METAL	1	HOLLOW METAL	-	OVERHEAD STOP
110	OFFICE 2	3'-0"	7'-0"	FL	HOLLOW METAL	1	HOLLOW METAL	-	OVERHEAD STOP
111	IT CLOSET	3'-0"	7'-0"	FL	HOLLOW METAL	1	HOLLOW METAL	-	THRESHOLD & GASKET ON DOOR, OVERHEAD STOP
112	OFFICE 3	3'-0"	7'-0"	FL	HOLLOW METAL	1	HOLLOW METAL	-	OVERHEAD STOP
113	OFFICE 4	3'-0"	7'-0"	FL	HOLLOW METAL	1	HOLLOW METAL	-	OVERHEAD STOP
114	MECHANICAL ROOM	6'-0"	7'-0"	DBL	HOLLOW METAL	1	HOLLOW METAL	-	ACCESS CONTROL
115A	CAR WASH	10'-0"	10'-0"	OHD	POLYCARBONATE	-	-	-	
115B	CAR WASH	10'-0"	10'-0"	OHD	POLYCARBONATE	-	-	-	
115C	CAR WASH	3'-0"	7'-0"	NL	FIBERGLASS	1	FIBERGLASS	-	KEYED LOCK
115D	CAR WASH	3'-0"	7'-0"	NL	FIBERGLASS	1	FIBERGLASS	-	
115E	CAR WASH	3'-0"	7'-0"	NL	FIBERGLASS	1	FIBERGLASS	-	

DOOR TYPES



FRAME TYPES



THIS DOCUMENT IS THE PROPERTY OF I & S GROUP, INC. AND MAY NOT BE USED, COPIED OR DUPLICATED WITHOUT PRIOR WRITTEN CONSENT.

LA CROSSE REGIONAL AIRPORT CAR WASH FACILITY

LA CROSSE WISCONSIN

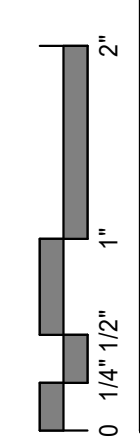
REVISION SCHEDULE		
DATE	DESCRIPTION	BY

PROJECT NO.	18-21496
FILE NAME	21496 Arch R18.rvt
DRAWN BY	SJR
DESIGNED BY	KMB
REVIEWED BY	KMB
ORIGINAL ISSUE DATE	01/14/2019
CLIENT PROJECT NO.	

DOOR SCHEDULE, DOOR AND FRAME TYPES

SHEET

A4-11



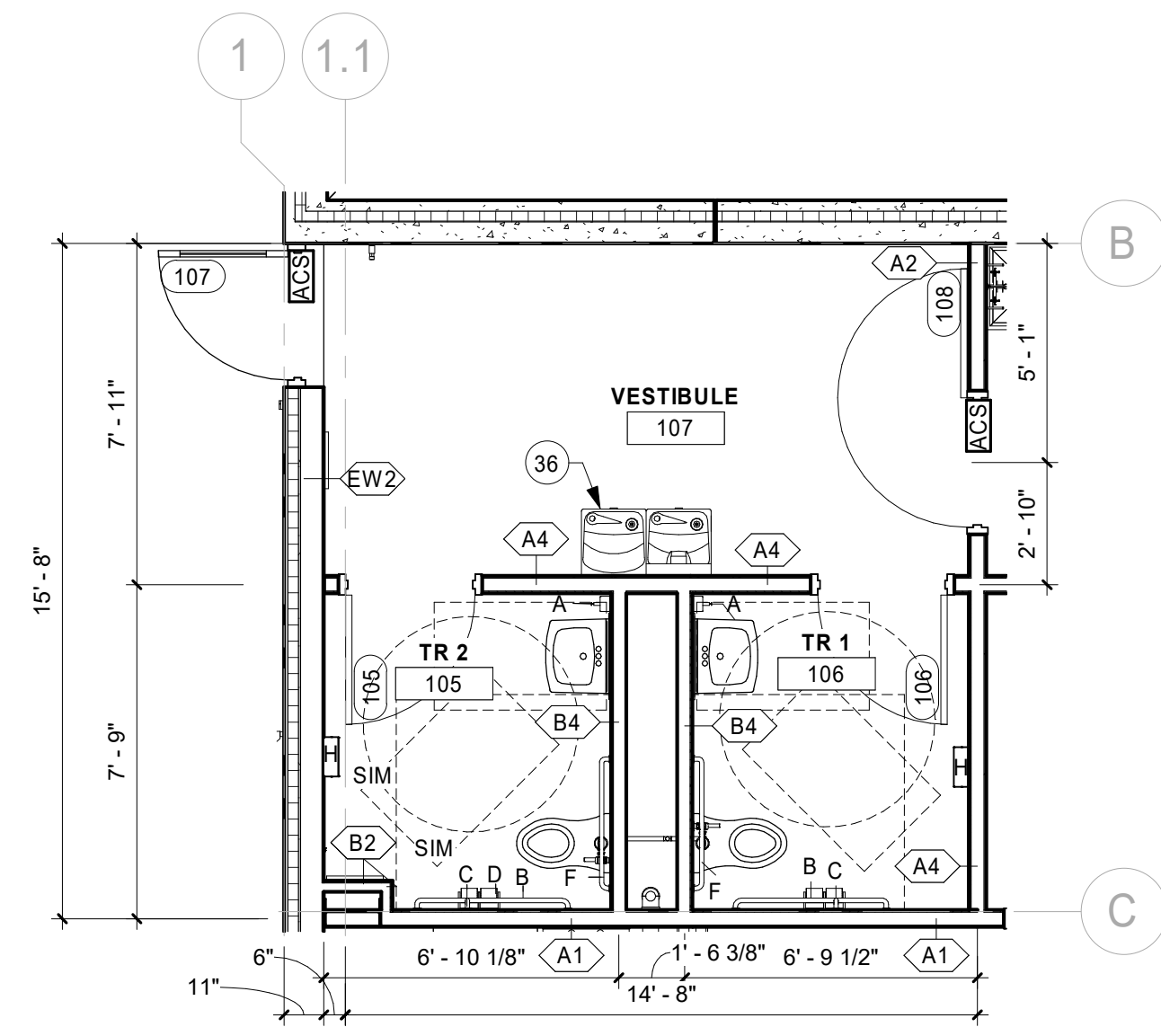


RESTROOM ACCESSORY SCHEDULE

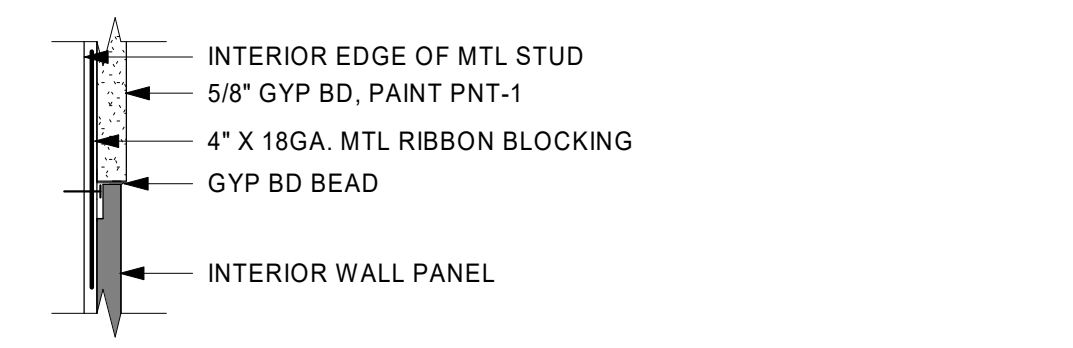
MARK	DESCRIPTION	COMMENTS
A	DISPENSER, SOAP, WALL MOUNTED	
B	ADA GRAB BAR (HORIZONTAL 42")	
C	ADA GRAB BAR (VERTICAL 18")	
D	TOILET TISSUE DISPENSER - DOUBLE	
E	STAINLESS STEEL MIRROR	
F	ADA GRAB BAR (HORIZONTAL 36")	
H	PAPER TOWEL DISPENSER	

KEYNOTE LEGEND

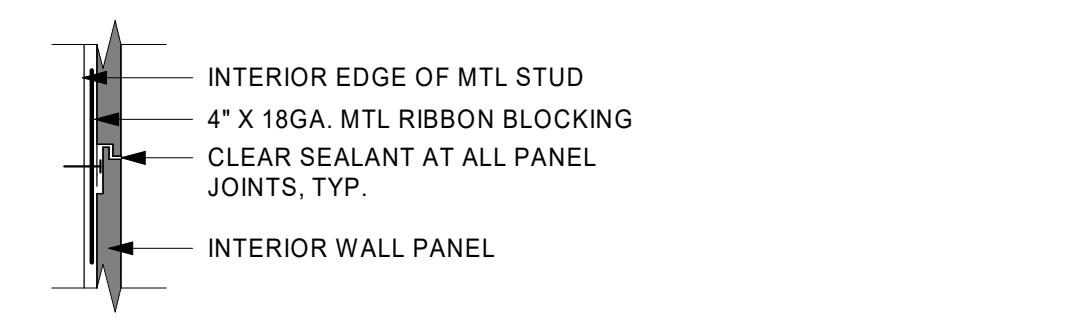
15	BOLLARD, REFER TO STRUCTURAL DRAWINGS.
21	LIGHT FIXTURE, REFER TO ELECTRICAL DRAWINGS, TYP.
23	MECHANICAL EQUIPMENT, REFER TO MECHANICAL DRAWINGS.
31	WASHER AND DRYER SHOWN FOR REFERENCE ONLY, REFER TO MECHANICAL AND ELECTRICAL DOCUMENTS.
32	TREATED WOOD BLOCKING FOR OVERHEAD DOOR MOUNTING, AS REQUIRED BY DOOR MANUFACTURER.
33	STEEL COLUMN, PAINT, REFER TO STRUCTURAL DOCUMENTS.
34	STEEL BEAM, PAINT, REFER TO STRUCTURAL DOCUMENTS.
35	STEEL JOISTS, TYP. PAINT, REFER TO STRUCTURAL DOCUMENTS.
36	DRINKING FOUNTAIN, REFER TO PLUMBING DOCUMENTS.



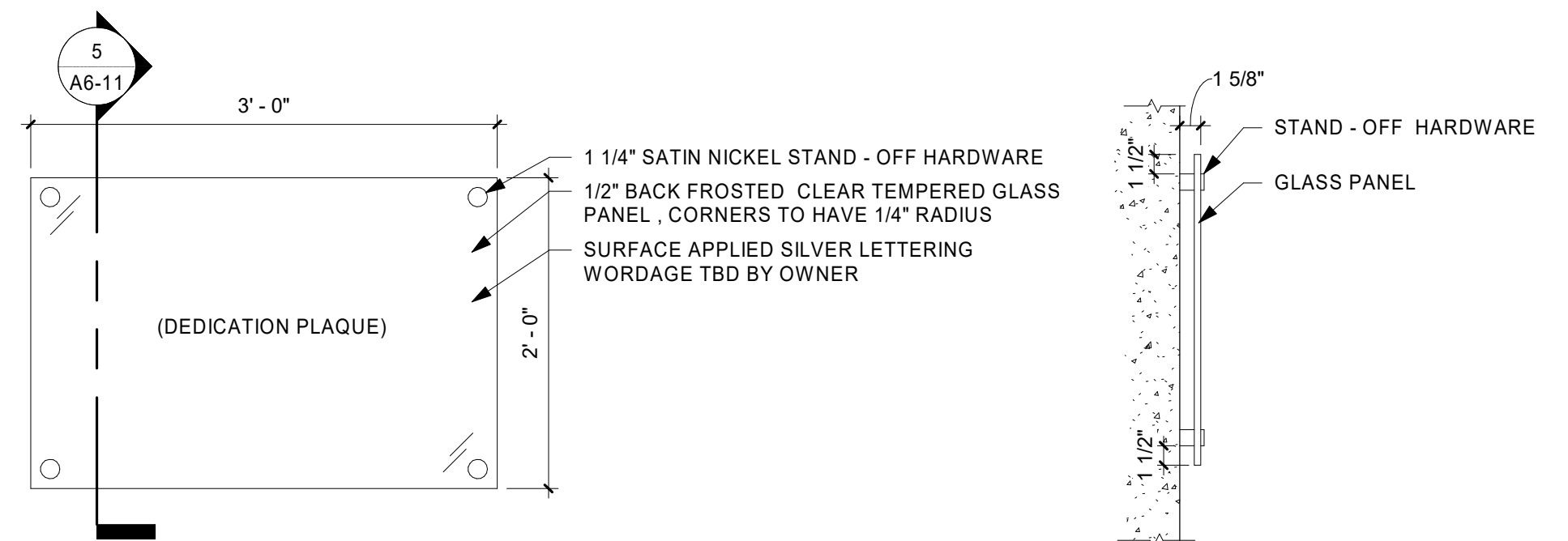
1 ENLARGED TOILET ROOM
1/4" = 1'-0"



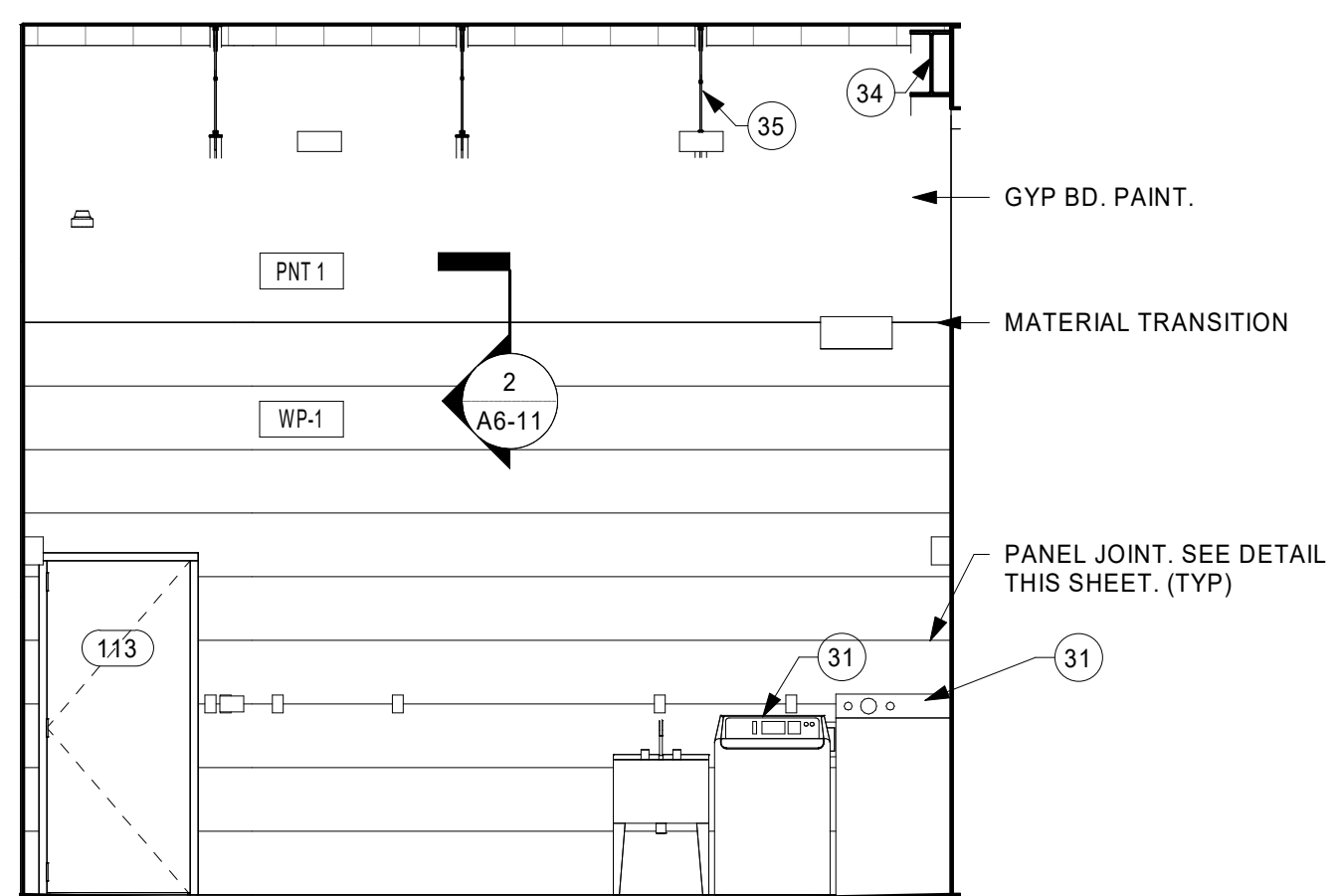
2 INTERIOR WALL MATERIAL TRANSITION
3" = 1'-0"



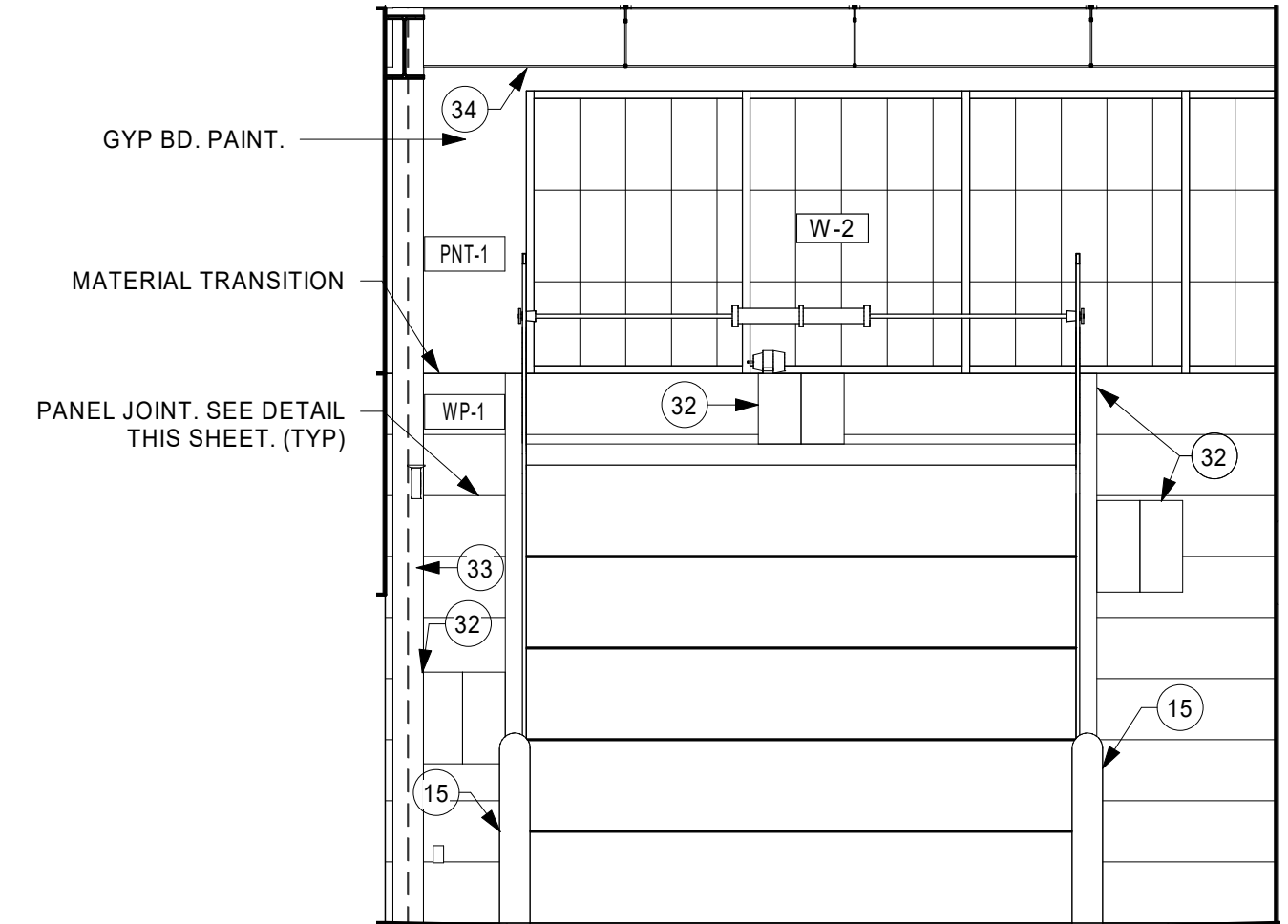
3 INTERIOR WALL PANEL JOINT DETAIL
3" = 1'-0"



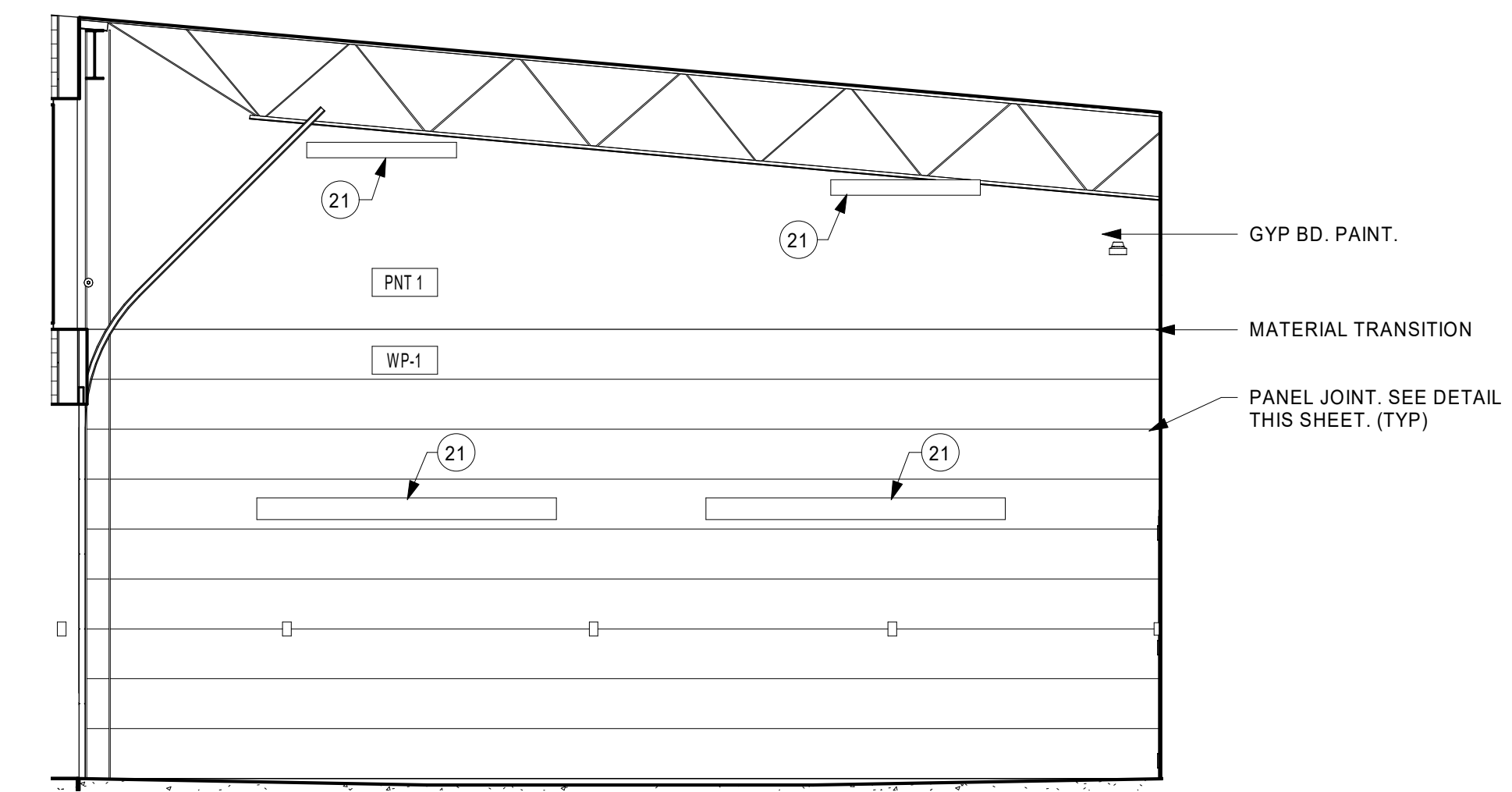
4 DEDICATION PLAQUE DETAIL 1" = 1'-0"
5 PLAQUE SECTION 1" = 1'-0"



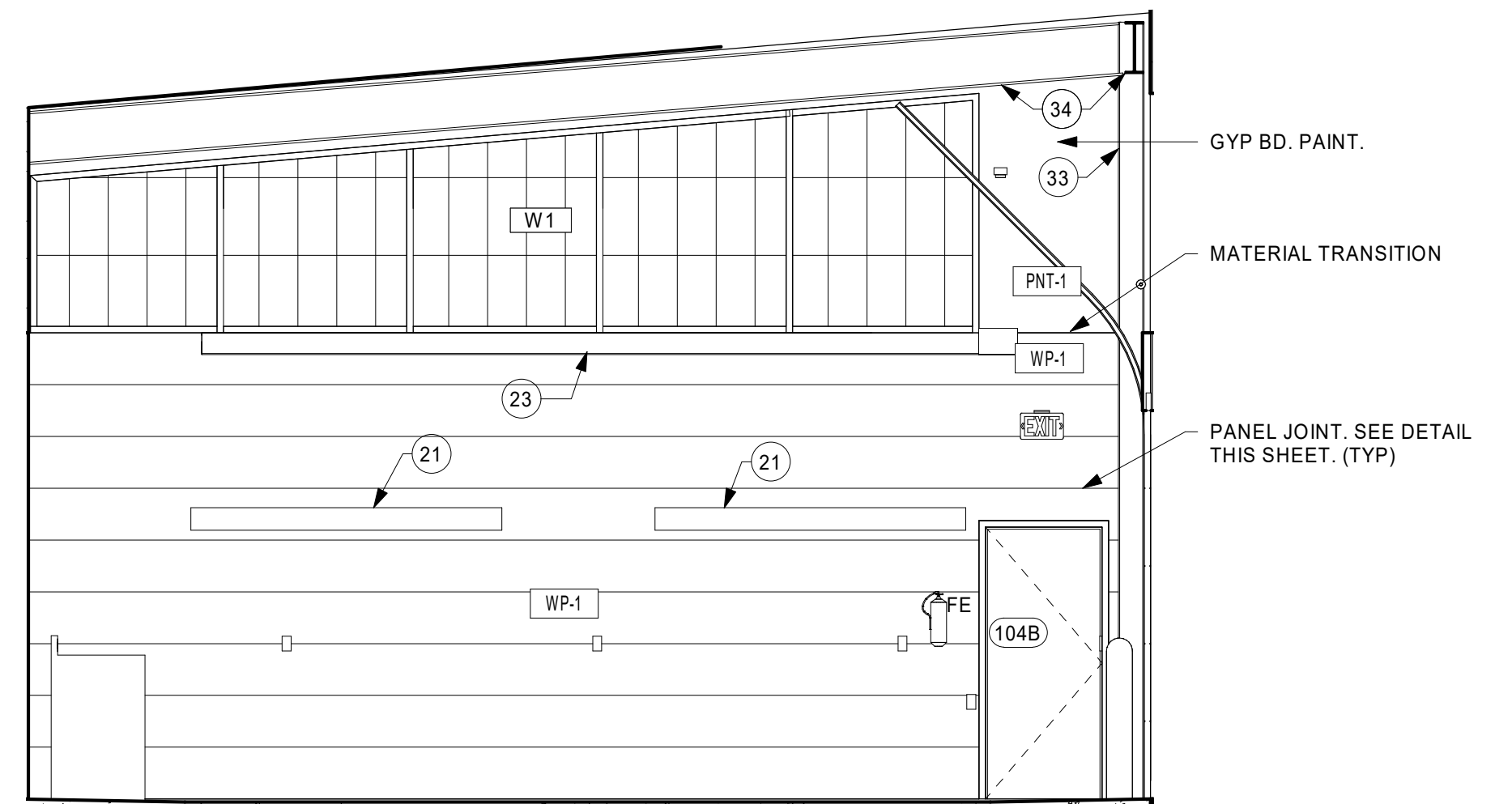
6 PREP BAY - NORTH ELEVATION
1/4" = 1'-0"



7 PREP BAY - SOUTH ELEVATION
1/4" = 1'-0"



8 PREP BAY - WEST ELEVATION
1/4" = 1'-0"



9 PREP BAY - EAST ELEVATION
1/4" = 1'-0"

THIS DOCUMENT IS THE PROPERTY OF I & S GROUP, INC. AND MAY NOT BE USED, COPIED OR DUPLICATED WITHOUT PRIOR WRITTEN CONSENT.

PROJECT
LA CROSSE REGIONAL AIRPORT CAR WASH FACILITY

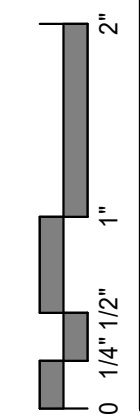
LA CROSSE WISCONSIN

REVISION SCHEDULE		
DATE	DESCRIPTION	BY

PROJECT NO.	18-21496
FILE NAME	21496 Arch R18.rvt
DRAWN BY	SJR
DESIGNED BY	KMB
REVIEWED BY	KMB
ORIGINAL ISSUE DATE	
CLIENT PROJECT NO.	

TITLE
ENLARGED PLANS AND INTERIOR ELEVATIONS

SHEET
A6-11



PRELIMINARY NOT FOR CONSTRUCTION