



CABINETS

& Millwork, Inc.

4003 North Kinney Coulee Rd.
La Crosse, WI 54601-1831
P (608) 783-8055 • F (608) 783-5570
www.creativecabinets.biz

PROPOSAL

10-22-2014

City of La Crosse
400 La Crosse Street
La Crosse WI 54601-3396

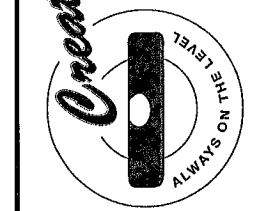
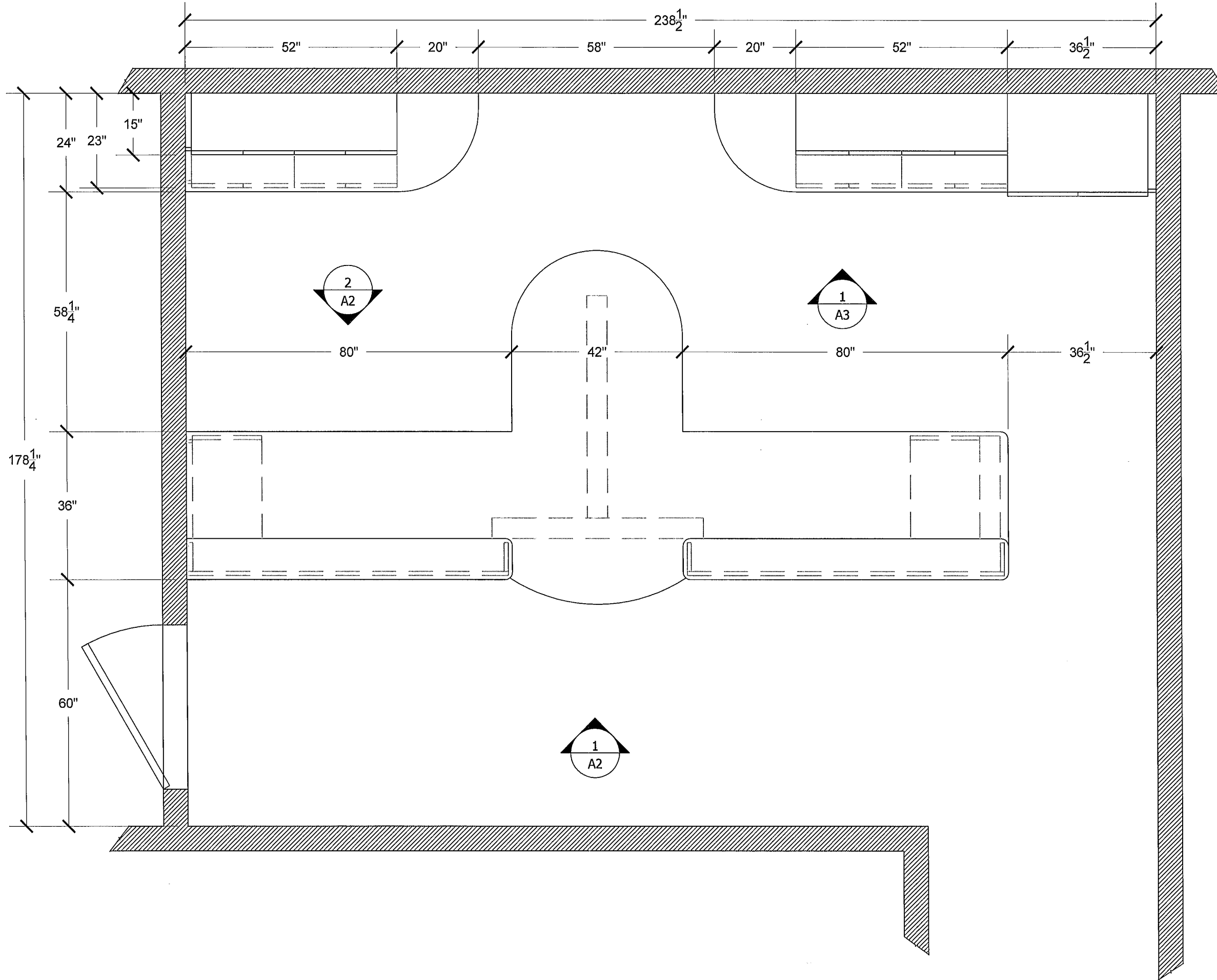
ATTN: Jacky Greschner
RE: Reception Area Casework

Field measure, prepare shop drawings, fabricate, deliver and install the plastic laminate casework as per my shop drawings dated 10-22-2014. My price does not include any data or electrical work, flooring or vinyl base repair or replacement.

\$12,608.00

If you have any questions please call
Thank You
Chris Pretasky

WCH



CABINETS
& Millwork, Inc.

4003 North Kinney Coulee Rd.
La Crosse, WI 54601-1831
P (608) 783-8055 • F (608) 783-5570

PROJECT NAME:
LA CROSSE CITY HALL 5TH FLOOR

ROOM:
INFORMATION SYSTEMS

VIEW:
PLAN

REFERENCE:
NONE

DATE SUBMITTED:
10-22-2014

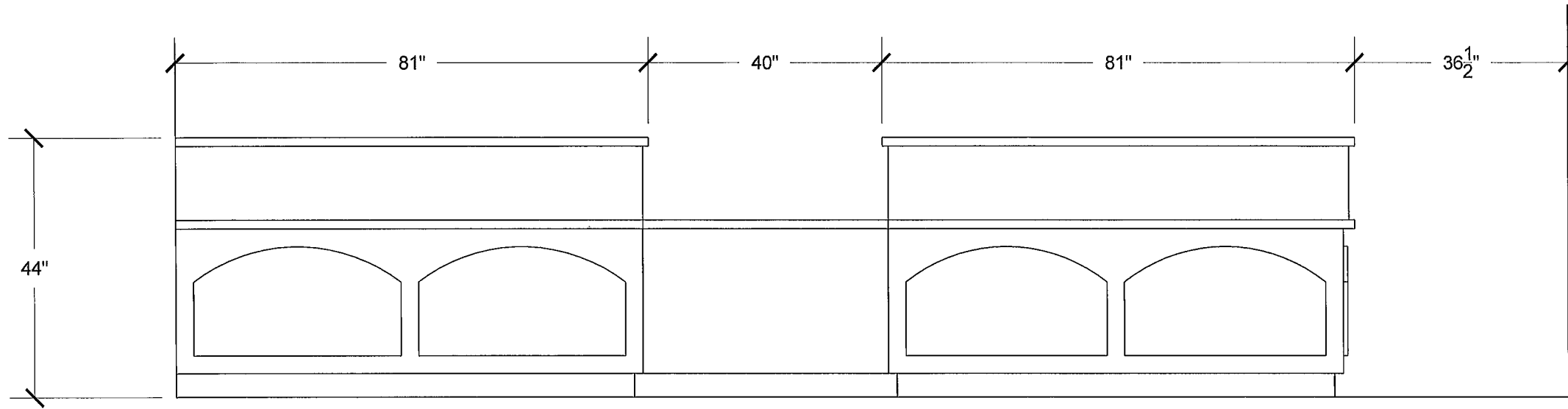
DATE CREATED:
10-22-2014

REVISIONS:

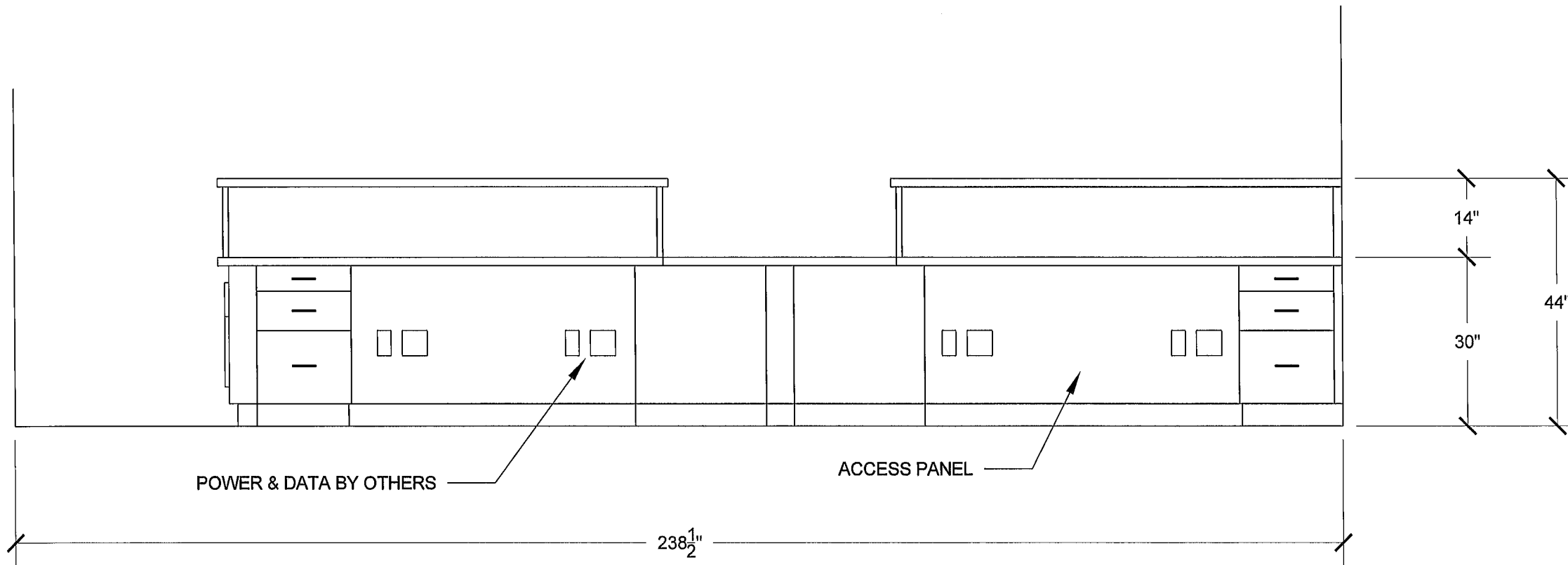
SCALE:
1/2" = 1'-0"

SHEET:

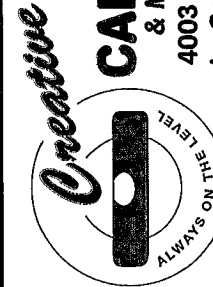
A1



1 ELEVATION
Scale: 1/2" = 1'-0"



2 ELEVATION
Scale: 1/2" = 1'-0"

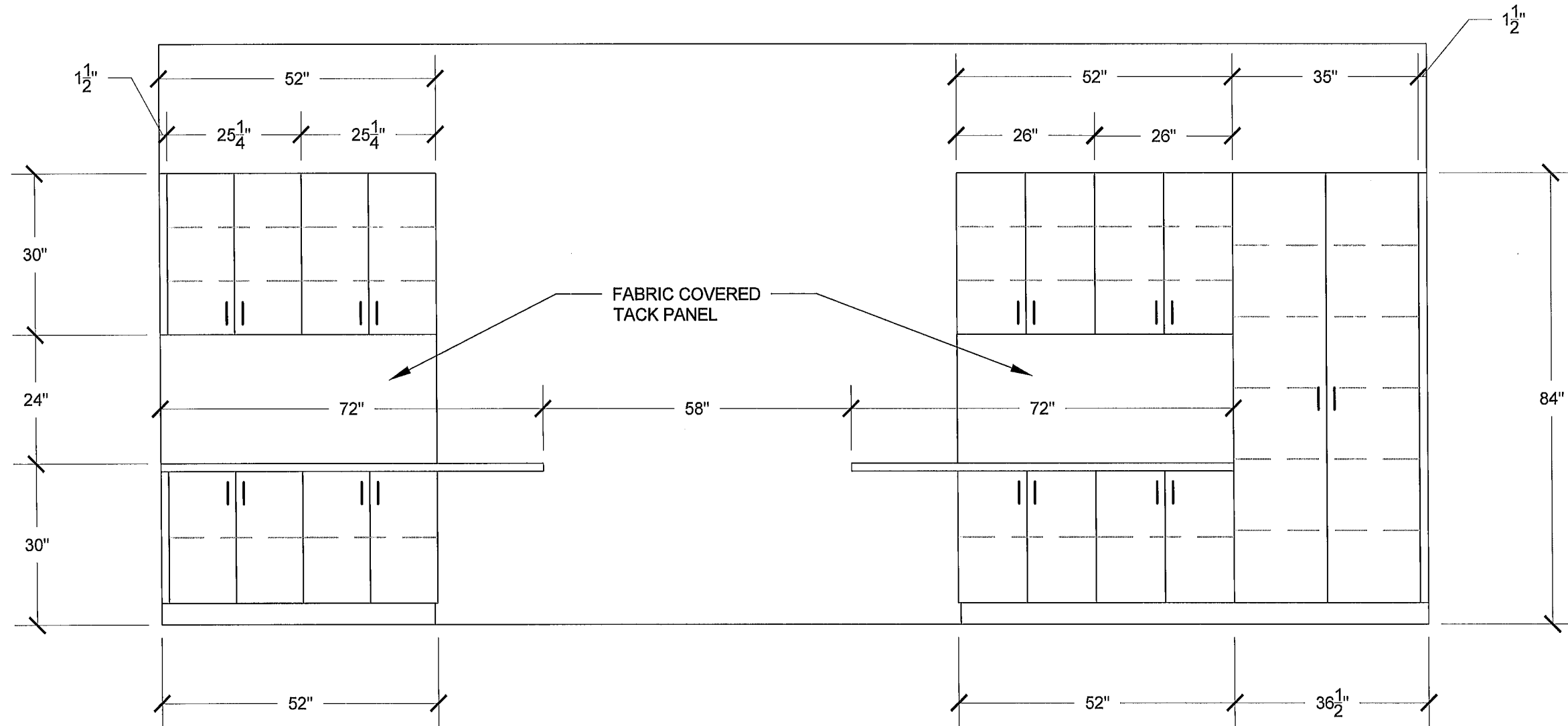


CABINETS
& Millwork, Inc.

4003 North Kinney Coulee Rd.
La Crosse, WI 54601-1831
P (608) 783-8055 • F (608) 783-5570

PROJECT NAME:	LA CROSSE CITY HALL 5TH FLOOR
ROOM:	INFORMATION SYSTEMS
VIEW:	ELEVATION
REFERENCE:	NONE
DATE SUBMITTED:	10-22-2014
DATE CREATED:	10-22-2014
REVISIONS:	
SCALE:	1/2" = 1'-0"
SHEET:	

A2



CABINETS
& Millwork, Inc.

4003 North Kinney Coulee Rd.
La Crosse, WI 54601-1831
P (608) 783-8055 • F (608) 783-5570

PROJECT NAME:
LA CROSSE CITY HALL 5TH FLOOR

ROOM:
INFORMATION SYSTEMS

VIEW:
BACK WALL ELEVATION

REFERENCE:
NONE

DATE SUBMITTED:
10-22-2014

DATE CREATED:
10-22-2014

REVISIONS:

SCALE:
1/2" = 1'-0"

SHEET:

A3