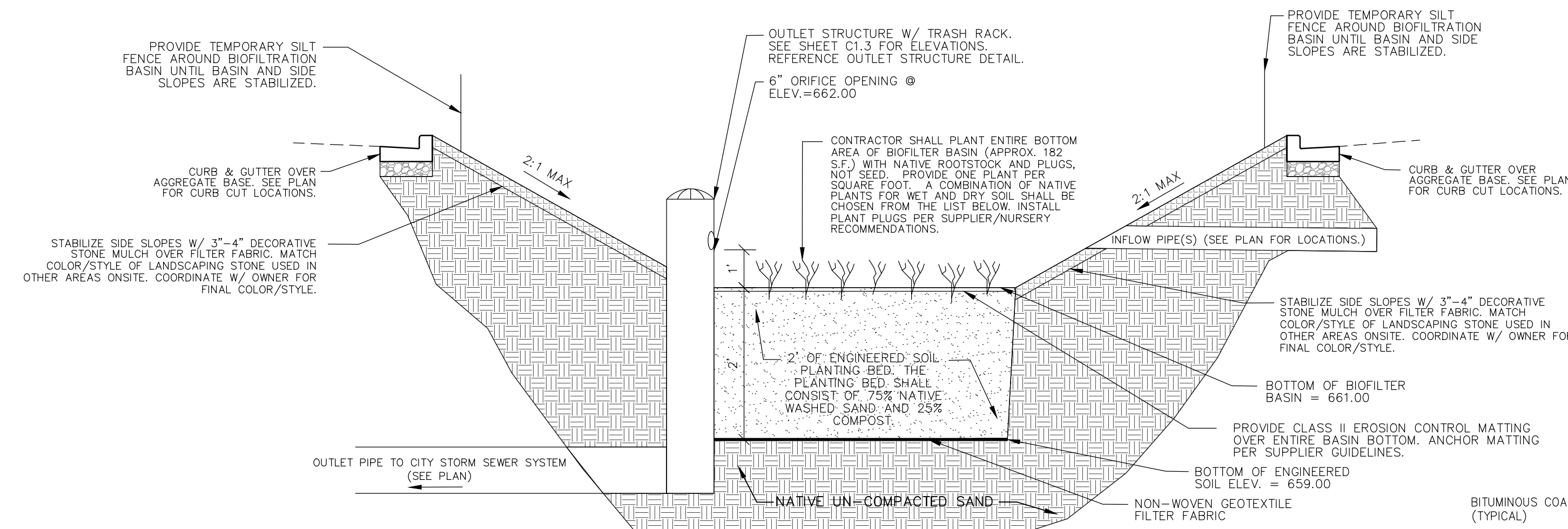


SPECIFICATION NOTE:  
SEE SHEET CO.1 FOR PLAN  
SPECIFICATIONS AND REQUIREMENTS



ENGINEERED SOIL: THE NATIVE SAND SHALL BE WASHED USDA SAND, 0.02 TO 0.04 INCHES IN DIAMETER. THE COMPOST COMPONENT SHALL MEET THE REQUIREMENTS OF WISCONSIN DEPARTMENT OF NATURAL RESOURCES SPECIFICATION 3100. ENGINEERED SOIL MIX SHALL HAVE A PH BETWEEN 5.5 AND 8.0.

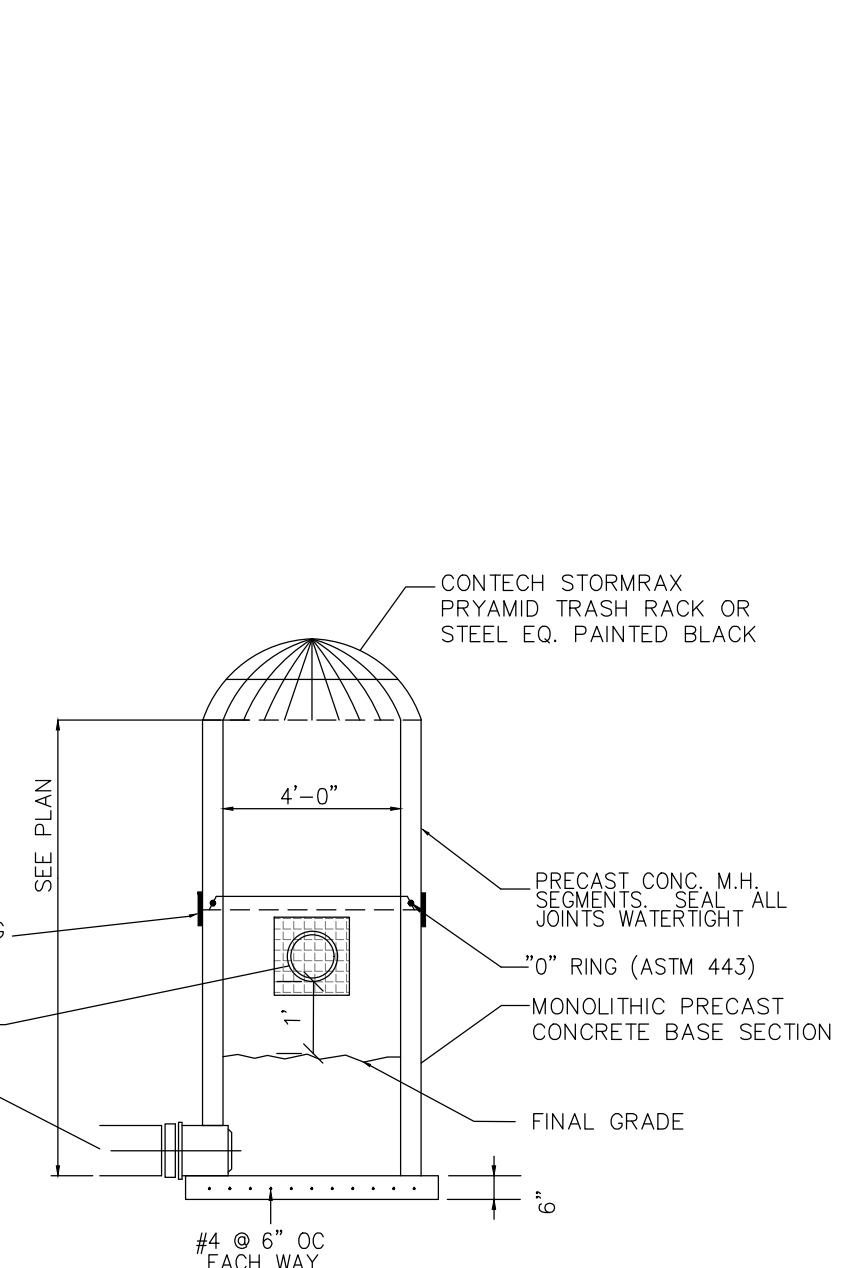
NOTE: AVOID COMPACTION WITHIN BIOFILTRATION BASIN DURING CONSTRUCTION. MINIMIZE OR AVOID USE OF HEAVY EQUIPMENT WITHIN THE BIOFILTRATION BASIN THROUGHOUT CONSTRUCTION WHEN PRACTICAL. REMOVE ANY SEDIMENT DEPOSITS FOLLOWING CONSTRUCTION AS NEEDED.

NOTE: VERIFY SOILS BELOW THE INFILTRATION DEVICE ARE NATIVE SANDY SOILS WITH HIGH INFILTRATION CHARACTERISTICS. IF LESS PERMEABLE SOILS ARE ENCOUNTERED, UNDERCUT UNSUITABLE MATERIAL AND REPLACE WITH NATIVE SAND MATERIAL. REMOVE ANY FINE MATERIAL OR BURIED TOPSOIL ENCOUNTERED DURING CONSTRUCTION OF THE BIOFILTER BASIN. IT IS RECOMMENDED THAT THE BOTTOM OF THE BASIN BE SCARIFIED AND RAKED TO PROMOTE PROPER INFILTRATION.

PLANT LIST:  
DRY SOIL: BUTTERFLY FLOWER, PURPLE PRAIRIE CLOVER, BEE BALM, LITTLE BLUESTEM SPIDERWEED, WHITE FALSE INDIGO, VIRGINIA WATERLEAF, SWEET BLACK-HEADED SUSAN, GAZANER, BIG BLUESTEM, CUP PLANT, COMMON IRONWED.

WET SOIL: GIANT HISSOP, CANADA ANEMONE, MARSH MILKWEED, NEW ENGLAND ASTER, TURKISHHEAD, JOE-PYE WED, BONESET, BLUELAG IRIS, GREAT BLUE LOBELIA, SWITCHGRASS, OBEDIENT PLANT, MOUNTAIN MINT, TALL MEADOW RUE, CULVER'S ROOT, GOLDEN ALEXANDER.

BIOFILTER BASIN DETAIL  
NO SCALE



PROVIDE CONTECH STORMRAX FLAT SERIES TRASH RACK OR STEEL ED. PAINTED BLACK ON OUTLET ORIFICES. FINAL TRASH RACK SIZE BY SUPPLIER.

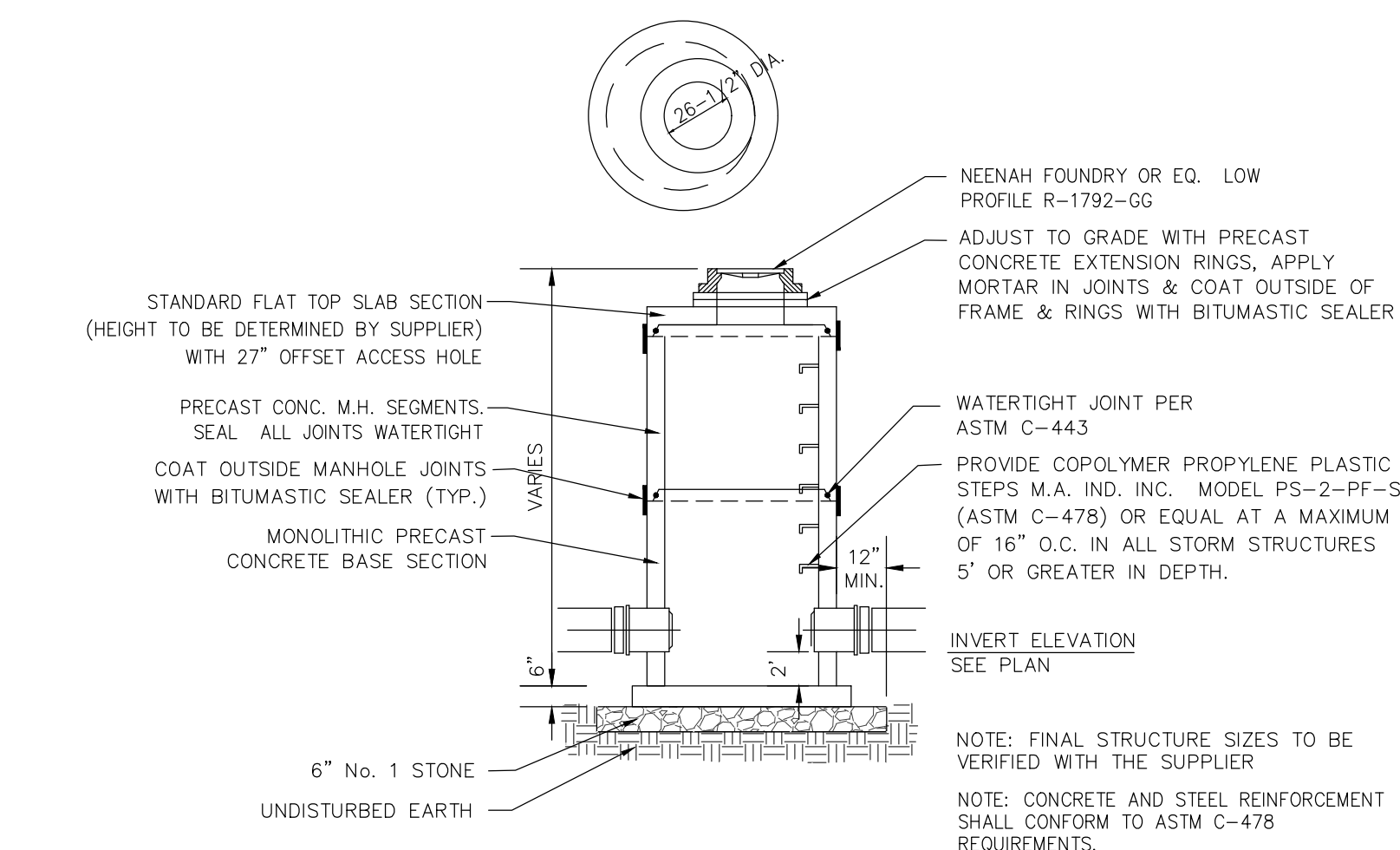
PROVIDE COPOLYMER PROPYLENE PLASTIC STEPS M.A. IND. INC. MODEL PS-2-PP-S (ASTM C-478) OR EQUAL AT A MAXIMUM OF 16" O.C. IN ALL STORM STRUCTURES 5' OR GREATER IN DEPTH.

NOTE: CONCRETE AND STEEL REINFORCEMENT SHALL CONFORM TO ASTM C-478 REQUIREMENTS.

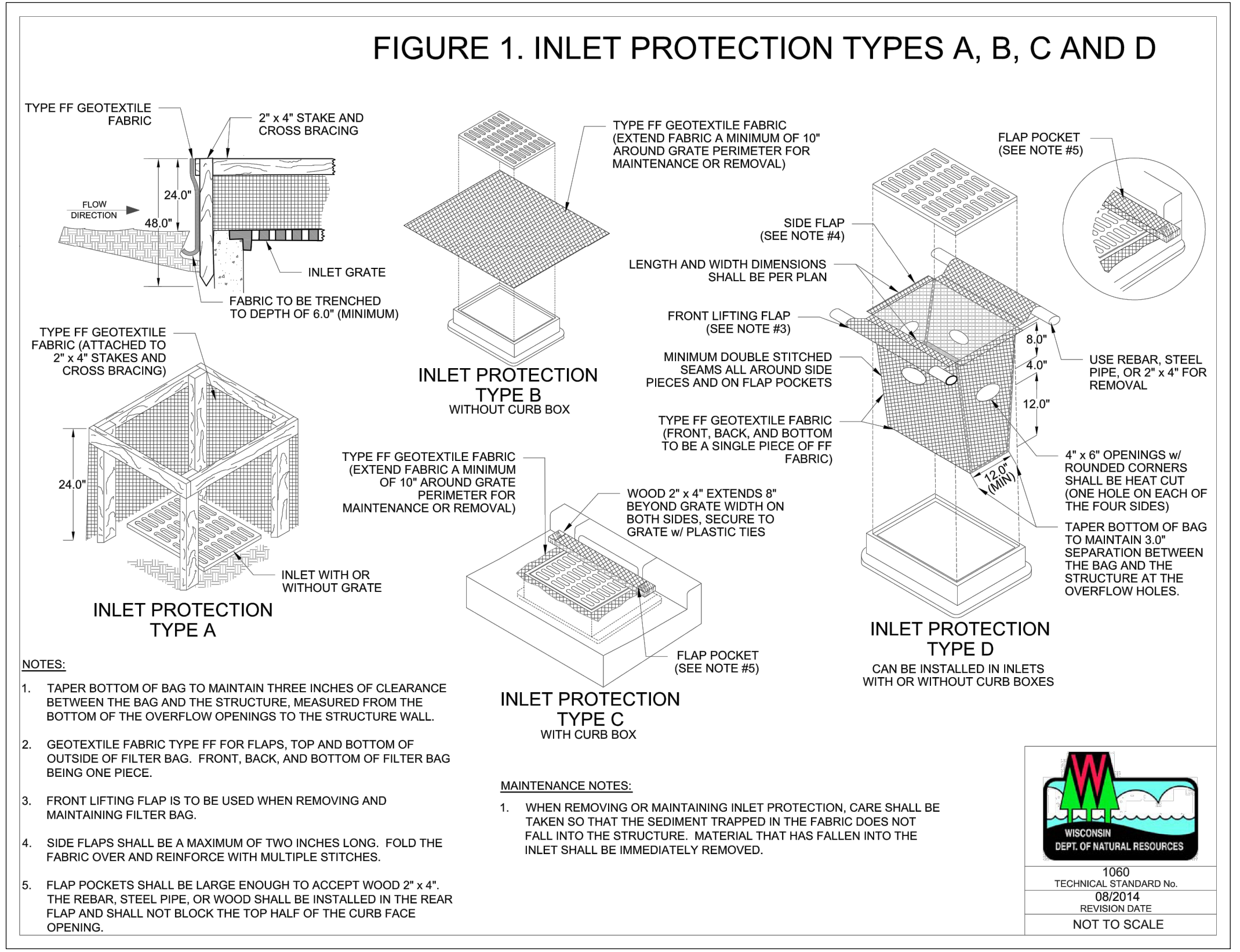
NOTE: FINAL STRUCTURE SIZES TO BE VERIFIED WITH THE SUPPLIER.

REFERENCE PLAN DOCUMENTS FOR INVERT ELEVATIONS.

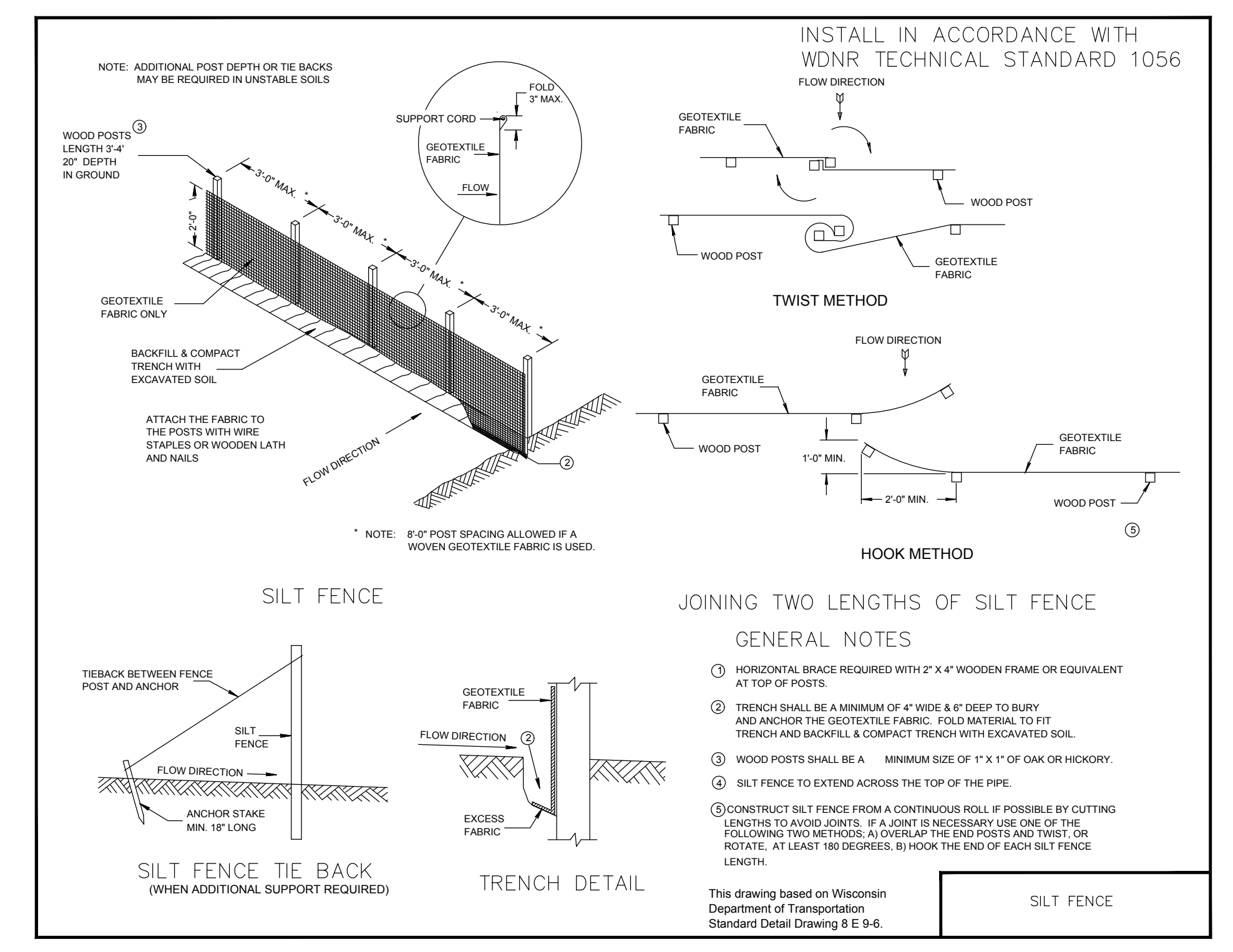
OUTLET STRUCTURE DETAIL  
NO SCALE



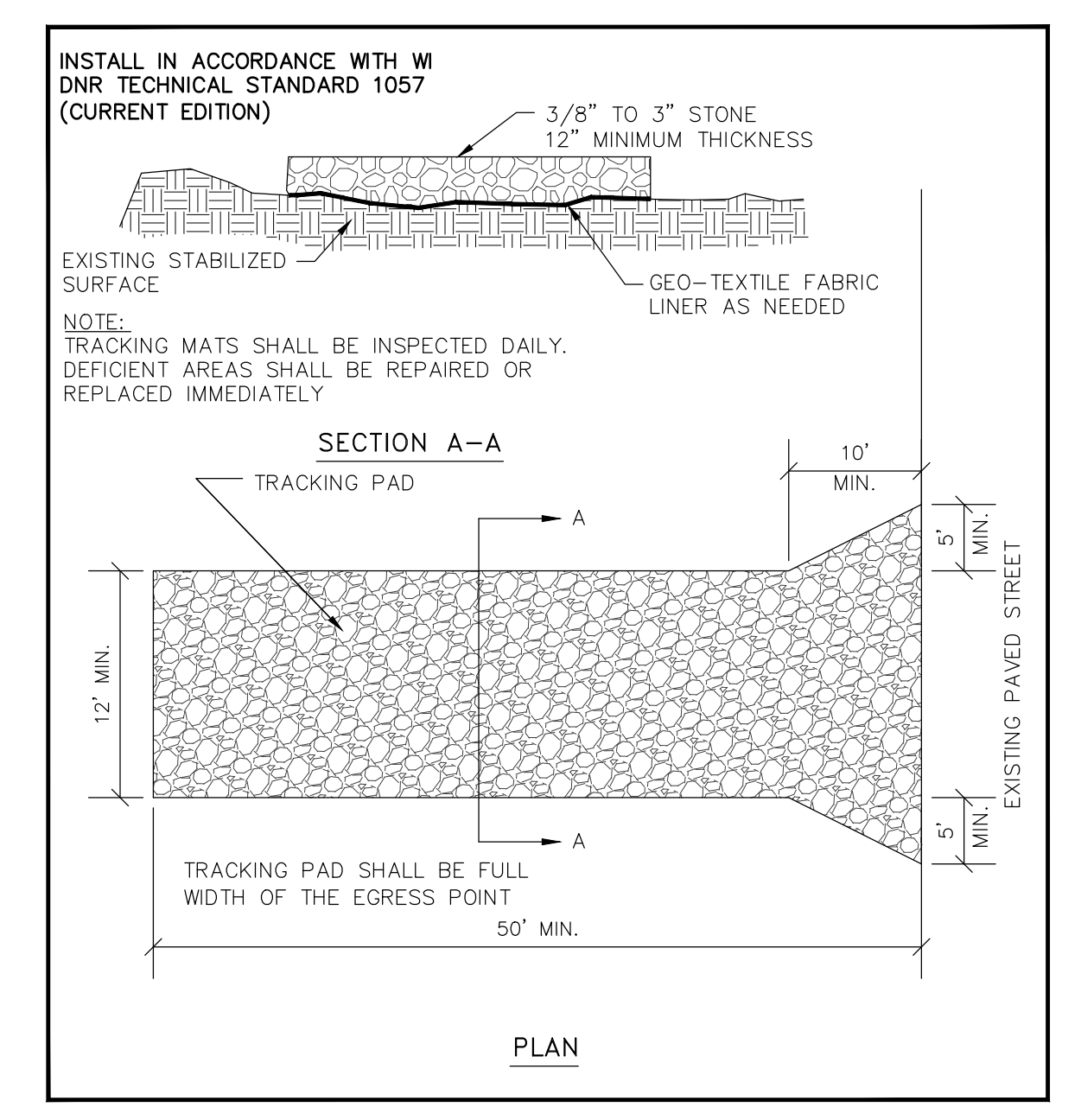
STORM CATCH BASIN W/ SUMP DETAIL  
NO SCALE



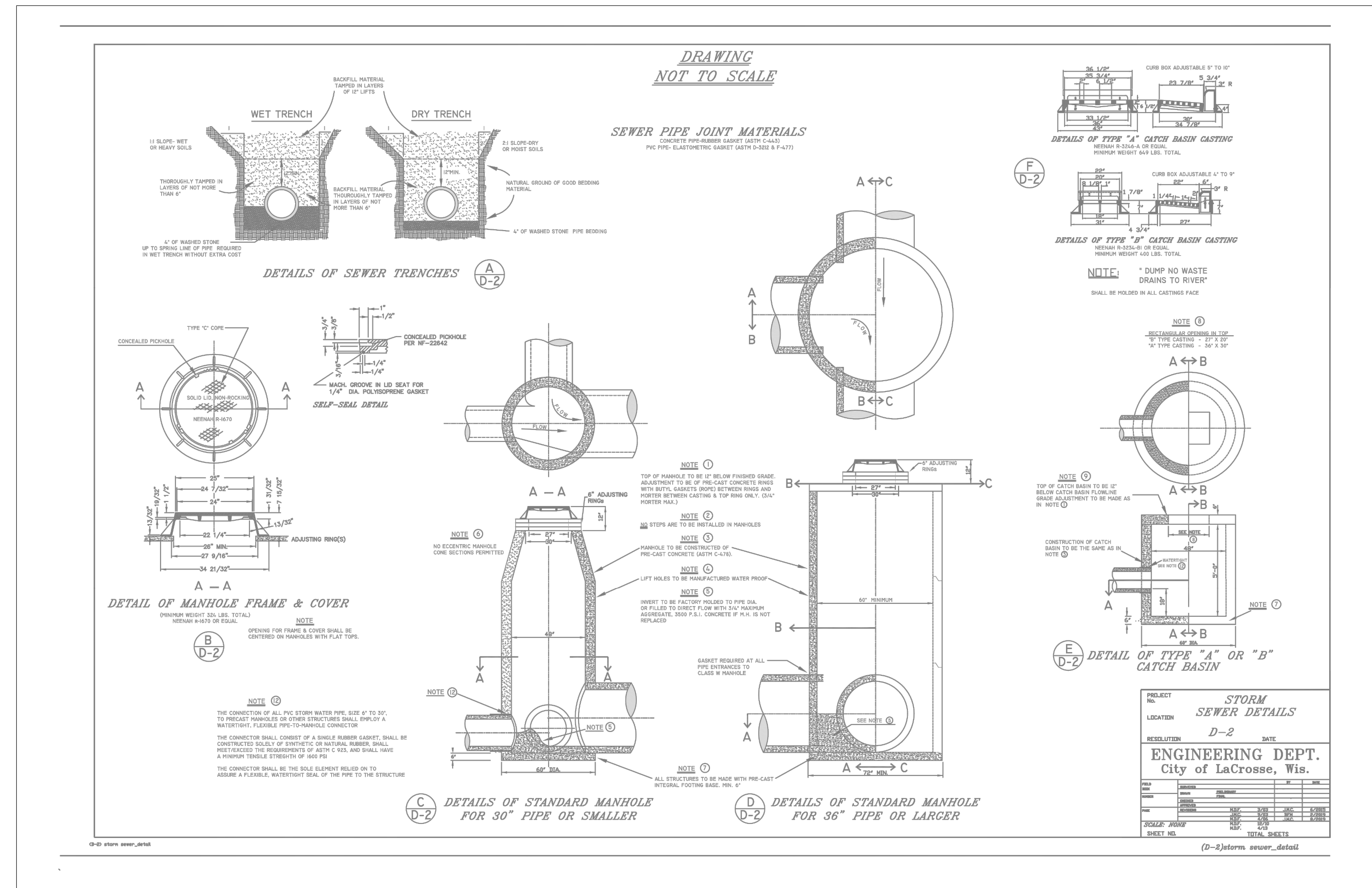
INLET PROTECTION DETAIL  
NO SCALE



SILT FENCE - INSTALLATION DETAIL  
NO SCALE



TRACKPAD DETAILS  
NO SCALE



CITY OF LA CROSSE STORM MANHOLE DETAILS (ALLEY-WAY MANHOLE)  
NO SCALE

PROJECT INFORMATION

PROPOSED PARKING LOT IMPROVEMENTS  
**CITY BREWING COMPANY, LLC**  
1106 3RD STREET S • LA CROSSE, WI 54601

1000 TECHNICAL STANDARD No. 082014 REVISION DATE NOT TO SCALE

PROFESSIONAL SEAL

PRELIMINARY DATES  
APR. 2, 2021

JOB NUMBER  
2113100

SHEET NUMBER  
**C2.1**