

**SITE INFORMATION:**

PROPERTY AREA: LOT 1 AREA = 105,917 S.F. (2.43 ACRES).  
 LOT 2 AREA = 32,258 S.F. (0.74 ACRES).

EXISTING ZONING: C-3  
 PROPOSED ZONING: C-3  
 PROPOSED USE: HOTEL

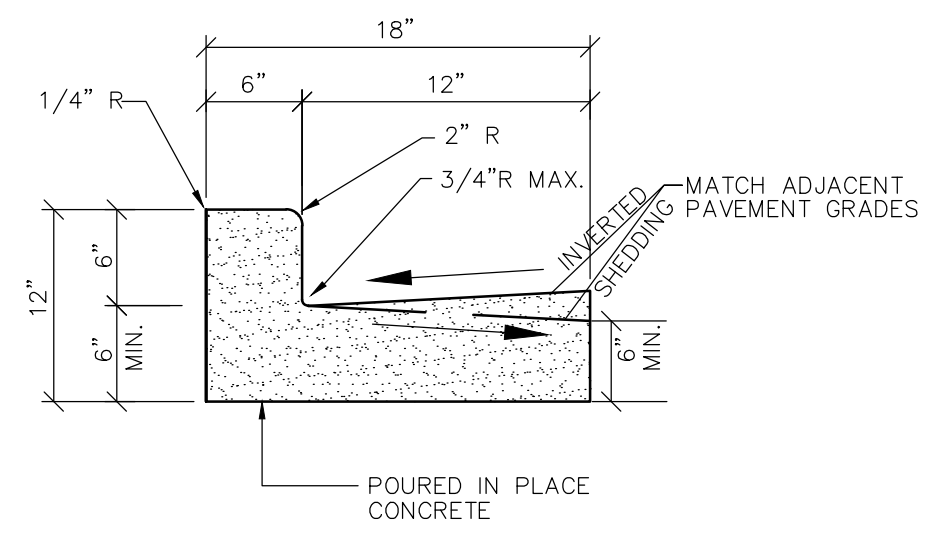
SETBACKS: BUILDING: FRONT = 0'  
 SIDE = 0'  
 REAR = 0'

PAVEMENT: FRONT = 5'  
 SIDE = 5'  
 REAR = 5'

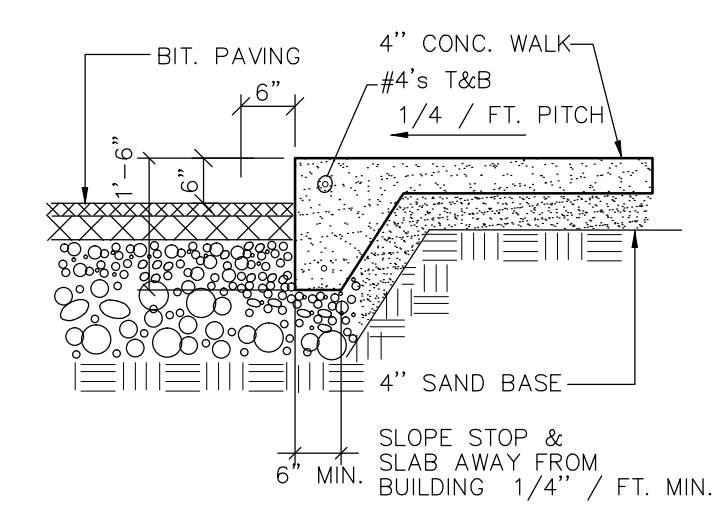
PROPOSED BUILDING HEIGHT 55' (MAX. HEIGHT 160')

PARKING REQUIRED: NONE PER REDEVELOPMENT

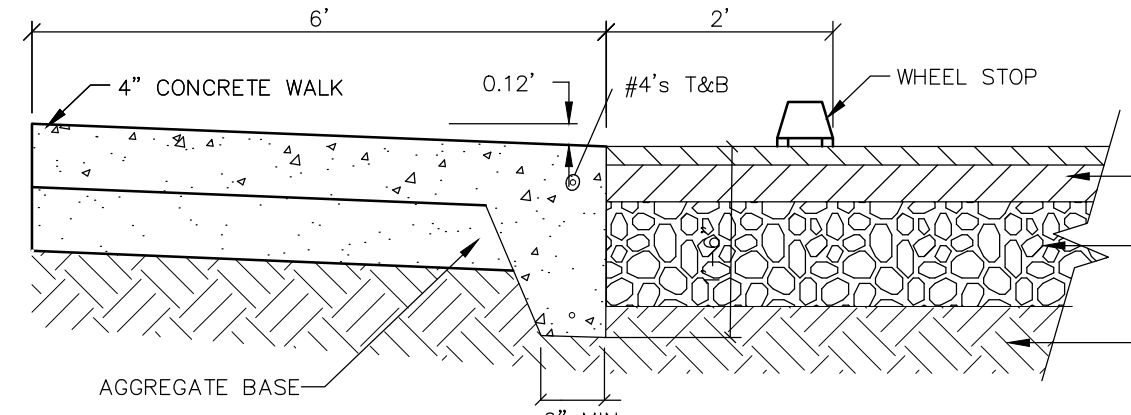
PARKING PROVIDED: 127 SPACES (5 H.C. ACCESSIBLE)  
 BIKE PARKING PROVIDED: 1/10 SPACES (13 REQUIRED/PROVIDED)  
 HANDICAP STALLS REQUIRED: 5, HANDICAP STALLS PROVIDED: 5  
 LANDSCAPE REQUIREMENTS: MIN. LANDSCAPE SURFACE RATIO: 15%  
 MIN. INTERIOR LANDSCAPING: 10%  
 PARKING LOT PORTION (MAX 75% OF LOT)



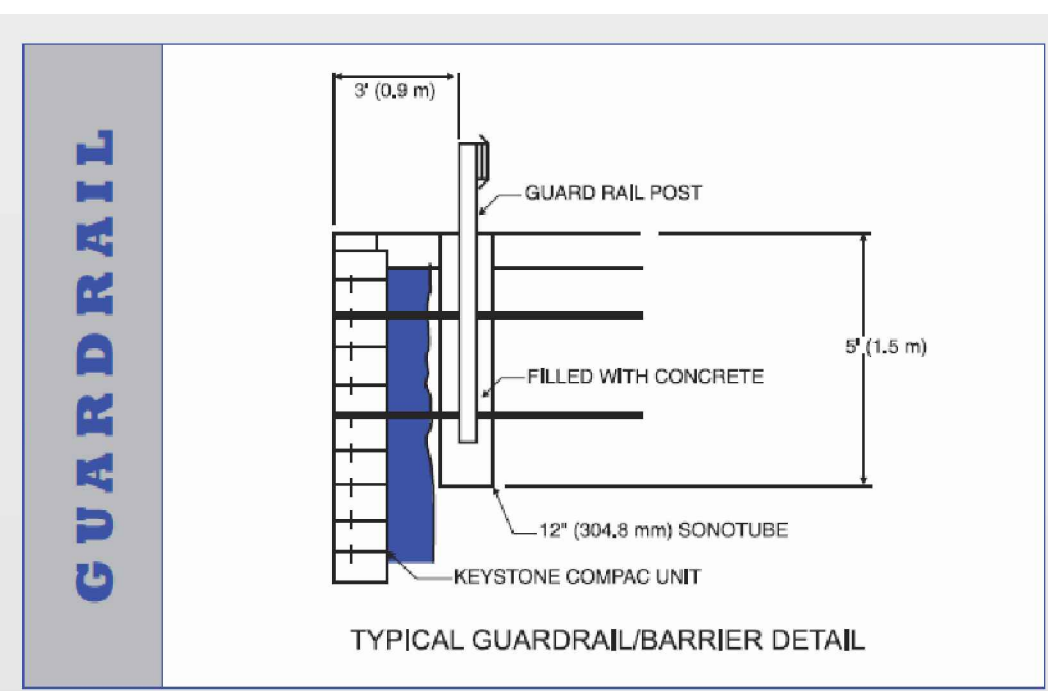
**18" CONCRETE CURB & GUTTER DETAIL**  
 NO SCALE



**RAISED WALK DETAIL**  
 NO SCALE



**PARKING/WALK DETAIL**  
 NO SCALE



**KEYSTEEL RETAINING WALL SYSTEM**

**EXISTING SITE DATA (LOT 1 & LOT 2)**

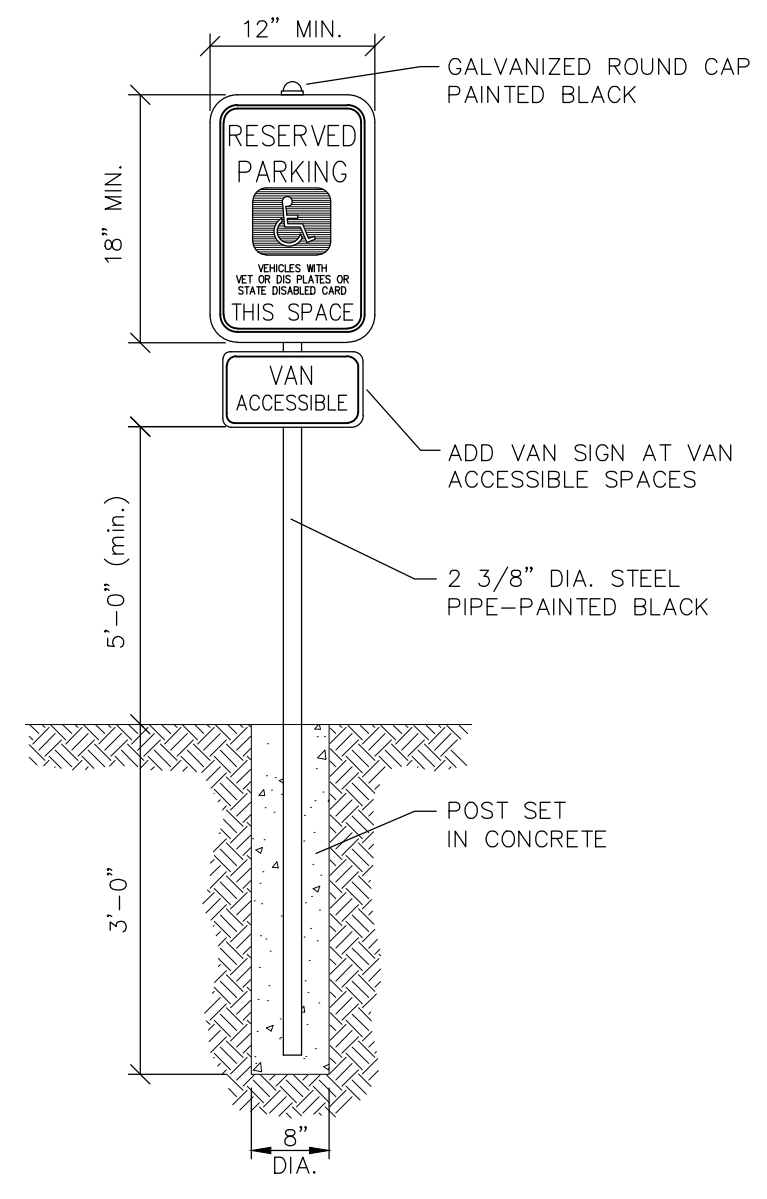
	AREA (AC)	AREA (SF)	RATIO
PROJECT SITE	3.17	210,509	75.4%
BUILDING FLOOR AREA	2.39	104,133	21.1%
PAVEMENT (ASP. & CONC.)	0.67	101,376	96.5%
TOTAL IMPERVIOUS	3.06	205,509	3.5%
LANDSCAPE/OPEN SPACE	0.11	5,000	

**PROPOSED SITE DATA (LOT 1)**

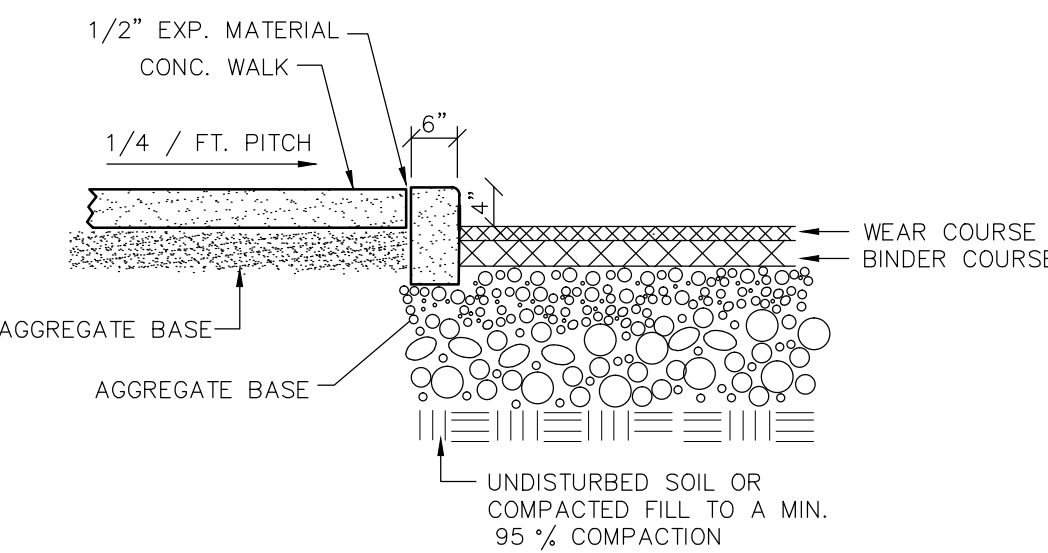
	AREA (AC)	AREA (SF)	RATIO
PROJECT SITE	2.43	105,917	17.0%
BUILDING FLOOR AREA	0.41	18,025	54.5%
PAVEMENT (ASP. & CONC.)	1.33	57,724	71.5%
TOTAL IMPERVIOUS	1.74	75,749	28.5%
LANDSCAPE/OPEN SPACE	0.69	30,168	

**LOT 2**

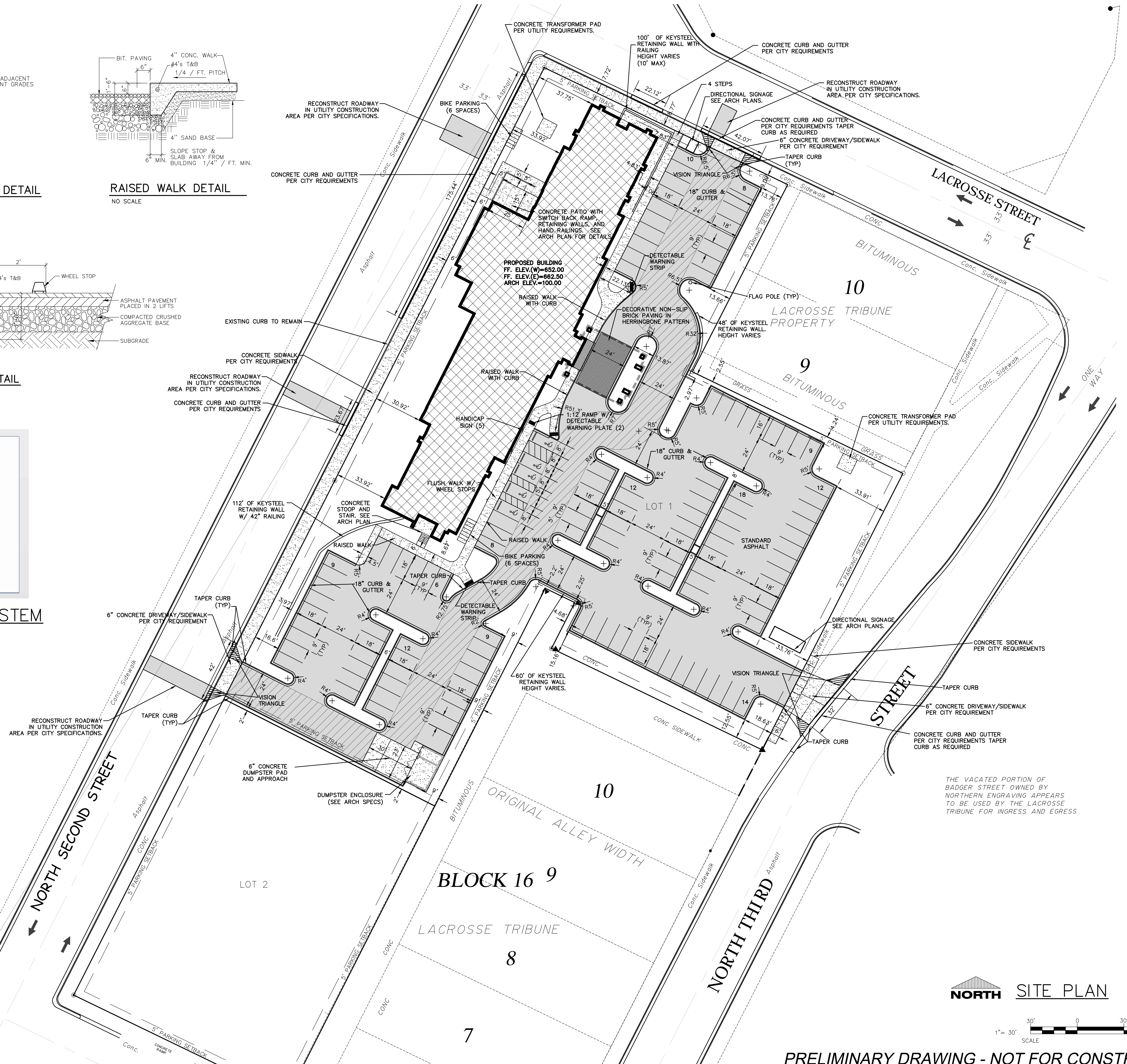
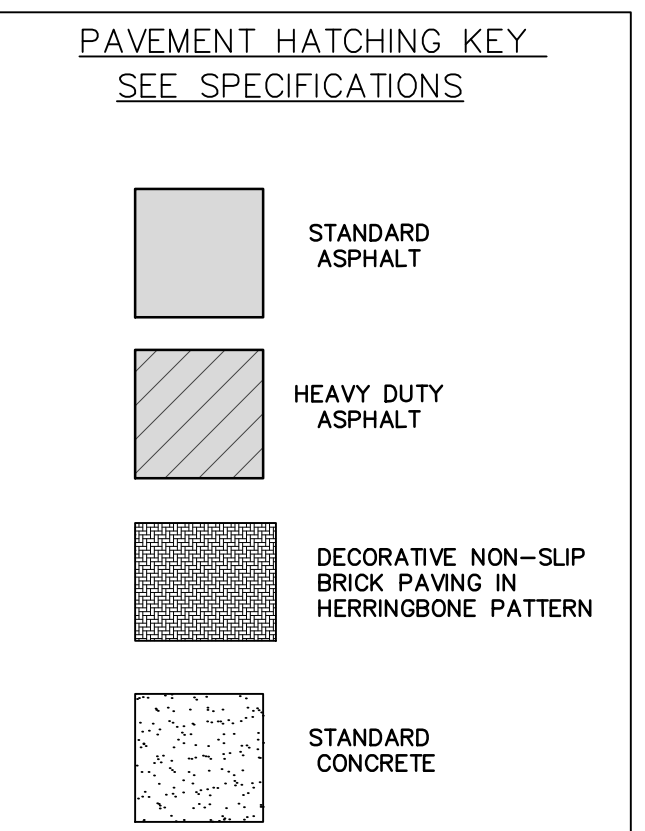
	AREA (AC)	AREA (SF)	RATIO
PROJECT SITE	0.74	32,258	100%
EXISTING IMPERVIOUS	0.74	32,258	0%
PROPOSED IMPERVIOUS	0	0	



**HANDICAP SIGNAGE DETAIL**  
 NO SCALE



**RAISED WALK W/ CURB**  
 NO SCALE



PRELIMINARY DRAWING - NOT FOR CONSTRUCTION

**OWNER:**  
 LA CROSSE HOTEL GROUP, LLC  
 115 E. MAIN STREET, SUITE 210  
 MADISON, WI 53703

**PROJECT:**  
 HAMPTON INN & SUITES  
 N. 3RD AND LA CROSSE ST.  
 LA CROSSE, WI

**PRELIMINARY SHEET DATES:**  
 MARCH 18, 2014  
 APRIL 4, 2014

**JOB NUMBER:**  
 1402940  
**SHEET**

**C1.2**