



## CITY OF LA CROSSE UTILITIES

### WATER - SEWER - STORM

400 La Crosse St  
La Crosse WI 54601-3396  
Phone (608) 789-7536  
[utilities@cityoflacrosse.org](mailto:utilities@cityoflacrosse.org)

**Bernard N Lenz, P.E.**  
Utilities Manager

**Tina Erickson**  
Utilities Accounting &  
Customer Support Supervisor

**Patti Martell**  
Utilities Clerk

**Michelle Coman**  
Utilities Clerk

**Cindy Zink**  
Utilities Clerk

In an effort to address recurring sewer system backups to residents in the 29<sup>th</sup> and Fairchild neighborhood during heavy rainfall events the City of La Crosse is offering a program to provide up to \$2,000 to cover the installation of a backwater prevention system.

To qualify a residence must be included in the identified effected area (attached list) or submit a request for consideration to be added to the program area.

Three written estimates must be submitted. The property owner should obtain three written price estimates from three different licensed plumbing contractors for the supply and installation of a sewer backwater valve with covered access box and two cleanouts, one on each side of the backwater valve (see the Backwater Valve Assembly Detail attached). Under certain circumstances, less than three estimates may be accepted by program staff. If you are submitting less than the required three estimates, you must obtain prior approval from the utilities office in order to receive reimbursement.

Completed Backflow Prevention Program Agreement must be submitted. Complete and return the Backflow Prevention Program Agreement Form (attached). Program eligibility will not be authorized until the completed form is received at the utilities office address listed above.

Notice to proceed. Once the estimates and signed agreement have been received by the utilities office and reviewed, a notice to proceed will be given. The notice serves as your guarantee that funding has been set aside specifically for the installation of a backwater valve at the property.

Once the notice to proceed is received by the property owner with the approved dollar amount, the property owner may hire the appropriate licensed plumbing contractor for the installation of the backwater valve.

Plumbing permit must be issued. A plumbing permit will be required at an additional cost. The cost will be added to the existing permit and will follow the same guidelines for final inspection. Contact the Building Division at 608-789-7530 at least one day in advance to schedule a final inspection.

The plumbing contractor is to bill the City of La Crosse Sewer Utility directly at the utilities office for payment. However any charges over the approved amount will be the responsibility of the property owner.

# BACKFLOW PREVENTION PROGRAM AGREEMENT

For and in consideration of the installation of backflow prevention devices, I do hereby, for myself, my heirs, executors, administrators and assignees, release and forever discharge the City of La Crosse, its elected officials, officers, agents, assignees, servants, employees, engineers and contractors from any and all claims, demands, actions, causes of action, suits, damages, losses and expenses of whatsoever kind or nature, for anything that may occur on account of the installation of or failure to maintain by the property owner, the backflow prevention device at \_\_\_\_\_, La Crosse Wisconsin.

It is further understood and agreed that any payment for the installation of the backflow prevention device is not to be considered as an admission on the part of the City of La Crosse or its agents of any liability whatsoever. I also agree that in order to receive payment for the approved installation fee, I must adhere to the guidelines set forth. I agree to provide the City building Inspector access to the property to inspect the installation, and understand that I must have the backflow prevention device installed according to building and plumbing codes. In addition, I acknowledge that I have read and understand the accompanying information. I also recognize that the installation of the device is for the purpose of assisting in the protection from sewer backup damage and does not represent nor does the City guarantee or will assume any liability whatsoever in the event backup occurs.

I now state that the only consideration for my signing this Agreement is the installation of a backflow prevention device as stated above; that no other promise or agreement of any kind or nature has been made with me by said City or its agents to cause me to sign this Agreement, and that I fully understand the meaning and intent of this instrument.

Signed and dated this \_\_\_\_\_ day of \_\_\_\_\_, 20 \_\_\_\_\_

\_\_\_\_\_  
Name of Property Owner (Print)

\_\_\_\_\_  
Property Owner Signature

\_\_\_\_\_  
Mailing Address

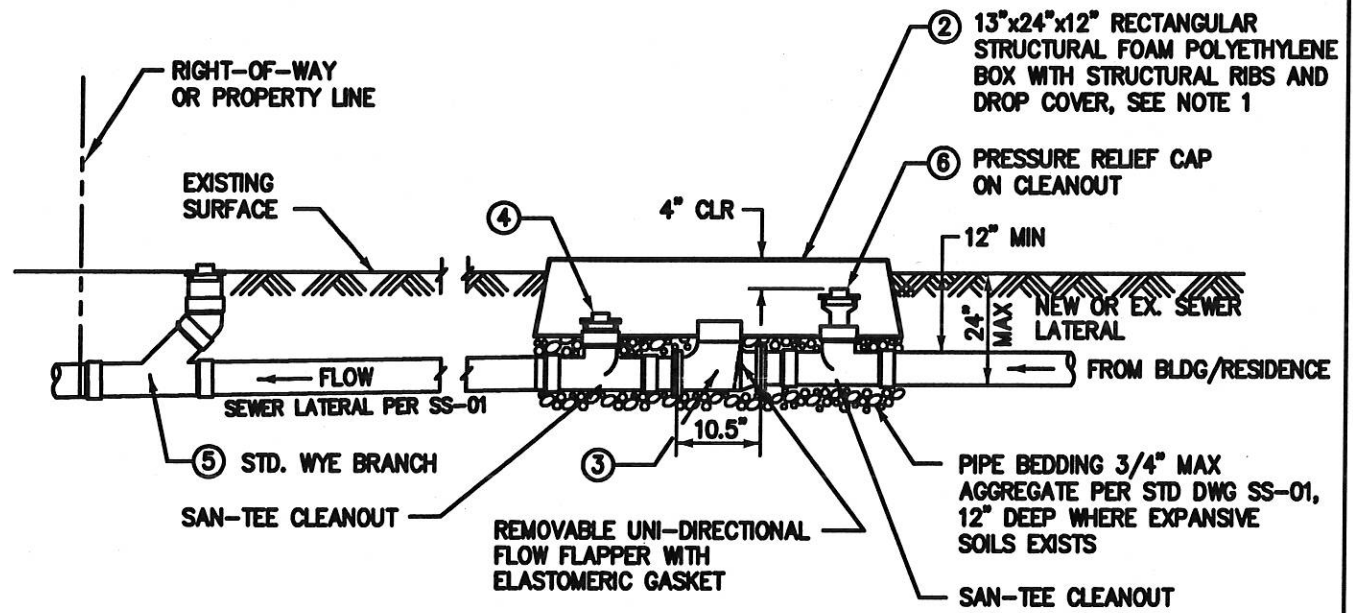
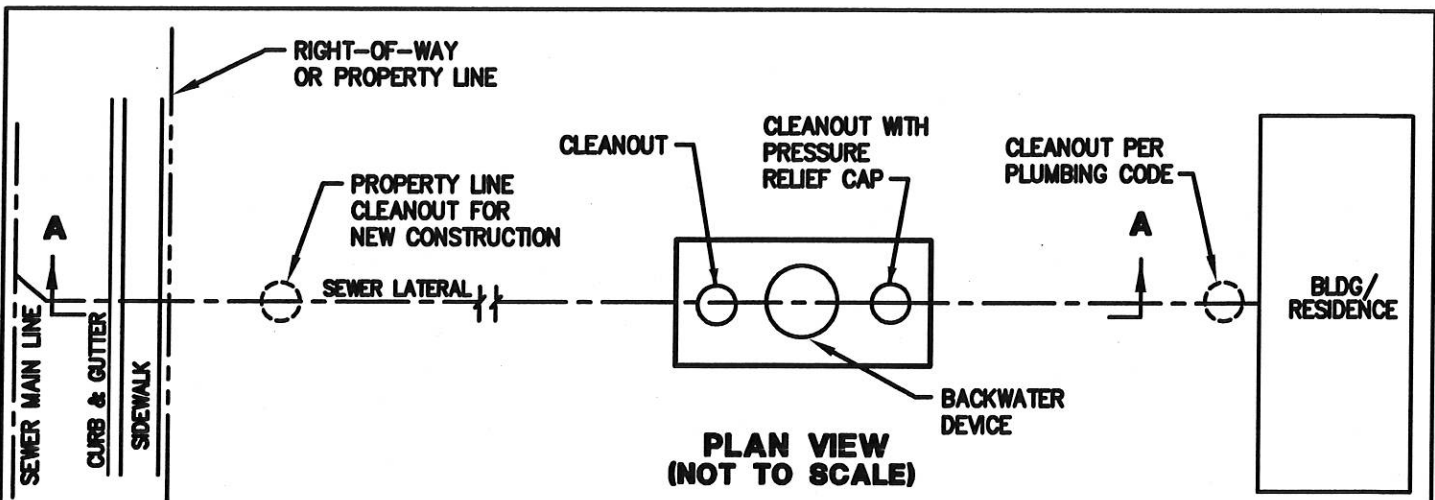
\_\_\_\_\_  
City, State, Zip

\_\_\_\_\_  
Phone

\_\_\_\_\_  
E-mail (optional)

\_\_\_\_\_  
Approved By

\_\_\_\_\_  
Date:



**SECTION A-A  
(NOT TO SCALE)**

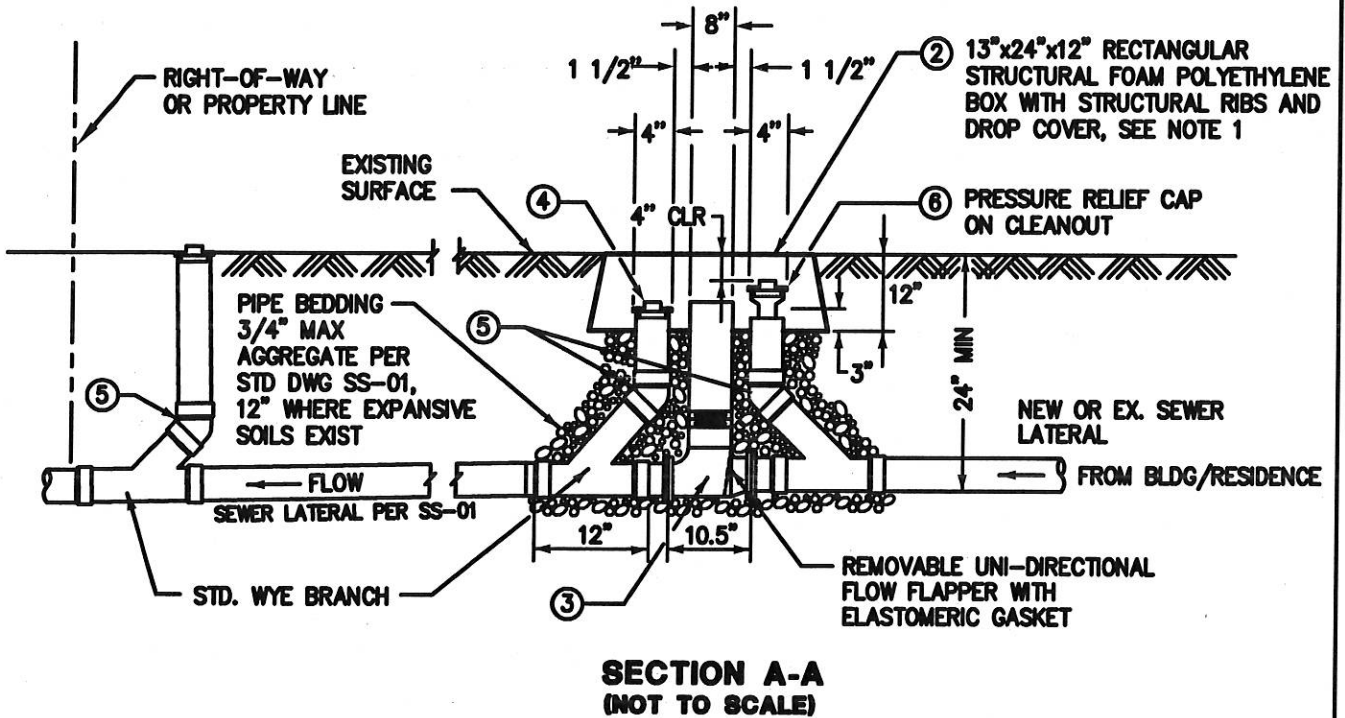
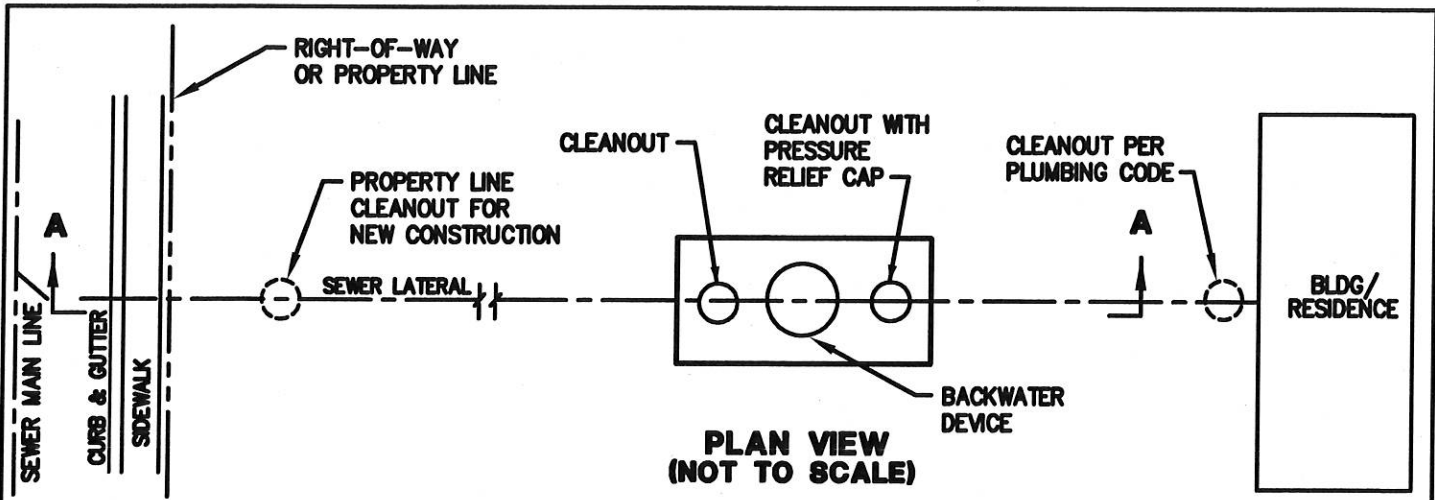
**NOTES:**

- ① WHEN BACKWATER DEVICE IS INSTALLED IN THE DRIVEWAY, ALLEY OR STREET, TRAFFIC RATED BOX AND LID IS REQUIRED.
- ② INSTALL VALVE BOX SO THAT IT IS FLUSH WITH EXISTING PAVEMENT OR SIDEWALK SURFACE AND 1" ABOVE GRADE WHEN INSTALLED IN LANDSCAPE AREA.
- ③ PVC BACKWATER DEVICE AND ATTACHED PARTS SHALL BE PER UNIFORM PLUMBING CODE (U.P.C.) AND APPROVED BY BLDG DEPT.
- ④ CLEANOUT PLUG (ABS) THREADED.
- ⑤ SAN-TEES ARE ALLOWED WHERE ID IS LESS THAN 24" DEEP.
- ⑥ CLEANOUT WITH AN APPROVED PRESSURE RELIEF CAP. CAP SHALL NOT PROJECT INTO THE SEWER LATERAL CROSS SECTIONAL AREA.
- ⑦ ALL PIPING SHALL BE PER U.P.C. 710.0: SCHEDULE 40 PVC OR ABS

Revision	By	Approved	Date

**4" BACKWATER DEVICE  
SHALLOW INSTALLATION  
(LESS THAN 24" DEEP)**

City Engineer \_\_\_\_\_ Date \_\_\_\_\_  
DRAWING NUMBER \_\_\_\_\_



**NOTES:**

- ① WHEN BACKWATER DEVICE IS INSTALLED IN THE DRIVEWAY, ALLEY OR STREET, TRAFFIC RATED BOX AND LID IS REQUIRED.
- ② INSTALL VALVE BOX SO THAT IT IS FLUSH WITH EXISTING PAVEMENT OR SIDEWALK SURFACE AND 1" ABOVE GRADE WHEN INSTALLED IN LANDSCAPE AREA.
- ③ PVC BACKWATER DEVICE AND ATTACHED PARTS SHALL BE PER UNIFORM PLUMBING CODE (U.P.C.) AND APPROVED BY BLDG DEPT.
- ④ CLEANOUT PLUG (ABS) THREADED.
- ⑤ STANDARD 45° BEND.
- ⑥ CLEANOUT WITH AN APPROVED PRESSURE RELIEF CAP.
- ⑦ ALL PIPING SHALL BE PER U.P.C. 710.0: SCHEDULE 40 PVC OR ABS

Revision	By	Approved	Date	<h2 style="margin: 0;">4" BACKWATER DEVICE (FOR LATERALS 2' OR DEEPER)</h2>	
				DRAWING NUMBER	

<b>Owner Name</b>	<b>Property Address</b>
KATHLEEN A KNUTSON DANIEL J SKILES	3027 FAIRCHILD ST E
ABBEY C SEDLMAYR	3019 FAIRCHILD ST E
GERARD S, CHRISTINE J LEPAK	2227 30TH ST S
JAMES, LUCINDA SCHNEIDER	2311 29TH CT S
ALAN H TAUSCHER BETTY A HAYDEN-TAUSCHER	2317 29TH CT S
SARA M ERICKSON	2323 29TH CT S
TIMOTHY R, PATRICIA M BANEGAS	2803 FAIRCHILD ST W
CATHERINE E WOOTEN	2822 FAIRCHILD ST W
RICHARD, MARY WATESKI	2808 FAIRCHILD ST W
KELLY M DOERING DANIEL W ROWLEY	2305 29TH CT S
ROBERT W, DIANE M SKIFTON	2316 29TH CT S
RONALD, CHARLOTTE PHELPS TRUST	2310 29TH CT S
JAMES A, SUSAN C HERMES	2302 29TH CT S
REBECCA J LICHTIE JACOB P KRAMER	2803 FAIRCHILD ST E
KAREN M PRICE	2809 FAIRCHILD ST E
DIANE L SCHEITZACH DANIEL P BECKER	2903 FAIRCHILD ST E
MATTHEW M, ALYSON M GLENZ	3002 FAIRCHILD ST E
ERICA L CARTER	2936 FAIRCHILD ST E
LEAH R BRAUNSCHWEIG	2914 FAIRCHILD ST E
FAIRCHILD OF LACROSSE LLC	2322 30TH CT S
FAIRCHILD OF LACROSSE LLC	2324 30TH CT S
PROPERTY LOGIC LLC	2908 FAIRCHILD ST E
ROBERT A, CLAUDIA L DEVENS	3006 FAIRCHILD ST E
MARIA DEL CARMEN LAOS ESPINOZA	2226 30TH ST S
GOEHNER INVESTMENTS LLC	2917 FAIRCHILD ST E
JOHN M EISNER	2915 FAIRCHILD ST E
CHERYL A BORNITZ JOHN T KIRKEENG, SUSAN M HUPPERT, KAREN B GEIWITZ (LE) DORIS M KIRKEENG	2909 FAIRCHILD ST E
FAIRCHILD OF LACROSSE LLC	2924 FAIRCHILD ST E
FAIRCHILD OF LACROSSE LLC	2926 FAIRCHILD ST E
KATHLEEN J WALSH-BOWN	2311 30TH CT S
KATHLEEN J WALSH-BOWN	2313 30TH CT S
HELEN ZOELLNER KELLY	2321 30TH CT S
HELEN ZOELLNER KELLY	2323 30TH CT S
P & M SKEMP TRUST	2325 30TH CT S
P & M SKEMP TRUST	2327 30TH CT S