



KRAUS-ANDERSON®
Construction Company

Change Order Request

Project: 1923025-02
La Crosse Center Expansion & Renovation
400 La Crosse Street
La Crosse, WI 54601

COR # 193.00

Date: 3/31/2021

To: Owner City of La Crosse
400 La Crosse Street
La Crosse, WI 54601

From: Kraus-Anderson Construction Company
151 East Wilson Street, Suite 100
Madison, WI 53703

PCO # 296 - Shade Structure Power

Item #	Description	Vendor	Amount
1	Shade Structure Power	Kish & Sons Electric, Inc.	\$1,594.83
Total For Change Order			\$1,594.83

Approved By: City of La Crosse

Signed: _____

Date: _____

Submitted By: Kraus-Anderson Construction Company

Signed: DocuSigned by:
Peter Linsmeier

6867371012384A6...
DocuSigned by:

Date: 4/5/2021 | 9:37 AM CDT

Accepted By: I & S Group, Inc.

Signed: *Kevin Bills*

B2D92ADEC16949C...

Date: 4/15/2021 | 6:24 AM CDT



Request for Change

WKT170 - LX CENTER REMODEL BP3

RFC Number: 27

Date: 03/24/2021

2135 Enterprise Avenue
2135 Enterprise Avenue
La Crosse, WI 54603-1754

Regarding:

SHADE STRUCTURE POWER.

To:

KRAUS ANDERSON
151 EAST WILSON STREET
SUITE 100
MADISON, WI 53703

Job Site:

LX CENTER REMODEL BP3
LA CROSSE CENTER
300 HARBORVIEW PLAZA
LA CROSSE, WI 54601

Requested By:	Phone:	E-mail:
KYLE L THESING	(608) 785-0207	kthesing@kischelectric.com

Recipients:	Phone:	E-mail:
BRENDA OELKE	(608) 838-5479	BRENDA.OELKE@KRAUSANDERSO N.COM

Requested Change:	Change to Contract
SHADE STRUCTURE POWER.	\$ 1594.83

RFC Total

\$ 1594.83

Please respond by: 03/24/2021

KYLE L THESING
Kish & Sons Electric, Inc.

BRENDA OELKE
KRAUS ANDERSON



Quotation

3120 BERLIN DR
LA CROSSE, WI 54601-1845
608-790-9950 Fax 608-790-9951

QUOTE DATE	QUOTE NUMBER	
03/23/21	S010463751	
ORDER TO:		PAGE NO.
(26) WERNER ELECTRIC 3120 BERLIN DR LA CROSSE, WI 54601-1845 608-790-9950 Fax 608-790-9951		1

QUOTE TO:
KISH & SONS ELECTRIC
2135 ENTERPRISE AVE
LA CROSSE, WI 54603-1754

SHIP TO:
KISH & SONS ELECTRIC
2135 ENTERPRISE AVE
LA CROSSE, WI 54603-1754

CUSTOMER NUMBER	CUSTOMER ORDER NUMBER	ORDERED BY	SALESPERSON	PRICE BR	SHIP BR
35660			JANDERSON	2642	20
WRITER	SHIP VIA	TERMS	BID EXP DATE	FREIGHT ALLOWED	
Ken Linder LACR	26CI	1% 10TH PROX NET 30 PROX	See Below	Yes	
ORDER QTY	DESCRIPTION	UNIT PRICE	EXTENSION		
1ea	A-B 800T-J38A SWITCH SELECTOR ****10-14 DAY LEAD TIME	212.075e	212.08		
1ea	LEV 1221-2KL CHROME SW KEY LOCK SP 20A120/277VAC	14586.801c	145.87		

Wire, conduit, and fluorescent lamp prices in effect at time of shipment. Other items valid 30 days and based on qtys supplied, unless tariff impacts to pricing is in effect at time of shipment. All items subject to approval by specifying party. Nonstock items are subject to restocking charges based on manufacturer's terms and conditions. Freight charges not included. This quote is subject to tax at time of shipment and will be included on your invoice. For complete terms and conditions as well as EEO Compliance regulations please go to : <https://www.wernermn.com/terms>

Subtotal	\$357.95
SS&H CHGS	\$0.00
Tax	To be Determined
Amount Due	\$357.95



UPC Code: 07847736198

Country Of Origin: Mexico

1221-2KL

20 Amp, 120/277 Volt, Key Locking Single-Pole AC Quiet Switch, Extra Heavy Duty Spec Grade, Self Grounding, Back & Side Wired

Levitons Extra Heavy-Duty AC Key Locking Switches are the perfect choice for public use areas in schools/universities and pediatric facilities. Operable only with the mating key, it prevents unauthorized personnel from turning the switch ON or OFF.

Technical Information

AC Horsepower Ratings

HP Rating: 1HP-120V 2HP-240V-277V

Max. Amperage: 16 Amp

Electrical Specifications

Amperage: 20 A

Voltage: 120/277 VAC

Grounding: Self-Grounding

Dielectric Voltage: Withstands 1500V for 1 minute

Overload UL20 Test: 100 cycles of OL at 4.8 times rated current

Temperature Rise: Maximum 30 degrees C rise

Endurance: 50,000 cycles minimum

Environmental Specifications

Flammability: Rated V-2 per UL 94

Operating Temperature: -40°C to 65°C

Material Specifications

Strap Material: Steel

Body Material: Thermoplastic

Mechanical Specifications

Termination: Back or Side Wire

Terminal ID: Brass-Hot Black-Hot White-Neutral Green-Gnd

Terminal Accom.: 14-#10 AWG back wired; #14-#12 AWG side wired

Product ID: Ratings are permanently marked on device

Torque Range: 12-14 inch pounds

Product Features

Grounding: Self-Grounding

HP Rating: 1HP-120V 2HP-240V-277V

Strap Material: Steel

Grade: Extra Heavy-Duty Industrial Specification Grade

Device Type: Key Lock Barrel Switch

Function: Single-Pole

Standards and Certifications

NEMA: WD-1 & WD-6

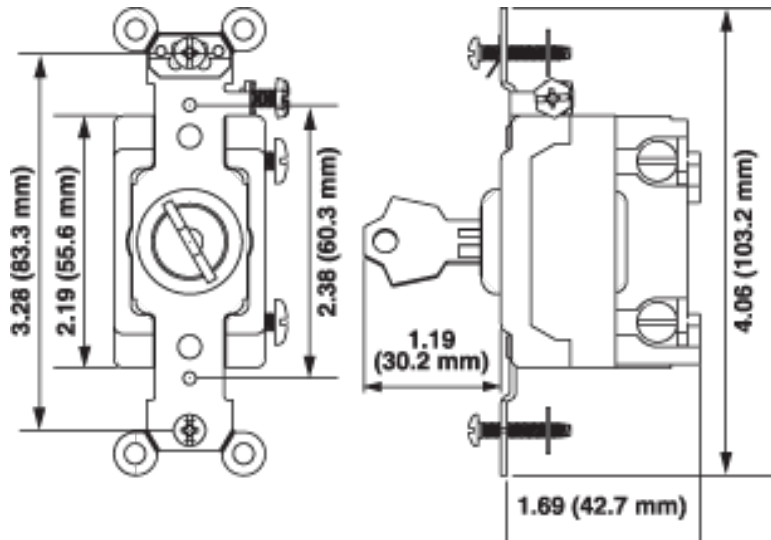
ANSI: C-73

UL Standard: UL 20

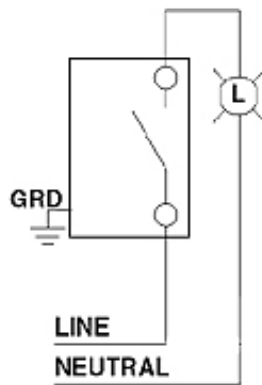
CSA C22.2 No. 111: File #152105

NOM: 057

Warranty: 10 Year Limited



**Wiring Diagram
Single Pole**



SPECIFICATION SUBMITTAL

JOB NAME: <input type="text"/>	CATALOG NUMBERS: <input type="text"/>	
JOB NUMBER: <input type="text"/>	<input type="text"/>	<input type="text"/>

Leviton Manufacturing Co., Inc.

201 North Service Road, Melville, NY 11747

Telephone: +1-800-323-8920 · FAX: +1-800-832-9538 · Tech Line (8:30AM-7:30PM E.S.T. Monday-Friday):

+1-800-824-3005

Leviton Manufacturing of Canada, Ltd.

165 Hymus Boulevard, Pointe Claire, Quebec H9R 1E9 · Telephone: +1-800-469-7890 ·

FAX: +1-800-824-3005 · www.leviton.com/canada

Leviton S. de R.L. de C.V.

Lago Tana 43, Mexico DF, Mexico CP 11290 · Tel.: (+52)55-5082-1040 · FAX: (+52)5386-

1797 · www.leviton.com.mx

Visit our Website at: www.leviton.com

© 2018 Leviton Manufacturing Co., Inc. All Rights Reserved. Subject to change without notice.

Leviton has a global presence.

If you would like to know where your local Leviton office is located please go to:

www.leviton.com/international/contacts/

