



Xcel Energy's underground line replacement project in Riverside Park

Presented to the City of La Crosse Parks Board -- April 18, 2019

General Description

This document is an overview of Xcel Energy's plan to replace aging direct buried underground electric transmission line (wire), located in La Crosse's Riverside Park, with construction beginning in September of 2019.

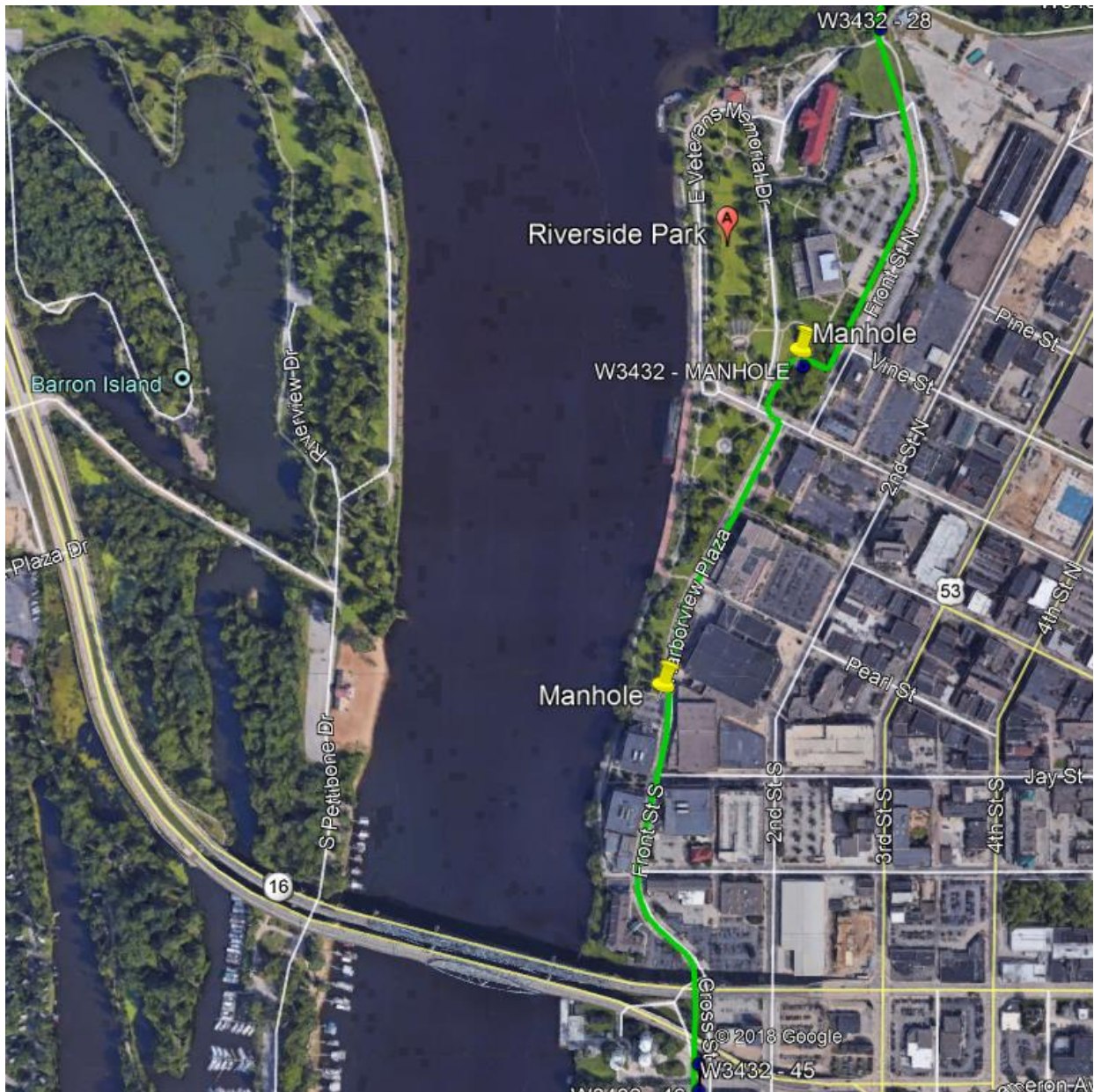
Location

Xcel Energy has a 69,000 volt transmission line (#3432) that runs from the La Crosse Substation (located on West Ave near Menards) to the Swift Creek substation (located on the north side of Gundersen Lutheran Hospital) and ends at the Coulee Substation (located near the intersection of Losey Boulevard and Ward Ave).

Between the south side of the La Crosse River to just south of the Cass Street Bridge, this transmission line runs underground. The underground portion was installed in three different segments:

- The center segment was installed in the park in 1974 and was direct buried.
- The north segment, from the park to the La Crosse River, was installed in 1996 in a manhole and duct system. This work was done for the development north of the park.
- The south segment was installed in 2002 and is also in a manhole and duct system. It was buried in coordination with the construction of the Cameron Street Bridge.

The location of the transmission line, which generally runs along the west side of Front St, is approximately shown by the green line below. **We intend to replace the center section which is shown between the yellow pin markers.**



Schedule

Construction on the center segment is planned to begin the first week in September with the installation of a portion of the duct bank. Construction will cease for one to two weeks for Oktoberfest. During this time there will not be any open holes or equipment stored on site.

After Oktoberfest, installation of the duct bank will continue until completed the third week in October. Pulling the new cables between the manholes will follow, with a scheduled completion date of November 5th. The final splicing is scheduled to take place November 6th through the 12th.

Condition Assessment

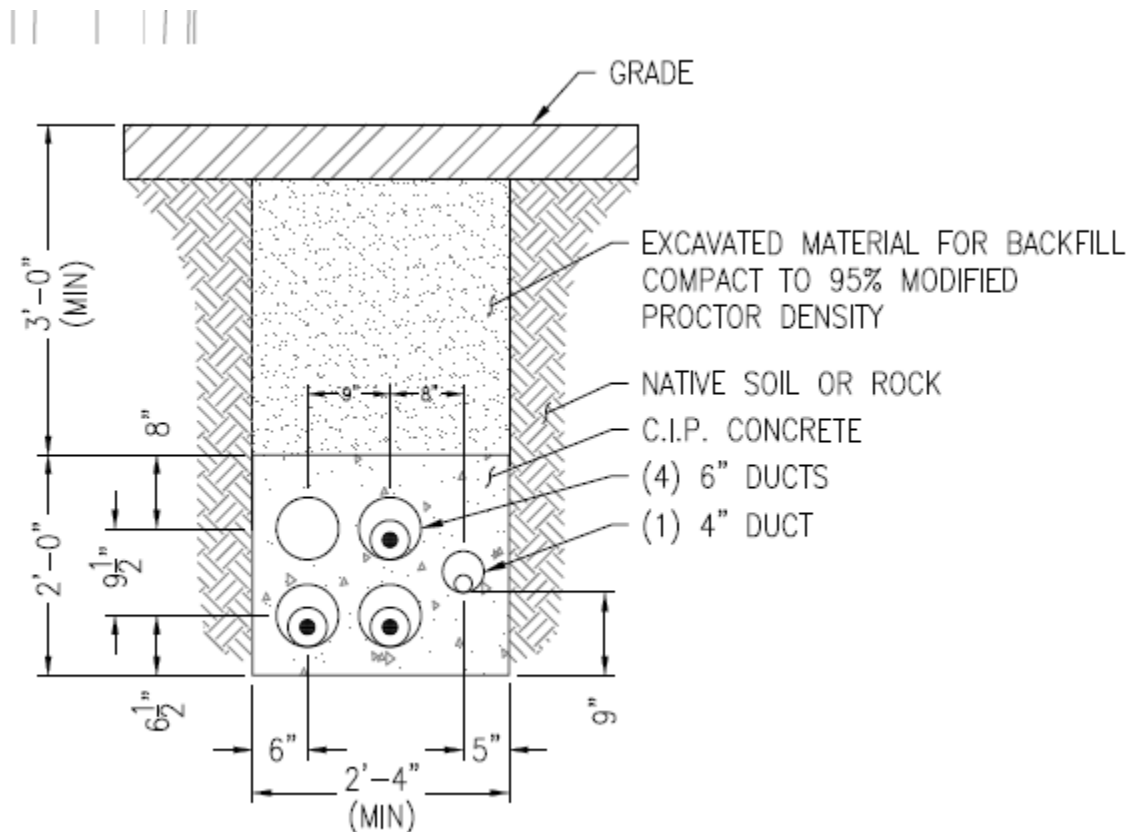
The 1974 vintage cable in the park is over 40 years old and has reached the end of its design lifespan. Replacing this underground transmission line is critical to maintaining electric reliability for residents, businesses and medical facilities in La Crosse.

Construction

The replacement of the direct buried section of transmission line will be with cables installed in a concrete encased duct bank. The trench for the duct will start at the manhole just north of the State St entrance to the park. It will then continue south 1,600 feet in the park to the manhole located in northwest corner of the Waterfront restaurant parking lot.

Xcel Energy has a 10-foot wide easement for the line in this area, and the new duct bank will be located within that easement corridor and to the west of Front Street.

The typical trench for the duct bank will be 5 feet deep and 5 feet wide. The duct bank itself is 2 feet tall and 2 feet 4 inches wide. There will be 3 feet of cover over the new duct bank. The drawing below gives a visual of these dimensions.



After the duct bank is installed, a trailer with the new reels of 69kV underground cable will be placed at one of the manholes and a winch truck will be placed at the manhole at the other end of the park. The cables are then pulled into the new ducts, leaving cable ends long enough to splice in each manhole. A specialized crew will then splice the new cable into the existing cable going to the north and south. The new transmission line will be tested and placed back into service. Restoration will be a continual process following construction as it progresses.