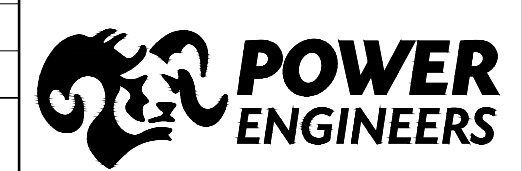


THIS DRAWING WAS PREPARED BY POWER ENGINEERS, INC. FOR A SPECIFIC PROJECT, TAKING INTO CONSIDERATION THE SPECIFIC AND UNIQUE REQUIREMENTS OF THE PROJECT. REUSE OF THIS DRAWING OR ANY INFORMATION CONTAINED IN THIS DRAWING FOR ANY PURPOSE IS PROHIBITED UNLESS WRITTEN PERMISSION FROM BOTH POWER AND POWER'S CLIENT IS GRANTED.

REV	REVISIONS	DATE	DRN	DSGN	CKD	APPD	REFERENCE DRAWINGS
C	ISSUED FOR REVIEW	01-02-19	BWF	KMM	CJS		
B	ISSUED FOR REVIEW	11-09-18	DSH	KMM	CJS		
A	ISSUED FOR REVIEW	8-30-18	JRO	KMM	CJS		

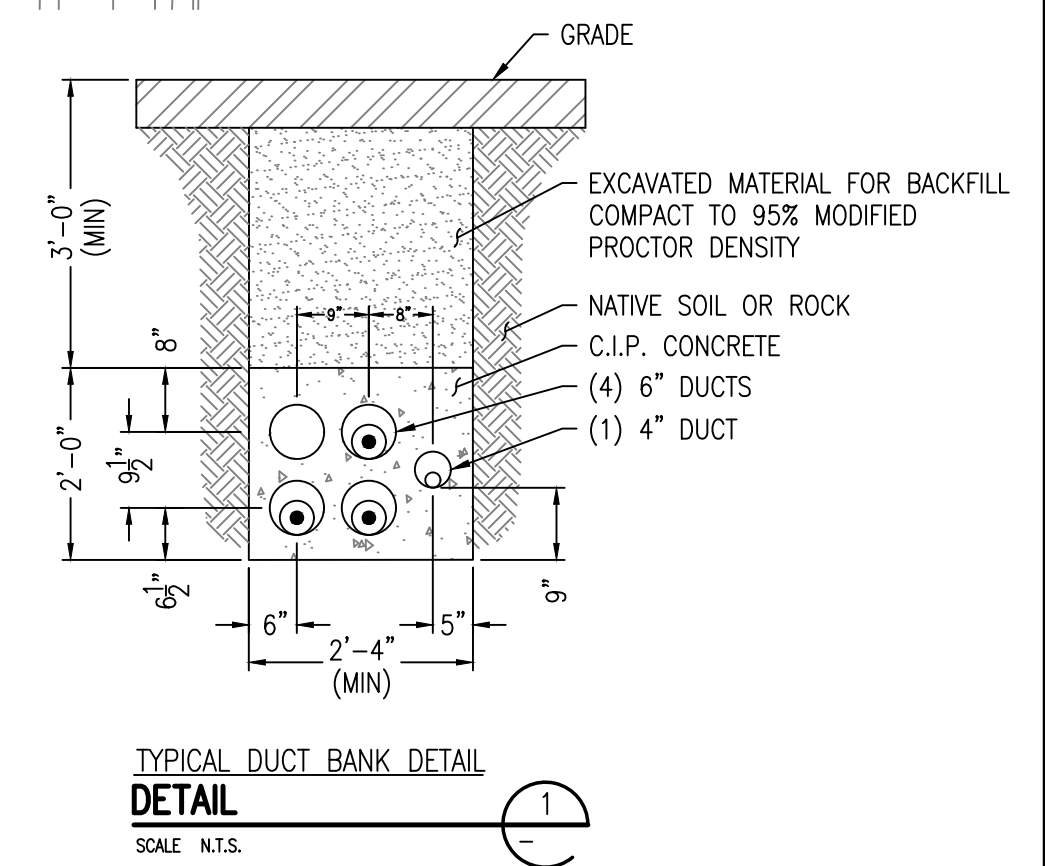
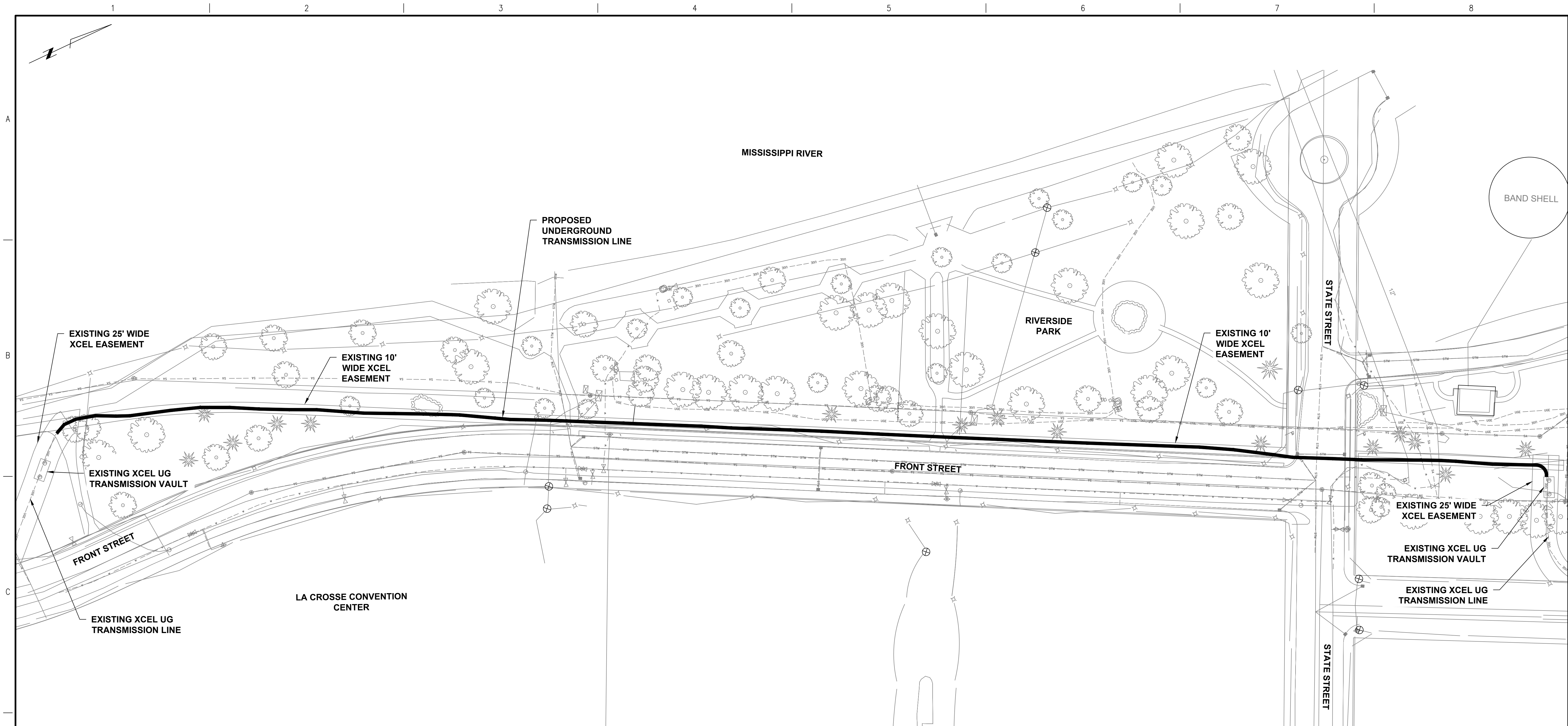
DSGN	KMM	8-24-18
DRN	JRO	8-24-18
CKD	CJS	8-24-18
SCALE:	NTS	
FOR 22x34 DWG ONLY		



XCEL ENERGY	
LA CROSSE LINE W3432 UNDERGROUND TRANSMISSION LINE	
AERIAL PLAN VIEW	

JOB NUMBER	REV
151599	△
DRAWING NUMBER	
P2-1	

151599_P2-1 Aerial Plan View.dwg

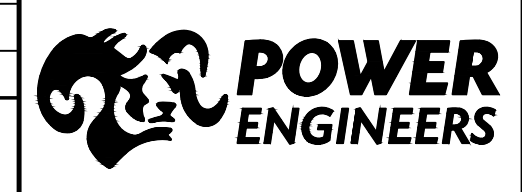


151599_P2-1 Aerial Plan View.dwg

THIS DRAWING WAS PREPARED BY POWER ENGINEERS, INC. FOR A SPECIFIC PROJECT, TAKING INTO CONSIDERATION THE SPECIFIC AND UNIQUE REQUIREMENTS OF THE PROJECT. REUSE OF THIS DRAWING OR ANY INFORMATION CONTAINED IN THIS DRAWING FOR ANY PURPOSE IS PROHIBITED UNLESS WRITTEN PERMISSION FROM BOTH POWER AND POWER'S CLIENT IS GRANTED.

REV	REVISIONS	DATE	DRN	DSGN	CKD	APPD	REFERENCE DRAWINGS
C	ISSUED FOR REVIEW	01-02-19	BWF	KMM	CJS		
B	ISSUED FOR REVIEW	11-09-18	DSH	KMM	CJS		
A	ISSUED FOR REVIEW	8-30-18	JRO	KMM	CJS		

DSGN	KMM	8-24-18
DRN	JRO	8-24-18
CKD	CJS	8-24-18
SCALE:	NTS	
FOR 22x34 DWG ONLY		



XCEL ENERGY	
LA CROSSE LINE W3432 UNDERGROUND TRANSMISSION LINE	
PLAN VIEW	

JOB NUMBER	REV
151599	△
DRAWING NUMBER	
P2-1	