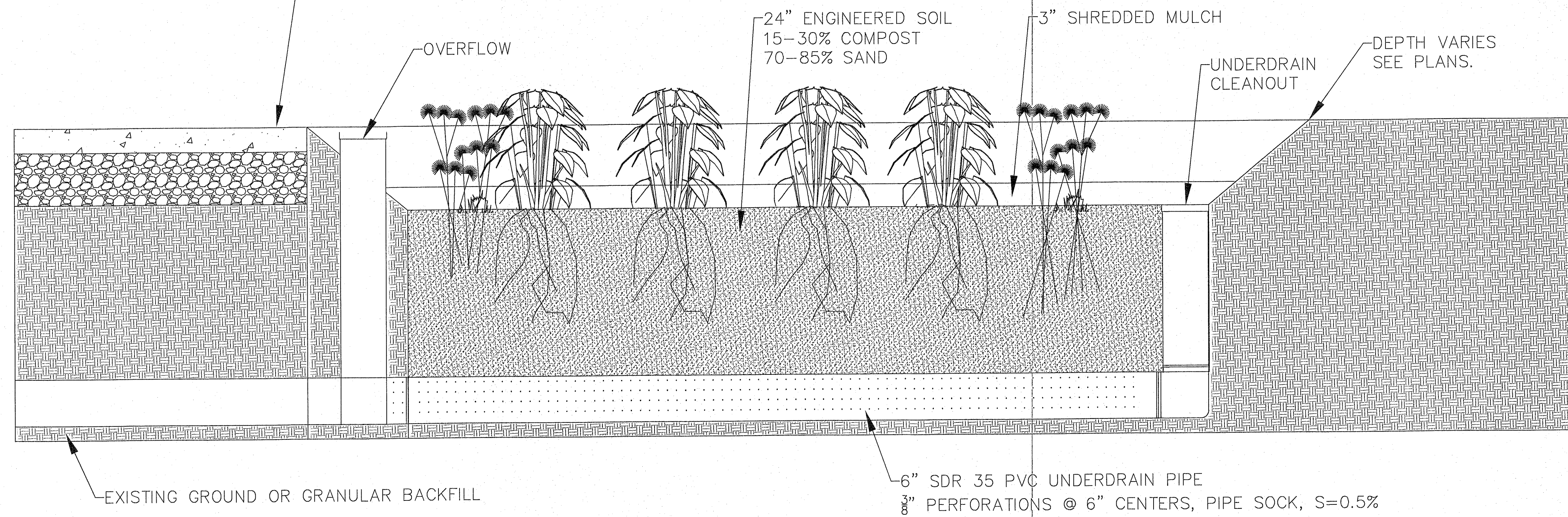


# BIOFILTER

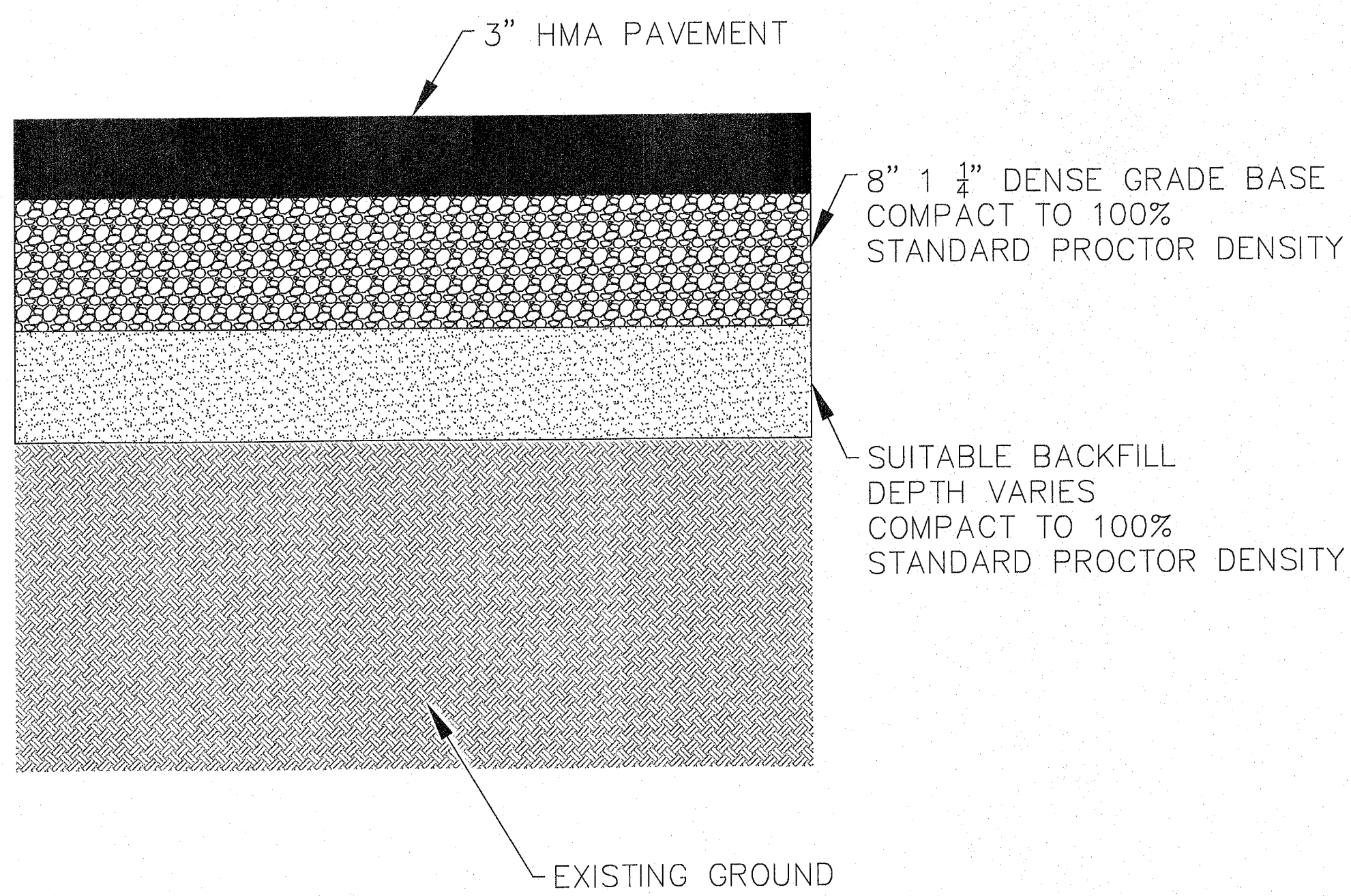
CONCEPTUAL DRAWING ONLY.  
SHOWN OUT OF PROJECTION.

ADJACENT MATERIALS, SLOPE, & ELEVATION VARIES. SEE SITE PLAN.

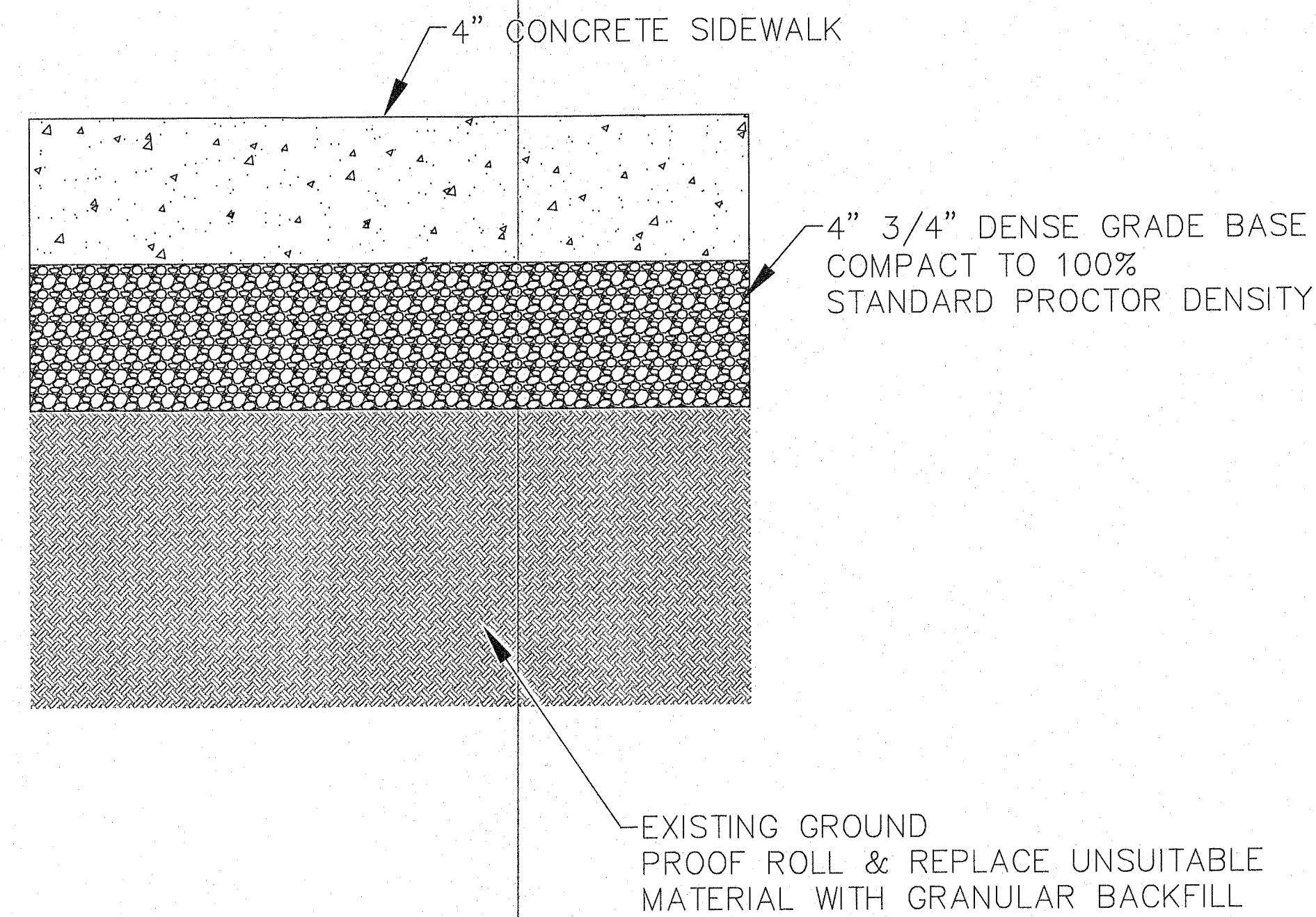


- CONSTRUCT BIOFILTER IN ACCORDANCE WITH WDNR TECHNICAL STANDARD 1004
- PROVIDED AS CONCEPT ONLY. ACTUAL INSTALLATION DETAILS FOR ADJACENT MATERIALS VARY AND ARE SHOWN ON THE SITE PLAN.
  - PLANT WITH NATIVE DECORATIVE GRASSES AND PLANTS.
  - PLUGS SHALL BE PLACED 1' ON CENTER.
  - PLANT SELECTION SHALL BE BASED ON ENGINEERED SOIL COMPOSITION AS WELL AS NATIVE SOIL CONDITIONS BENEATH THE ENGINEERED SOIL LAYER.
  - SELECTED PLANTS SHALL BE DEEP ROOTED.
  - SELECTED PLANTS SHALL BE APPROVED BY OWNER PRIOR TO PLANTING.

## ASPHALT SECTION DETAIL



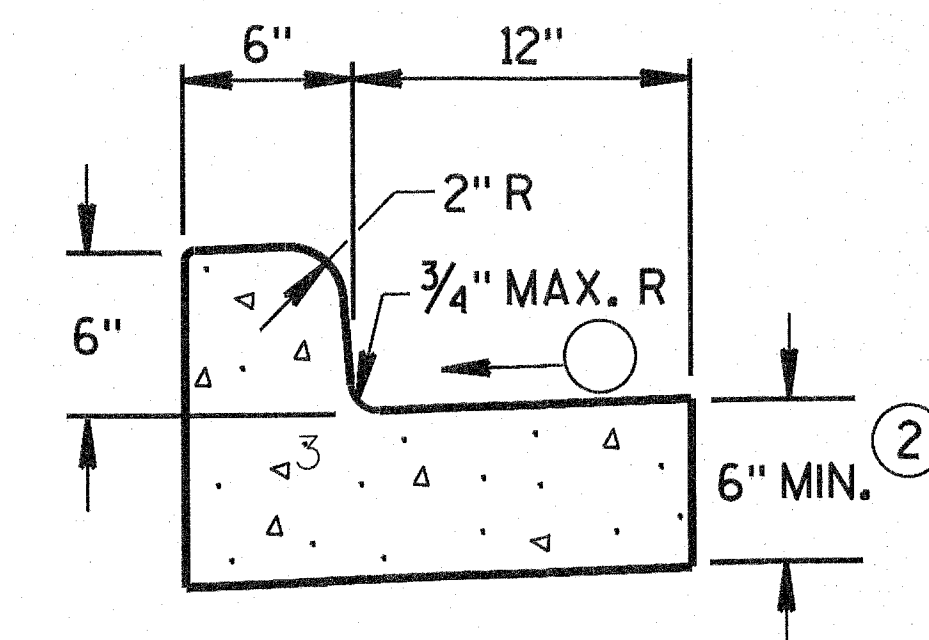
## SIDEWALK SECTION DETAIL



## 18" CURB & GUTTER DETAIL

NOTES

1. TIE BARS ARE REQUIRED FOR CURB AND GUTTER TYPES A, G, K, R, AND TBTT.
2. THE BOTTOM OF CURB AND GUTTER MAY BE CONSTRUCTED EITHER LEVEL OR PARALLEL TO THE SLOPE OF THE SUBGRADE OR BASE AGGREGATE PROVIDED A 6" MINIMUM GUTTER THICKNESS IS MAINTAINED.
3. USE 4% GUTTER CROSS SLOPE UNLESS OTHERWISE NOTED IN THE PLANS.



TYPES A<sup>①</sup> & D

DATE	REVISION	DESCR.