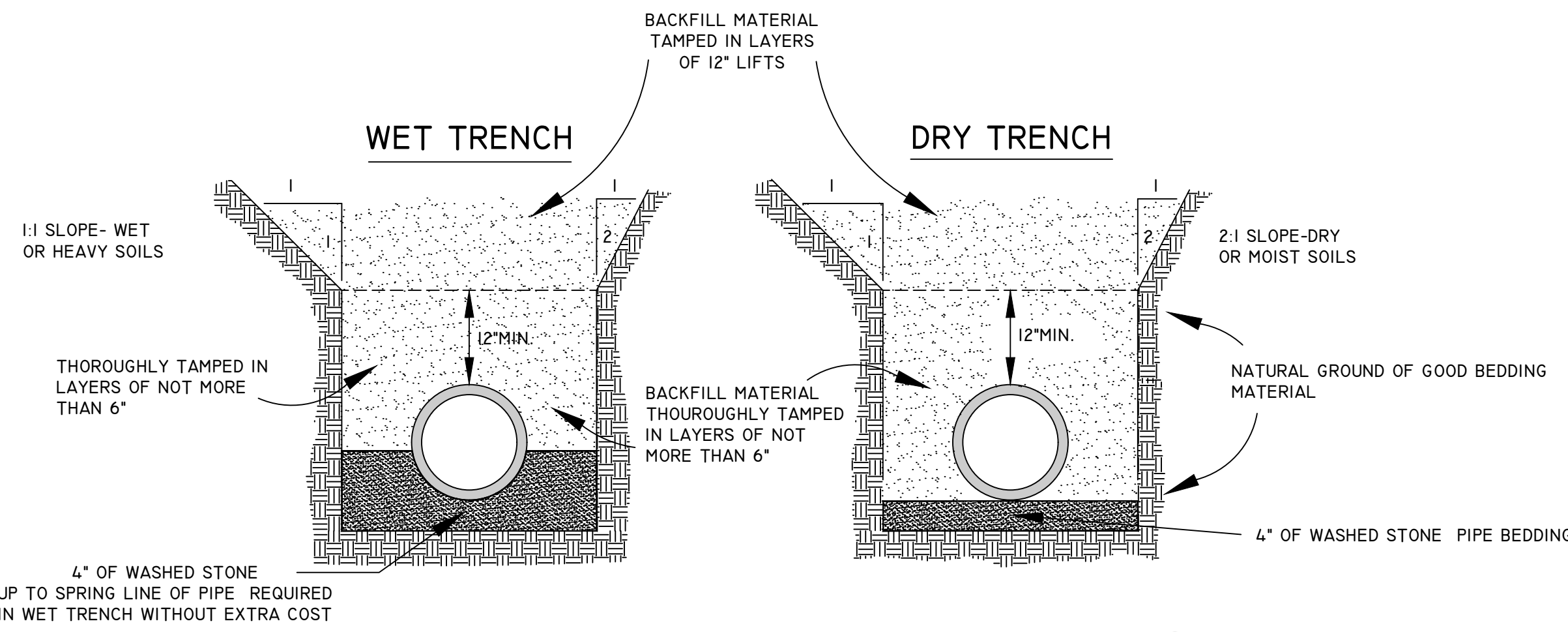


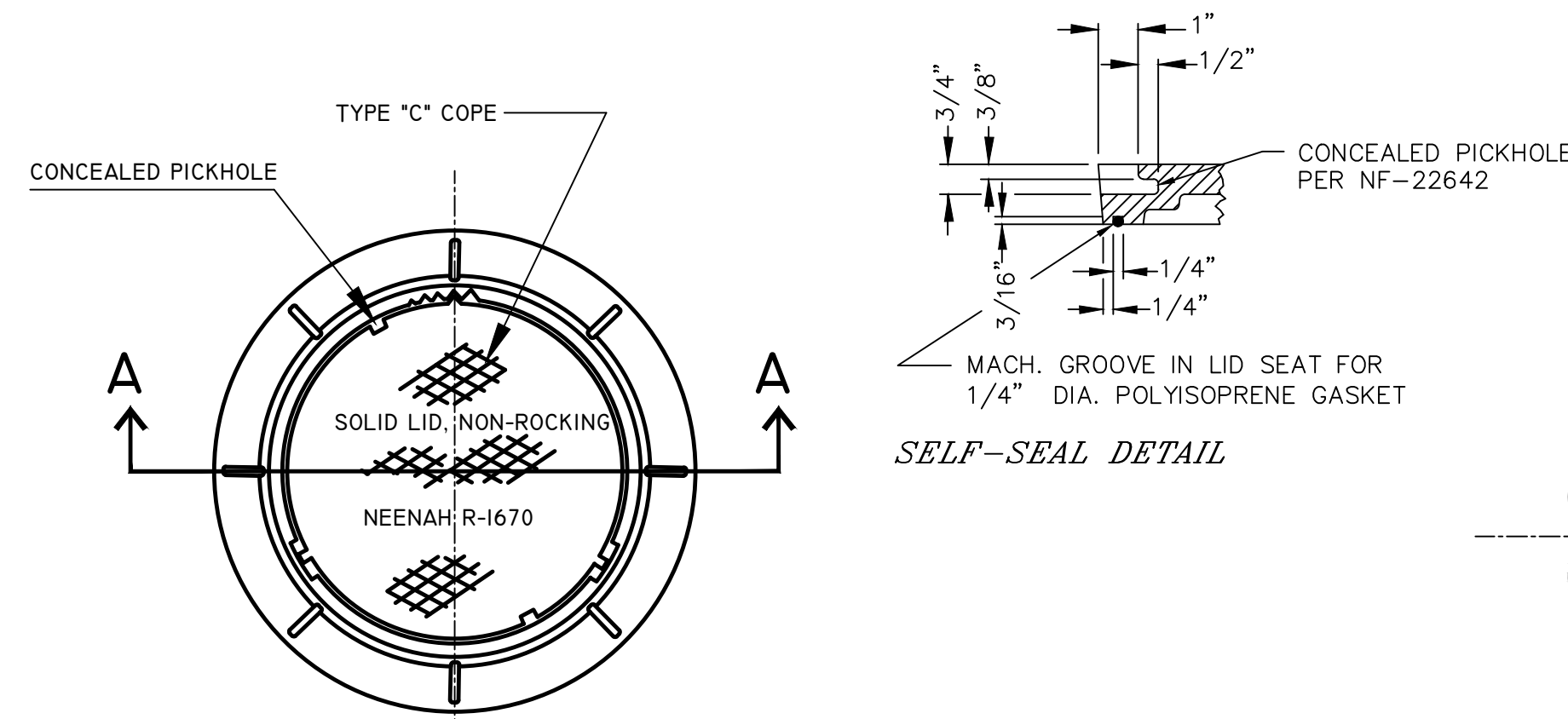
DRAWING
NOT TO SCALE

SEWER PIPE JOINT MATERIALS
CONCRETE PIPE-RUBBER GASKET (ASTM C-443)
PVC PIPE- ELASTOMETRIC GASKET (ASTM D-3212 & F-477)

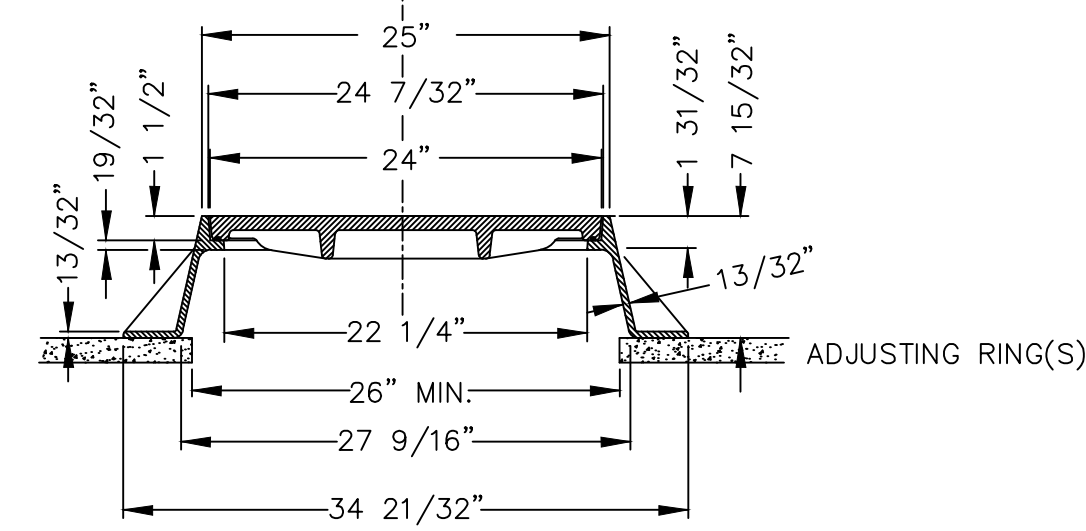


DETAILS OF SEWER TRENCHES

A
D-2



SELF-SEAL DETAIL



A - A

DETAIL OF MANHOLE FRAME & COVER

(MINIMUM WEIGHT 324 LBS. TOTAL)
NEENAH R-1670 OR EQUAL

NOTE

OPENING FOR FRAME & COVER SHALL BE CENTERED ON MANHOLES WITH FLAT TOPS.

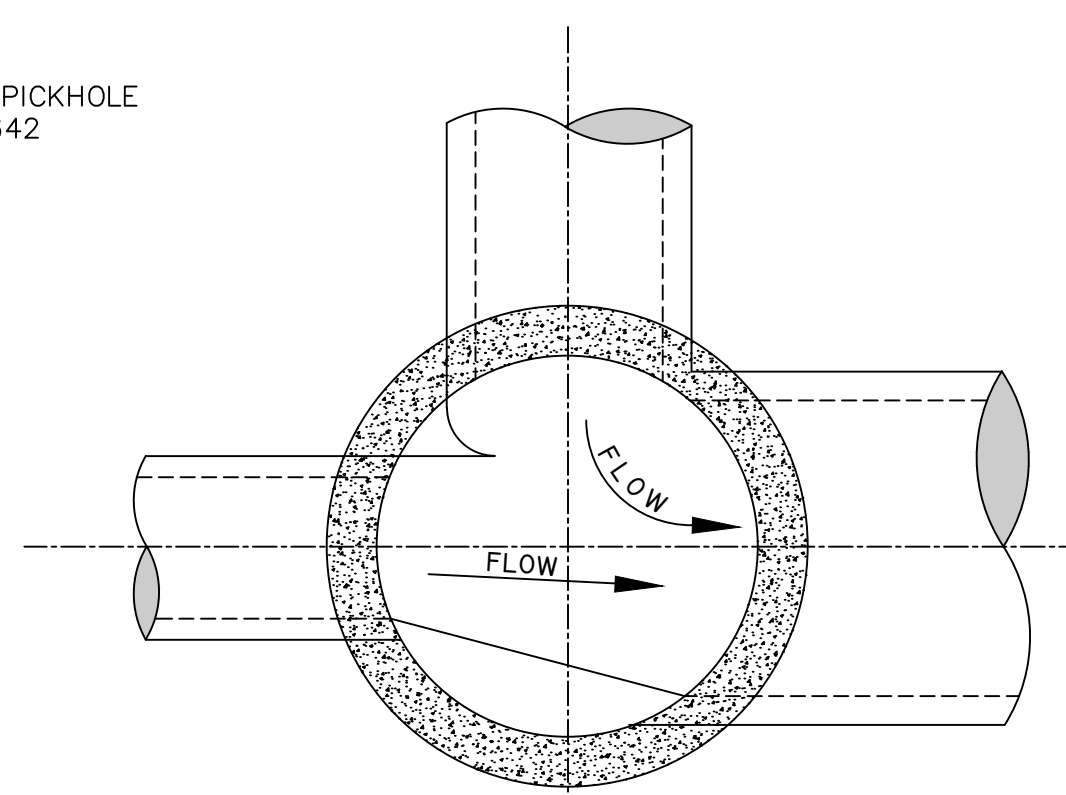
B
D-2

NOTE 12

THE CONNECTION OF ALL PVC STORM WATER PIPE, SIZE 6" TO 30", TO PRECAST MANHOLES OR OTHER STRUCTURES SHALL EMPLOY A WATERTIGHT, FLEXIBLE PIPE-TO-MANHOLE CONNECTOR

THE CONNECTOR SHALL CONSIST OF A SINGLE RUBBER GASKET, SHALL BE CONSTRUCTED SOLELY OF SYNTHETIC OR NATURAL RUBBER, SHALL MEET/EXCEED THE REQUIREMENTS OF ASTM C 923, AND SHALL HAVE A MINIMUM TENSILE STRENGTH OF 1600 PSI

THE CONNECTOR SHALL BE THE SOLE ELEMENT RELIED ON TO ASSURE A FLEXIBLE, WATERTIGHT SEAL OF THE PIPE TO THE STRUCTURE

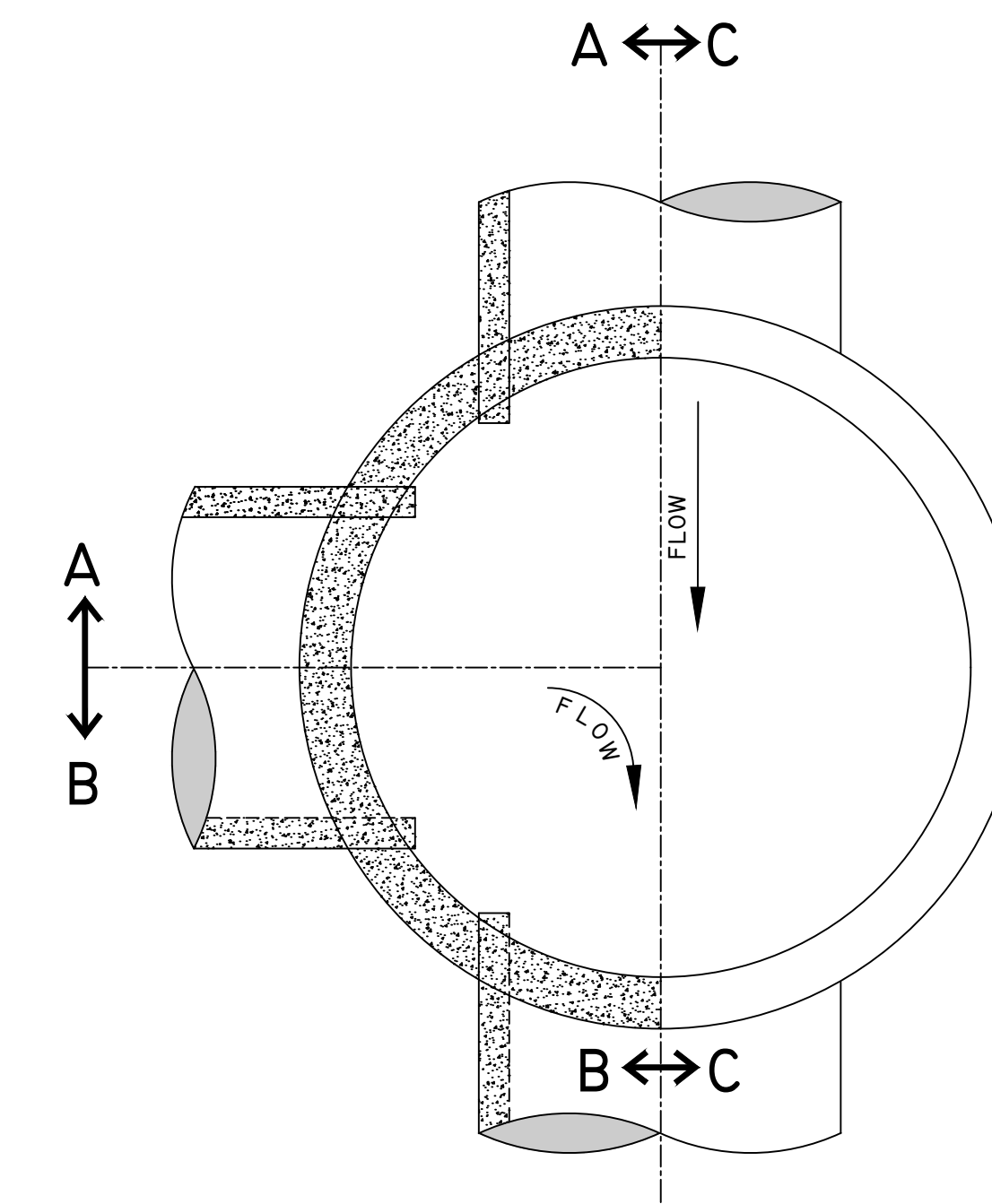


A - A

NOTE 6
NO ECCENTRIC MANHOLE
CONE SECTIONS PERMITTED

NOTE 12

C
D-2 **DETAILS OF STANDARD MANHOLE FOR 30" PIPE OR SMALLER**



A ↔ C

E
D-2

D
D-2 **DETAILS OF STANDARD MANHOLE FOR 36" PIPE OR LARGER**

NOTE 1

TOP OF MANHOLE TO BE 12" BELOW FINISHED GRADE. ADJUSTMENT TO BE OF PRE-CAST CONCRETE RINGS WITH BUTYL GASKETS (ROPE) BETWEEN RINGS AND MORTAR BETWEEN CASTING & TOP RING ONLY. (3/4" MORTAR MAX.)

NOTE 2

NO STEPS ARE TO BE INSTALLED IN MANHOLES

NOTE 3

MANHOLE TO BE CONSTRUCTED OF PRE-CAST CONCRETE (ASTM C-478).

NOTE 4

LIFT HOLES TO BE MANUFACTURED WATER PROOF

NOTE 5

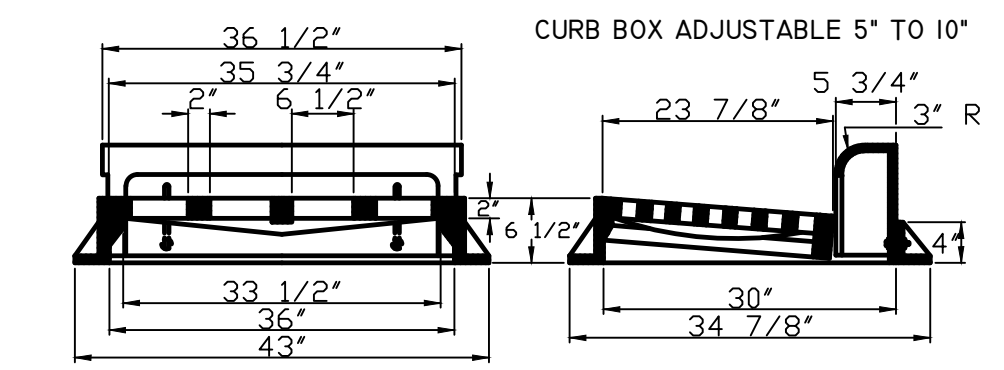
INVERT TO BE FACTORY MOLDED TO PIPE DIA. OR FILLED TO DIRECT FLOW WITH 3/4" MAXIMUM AGGREGATE, 3500 P.S.I. CONCRETE IF M.H. IS NOT REPLACED

NOTE 7

ALL STRUCTURES TO BE MADE WITH PRE-CAST INTEGRAL FOOTING BASE, MIN. 6"

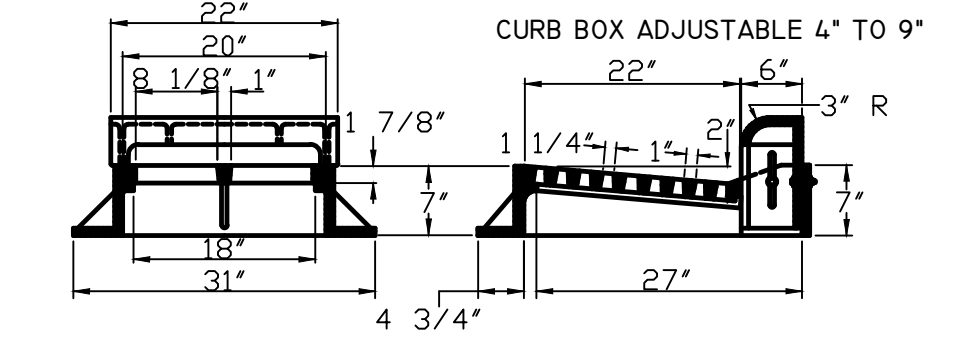
NOTE 5

GASKET REQUIRED AT ALL PIPE ENTRANCES TO CLASS W MANHOLE



DETAILS OF TYPE "A" CATCH BASIN CASTING
NEENAH R-3246-A OR EQUAL
MINIMUM WEIGHT 649 LBS. TOTAL

F
D-2



DETAILS OF TYPE "B" CATCH BASIN CASTING
NEENAH R-3234-B1 OR EQUAL
MINIMUM WEIGHT 400 LBS. TOTAL

NOTE:

"DUMP NO WASTE DRAINS TO RIVER"

SHALL BE MOLDED IN ALL CASTINGS FACE

NOTE 8

RECTANGULAR OPENING IN TOP
"B" TYPE CASTING - 27" X 22"
"A" TYPE CASTING - 36" X 30"

NOTE 9

TOP OF CATCH BASIN TO BE 12" BELOW CATCH BASIN FLOWLINE GRADE ADJUSTMENT TO BE MADE AS IN NOTE 1

NOTE 10

CONSTRUCTION OF CATCH BASIN TO BE THE SAME AS IN NOTE 9

E
D-2

DETAIL OF TYPE "A" OR "B" CATCH BASIN

STORM SEWER DETAILS

D-2

ENGINEERING DEPT.
City of LaCrosse, Wis.

FIELD	DESIGNED	BY	DATE
BOOK	PRELIMINARY		
NUMBER	FINAL		
PAGE	REVISIONS	M.D.F. 3/03	J.M.C. 6/2015
		J.M.C. 9/03	B.E.M. 2/2019
		M.D.F. 4/06	J.M.C. 8/2019
		M.D.F. 12/10	J.M.C. 11/2023
		M.D.F. 4/13	J.M.C. 11/2024

SCALE: NONE