



**REVOCABLE OCCUPANCY / STREET PRIVILEGE PERMIT APPLICATION
FOR COMMUNICATIONS (FIBER OPTICS, TELEPHONE, CABLE, ETC.)**

City of La Crosse Engineering Department

Phone: 608-789-7505 Email: engineering@cityoflacrosse.org <http://cityoflacrosse.org>

Encroachment Owner: Metro Fibernet, LLC.
Address: 149 Causeway Blvd City: La Crosse State: WI Zip: 54603
Phone # 608-399-5250 Email Address Lee.Vang@metronet.com

Application Preparer (if different from above) _____
Relationship with Owner: _____
Phone # 608-606-2043 Email Address taran.welchlin@metronet.com

Description of Proposed Encroachment:

See print package please: Fiber Optics Cable.

Encroachment Addresses (List by Street and 100 blocks):

WILC025: ~~Section 2: UG: Between 8th Street, West Ave, LaCrosse Street, and Badger Street.~~

Section 4 Between 9th Street - 12th Street - LaCrosse St + Badger St

I certify that I have reviewed the Municipal Code and understand all that is related to this permit request. I further certify that I have the full authority to make the foregoing application; the information in the application and the required submittals are complete and correct; the Work or Use performed shall comply with all the laws of the State of Wisconsin, and all ordinances, rules, regulations, policies and special conditions of the City of La Crosse. The applicant agrees to perform the work covered by an approved permit with diligence and convenience to the public. **See Sheet 2 of 2 for Additional Conditions.**

Signature of Owner or designee: Lee Vang Date: 10/06/23
Print Name and Title: Lee Vang, Project Controls Manager

Please return this completed application along with required information and fees noted on checklist below to: City of La Crosse, Engineering Department, 400 La Crosse Street, La Crosse, WI 54601. You will then be given notice of when your request will be on the Board of Public Works agenda for consideration. **Average completion time for validation 45 days.**

BELOW THIS LINE TO BE COMPLETED BY CITY STAFF ONLY

Required items to be provided by Applicant:

Scale Drawing of encroachments
(Complete Utility Locate by Digger's Hotline Required)

Certificate of Insurance (City as additional Insured)

Initial Application Fee \$ 100.00

City Utility Potential Conflict Notification and Sign-Off

Board of Public Works

Approval Date:

2/5/2024

Encroachment Type:

Communications

Permit Number:

2367

All Fees are Non-Refundable & Subject to change by City Council

SHEET 1 OF 2



REVOCABLE OCCUPANCY / STREET PRIVILEGE PERMIT APPLICATION

City of La Crosse Engineering Department

Phone: 608-789-7505 Email: engineering@cityoflacrosse.org <http://cityoflacrosse.org>

STREET PRIVILEGE PERMIT CONDITIONS FOR COMMUNICATIONS INSTALLATIONS

1. The applicant shall be primarily liable for damages to person or property by reason of the granting of this street privilege permit.
2. The applicant shall obtain an excavation permit from the City of La Crosse Engineering Department prior to performing installation or any maintenance on the cable in the City right-of-way that requires excavation or disruption of pavement, sidewalk, curb and gutter, or other structure.
3. The applicant agrees that tracer wires shall be used and final cable location within the street right-of-way shall be approved by the City Engineer. Cable shall be installed not less than 36 inches deep, unless otherwise approved by the City Engineer.
4. Applicant agrees to provide the City of La Crosse with final "as-built" plans when installation is complete.
5. Applicant agrees that any pavement, concrete or green space disturbed during drilling activities shall be restored to its prior condition.
6. Applicant agrees that said installation shall not interfere with the City's water, sanitary sewer, or storm sewer underground infrastructure that may be in the area.
7. Applicant further agrees that they will make arrangements with the public utility companies and the City of La Crosse to clear all public underground utilities prior to initiating such work, and if necessary, applicant will make arrangements with the City of La Crosse to ensure proper traffic control.
8. Applicant waives any and all rights to contest in any way or manner the validity of Sec. 66.0425 of the Wisconsin Statutes and the amount of compensation charged.
9. Applicant agrees to become a member of Diggers Hotline for marking / locating of utility.
10. The applicant for a permit to encroach on the public right-of-way shall procure and maintain for the duration of the permit a minimum liability and contractual liability policy in the amount of \$100,000.00 each person, \$300,000.00 each accident for bodily injury and \$100,000.00 for property damage. A certificate of such insurance shall be filed with the City Attorney as part of the application. The insurance shall name the City, its officials, employees and agents as additional insureds. The Board may approve greater insurance protection on a case-by-case basis.
11. Applicant further agrees to hold harmless the City for any damage to said cable while the City, its agents or contractors are conducting construction for maintenance activities in or upon such area in which said cable lies; provided, however, the City shall make a good faith effort to notify applicant of any maintenance or work in the area of the street privilege permit which may damage applicant's cable.
12. Applicant agrees to remove the cable and return the area to its original condition upon ten (10) days' notice by the Board of Public Works. The applicant further agrees that if it does not remove the cable within ten (10) days after receiving notice, the City is authorized to remove the same and applicant agrees to pay the City for all costs of such removal.
13. Applicant further agrees that the obligations and conditions of this street privilege permit shall be binding upon all heirs, successors and assigns of applicant.
14. The person(s) signing this Permit warrant that they have the authority to sign as, or on behalf of, the party for whom they are signing.



TASK NAME: WILC025-U-S4

TASK DESCRIPTION: FIBER OPTIC CONDUIT PLACEMENT

SITE LOCATION: LACROSSE, WI, USA



3701 COMMUNICATIONS WAY
EVANSVILLE, IN, 47715



1100 E. WOODFIELD ROAD, SUITE 500
SCHAUMBURG, ILLINOIS 60173
TEL: 647-908-8400
DESIGN FIRM NO. 184.008202-0006
www.fullerton-us.com

PROJECT INFORMATION

TASK NAME: WILC025-U-S4
TASK DESCRIPTION: FIBER OPTIC CONDUIT PLACEMENT
SITE LOCATION: LACROSSE, WI, USA
SITE TYPE: UNDERGROUND FIBER-OPTIC CONSTRUCTION
JURISDICTION: LACROSSE, WI, USA
APN: -
ZONING CLASSIFICATION: -
OCCUPANCY TYPE: -
CONSTRUCTION TYPE: -
APPLICANT: METRO FIBERNET, LLC
ADDRESS: 3701 COMMUNICATIONS WAY
EVANSVILLE, IN, 47715
CONTACT: TARAN WELCHLIN
PHONE: (608) 606-2043
EMAIL: TARAN.WELCHLIN@METRONET.COM

NOTE: DRAWING SCALES ARE FOR 11"x17" SHEETS UNLESS OTHERWISE NOTED

PROJECT CONSULTANTS

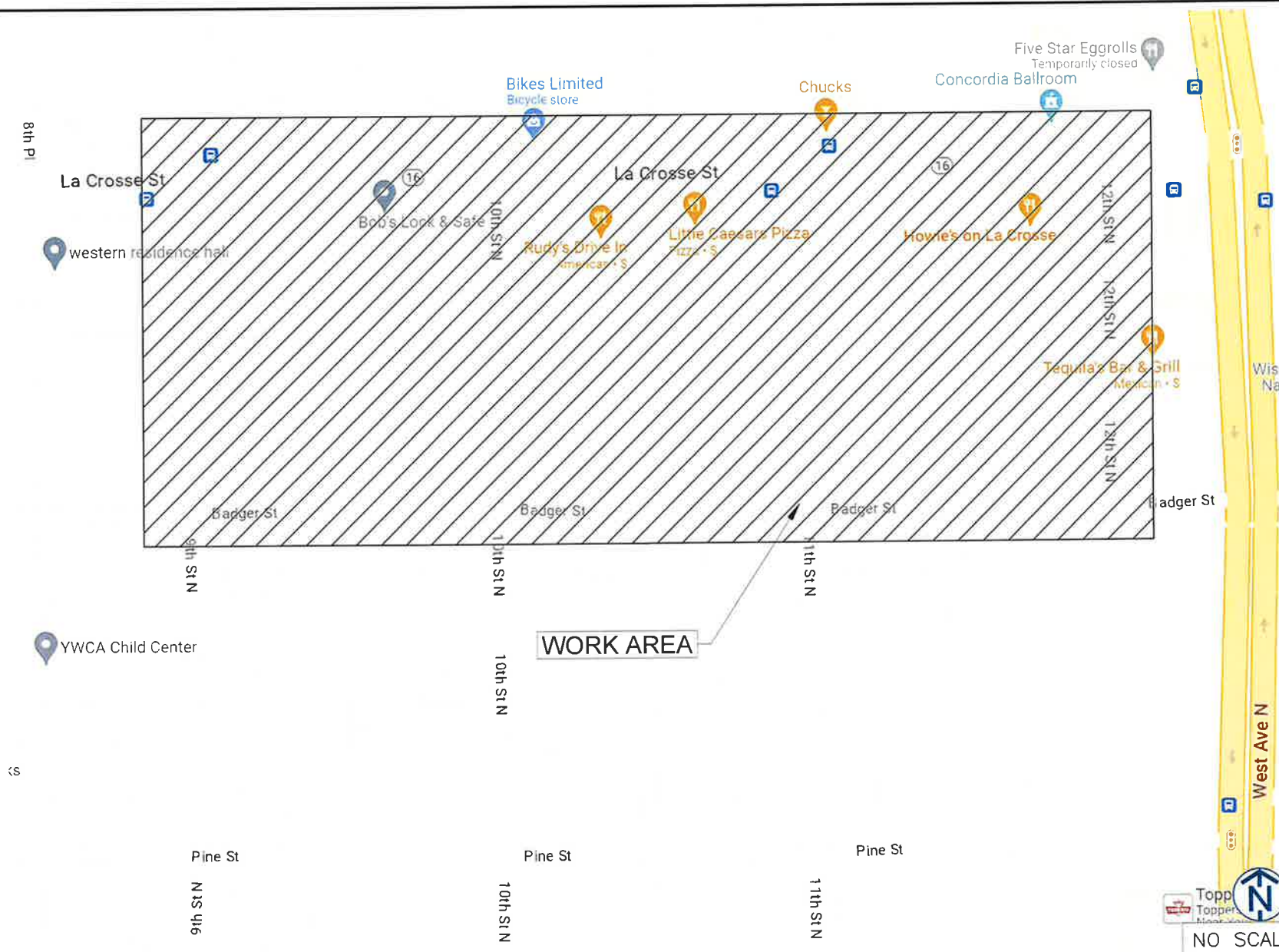
PROJECT MANAGER: FULLERTON ENGINEERING CONSULTANTS, LLC
ADDRESS: 1100 E. WOODFIELD ROAD, SUITE 500
CONTACT: ELIAS CANALES
PHONE: (773) 655-4685
EMAIL: ECANALES@FULLERTONENGINEERING.COM
ENGINEER: FULLERTON ENGINEERING CONSULTANTS, LLC
ADDRESS: 1100 E. WOODFIELD ROAD, SUITE 500
SCHAUMBURG, ILLINOIS 60173
EOR: DAN SMITH, P.E.
PHONE: 847-908-8521
EMAIL: DSMITH@FULLERTONENGINEERING.COM
POWER COMPANY:
PHONE:
TELEPHONE COMPANY:
PHONE:

SCOPE OF WORK

THE SCOPE OF WORK CONSISTS OF:
 INSTALLATION OF:
 • 3,395' OF UNIQUE CONDUIT
 • 6,221' OF 1.25" CONDUIT DIRECTIONAL BORE
 • (8) M-HANDHOLE 24X36X18
 • (4) B-HANDHOLE 17X30X18(UTILITY BOX)
 • (9) TB- HANDHOLE 13X24X15(TERMINAL BOX)
 • (13) DB- HANDHOLE 11X11X10 (DROP BOX)

• ALL MATERIAL SHALL BE INSTALLED BY THE CONTRACTOR, UNLESS STATED OTHERWISE.

SITE LOCATION MAP



REV	DATE	DESCRIPTION	BY
A	10/05/23	ISSUED FOR REVIEW	NS

I HEREBY CERTIFY THAT THESE DRAWINGS WERE PREPARED BY ME OR UNDER MY DIRECT SUPERVISION AND CONTROL, AND TO THE BEST OF MY KNOWLEDGE AND BELIEF COMPLY WITH THE REQUIREMENTS OF ALL APPLICABLE CODES.

TASK NAME
WILC025-U-S4

TASK DESCRIPTION
FIBER OPTIC CONDUIT PLACEMENT

PROJECT AREA
LACROSSE, WI, USA

SHEET SCALE
N.T.S.

SHEET TITLE
TITLE SHEET

GRID NUMBER

SHEET NUMBER
T-1

LEGEND

PROPOSED	
	PROPOSED OPEN CUT TRENCH
	PROPOSED DIRECTIONAL BORE
	PROPOSED BORE PIT
	PROPOSED L-HANDHOLE(30X48X24)
	PROPOSED M-HANDHOLE(24X36X18)
	PROPOSED B-UTILITY BOXES(17X30X18)
	PROPOSED TERMINAL BOXES(13X24X15)
	PROPOSED DROP BOXES(11X11X12)

SEWER	
	EXISTING SEWER MAIN
	EXISTING SEWER MAIN (ABANDON)
	EXISTING STORM SEWER MAIN
	EXISTING STORM MANHOLE
	EXISTING SEWER MANHOLE
	EXISTING SEWER CATCH BASIN
	EXISTING SEWER INLET

WATER	
	EXISTING WATER MAIN
	EXISTING WATER MAIN (ABANDON)
	EXISTING WATER SHUT OFF
	EXISTING FIRE CISTERN MANHOLE
	EXISTING WATER CAP
	EXISTING WATER MANHOLE
	EXISTING WATER VALVE
	EXISTING WATER METER
	EXISTING FIRE HYDRANT
	EXISTING WATER REDUCER

GAS	
	EXISTING GAS MAIN
	EXISTING GAS MAIN (DEAD)
	EXISTING GAS CAP
	EXISTING GAS REDUCER
	EXISTING GAS MANHOLE
	EXISTING GAS VALVE
	EXISTING GAS METER

DEO/ELECTRIC	
	EXISTING DEO/ELECTRIC
	EXISTING STREET LIGHT CONTROL BOX
	EXISTING TRAFFIC LIGHT CONTROL BOX
	EXISTING STREET LIGHT HANDHOLE
	EXISTING TRAFFIC LIGHT HANDHOLE
	EXISTING RED LIGHT CAMERA POLE
	EXISTING STREET LIGHT POLE
	EXISTING TRAFFIC LIGHT POLE
	EXISTING DEO POLE
	EXISTING ELECTRIC MANHOLE
	EXISTING ELECTRIC HANDHOLE
	EXISTING RED LIGHT FLASH POLE

COMMUNICATIONS	
	EXISTING AT&T
	EXISTING AT&T (ABANDON)
	EXISTING COMMUNICATIONS
	EXISTING MCI
	EXISTING SPRINT
	EXISTING SUNESYS
	EXISTING VERIZON
	EXISTING CITY FIBER
	EXISTING AT&T MANHOLE
	EXISTING COMMUNICATIONS MANHOLE
	EXISTING MCI
	EXISTING SPRINT/NEXTEL MANHOLE
	EXISTING SUNESYS MANHOLE
	EXISTING VERIZON MANHOLE

MISCELLANEOUS	
	EXISTING FENCE
	EXISTING CONSTRUCTION FENCE
	EXISTING GUARDRAIL
	EXISTING PROPERTY LINE/ R.O.W.
	EXISTING BIKE RACK
	EXISTING TREE
	EXISTING BUSH
	EXISTING STREET SIGN POST
	EXISTING POST/BOLLARD
	EXISTING GROUND LIGHT
	EXISTING UTILITY POLE
	EXISTING STANDPIPE
	EXISTING ADA RAMP
	EXISTING MISCELLANEOUS MANHOLE
	EXISTING GARBAGE CAN
	EXISTING PARK DISTRICT MANHOLE
	EXISTING MONITORING WELL
	EXISTING FIRE ALARM
	EXISTING STREET PARKING PAY BOX
	EXISTING PEDESTAL
	EXISTING MAILBOX
	EXISTING NEWSPAPER BOX
	EXISTING PHONE
	EXISTING SPRINKLER CONTROL BOX
	EXISTING SPRINKLER VALVE
	EXISTING SUPPORT COLUMN

metronet

3701 COMMUNICATIONS WAY
EVANSVILLE, IN, 47715

Fullerton
DESIGN DEVELOP CONSTRUCT

1100 E WOODFIELD ROAD, SUITE 500
SCHAUMBURG, ILLINOIS 60173
TEL: 847-908-8400
DESIGN FIRM NO. 184.008202-0006
www.fullerton-us.com

REV	DATE	DESCRIPTION	BY
A	10/05/23	ISSUED FOR REVIEW	NS

I HEREBY CERTIFY THAT THESE DRAWINGS WERE PREPARED BY ME OR UNDER MY DIRECT SUPERVISION AND CONTROL, AND TO THE BEST OF MY KNOWLEDGE AND BELIEF COMPLY WITH THE REQUIREMENTS OF ALL APPLICABLE CODES.

TASK NAME
WILC025-U-S4

TASK DESCRIPTION
FIBER OPTIC CONDUIT PLACEMENT

PROJECT AREA
LACROSSE, WI, USA

SHEET SCALE
N.T.S.

SHEET TITLE
LEGEND

GRID NUMBER

SHEET NUMBER
T-3

1. THE ENCLOSED DESIGN MAY IMPLY EXISTING UTILITIES. THE UTILITIES HAVE NOT BEEN FIELD VERIFIED FOR LOCATION. THEREFORE, ALL UTILITIES IMPLIED WITHIN THIS DOCUMENT ARE TO BE REFERRED TO AS A "REFERENCE TOOL". IT IS THE RESPONSIBILITY OF THE GENERAL CONTRACTOR AND/OR IT'S SUBCONTRACTOR TO VERIFY THESE UTILITIES USING ANY AND ALL METHODS AND INSTRUMENTS AVAILABLE IF/WHEN NECESSARY. FULLERTON CANNOT IN GOOD FAITH GUARANTEE UTILITY LOCATIONS. ANY AND ALL DOCUMENTATION ON EXISTING UTILITIES HAS BEEN IMPLIED UTILIZING INFORMATION RETRIEVAL PROCESSES FROM EACH JURISDICTION INVOLVED (STATE, COUNTY AND/OR MUNICIPALITY, TO INCLUDE OTHERS).
2. IT IS THE RESPONSIBILITY OF THE GENERAL CONTRACTOR TO ENSURE ALL CONDUITS ARE PLACED WITHIN THE GIVEN & DEDICATED SPACE LICENSED FOR THIS PARTICULAR CLIENT. FULLERTON ENGINEERING CONSULTANTS, INC. (FULLERTON) WAS NOT RETAINED FOR THE PURPOSE OF SUPPORTING A SURVEY OF THE AREA AND PROPERTY BOUNDARIES, THEREFORE FULLERTON CAN NOT AND WILL NOT SUPPORT THE ACCURACY OF ANY IMPLIED BOUNDARY (I.E. PUBLIC WAY, PRIVATE PROPERTY, EASEMENT ETC.) NOR IS IT TO BE ASSUMED THAT THE SALE OF PROPERTIES HAS NOT OCCURRED DURING & AFTER FULLERTON'S RESPONSIBILITIES FOR THIS PROJECT HAVE PAST. ALL BOUNDARIES, EASEMENTS, PROPERTY LINES, ETC. ARE TO BE USED AS A GUIDELINE OR REFERENCE AND SHOULD NOT BE TAKEN LITERALLY. IT IS THE CONTRACTOR'S RESPONSIBILITY TO HAVE ASSOCIATED BOUNDARIES SURVEY STAKED IF SO QUESTIONED. ALL ASPECTS OF BOUNDARIES IMPLIED HEREIN, HAVE BEEN DERIVED THROUGH AVAILABLE MEDIA SUCH AS BUT NOT LIMITED TO (SIDWELL, GOOGLE EARTH PRO, MUNICIPAL, STATE, COUNTY, GIS, AND OTHER RECORD TYPES). FULLERTON DOES NOT AGREE NOR DISAGREE WITH THE ABOVE-MENTIONED RECORDS AS THEY ARE USED JUST A REFERENCE TOOL.
3. ALL BURIED OBSTRUCTIONS KNOWN BY FULLERTON ARE SHOWN ON THE CONSTRUCTION DRAWINGS. ANY AND ALL OTHERS ENCOUNTERED DURING CONSTRUCTION ARE THE RESPONSIBILITY OF THE CONTRACTOR TO LOCATE AND PROTECT.
4. CONTRACTOR IS RESPONSIBLE FOR LOCATING ALL UTILITIES 48 HOURS PRIOR TO CONSTRUCTION ACTIVITY.
5. SHORING MAY BE REQUIRED AND SHALL COMPLY TO O.S.H.A. STANDARDS.
6. ALL BURIED CONDUIT/CABLE WILL BE PLACED AT 30-48" MINIMUM COVER UNLESS SPECIFIED OR OTHERWISE NOTED ON THE CONSTRUCTION DRAWINGS.
7. ANY AND ALL IMPROVEMENTS, IF DAMAGED, SHALL BE RESTORED TO ORIGINAL OR BETTER CONDITION. THIS INCLUDES BUT IS NOT LIMITED TO: ASPHALT, CONCRETE PAVEMENT, CURBS, GUTTERS, SIDEWALKS, DRAINAGE DITCHES, EMBANKMENTS, SHRUBS, TREES, GRASS SOD, ETC..
8. ALL FIBER INSTALLATIONS SHALL OBSERVE A MINIMUM DYNAMIC BEND RADIUS OF 20X THE CABLE DIAMETER FOR ALL OSP FIBER SHEATHS AND 15X THE CABLE DIAMETER FOR ALL ISP FIBER SHEATHS. ADDITIONALLY, ALL INSTALLATIONS SHALL OBSERVE A MINIMUM STATIC BEND RADIUS OF 15X THE CABLE DIAMETER FOR ALL OSP FIBER SHEATHS AND 10X THE CABLE DIAMETER FOR ALL ISP FIBER SHEATHS. IF THE MANUFACTURER'S SPECIFICATIONS FOR BEND RADIUS ARE GREATER, THEN THEY SHALL BE FOLLOWED.
9. ALL NEW METALLIC AERIAL STRAND SHALL BE BONDED/GROUNDED (PREFERABLY TO THE POWER COMPANY NEUTRAL) PER LOCAL REQUIREMENTS. AT A MINIMUM, THE BONDING/GROUNDING PATTERN SHALL BE THE FIRST AND LAST POLE OF A RUN AND EVERY TENTH POLE IN THE RUN. SHOULD ONE OF THESE DESIGNATED POLES SUPPORT A POWER TRANSFORMER, THE POLES ON EITHER SIDE OF SAID POLE SHALL BE BONDED/GROUNDED AND THE PATTERN SHOULD CONTINUE EVERY TENTH POLE FROM THAT STARTING POINT.
10. ALL AERIAL FIBER OPTIC CABLES SHALL BE SECURELY LASHED TO AERIAL STRAND BY METHOD OF MECHANICAL LASHING CARRIAGE OR APPROVED EQUAL.
11. ALL FIBER OPTIC CABLES INSTALLED BELOW GRADE SHALL BE OF AN ARMORED VARIETY WITH METALLIC INNER SHEATH, OR BE PLACED WITH A METALLIC LOCATING WIRE TO FACILITATE FUTURE LOCATING SERVICES.
12. ALL CONDUIT OR DUCT CONSTRUCTION SHALL INCLUDE THE PLACEMENT OF PULLING TAPE OF SUFFICIENT SIZE AND GRADE TO FACILITATE THE INSTALLATION OF THE SPECIFIED FIBER TYPE THROUGH CONDUIT BEING UTILIZED (JETLINE USE TO BE APPROVED BY CLIENT).
13. ALL FUSION SPLICING SHALL BE COMPLETED BY A QUALIFIED FIBER SPLICER IN A CLEAN TEMPERATURE CONTROLLED TRUCK, TRAILER, OR SHELTER SPECIFICALLY TOOLED OR DESIGNED FOR THE PURPOSE OF FUSION SPLICING FIBER OPTIC CABLES IN A FIELD ENVIRONMENT.
14. ALL MECHANICAL SPLICES AND FACTORY ENDS SHALL BE KEPT CLEAN AND FREE FROM DUST, DIRT, OILS, AND SMEARS. CARE SHOULD BE TAKEN TO MATCH POLISH TYPES ON FACTORY ENDS.
15. CONTRACTOR SHALL BE RESPONSIBLE FOR ANY AND ALL CORRECTIONS TO WORK IDENTIFIED AS UNACCEPTABLE BY CLIENT, ENGINEER, OR INSPECTOR, DURING SITE INSPECTION ACTIVITIES AND/OR AS A RESULT OF TESTING. CONTRACTOR SHALL ALSO PROVIDE ALL AS-BUILT INFORMATION UPON COMPLETION OF INSPECTION.
16. CONTRACTOR SHALL KEEP THE SITE FREE FROM ACCUMULATING WASTE MATERIAL, DEBRIS, AND TRASH. AT THE COMPLETION OF THE WORK, CONTRACTOR SHALL REMOVE FROM THE SITE ALL REMAINING RUBBISH, IMPLEMENTS, TEMPORARY FACILITIES, AND SURPLUS MATERIALS. CONTRACTOR TO RETURN SITE TO PREVIOUS OR BETTER CONDITION.
17. DRAWINGS ARE INTENDED TO SHOW DESIGN INTENT. CONTRACTOR SHALL PROVIDE MATERIALS AND LABOR AS REQUIRED TO PRODUCE A COMPLETE AND FUNCTIONING SYSTEM WHILE MEETING ALL CODES AND SPECIFICATIONS. MODIFICATIONS MAY BE REQUIRED TO SUIT JOB DIMENSIONS OR CONDITIONS. SUCH MODIFICATIONS SHALL BE INCLUDED IN THE WORK. SAID DESIGN IS INTENDED TO AVOID DISRUPTION OF ANY HANDICAP RAMPS OR STRUCTURES AS DESCRIBED PER THE AMERICANS WITH DISABILITIES ACT OF 1990.
18. CONTRACTOR SHALL WORK WITH CLIENT TO IDENTIFY ALL CONTRACTOR SUPPLIED MATERIALS TO CONSTRUCT NETWORK PER

SPECIFICATIONS.

19. THE CONTRACTOR SHALL PROVIDE ALL MATERIAL, EQUIPMENT, LABOR, INSTALLATION, RESTORATION, UTILITY RELOCATION CHARGES, JOB SITE DELIVERY COSTS AND INCIDENTALS TO COMPLETE THE DESCRIBED OR ILLUSTRATED WORK UNDER THIS CONTRACT.
20. ANY CHANGE-ORDER REQUEST MUST BE PRESENTED IN WRITING TO THE OWNER'S REPRESENTATIVE AND APPROVED PRIOR TO PROCEEDING WITH THE REQUESTED CHANGE.
21. THE ENGINEER WILL NOT BE RESPONSIBLE NOR ASSUME ANY LIABILITY FOR NEGLIGENT ACTS OR ERRORS OF OMISSIONS OF ANY CONTRACTOR, ANY SUBCONTRACTOR, OR ANY OF THE PERSONS (EXCEPT ENGINEER'S OWN EMPLOYEES) AT THE PROJECT SITE OR OTHERWISE PERFORMING ANY OF THE WORK OF THE PROJECT. ANY CONTRACTOR OR SUBCONTRACTOR, AS WELL AS THE ENGINEER, WILL BE RESPONSIBLE FOR HIS OWN SAFETY PROGRAM. NEITHER THE PROFESSIONAL ACTIVITIES OF THE ENGINEER, NOR THE PRESENCE OF THE ENGINEER OR HIS OR HER EMPLOYEES AND SUB-CONSULTANTS AT THE CONSTRUCTION SITE, SHALL RELIEVE ANY CONTRACTOR OF HIS OR HER OBLIGATIONS, DUTIES AND RESPONSIBILITIES INCLUDING, BUT NOT LIMITED TO, CONSTRUCTION MEANS, METHODS, SEQUENCE, TECHNIQUES OR PROCEDURES NECESSARY FOR PERFORMING, SUPERINTENDING OR COORDINATING ALL PORTIONS OF THE WORK OF CONSTRUCTION IN ACCORDANCE WITH THE CONTRACT DOCUMENTS AND ANY HEALTH OR SAFETY PRECAUTIONS REQUIRED BY ANY REGULATORY AGENCIES. THE ENGINEER AND HIS OR HER PERSONNEL HAVE NO AUTHORITY TO EXERCISE ANY CONTROL OVER ANY CONSTRUCTION CONTRACTOR OR OTHER ENTITY OR THEIR EMPLOYEES IN CONNECTION WITH ANY HEALTH OR SAFETY PRECAUTIONS.
22. ALL MATERIALS INSTALLED WITHIN THE LIMITS OF THIS PROJECT SHALL BE IN CONFORMANCE WITH STANDARD RECOMMENDATIONS OF THE NATIONAL ELECTRIC MANUFACTURER'S ASSOCIATION (NEMA) AND THE AMERICAN NATIONAL STANDARDS INSTITUTE (ANSI).
23. THE CONTRACTOR SHALL OBTAIN ALL PERMITS AND COMPLY WITH THE REQUIREMENTS OF ALL AGENCIES HAVING JURISDICTION OVER THE WORK AND SHALL COORDINATE HIS WORK WITH THE WORK PERFORMED BY OTHERS FOR THE PURPOSE OF INSTALLATION. THIS INCLUDES, BUT IS NOT LIMITED TO, ALL WORK WITH ALL PUBLIC AND PRIVATE UTILITIES AS WELL AS CITY AND STATE AGENCIES.
24. CONTRACTOR SHALL RECORD THE LOCATION AND ELEVATION OF ALL UTILITIES ENCOUNTERED, AND INSTALLATION OF NEW WORK, AS THE WORK PROGRESSES AND SHALL PREPARE RECORD DRAWINGS (RED-LINES) BASED ON HIS RECORDS. AS A PART OF THE RECORD DRAWINGS, CONTRACTOR SHALL ALSO PROVIDE HORIZONTAL AND VERTICAL CONFIGURATION OF CONDUITS WHERE MULTIPLE CONDUITS ARE INSTALLED. THESE RECORDS ARE TO BE SUPPLIED TO FULLERTON ENGINEERING AT COMPLETION OF WORK.
25. MAINTAIN MORE THAN 2'-0" VERTICAL CLEARANCE AND MORE THAN 4'-0" HORIZONTAL CLEARANCE BETWEEN EXISTING SEWER OR SEWER STRUCTURES AND UTILITY. IF CITY SEWER FACILITIES ARE DAMAGED DURING CONSTRUCTION, IT MUST BE REPORTED TO CITY ENGINEERING SECTION AND MUST BE REPAIRED BY A LICENSED DRAIN LAYER UNDER THE SUPERVISION OF THE MASON INSPECTOR.
26. NO STORAGE OF EQUIPMENT OR MATERIALS IN THE ROADWAY IS PERMITTED UNLESS THE CONTRACTOR OBTAINS WRITTEN PERMISSION FROM THE CITY, STATE, AND/OR GOVERNING BODY.
27. CONTRACTOR RESPONSIBLE FOR OBTAINING AND PROVIDING REVIEW AND DESIGN OF ANY AND ALL SHORING SYSTEMS PRIOR TO CONSTRUCTION.
28. THE ENGINEER SHALL BE NOTIFIED FOR DISPOSITION OF SITUATIONS WHERE THE CONDUIT CANNOT MAINTAIN SEPARATIONS PER PLAN.
29. THE CONTRACTOR IS RESPONSIBLE FOR THE RESTORATION OF THE AREAS DISTURBED BY CONSTRUCTION ACTIVITIES. CONTRACTOR IS TO PAY ALL FEES AND OBTAIN ALL PERMITS FOR RESTORATION. CONTRACTOR IS TO RESTORE ALL DAMAGED STRUCTURES AND UTILITIES TO THE SATISFACTION OF THE FACILITY OWNER OR THE GOVERNING BODY. IN THE EVENT THAT DAMAGE OCCURS.
30. USE EXTREME CAUTION NEAR ALL GAS FACILITIES DURING CONSTRUCTION AND RELATED EXCAVATION ACTIVITIES, HAND EXCAVATION IS REQUIRED TO VERIFY THE HORIZONTAL AND VERTICAL LOCATION OF GAS MAIN(S) PRIOR TO CROSSING AND WORKING WITHIN 3 FEET OF ALL GAS FACILITIES. A MINIMUM OF 3 FEET HORIZONTAL EDGE TO EDGE CLEARANCE IS REQUIRED FOR GAS MAINS WITH DIAMETERS OF 16 INCHES OR SMALLER, AND 5 FEET EDGE TO EDGE CLEARANCE FOR GAS MAINS WITH DIAMETERS 18 INCHES AND LARGER IN DIAMETER. THE USE OF CONCRETE, FLOW FILL, OR THE LIKE IS PROHIBITED WITHIN 24 INCHES OF ALL GAS FACILITIES, NOR SHALL IT ENCASE ANY GAS FACILITY. SAND IS TO BE USED AS A BUFFER BETWEEN FLOWABLE FILL AND ALL GAS FACILITIES. ANY DAMAGE TO GAS FACILITIES SHALL BE THE RESPONSIBILITY OF THE INSTALLING UTILITY AND THEIR CONTRACTORS.

metronet

3701 COMMUNICATIONS WAY
EVANSVILLE, IN, 47715

Fullerton
DESIGN • ENGINEER • CONSTRUCTOR

1100 E. WOODFIELD ROAD, SUITE 500
SCHAUMBURG, ILLINOIS 60173
TEL: 847-908-8400
DESIGN FIRM NO. 184.008202-0006
www.fullerton-us.com

REV	DATE	DESCRIPTION	BY
A	10/05/23	ISSUED FOR REVIEW	NS

I HEREBY CERTIFY THAT THESE DRAWINGS WERE PREPARED BY ME OR UNDER MY DIRECT SUPERVISION AND CONTROL, AND TO THE BEST OF MY KNOWLEDGE AND BELIEF COMPLY WITH THE REQUIREMENTS OF ALL APPLICABLE CODES.

TASK NAME
WILC025-U-S4

TASK DESCRIPTION
FIBER OPTIC CONDUIT PLACEMENT

PROJECT AREA
LACROSSE, WI, USA

SHEET SCALE
N.T.S.

SHEET TITLE
GENERAL NOTES

GRID NUMBER

SHEET NUMBER
GN-1



metronet

3701 COMMUNICATIONS WAY
EVANSVILLE, IN, 47715

Fullerton
DESIGN DEVELOP CONSTRUCT

1100 E. WOODFIELD ROAD, SUITE 500
SCHAUMBURG, ILLINOIS 60173
TEL: 847-908-8400
DESIGN FIRM NO. 184.008202-0006
www.fullerton-us.com



REV	DATE	DESCRIPTION	BY
A	10/05/23	ISSUED FOR REVIEW	NS

I HEREBY CERTIFY THAT THESE DRAWINGS WERE PREPARED BY ME OR UNDER MY DIRECT SUPERVISION AND CONTROL, AND TO THE BEST OF MY KNOWLEDGE AND BELIEF COMPLY WITH THE REQUIREMENTS OF ALL APPLICABLE CODES.

TASK NAME
WILC025-U-S4

TASK DESCRIPTION
**FIBER OPTIC CONDUIT
PLACEMENT**

PROJECT AREA
LACROSSE, WI, USA

SHEET SCALE
N.T.S.

SHEET TITLE
MAP

GRID NUMBER

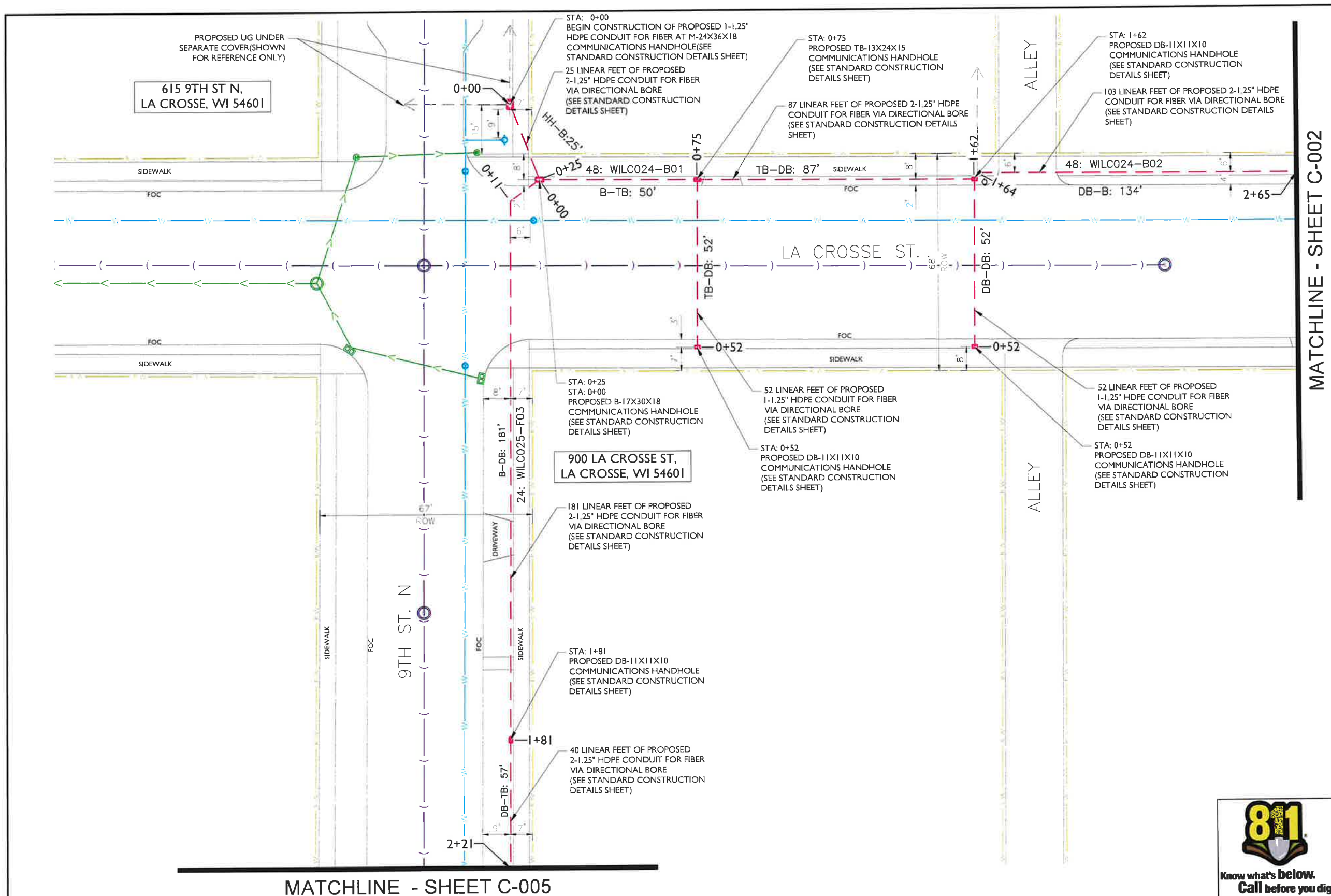
SHEET NUMBER
MAP-1

PLANSET

11'x17' SCALE: NTS
24'x36' SCALE: NTS

1

PROJECT# 2023.0119.0005



615 9TH ST N,
LA CROSSE, WI 54601

900 LA CROSSE ST,
LA CROSSE, WI 54601

MATCHLINE - SHEET C-005

metronet

3701 COMMUNICATIONS WAY
EVANSVILLE, IN, 47715

Fullerton
DESIGN DEVELOP CONSTRUCT

1100 E. WOODFIELD ROAD, SUITE 500
SCHAUMBURG, ILLINOIS 60173
TEL: 847-908-8400
DESIGN FIRM NO. 184.008202-0006
www.fullerton-us.com

REV	DATE	DESCRIPTION	BY
A	10/05/23	ISSUED FOR REVIEW	NS

I HEREBY CERTIFY THAT THESE DRAWINGS WERE PREPARED BY ME OR UNDER MY DIRECT SUPERVISION AND CONTROL, AND TO THE BEST OF MY KNOWLEDGE AND BELIEF COMPLY WITH THE REQUIREMENTS OF ALL APPLICABLE CODES.

TASK NAME
WILC025-U-S4

TASK DESCRIPTION
**FIBER OPTIC CONDUIT
PLACEMENT**

PROJECT AREA
LACROSSE, WI, USA

SHEET SCALE
1" = 30'-0"

SHEET TITLE
DESIGN LAYOUT

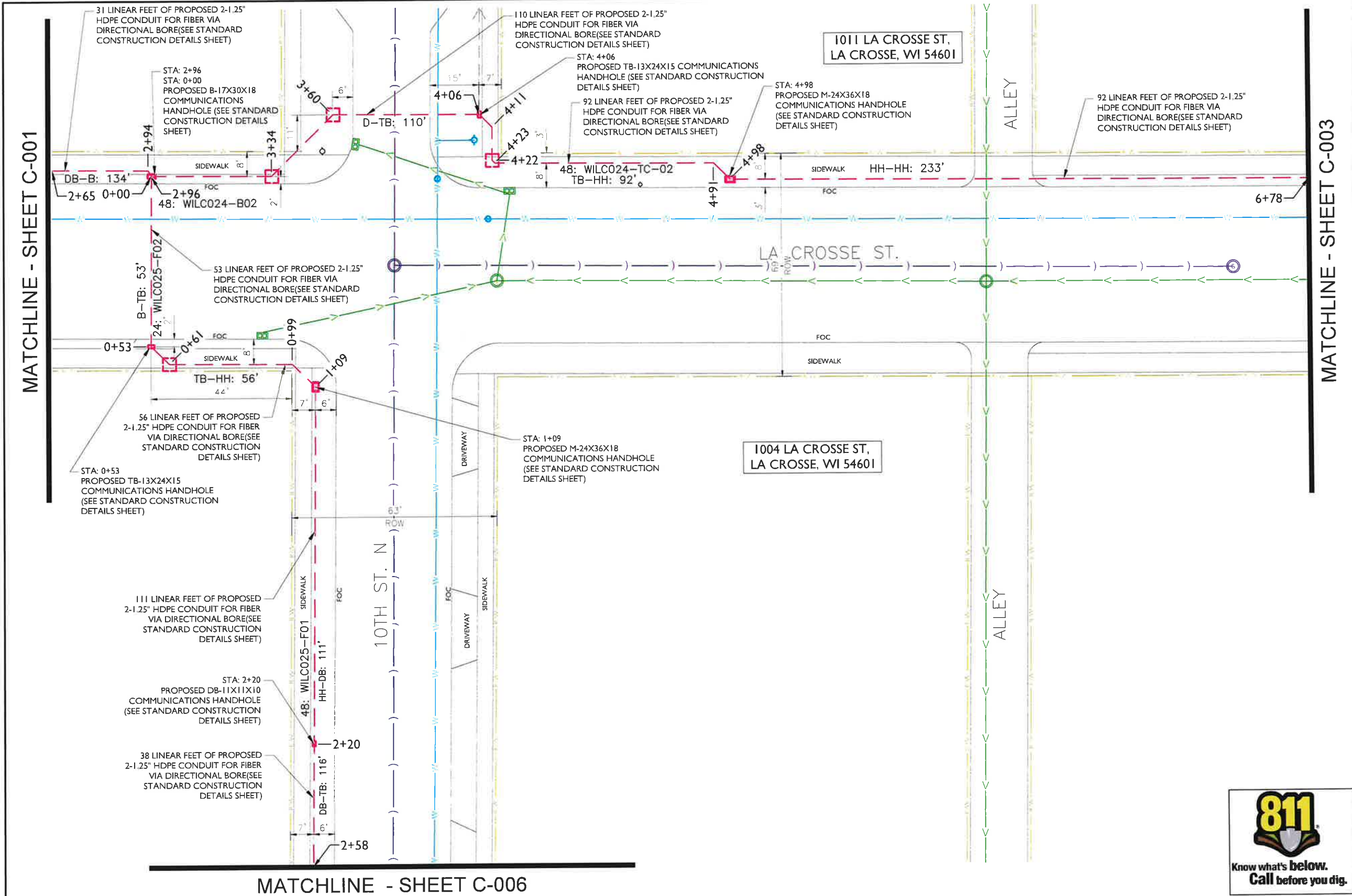
GRID NUMBER

SHEET NUMBER
C-001



- NOTE:
- PROPOSED CONDUIT SHALL AVOID EXISTING SEEPAGE BEDS
 - BURY AT 24" MIN. UNDER SOFT SURFACE-BURY AT 36" MIN. UNDER HARD SURFACE
 - MAINTAIN 1' FROM BACK OF SIDEWALK, WHEN APPLICABLE.

- NOTE:
- METRONET WILL MAINTAIN 5' CLEARANCE FROM EXISTING INLETS, MANHOLES, VALVES, AND FIRE HYDRANTS & 7.5' CLEARANCE FROM MANHOLES AND CATCH BASINS.



metronet

3701 COMMUNICATIONS WAY
EVANSVILLE, IN, 47715

Fullerton
DESIGN DEVELOP CONSTRUCT

1100 E. WOODFIELD ROAD, SUITE 500
SCHAUMBURG, ILLINOIS 60173
TEL: 847-908-8400
DESIGN FIRM NO. 184.008202-0006
www.fullerton-us.com

REV	DATE	DESCRIPTION	BY
A	10/05/23	ISSUED FOR REVIEW	NS

I HEREBY CERTIFY THAT THESE DRAWINGS WERE PREPARED BY ME OR UNDER MY DIRECT SUPERVISION AND CONTROL, AND TO THE BEST OF MY KNOWLEDGE AND BELIEF COMPLY WITH THE REQUIREMENTS OF ALL APPLICABLE CODES.

TASK NAME
WILC025-U-S4

TASK DESCRIPTION
FIBER OPTIC CONDUIT PLACEMENT

PROJECT AREA
LACROSSE, WI, USA

SHEET SCALE
1" = 30'-0"

SHEET TITLE
DESIGN LAYOUT

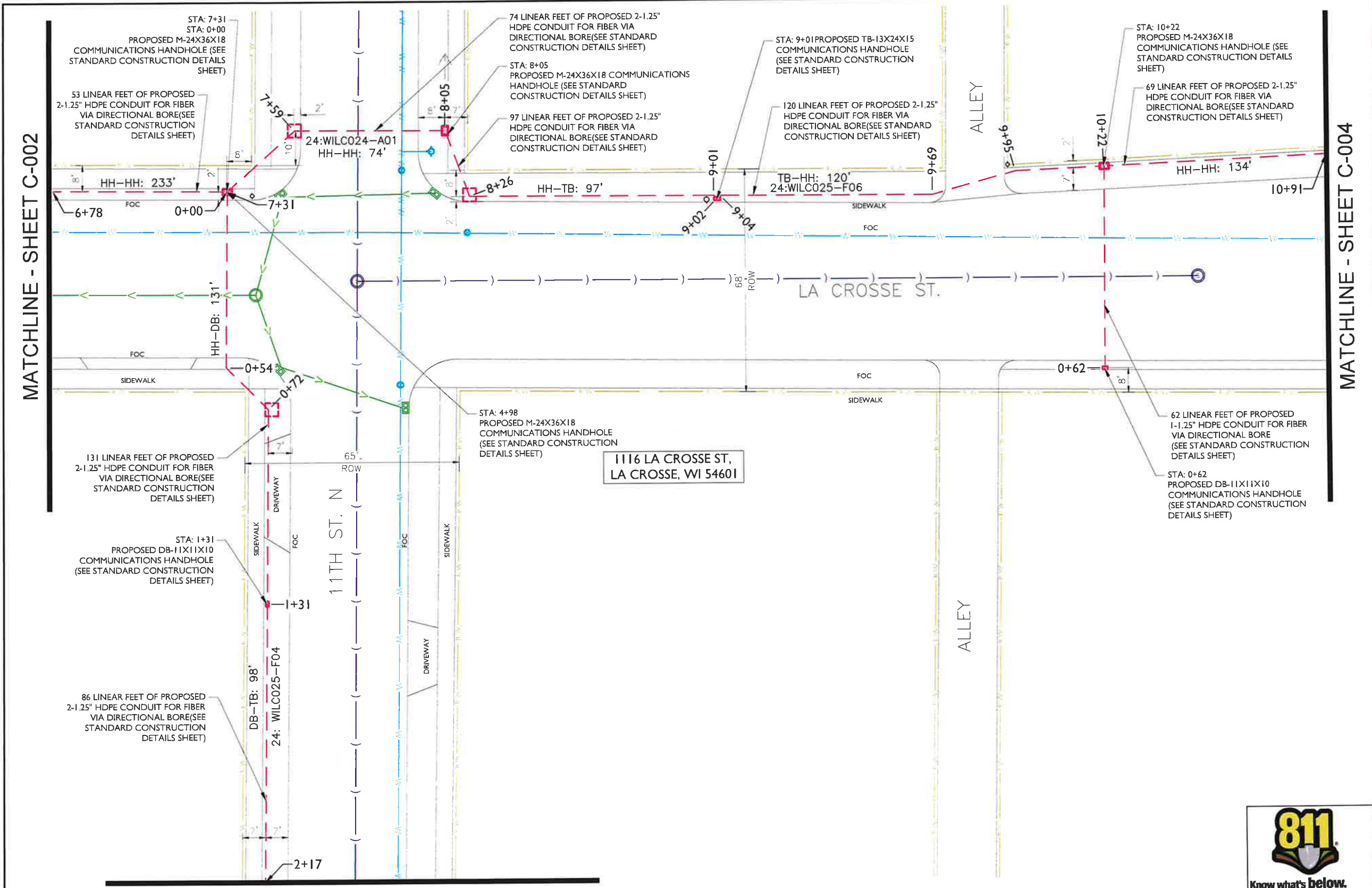
GRID NUMBER

SHEET NUMBER
C-002



- NOTE:
- PROPOSED CONDUIT SHALL AVOID EXISTING SEEPAGE BEDS
 - BURY AT 24" MIN. UNDER SOFT SURFACE-BURY AT 36" MIN. UNDER HARD SURFACE
 - MAINTAIN 1' FROM BACK OF SIDEWALK, WHEN APPLICABLE.

NOTE:
METRONET WILL MAINTAIN 5' CLEARANCE FROM EXISTING INLETS, MANHOLES, VALVES, AND FIRE HYDRANTS & 7.5' CLEARANCE FROM MANHOLES AND CATCH BASINS.



MATCHLINE - SHEET C-002

MATCHLINE - SHEET C-004

1116 LA CROSSE ST,
LA CROSSE, WI 54601

MATCHLINE - SHEET C-007



3701 COMMUNICATIONS WAY
EVANSVILLE, IN, 47715



1100 E WOODFIELD ROAD, SUITE 500
SCHAUMBURG, ILLINOIS 60173
TEL: 847-908-8400
DESIGN FIRM NO. 184.008202-0006
www.fullerton-us.com

REV	DATE	DESCRIPTION	BY
A	10/05/23	ISSUED FOR REVIEW	NS

I HEREBY CERTIFY THAT THESE DRAWINGS WERE PREPARED BY ME OR UNDER MY DIRECT SUPERVISION AND CONTROL, AND TO THE BEST OF MY KNOWLEDGE AND BELIEF COMPLY WITH THE REQUIREMENTS OF ALL APPLICABLE CODES.

TASK NAME
WILC025-U-S4

TASK DESCRIPTION
FIBER OPTIC CONDUIT PLACEMENT

PROJECT AREA
LACROSSE, WI, USA

SHEET SCALE
1" = 30'-0"

SHEET TITLE
DESIGN LAYOUT

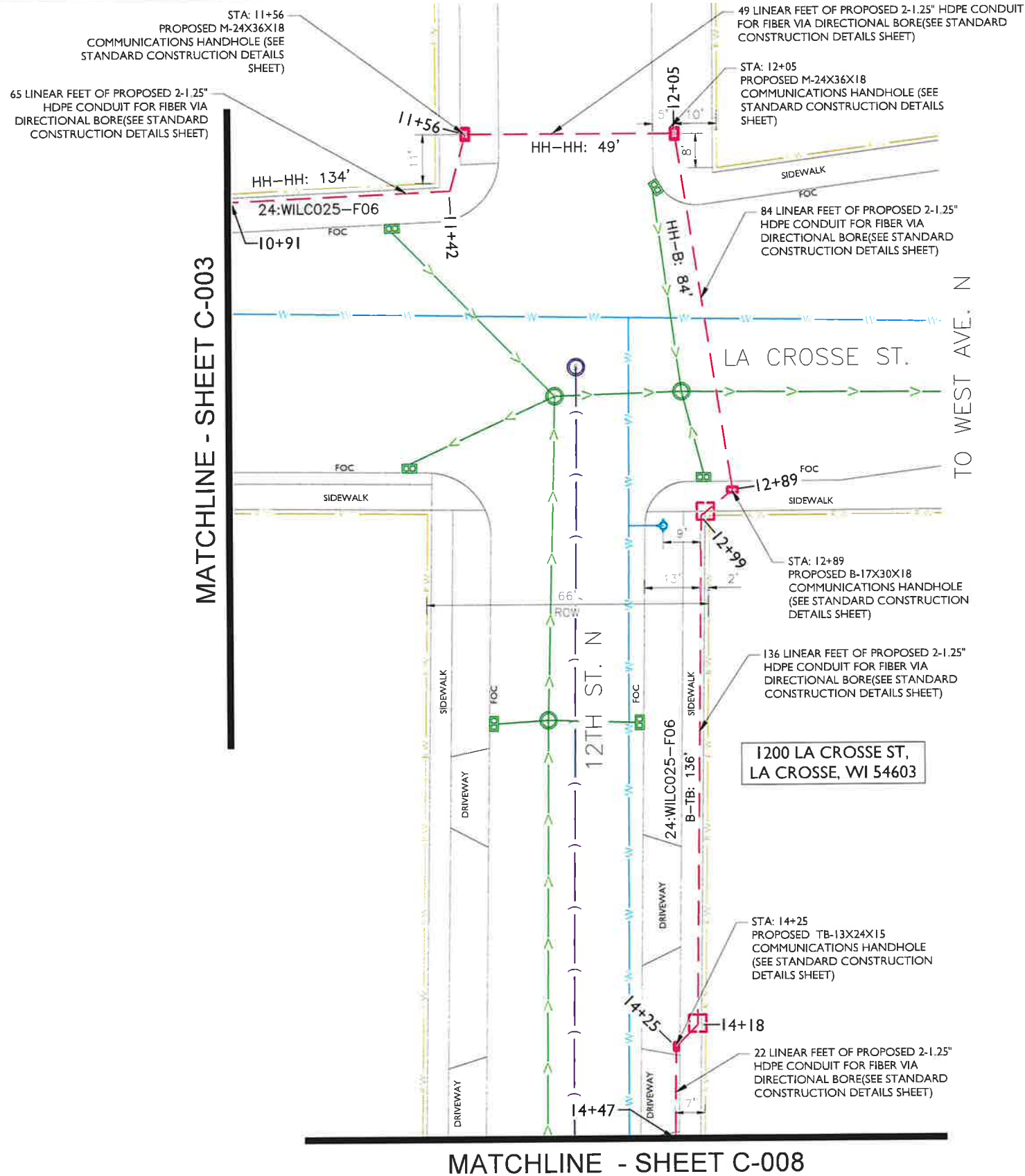
GRID NUMBER

SHEET NUMBER
C-003



- NOTE:
- PROPOSED CONDUIT SHALL AVOID EXISTING SEEPAGE BEDS
 - BURY AT 24" MIN. UNDER SOFT SURFACE-BURY AT 36" MIN. UNDER HARD SURFACE
 - MAINTAIN 1' FROM BACK OF SIDEWALK, WHEN APPLICABLE.

- NOTE:
- METRONET WILL MAINTAIN 5' CLEARANCE FROM EXISTING INLETS, MANHOLES, VALVES, AND FIRE HYDRANTS & 7.5' CLEARANCE FROM MANHOLES AND CATCH BASINS.



metronet
 3701 COMMUNICATIONS WAY
 EVANSVILLE, IN, 47715

Fullerton
 DESIGN · DEVELOP · CONSTRUCT
 1100 E. WOODFIELD ROAD, SUITE 500
 SCHAUMBURG, ILLINOIS 60173
 TEL: 847-908-8400
 DESIGN FIRM NO. 184.008202-0006
 www.fullerton-us.com

REV	DATE	DESCRIPTION	BY
A	10/05/23	ISSUED FOR REVIEW	NS

I HEREBY CERTIFY THAT THESE DRAWINGS WERE PREPARED BY ME OR UNDER MY DIRECT SUPERVISION AND CONTROL, AND TO THE BEST OF MY KNOWLEDGE AND BELIEF COMPLY WITH THE REQUIREMENTS OF ALL APPLICABLE CODES.

TASK NAME
WILC025-U-S4

TASK DESCRIPTION
FIBER OPTIC CONDUIT PLACEMENT

PROJECT AREA
 LACROSSE, WI, USA

SHEET SCALE
 1" = 30'-0"

SHEET TITLE
DESIGN LAYOUT

GRID NUMBER
 C-004

- NOTE:
- PROPOSED CONDUIT SHALL AVOID EXISTING SEEPAGE BEDS
 - BURY AT 24" MIN. UNDER SOFT SURFACE-BURY AT 36" MIN. UNDER HARD SURFACE
 - MAINTAIN 1' FROM BACK OF SIDEWALK, WHEN APPLICABLE.

NOTE:
 METRONET WILL MAINTAIN 5' CLEARANCE FROM EXISTING INLETS, MANHOLES, VALVES, AND FIRE HYDRANTS & 7.5' CLEARANCE FROM MANHOLES AND CATCH BASINS.



MATCHLINE - SHEET C-001

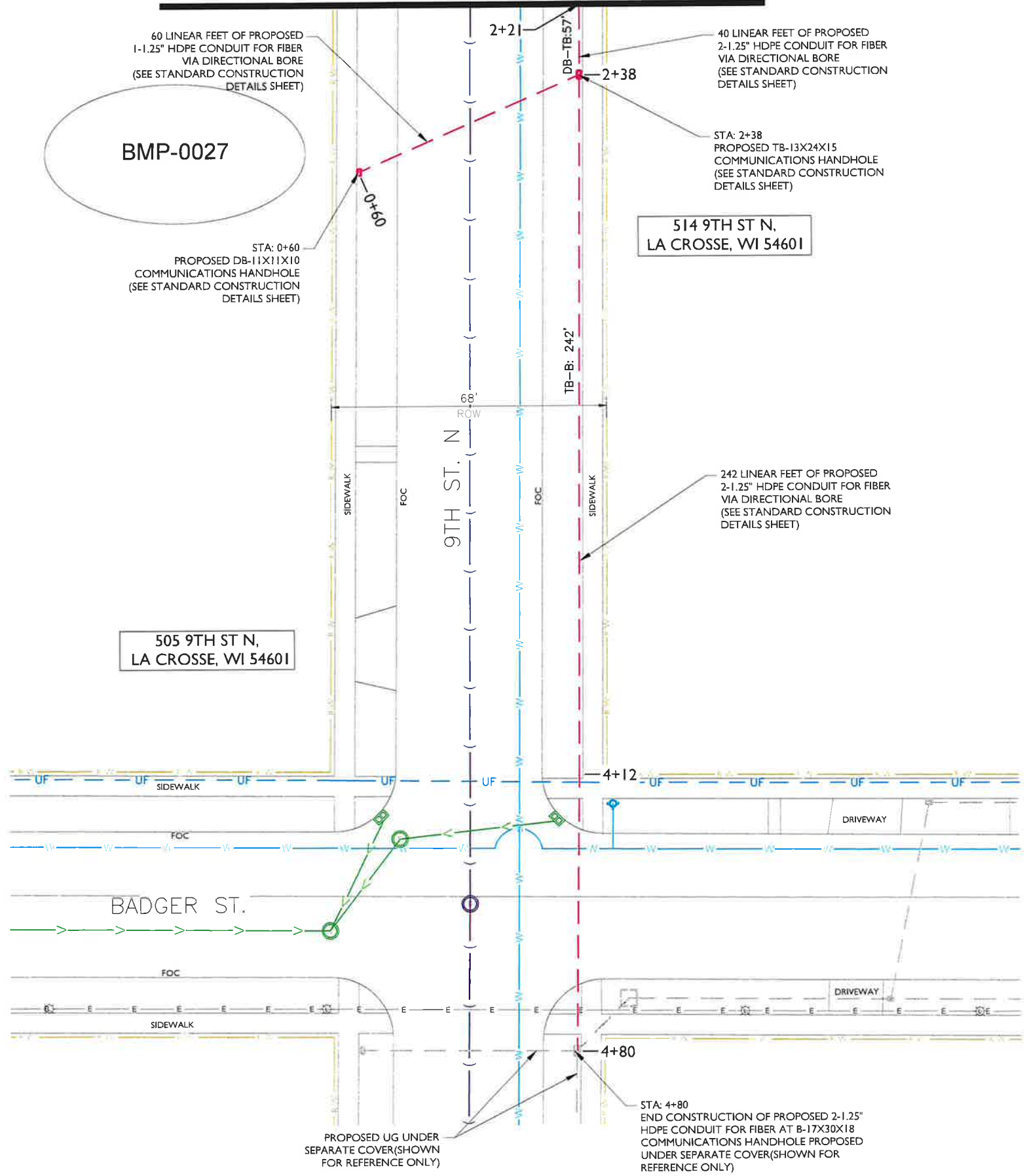


metronet

3701 COMMUNICATIONS WAY
EVANSVILLE, IN, 47715

Fullerton
DESIGN DEVELOP CONSTRUCT

1100 E. WOODFIELD ROAD, SUITE 500
SCHAUMBURG, ILLINOIS 60173
TEL: 847-908-8400
DESIGN FIRM NO. 184.008202-0006
www.fullerton-us.com



REV	DATE	DESCRIPTION	BY
A	10/05/23	ISSUED FOR REVIEW	NS

I HEREBY CERTIFY THAT THESE DRAWINGS WERE PREPARED BY ME OR UNDER MY DIRECT SUPERVISION AND CONTROL, AND TO THE BEST OF MY KNOWLEDGE AND BELIEF COMPLY WITH THE REQUIREMENTS OF ALL APPLICABLE CODES.

TASK NAME
WILC025-U-S4

TASK DESCRIPTION
FIBER OPTIC CONDUIT PLACEMENT

PROJECT AREA
LACROSSE, WI, USA

SHEET SCALE
1" = 30'-0"

SHEET TITLE
DESIGN LAYOUT

GRID NUMBER

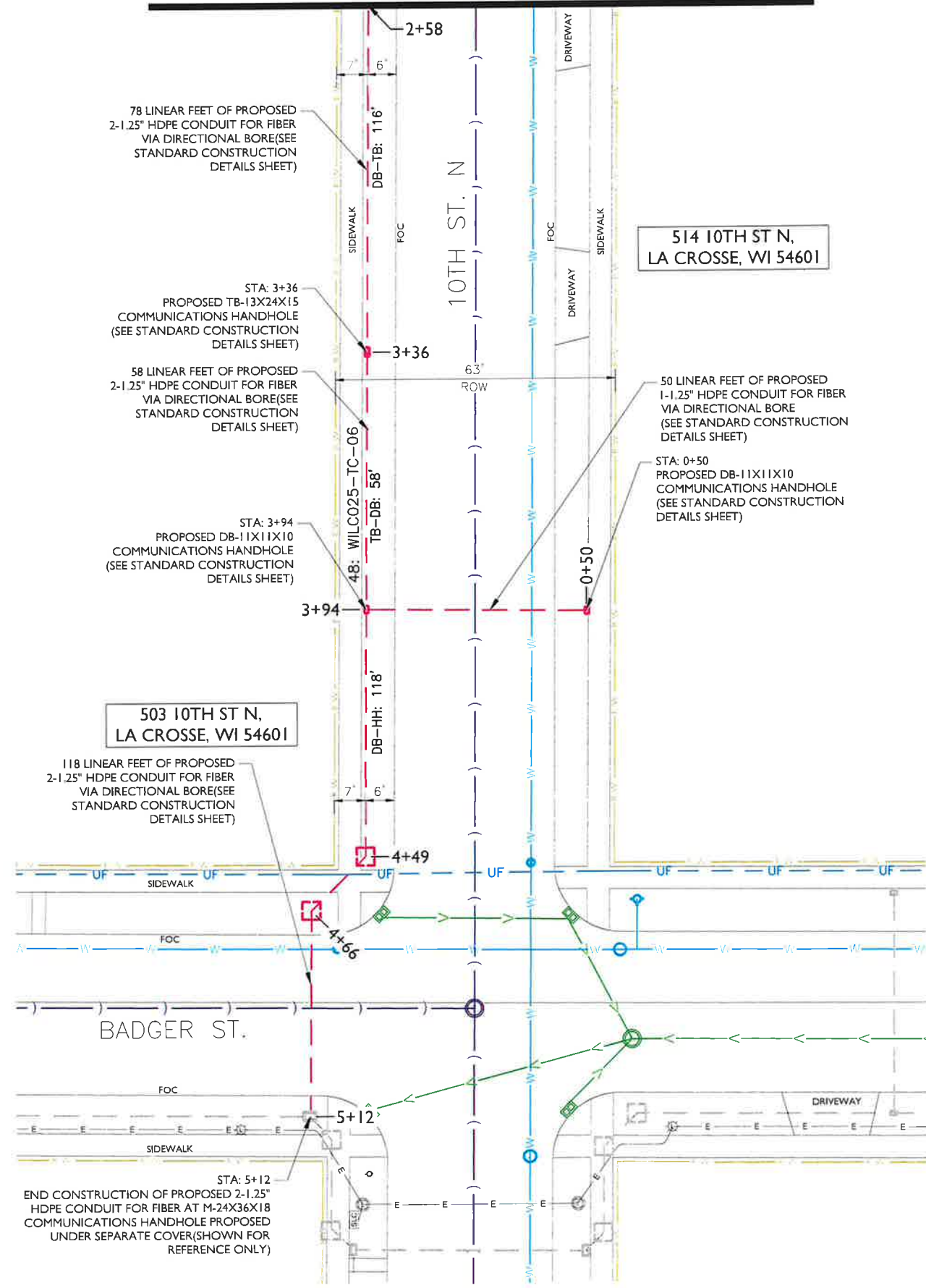
SHEET NUMBER
C-005

- NOTE:
- PROPOSED CONDUIT SHALL AVOID EXISTING SEEPAGE BEDS
 - BURY AT 24" MIN. UNDER SOFT SURFACE-BURY AT 36" MIN. UNDER HARD SURFACE
 - MAINTAIN 1' FROM BACK OF SIDEWALK, WHEN APPLICABLE.

NOTE:
METRONET WILL MAINTAIN 5' CLEARANCE FROM EXISTING INLETS, MANHOLES, VALVES, AND FIRE HYDRANTS & 7.5' CLEARANCE FROM MANHOLES AND CATCH BASINS.



MATCHLINE - SHEET C-002



metronet
3701 COMMUNICATIONS WAY
EVANSVILLE, IN. 47715

Fullerton
DESIGN · DEVELOP · CONSTRUCT
1100 E. WOODFIELD ROAD, SUITE 500
SCHAUMBURG, ILLINOIS 60173
TEL: 847-908-8400
DESIGN FIRM NO. 184.008202-0006
www.fullerton-us.com

REV	DATE	DESCRIPTION	BY
A	10/05/23	ISSUED FOR REVIEW	NS

I HEREBY CERTIFY THAT THESE DRAWINGS WERE PREPARED BY ME OR UNDER MY DIRECT SUPERVISION AND CONTROL, AND TO THE BEST OF MY KNOWLEDGE AND BELIEF COMPLY WITH THE REQUIREMENTS OF ALL APPLICABLE CODES.

TASK NAME
WILC025-U-S4

TASK DESCRIPTION
FIBER OPTIC CONDUIT PLACEMENT

PROJECT AREA
LACROSSE, WI, USA

SHEET SCALE
1" = 30'-0"

SHEET TITLE
DESIGN LAYOUT

GRID NUMBER

SHEET NUMBER
C-006

- NOTE:
- PROPOSED CONDUIT SHALL AVOID EXISTING SEEPAGE BEDS
 - BURY AT 24" MIN. UNDER SOFT SURFACE-BURY AT 36" MIN. UNDER HARD SURFACE
 - MAINTAIN 1' FROM BACK OF SIDEWALK, WHEN APPLICABLE.

NOTE:
METRONET WILL MAINTAIN 5' CLEARANCE FROM EXISTING INLETS, MANHOLES, VALVES, AND FIRE HYDRANTS & 7.5' CLEARANCE FROM MANHOLES AND CATCH BASINS.



MATCHLINE - SHEET C-003

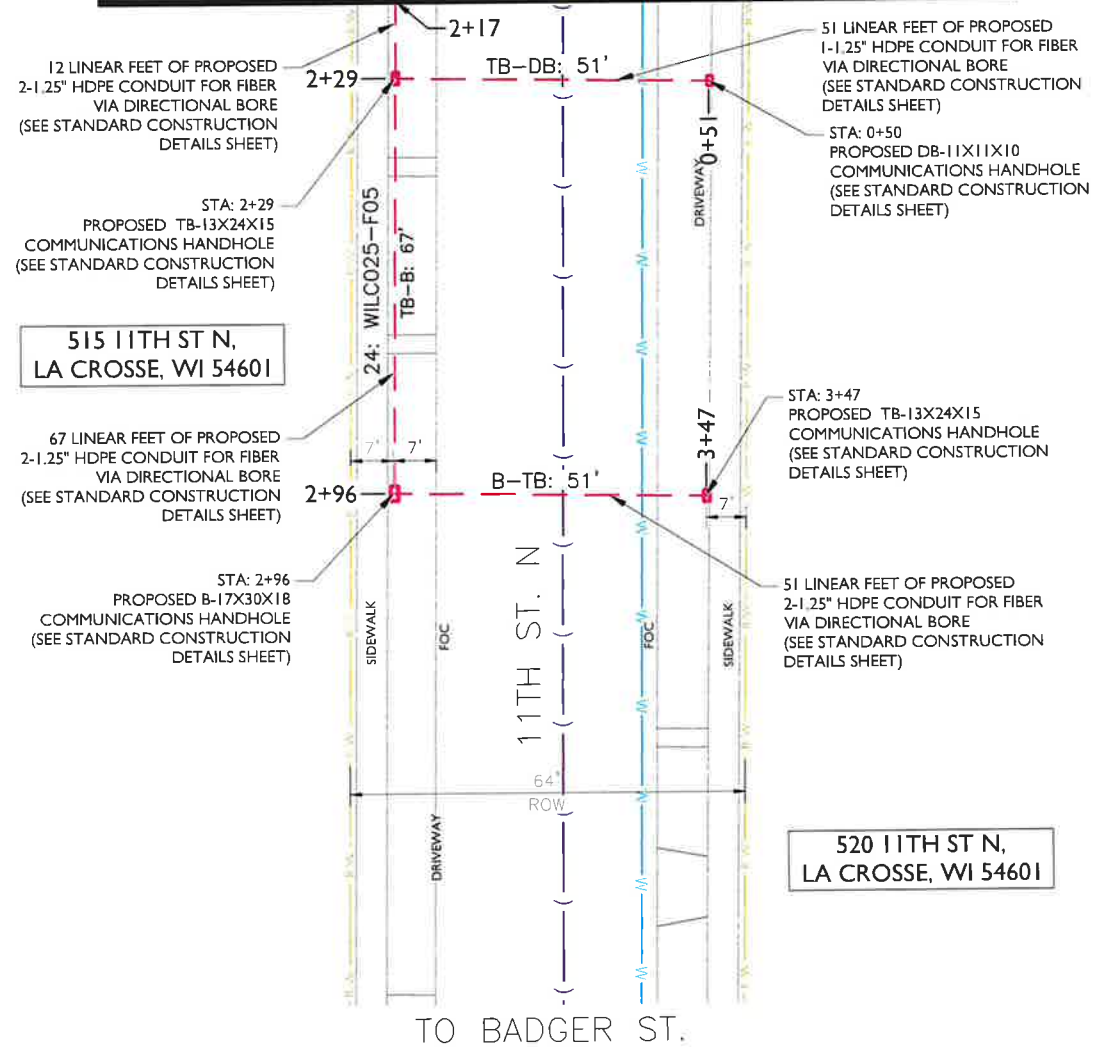


metronet

3701 COMMUNICATIONS WAY
EVANSVILLE, IN, 47715



1100 E. WOODFIELD ROAD, SUITE 500
SCHAUMBURG, ILLINOIS 60173
TEL: 847-908-8400
DESIGN FIRM NO. 184.008202-0006
www.fullerton-us.com



REV	DATE	DESCRIPTION	BY
A	10/05/23	ISSUED FOR REVIEW	NS

I HEREBY CERTIFY THAT THESE DRAWINGS WERE PREPARED BY ME OR UNDER MY DIRECT SUPERVISION AND CONTROL, AND TO THE BEST OF MY KNOWLEDGE AND BELIEF COMPLY WITH THE REQUIREMENTS OF ALL APPLICABLE CODES.

TASK NAME
WILC025-U-S4

TASK DESCRIPTION
FIBER OPTIC CONDUIT PLACEMENT

PROJECT AREA
LACROSSE, WI, USA

SHEET SCALE
1" = 30'-0"

SHEET TITLE
DESIGN LAYOUT

GRID NUMBER

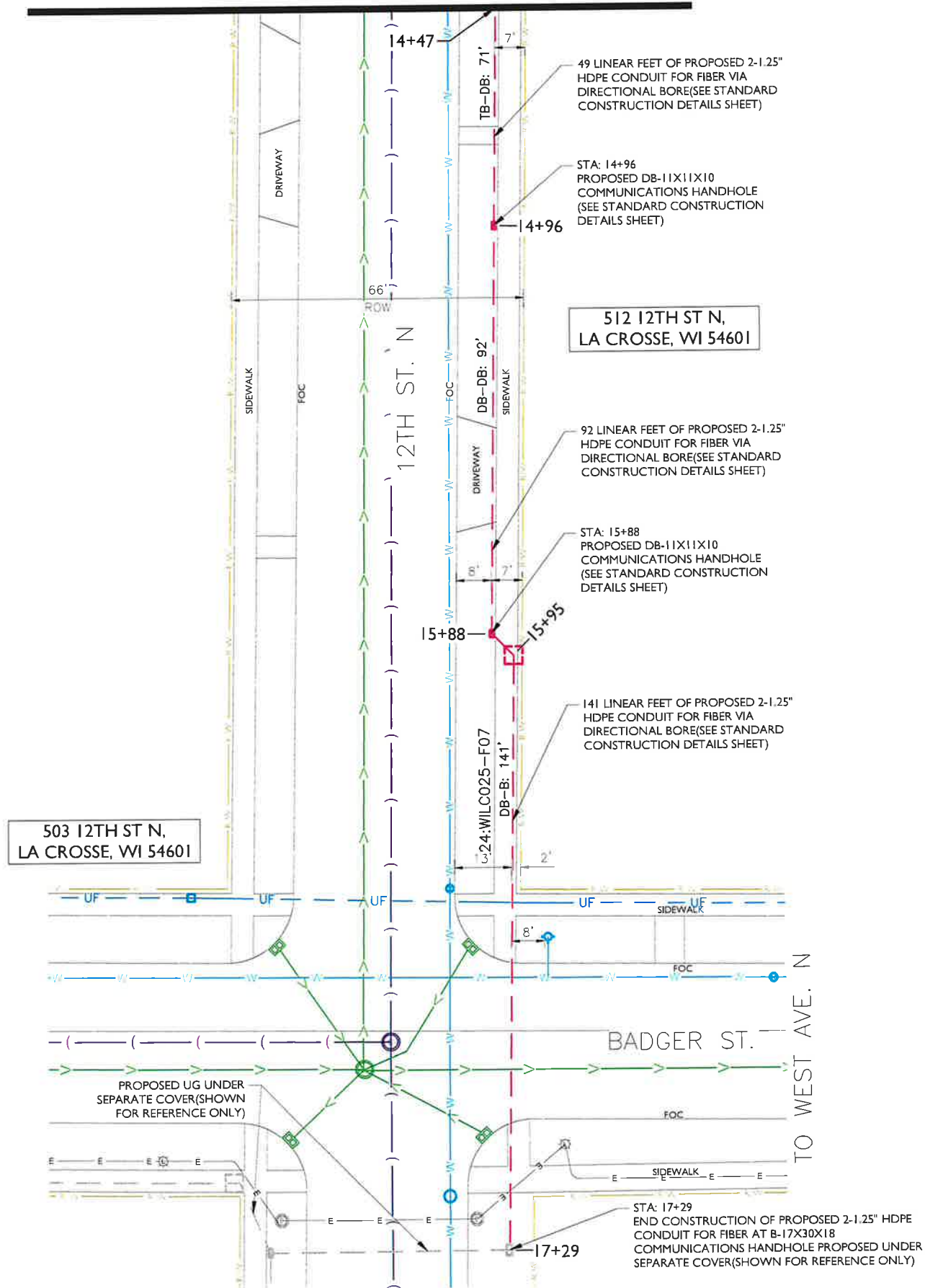
SHEET NUMBER
C-007

- NOTE:
- PROPOSED CONDUIT SHALL AVOID EXISTING SEEPAGE BEDS
 - BURY AT 24" MIN. UNDER SOFT SURFACE-BURY AT 36" MIN. UNDER HARD SURFACE
 - MAINTAIN 1' FROM BACK OF SIDEWALK, WHEN APPLICABLE.

NOTE:
METRONET WILL MAINTAIN 5' CLEARANCE FROM EXISTING INLETS, MANHOLES, VALVES, AND FIRE HYDRANTS & 7.5' CLEARANCE FROM MANHOLES AND CATCH BASINS.



MATCHLINE - SHEET C-004



- NOTE:
- PROPOSED CONDUIT SHALL AVOID EXISTING SEEPAGE BEDS
 - BURY AT 24" MIN. UNDER SOFT SURFACE-BURY AT 36" MIN. UNDER HARD SURFACE
 - MAINTAIN 1' FROM BACK OF SIDEWALK, WHEN APPLICABLE.

NOTE:
 METRONET WILL MAINTAIN 5' CLEARANCE FROM EXISTING INLETS, MANHOLES, VALVES, AND FIRE HYDRANTS & 7.5' CLEARANCE FROM MANHOLES AND CATCH BASINS.



metronet
 3701 COMMUNICATIONS WAY
 EVANSVILLE, IN, 47715

Fullerton
 DESIGN DEVELOP CONSTRUCT
 1100 E. WOODFIELD ROAD, SUITE 500
 SCHAUMBURG, ILLINOIS 60173
 TEL: 847-908-8400
 DESIGN FIRM NO. 184.008202-0006
 www.fullerton-us.com

REV	DATE	DESCRIPTION	BY
A	10/05/23	ISSUED FOR REVIEW	NS

I HEREBY CERTIFY THAT THESE DRAWINGS WERE PREPARED BY ME OR UNDER MY DIRECT SUPERVISION AND CONTROL, AND TO THE BEST OF MY KNOWLEDGE AND BELIEF COMPLY WITH THE REQUIREMENTS OF ALL APPLICABLE CODES.

TASK NAME
WILC025-U-S4

TASK DESCRIPTION
FIBER OPTIC CONDUIT PLACEMENT

PROJECT AREA
 LACROSSE, WI, USA

SHEET SCALE
 1" = 30'-0"

SHEET TITLE
DESIGN LAYOUT

GRID NUMBER

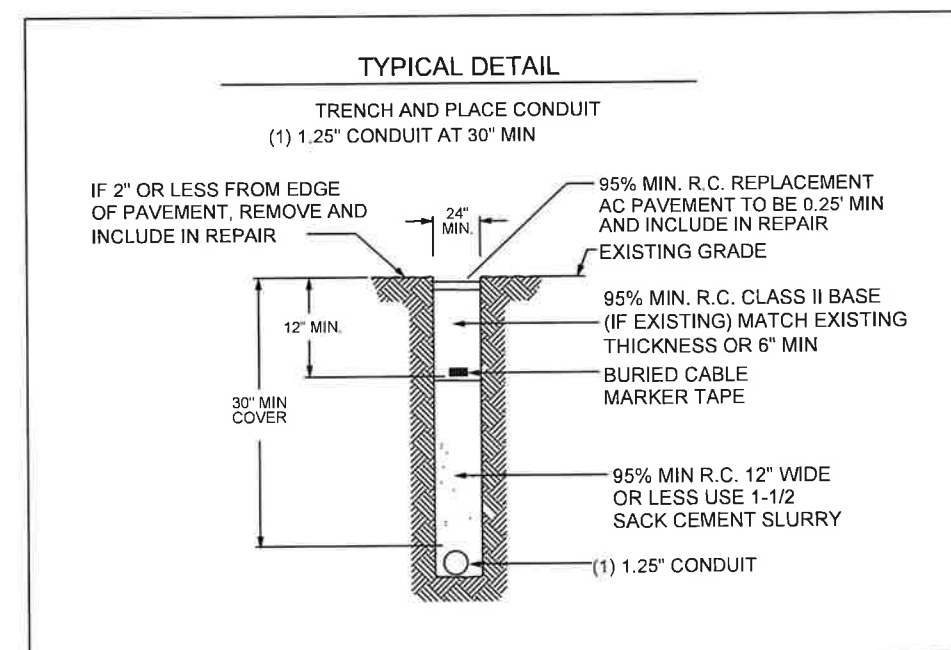
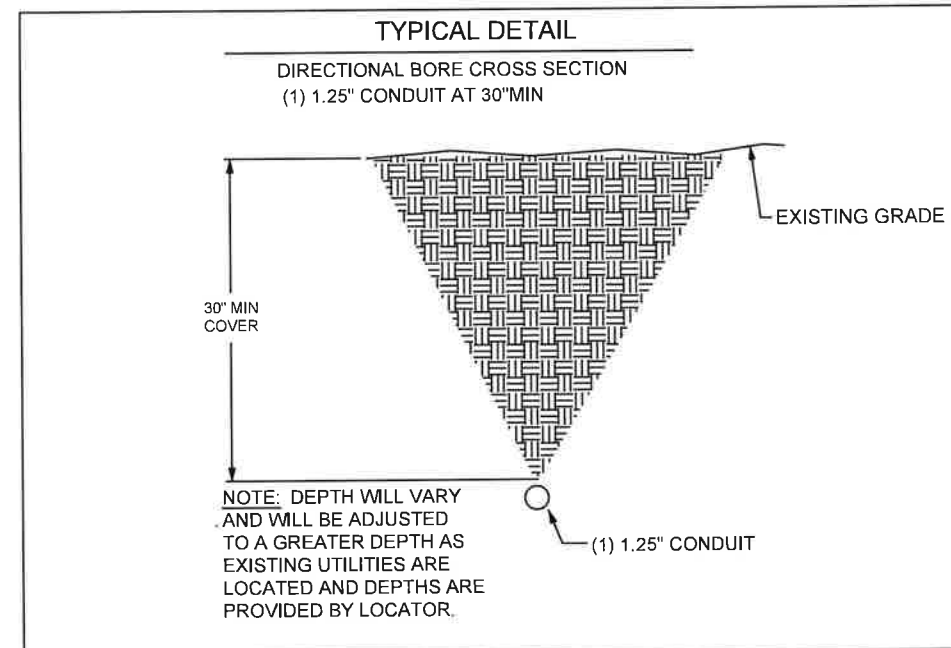
SHEET NUMBER
C-008

ADDITIONAL NOTES:

1. EXCEPT AS OTHERWISE NOTED, CONTRACTOR SHALL MAINTAIN A MINIMUM OF 24 INCHES OF SEPARATION FROM EXISTING UTILITIES.
2. CONTRACTOR SHALL POTHOLE EACH UTILITY TO DETERMINE SIZE, LOCATION, AND DEPTH PRIOR TO CROSSING.
3. CONTRACTOR IS CAUTIONED TO PROTECT SEWER MANHOLES, CATCH BASINS, LATERALS AND INLETS.
4. CONTRACTOR WILL PROVIDE BARRICADING TO INSURE CORRECT TRAFFIC CONTROL WHILE MAINTAINING VEHICULAR TRAFFIC AT ALL TIMES.
5. RESTORATION TO BE IN COMPLIANCE WITH APPLICABLE PERMITTING AGENCIES.
6. BONDING AND GROUNDING PER NESC.

PUBLIC UTILITY NOTE:

CONTRACTOR SHALL NOTIFY ALL PUBLIC UTILITY COMPANIES (GAS, ELECTRIC, TELEPHONE, SEWER, WATER, ETC) PRIOR TO COMMENCING ANY CONSTRUCTION. THESE COMPANIES WILL LOCATE, ON THE GROUND, THE LOCATION OF ALL CONDUITS, DUCTS, UNDERGROUND PIPING, ETC., ADJOINING & CROSSING PROPOSED CONSTRUCTION.



REV	DATE	DESCRIPTION	BY
A	10/05/23	ISSUED FOR REVIEW	NS

I HEREBY CERTIFY THAT THESE DRAWINGS WERE PREPARED BY ME OR UNDER MY DIRECT SUPERVISION AND CONTROL, AND TO THE BEST OF MY KNOWLEDGE AND BELIEF COMPLY WITH THE REQUIREMENTS OF ALL APPLICABLE CODES.

TASK NAME

WILC025-U-S4

TASK DESCRIPTION
**FIBER OPTIC CONDUIT
PLACEMENT**

PROJECT AREA
LACROSSE, WI, USA

SHEET SCALE
N.T.S.

SHEET TITLE
DETAILS

GRID NUMBER

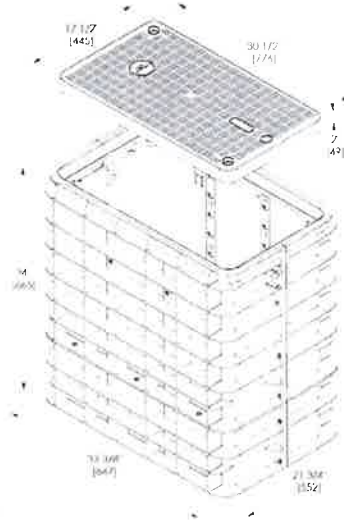
SHEET NUMBER
D-1

BULK 3 Series

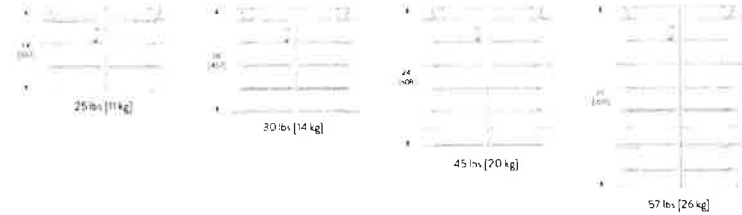
TECHNICAL SPECIFICATIONS

BODY SPECIFICATIONS

Cover Weight 26 lbs [12 kg]
 Pit Weight 63 lbs [29 kg]
 Assembled Weight 89 lbs [41 kg]



ADDITIONAL BODY DEPTHS

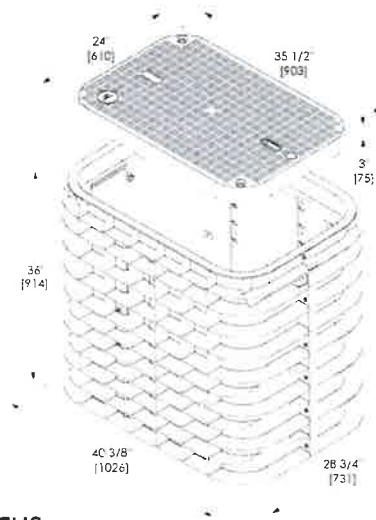


BULK 4 Series

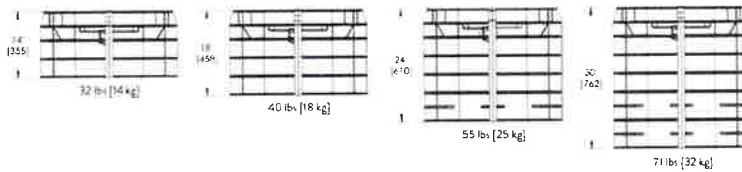
TECHNICAL SPECIFICATIONS

BODY SPECIFICATIONS

Cover Weight 50 lbs [23 kg]
 Pit Weight 82 lbs [37 kg]
 Assembled Weight 132 lbs [60 kg]



ADDITIONAL BODY DEPTHS

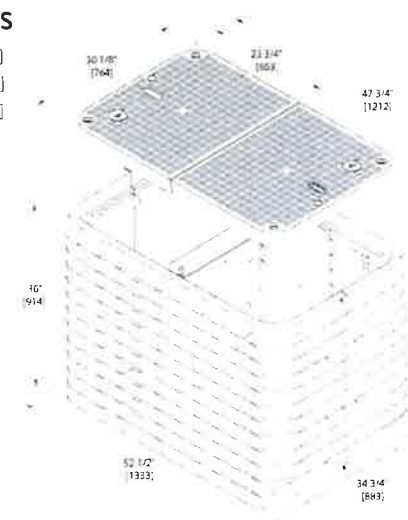


BULK 7 Series

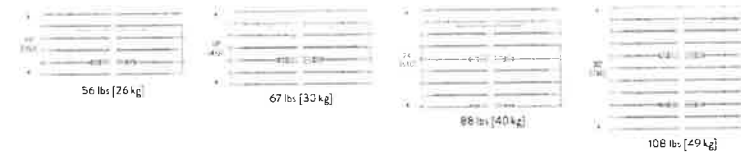
TECHNICAL SPECIFICATIONS

BODY SPECIFICATIONS

Cover Weight (54x12 Cover) 50 lbs [23 kg]
 Pit Weight 129 lbs [59 kg]
 Assembled Weight 229 lbs [105 kg]



ADDITIONAL BODY DEPTHS



metronet

3701 COMMUNICATIONS WAY
 EVANSVILLE, IN, 47715

Fullerton
 DESIGN. DEVELOP. CONSTRUCT.

1100 E WOODFIELD ROAD, SUITE 500
 SCHAUMBURG, ILLINOIS 60173
 TEL: 847-908-8400
 DESIGN FIRM NO. 184.008202-0006
 www.fullerton-us.com

REV	DATE	DESCRIPTION	BY
A	10/05/23	ISSUED FOR REVIEW	NS

I HEREBY CERTIFY THAT THESE DRAWINGS WERE PREPARED BY ME OR UNDER MY DIRECT SUPERVISION AND CONTROL, AND TO THE BEST OF MY KNOWLEDGE AND BELIEF COMPLY WITH THE REQUIREMENTS OF ALL APPLICABLE CODES.

TASK NAME
WILC025-U-S4

TASK DESCRIPTION
FIBER OPTIC CONDUIT PLACEMENT

PROJECT AREA
 LACROSSE, WI, USA

SHEET SCALE
 N.T.S.

SHEET TITLE
DETAILS

GRID NUMBER

SHEET NUMBER
D-2

SGLB-0 NEW SIGNATURE SERIES GRADE LEVEL BOX WITH **SELFLOCK™** PROTECTION



SIMPLE AND WORRY FREE PROTECTION



SELFLOCK closes and seals with audible "Click"

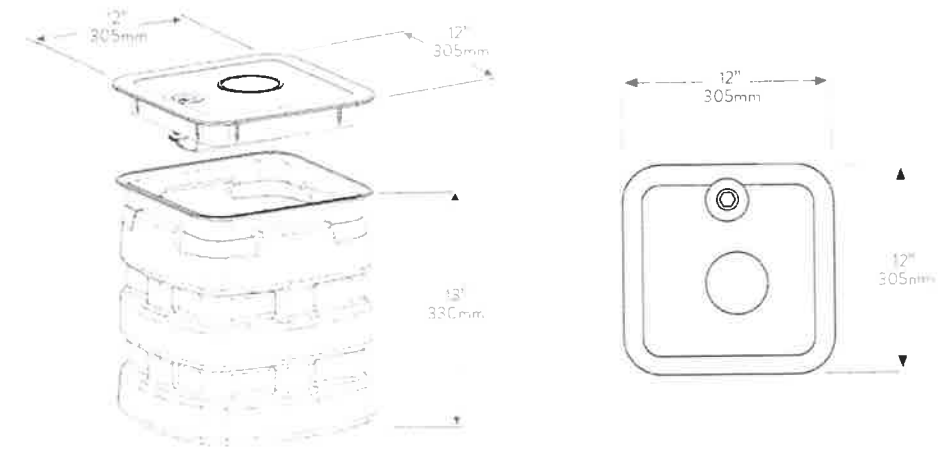


Captive bolt device opens with only 1/4 turn



Shown with Optional Marker Locate Device

DIMENSIONS



SELFLOCK™

The New Signature Series SGLB High Density Polyethylene (HDPE) grade level box line come standard with Logo Disk and the Patented **SELFLOCK™** automatic locking mechanism.

FEATURES

- 13" (330mm) Depth
- No bolts to be lost, misplaced, or not installed back into the unit

- Captive bolt device, that opens with a 1/4 turn
- Press/Push lid closed, and it will automatically lock in place (with an audible "click")
- Protects your investment, and ensures the needed protection for your network
- Eliminates the risk of lids floating off, being throw be lawnmowers (i.e. reduces potentially liability)



WORLDWIDE HEADQUARTERS: Channell Commercial Corporation, Rockwall, TX, United States • Tel 800.423.1863 • Fax 951.296.2322
 CANADA: Channell Canada, Inc., Mississauga, ON, Canada • Tel 905.565.1700 • Fax 905.565.8282
 EUROPE, MIDDLE EAST, AFRICA: Channell Ltd., Dartford, United Kingdom • Tel 44.1322.312590 • Fax 44.1322.508490
 AUSTRALIA, ASIA, PACIFIC RIM: Channell Pty. Ltd., Seven Hills, NSW, Australia • Tel 61.2.8884.4111 • Fax 61.2.8814.8841
www.channell.com

All specifications subject to change without notice. © 2022 Channell Commercial Corporation. All rights reserved.

040822 FRT



3701 COMMUNICATIONS WAY
EVANSVILLE, IN, 47715



1100 E. WOODFIELD ROAD, SUITE 500
SCHAUMBURG, ILLINOIS 60173
TEL: 847-908-8400
DESIGN FIRM NO. 184.008202-0006
www.fullerton-us.com

REV	DATE	DESCRIPTION	BY
A	10/05/23	ISSUED FOR REVIEW	NS

I HEREBY CERTIFY THAT THESE DRAWINGS WERE PREPARED BY ME OR UNDER MY DIRECT SUPERVISION AND CONTROL, AND TO THE BEST OF MY KNOWLEDGE AND BELIEF COMPLY WITH THE REQUIREMENTS OF ALL APPLICABLE CODES.

TASK NAME
WILC025-U-S4

TASK DESCRIPTION
FIBER OPTIC CONDUIT PLACEMENT

PROJECT AREA
LACROSSE, WI, USA

SHEET SCALE
N.T.S.

SHEET TITLE
DETAILS

GRID NUMBER

SHEET NUMBER
D-3

NOTES:

1. CALL FOR LOCATES AT LEAST 72 HOURS IN ADVANCE OF ANY CONSTRUCTION FOR MARKINGS
2. FOR LABEL AND TAG INFORMATION SEE DRAWING OSP 16
3. THE VAULT W/ BOTTOM ENTRY ELEVATION VIEW SHOWN BELOW ONLY INDICATES THE BACK FILL REQUIREMENTS NECESSARY FOR VAULTS PLACED IN SIDEWALKS, ETC. (WHERE THEY NEED TO COMPLY WITH ADA REQUIREMENTS) TO ENSURE COMPLIANCE WITH CURRENT ADA REQUIREMENTS, THE HEIGHT OF THE BACK FILL IS SHOWN HELD DOWN TO ALLOW CONCRETE TO FLOW DOWN AND AROUND THE LIFTING LOGS/BOOTS WHICH WILL SERVE AS DOWELS INTO THE FINISHED CONCRETE SLAB

ADA REQUIREMENTS:

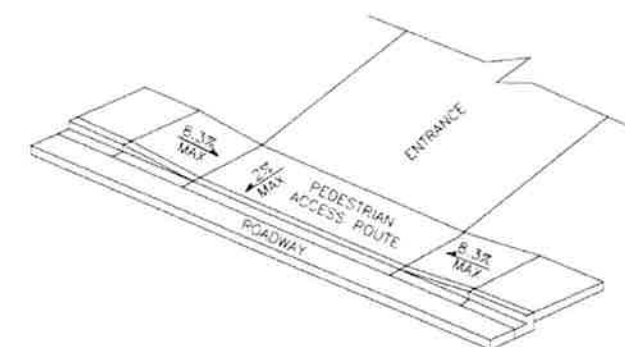
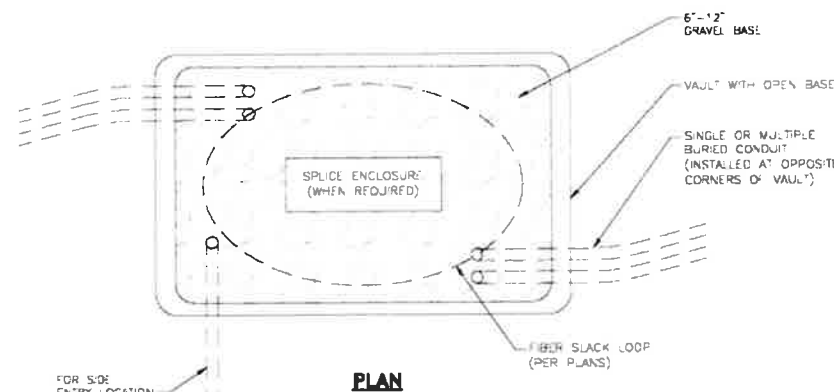
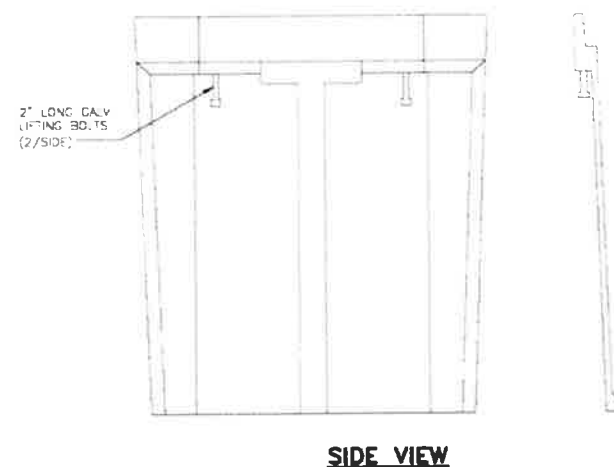
SURFACE LEVEL CRITERIA: NO HEIGHT DIFFERENTIALS WITH A RISE GREATER THAN 1/4" IN HEIGHT. EXCEPTIONS: A HEIGHT DIFFERENTIAL BETWEEN 1/4" AND 1/2" IS ACCEPTABLE IF IT IS BEVELED AT A 2:1 SLOPE, OR A HEIGHT DIFFERENTIAL GREATER THAN 1/2" IS ACCEPTABLE IF IT IS RAMPED WITH A SLOPE OF 8.33% (1V:12H) OR LESS

UTILITY COVERS SHALL HAVE A SLIP RESISTANT TOP, AS MUCH AS POSSIBLE, AND MEET CHANGES IN LEVEL CRITERIA AS STATED ABOVE

LIFT HOLES FOR UTILITY COVERS SHALL NOT HAVE AN OPENING GREATER THAN 1/2" PLUGGING OF HOLES GREATER THAN 1/2" WITH A MATERIAL APPROVED BY THE ENGINEER IS ACCEPTABLE AS LONG AS IT IS FLUSH WITH THE COVER SURFACE

A LEVEL PEDESTRIAN ACCESS ROUTE (PAR) OR WALKWAY SHALL BE PROVIDED ACROSS COMMERCIAL AND RESIDENTIAL ENTRANCES, MEETING THE FOLLOWING CRITERIA:

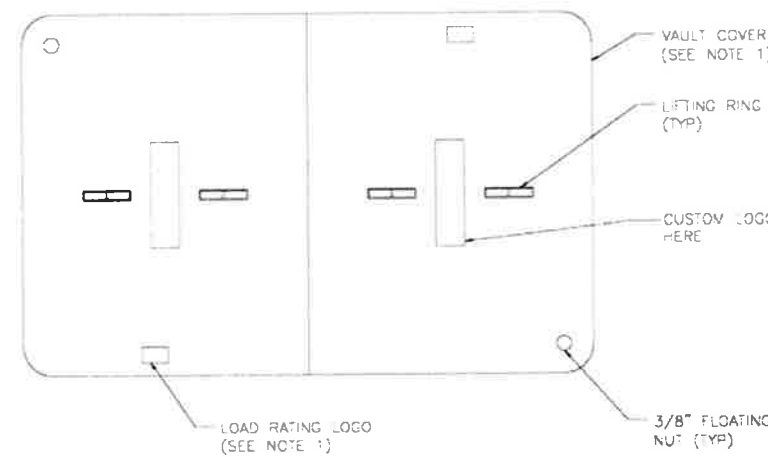
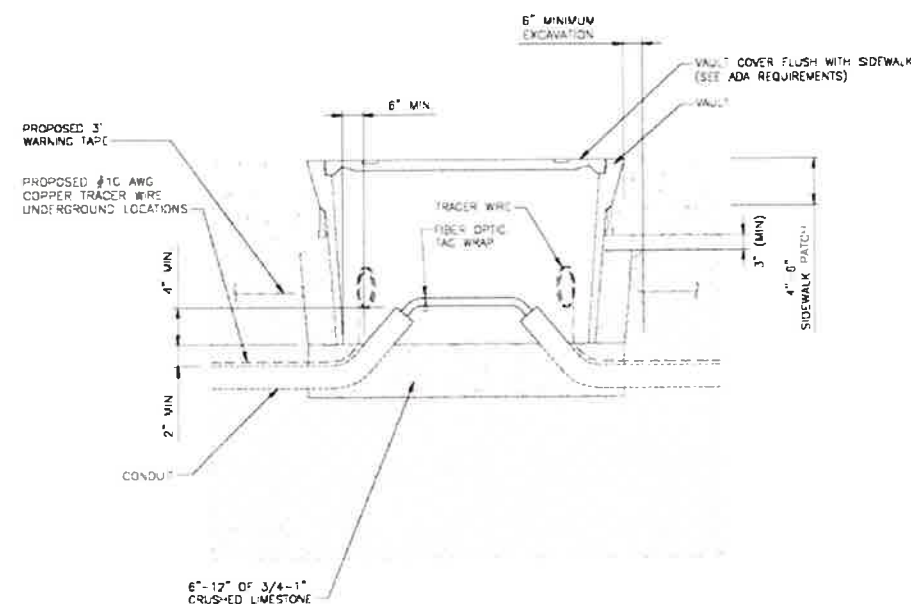
- THE WALKWAY IS AT MINIMUM 3' WIDE
- CROSS SLOPE OF WALKWAY IS 2% OR LESS
- WALKWAY IS AT THE SAME GRADE AS THE ADJACENT ROADWAY
- THE WALKWAY DOES NOT HAVE TO BE MARKED, BUT PROVIDES A STRAIGHT LINE BETWEEN THE ADJOINING SIDEWALKS OR RAMP
- THERE IS NOT AN ABRUPT TRANSITION FROM THE DRIVEWAY TO THE ROADWAY FOR VEHICLES, I.E. VEHICLES WILL NOT BOTTOM OUT WHEN DRIVING OVER THE TRANSITION



NOTE:

1. ENCLOSURES, BOXES AND COVERS ARE REQUIRED TO MEET OR EXCEED ALL TESTS PROVISIONS OF THE MOST CURRENT ANS /SCTE 77-2007 "SPECIFICATIONS FOR UNDERGROUND INTEGRITY" FOR TIER 15 OR BETTER

PEDESTRIAN ACCESS ROUTE



VAULT W/ BOTTOM ENTRY

VAULT LID

REV	DATE	DESCRIPTION	BY
A	10/05/23	ISSUED FOR REVIEW	NS

I HEREBY CERTIFY THAT THESE DRAWINGS WERE PREPARED BY ME OR UNDER MY DIRECT SUPERVISION AND CONTROL, AND TO THE BEST OF MY KNOWLEDGE AND BELIEF COMPLY WITH THE REQUIREMENTS OF ALL APPLICABLE CODES.

TASK NAME	WILC025-U-S4
-----------	--------------

TASK DESCRIPTION	FIBER OPTIC CONDUIT PLACEMENT
------------------	-------------------------------

PROJECT AREA	LACROSSE, WI, USA
--------------	-------------------

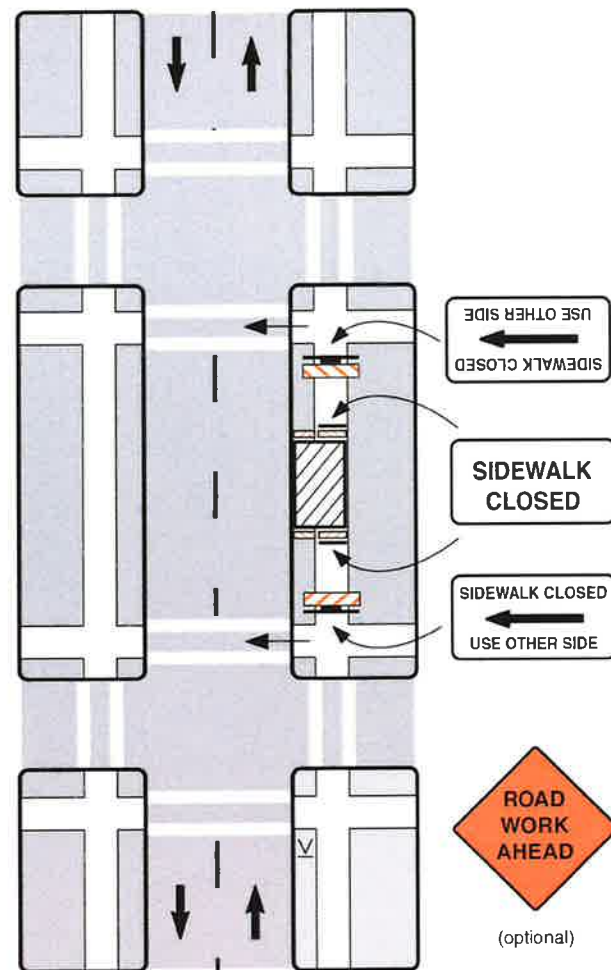
SHEET SCALE	N.T.S.
-------------	--------

SHEET TITLE	DETAILS
-------------	---------

GRID NUMBER	
-------------	--

SHEET NUMBER	D-4
--------------	-----

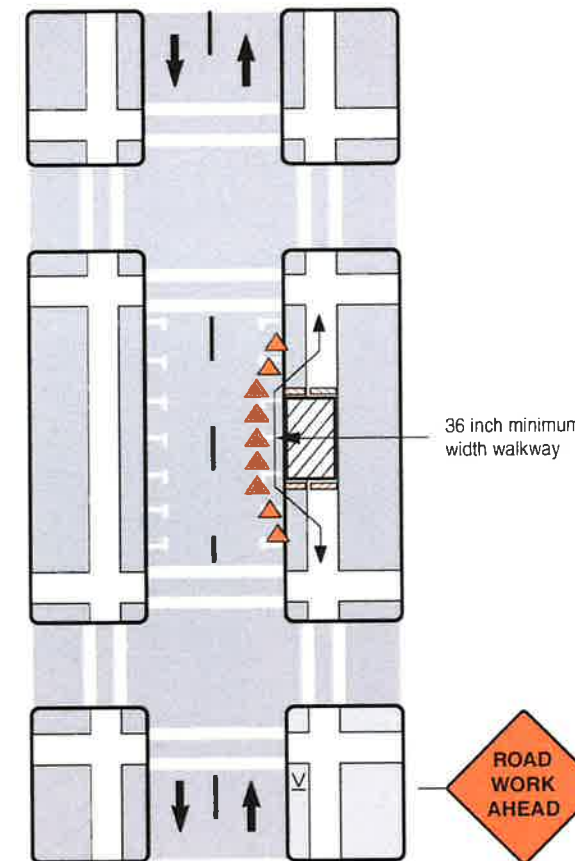
**Sidewalk Closure
(Pedestrian Detour)**



Notes

1. Additional advance warning may be necessary.
2. Only the traffic control devices related to pedestrians are shown. Other devices may be needed to control traffic on the streets such as lane closure signs, ROAD NARROWS or LANE NARROWS signs.
3. For nighttime closures, Type A flashing warning lights may be used on barricades supporting signs and closing walkways.
4. Audible devices should be considered to alert pedestrians with visual disabilities of closings and crosswalk changes.

**Sidewalk Closure
(Pedestrian Walkway Provided)**



Notes

1. Additional advance warning may be necessary.
2. Only the traffic control devices related to pedestrians are shown. Other devices such as lane closure signs, ROAD NARROWS or LANE NARROWS signs may be needed to control traffic on the streets.
3. For nighttime closures, Type A flashing warning lights may be used on barricades supporting signs and closing walkways. Type C or Type D steady-burn lights may be used on channelizing devices separating the temporary walkway from vehicular traffic.
4. Where high speeds are likely, a barrier should separate the temporary walkway from vehicular traffic. Refer to Section 6D.01 of Part 6 of the MUTCD for information on barriers.
5. Signs may be placed along a temporary walkway to guide pedestrians; for example, Keep Right or Keep Left signs.
6. Pedestrian walkways should be ADA accessible (i.e., ramps, surfaces).

REV	DATE	DESCRIPTION	BY
A	10/05/23	ISSUED FOR REVIEW	NS

I HEREBY CERTIFY THAT THESE DRAWINGS WERE PREPARED BY ME OR UNDER MY DIRECT SUPERVISION AND CONTROL, AND TO THE BEST OF MY KNOWLEDGE AND BELIEF COMPLY WITH THE REQUIREMENTS OF ALL APPLICABLE CODES.

TASK NAME
WILC025-U-S4

TASK DESCRIPTION
FIBER OPTIC CONDUIT PLACEMENT

PROJECT AREA
LACROSSE, WI, USA

SHEET SCALE
N.T.S.

SHEET TITLE
TRAFFIC CONTROL STANDARD DETAILS

GRID NUMBER

SHEET NUMBER
TCP-1