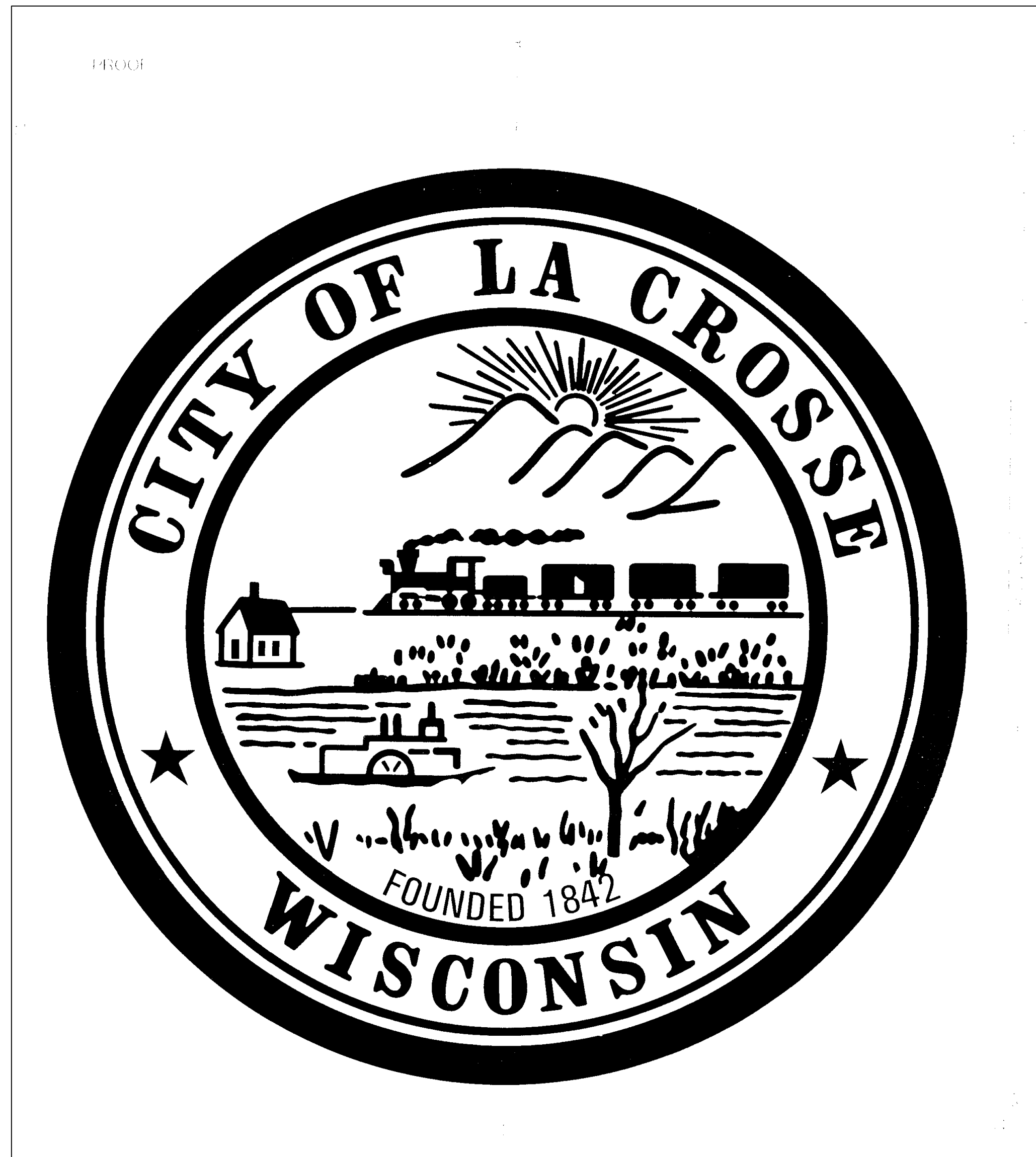


# NON-COMPLIANT SANITARY LATERAL REPLACEMENT - 10TH & KING



EDF # 25-035

PROJECT No. \_\_\_\_\_

LOCATION \_\_\_\_\_

RESOLUTION \_\_\_\_\_ DATE \_\_\_\_\_

**ENGINEERING DEPT.**  
**City of La Crosse, Wis.**

PREPARED BY	BY	DATE
Drafter	JG	01/30/2026
Designer	JO	05/04/2026
Checked by	_____	_____
Approved	_____	_____
Revisions	_____	_____
	_____	_____
	_____	_____
	_____	_____

APPROVED

DATE: \_\_\_\_\_ (Signature)


AUTHORIZED BY CITY ENGINEER

DATE: \_\_\_\_\_ (Signature)

**INDEX**

SHEET #	TITLE
1	COVER SHEET
2	UTILITY
3	REMOVALS AND TRAFFIC
D-6	DETAIL SANITARY SEWER

**BENCHMARKS**  
NAVD 1988  
TOP NUT OF HYDRANT

  
 SCALE: 1"=20' H  
 1"= 2' V  
 ELEVATIONS SHOWN  
 ARE NAVD 1988

10TH S

KARL & GRACE GREEN  
 1003 KING STREET  
 LA CROSSE WI, 54601

JOSEPH & JAMI MATHISON  
 1009 KING STREET  
 LA CROSSE WI, 54601

REMOVE STORM MANHOLE  
 CUT AND CAP 12" STORM MAIN

MAKE NEW LATERAL CONNECTION  
 INTO EXISTING PENETRATION 40' N  
 OF SAN. MANHOLE  
 MORTAR CONNECTION - NO WYE  
 15' DEPTH

INSTALL 30' NEW 4" SANITARY LATERAL

**KING ST**

EDF # 26-035.01 DWG NAME: 10TH & KING ST.dwg




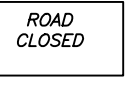
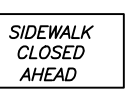
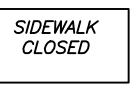
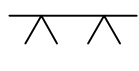

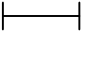

PROJECT No.  
 LOCATION 10TH STREET & KING STREET INTERSECTION  
 RESOLUTION DATE

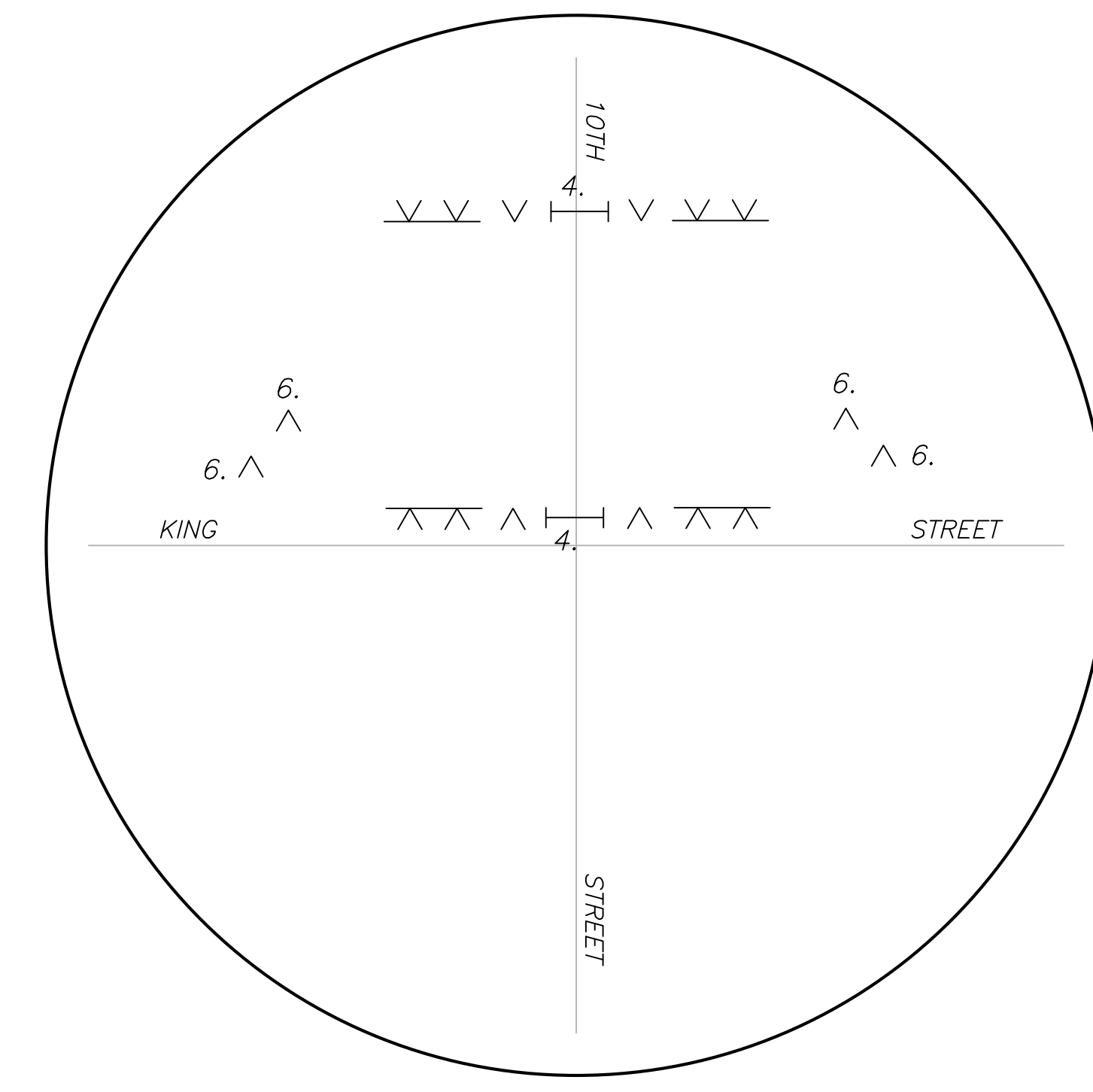
**ENGINEERING DEPT.**  
City of La Crosse, Wis.

FIELD BOOK	SURVEYED	BY	DATE
NUMBER	DRAWN PRELIMINARY	JO	02/13/26
PAGE	CHECKED APPROVED		
	REVISIONS		

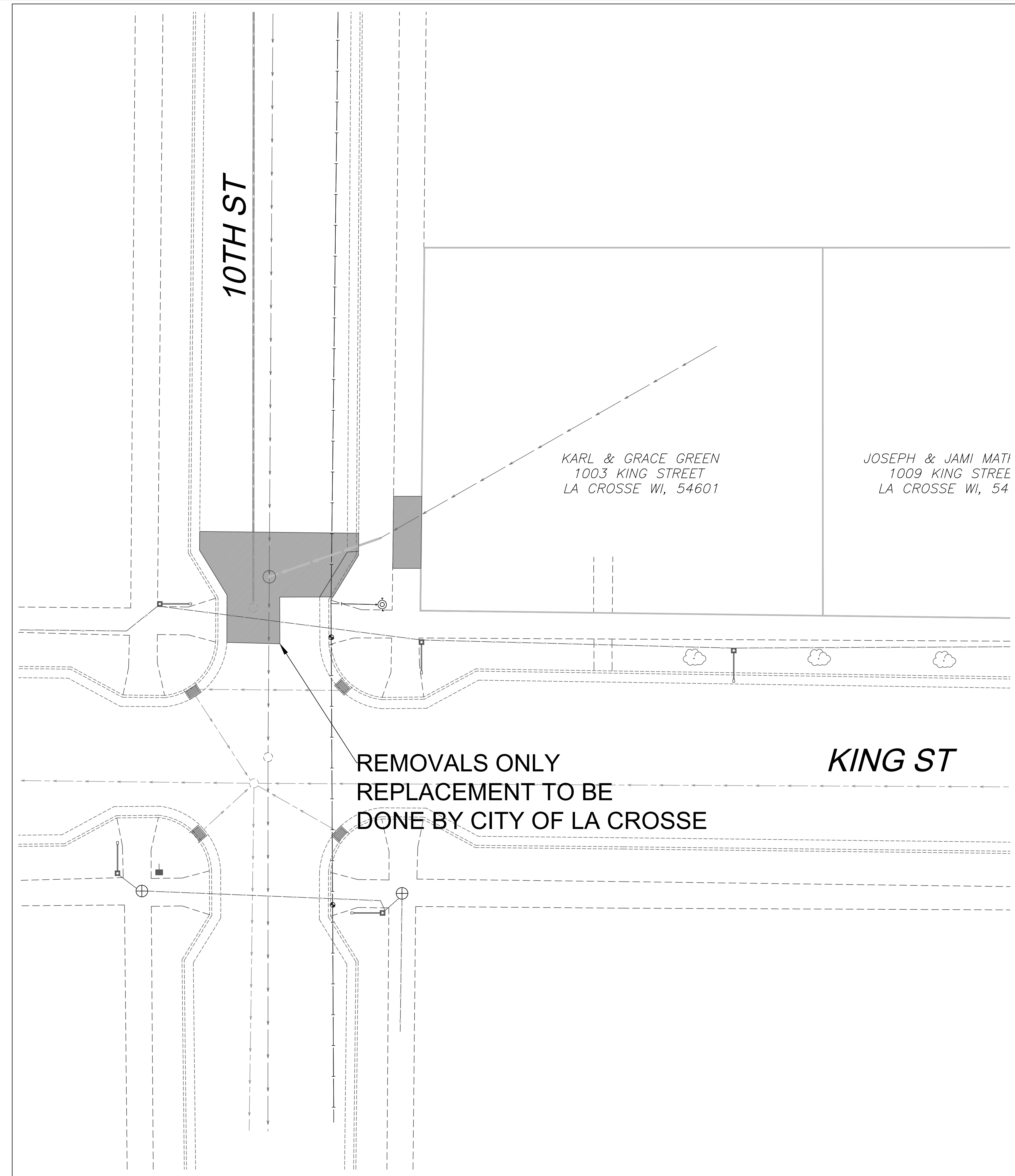
SHEET NO. 2 TOTAL SHEETS 3

LEGEND

- 1.  ROAD WORK AHEAD (O)
- 2.  ROAD CLOSED AHEAD (O)  
W20-3
- 3.  ROAD CLOSED TO THRU TRAFFIC (O)
- 4.  ROAD CLOSED (W)  
R11-2
- 5.  SIDEWALK CLOSED AHEAD (W)
- 6.  SIDEWALK CLOSED (W)
-  SAWBUCK BARRICADE
-  BARREL OR FLASHER BARRICADE
-  TYPE III BARRICADE
-  NIGHT TUBULAR MARKER



TRAFFIC CONTROL  
WORK ZONE INTERSECTION DETAILS

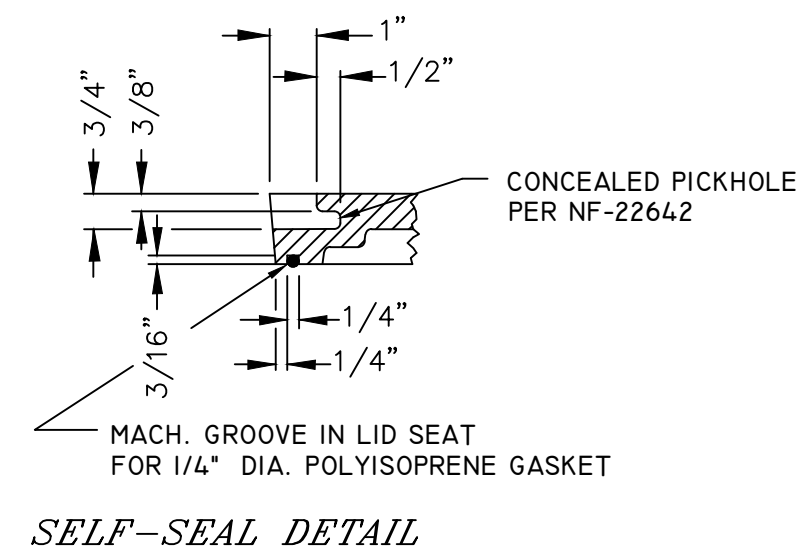


EDF #		DWG NAME:	
PROJECT No.	10TH & KING NON-COMPLIANT SANITARY LATERAL REPLACEMENT		
LOCATION			
RESOLUTION	DATE		
<b>ENGINEERING DEPT.</b> <b>City of La Crosse, Wis.</b>			
FIELD BOOK	SURVEYED	BY	DATE
NUMBER	DRAWN	PRELIMINARY	
	CHECKED	FINAL	.00 02/13/26
PAGE	APPROVED		
	REVISIONS		
SHEET NO.	3		TOTAL SHEETS 3

DRAWING  
NOT TO SCALE

**SEWER PIPE JOINT MATERIALS**

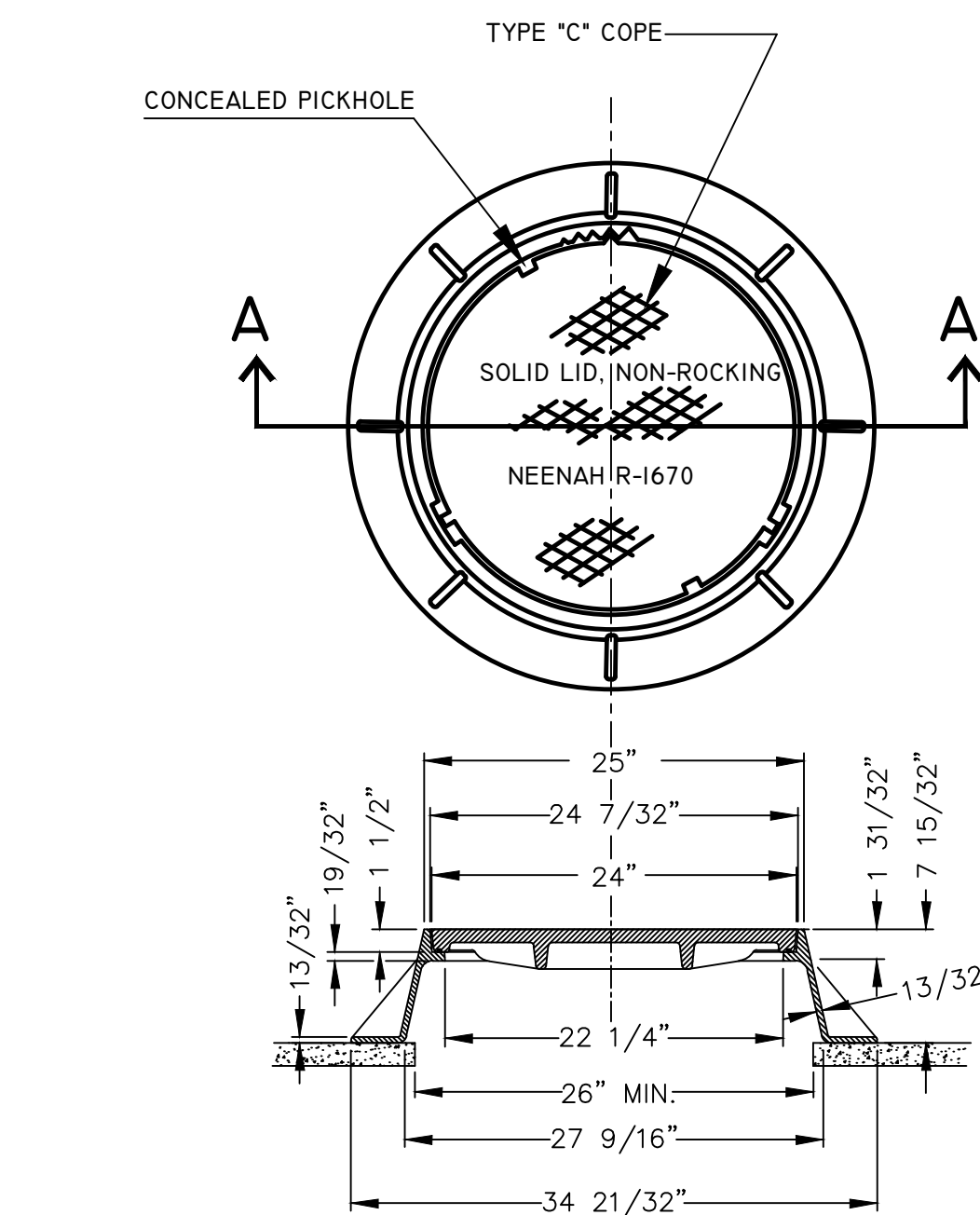
CONCRETE PIPE-RUBBER GASKET (ASTM C-443)  
PVC PIPE- ELASTOMETRIC GASKET (ASTM D-3212 & F-477)



SELF-SEAL DETAIL

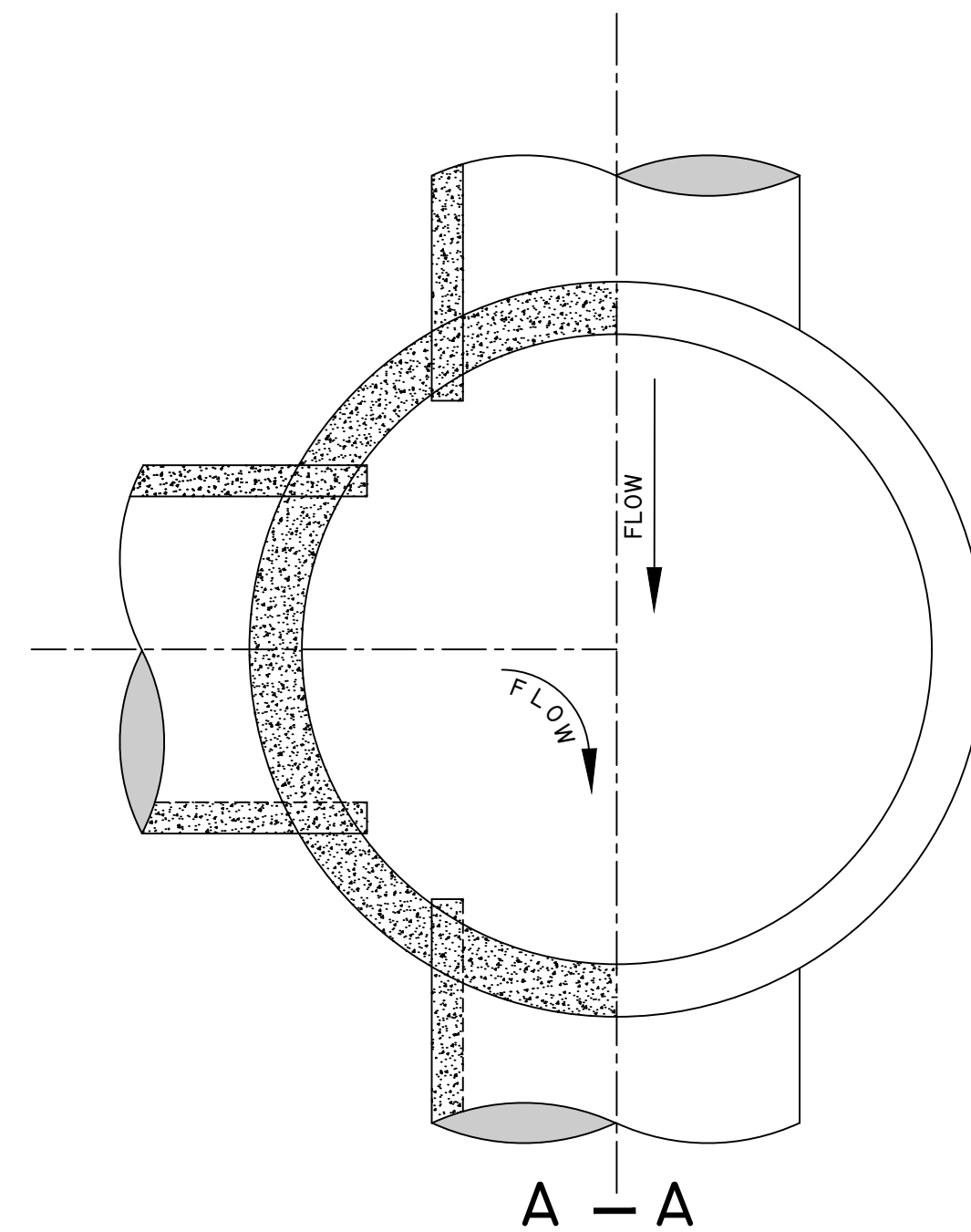
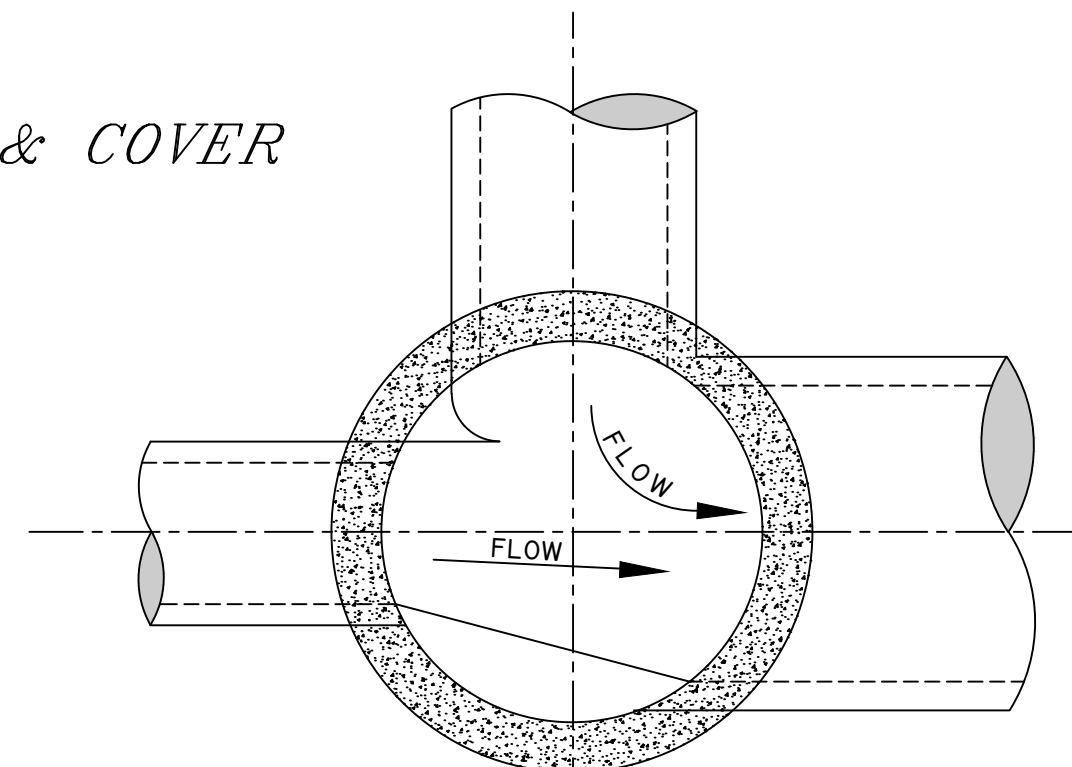
**NOTE**

OPENING FOR FRAME & COVER SHALL BE CENTERED ON MANHOLES WITH FLAT TOPS.

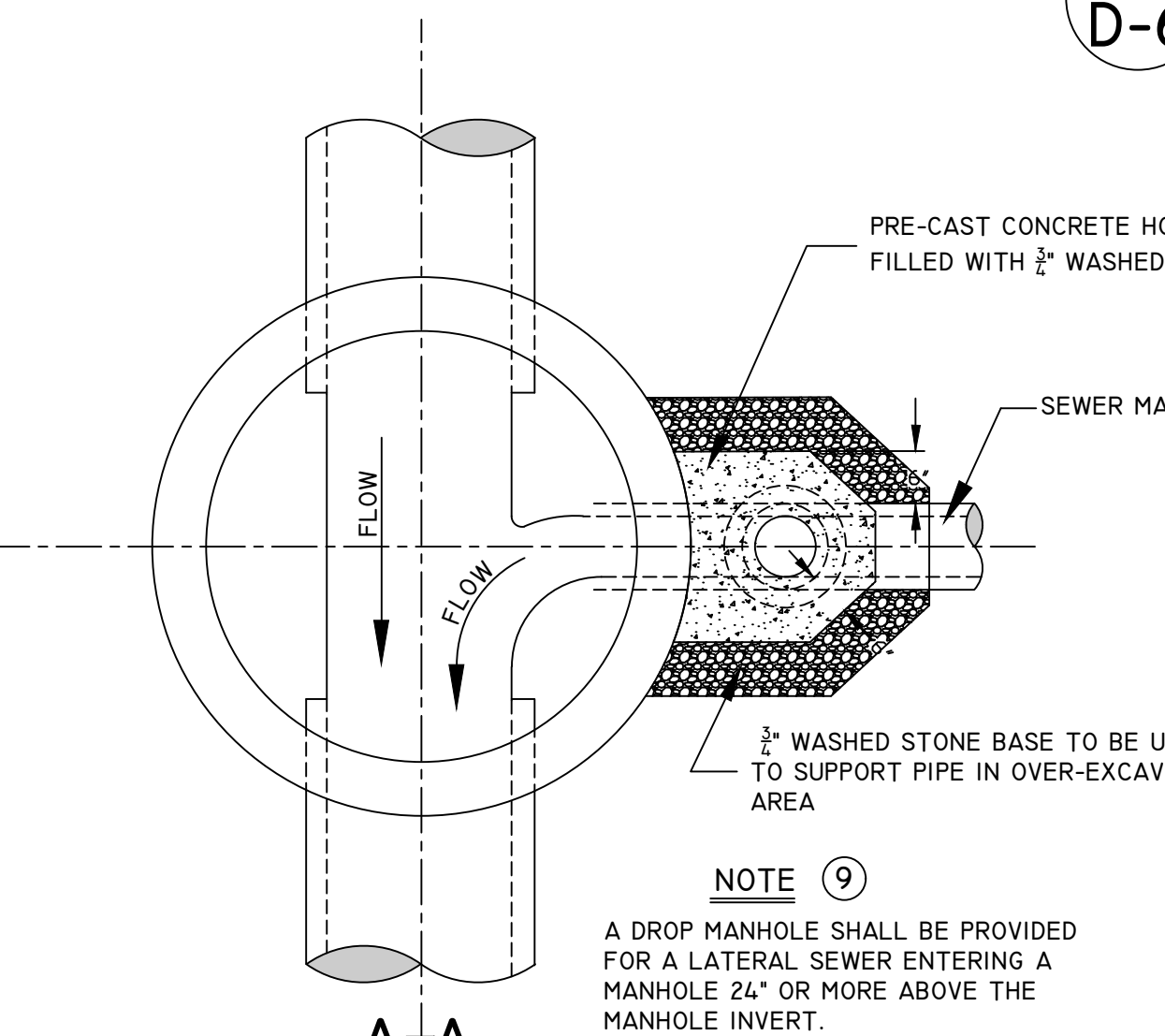


**A - A**  
DETAIL OF MANHOLE FRAME & COVER  
NEENAH R-1670 OR APPROVED EQUAL

**B**  
D-6

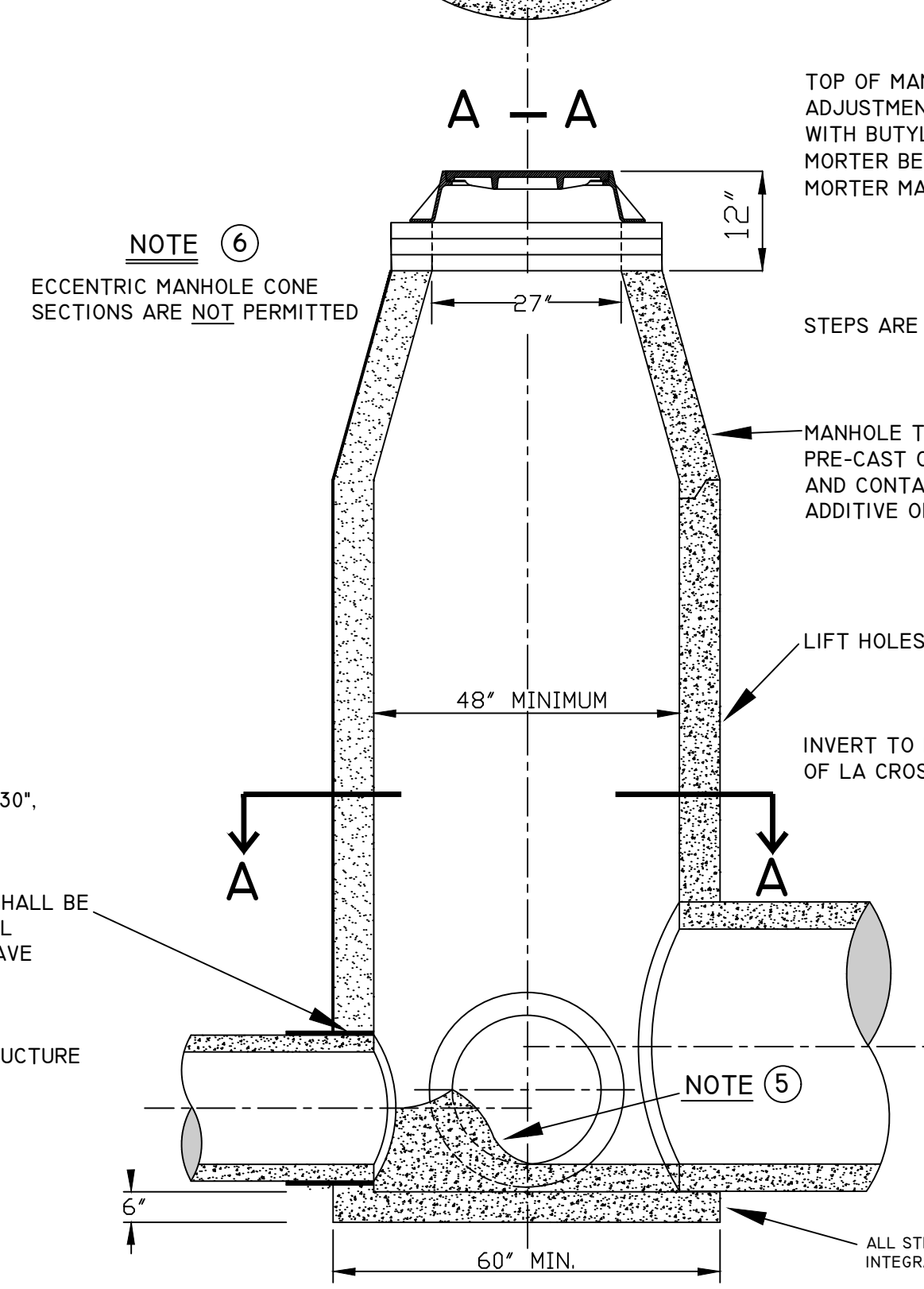


**A - A**

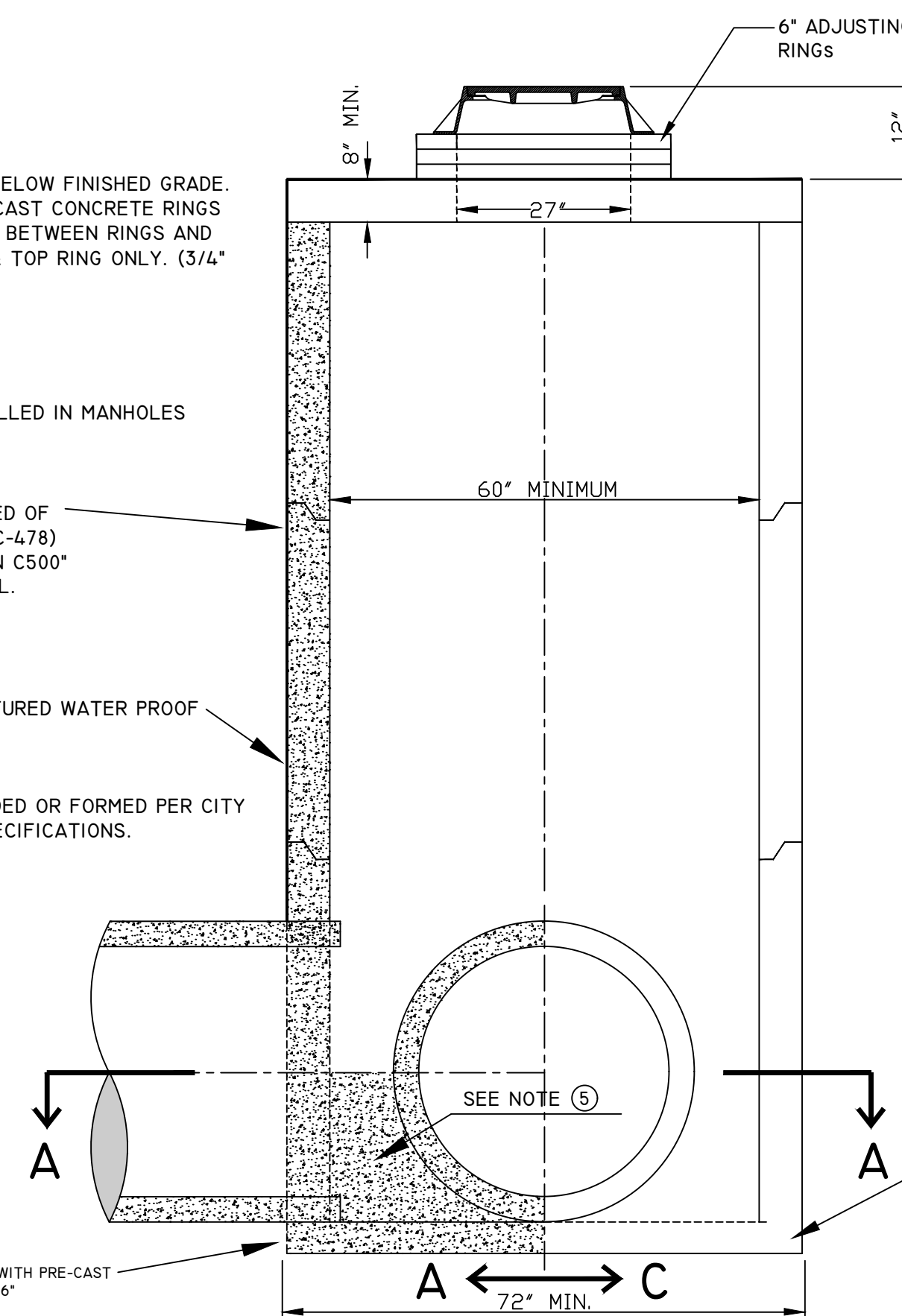


DETAILS OF SEWER TRENCHES

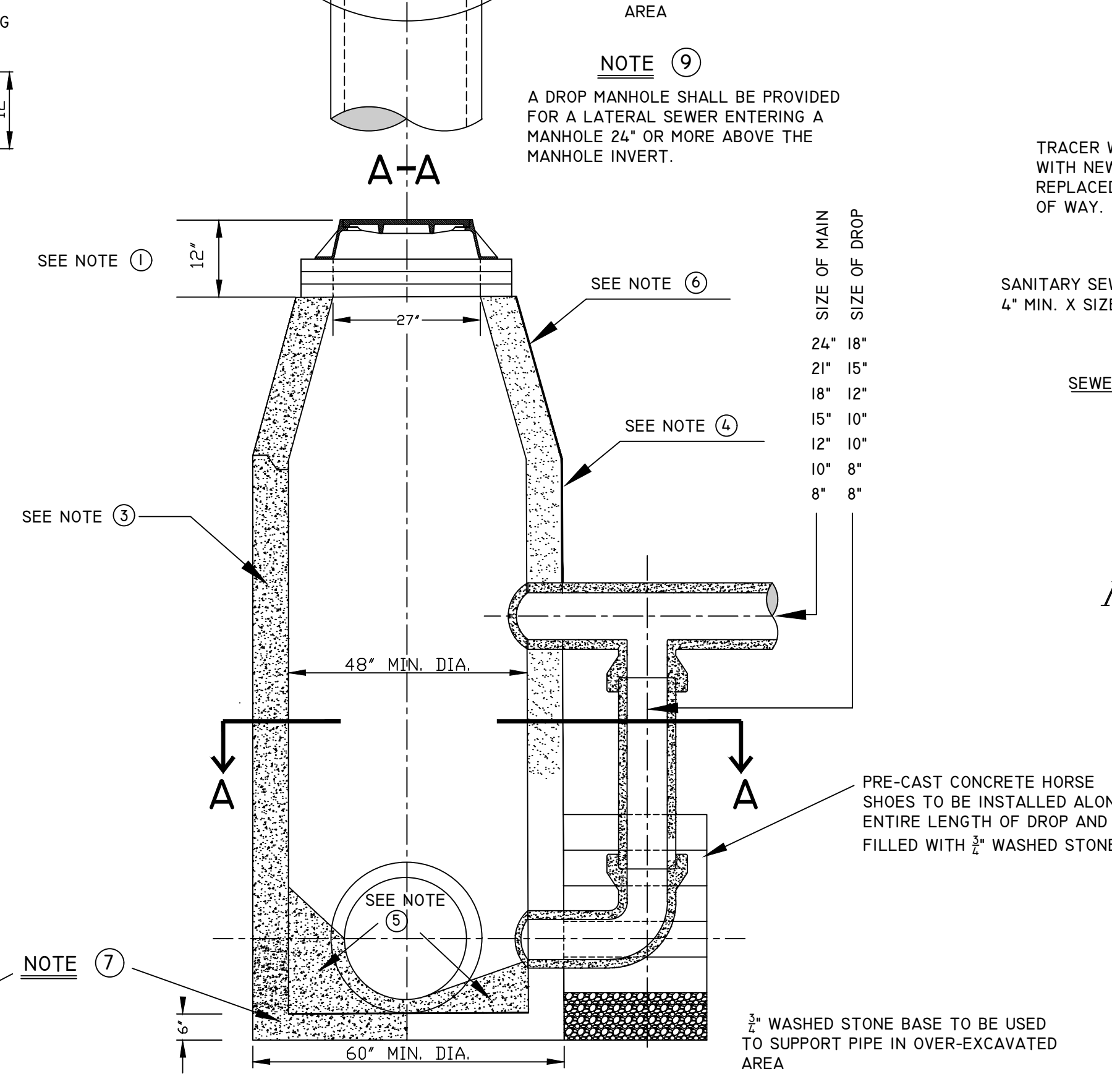
**A**  
D-6



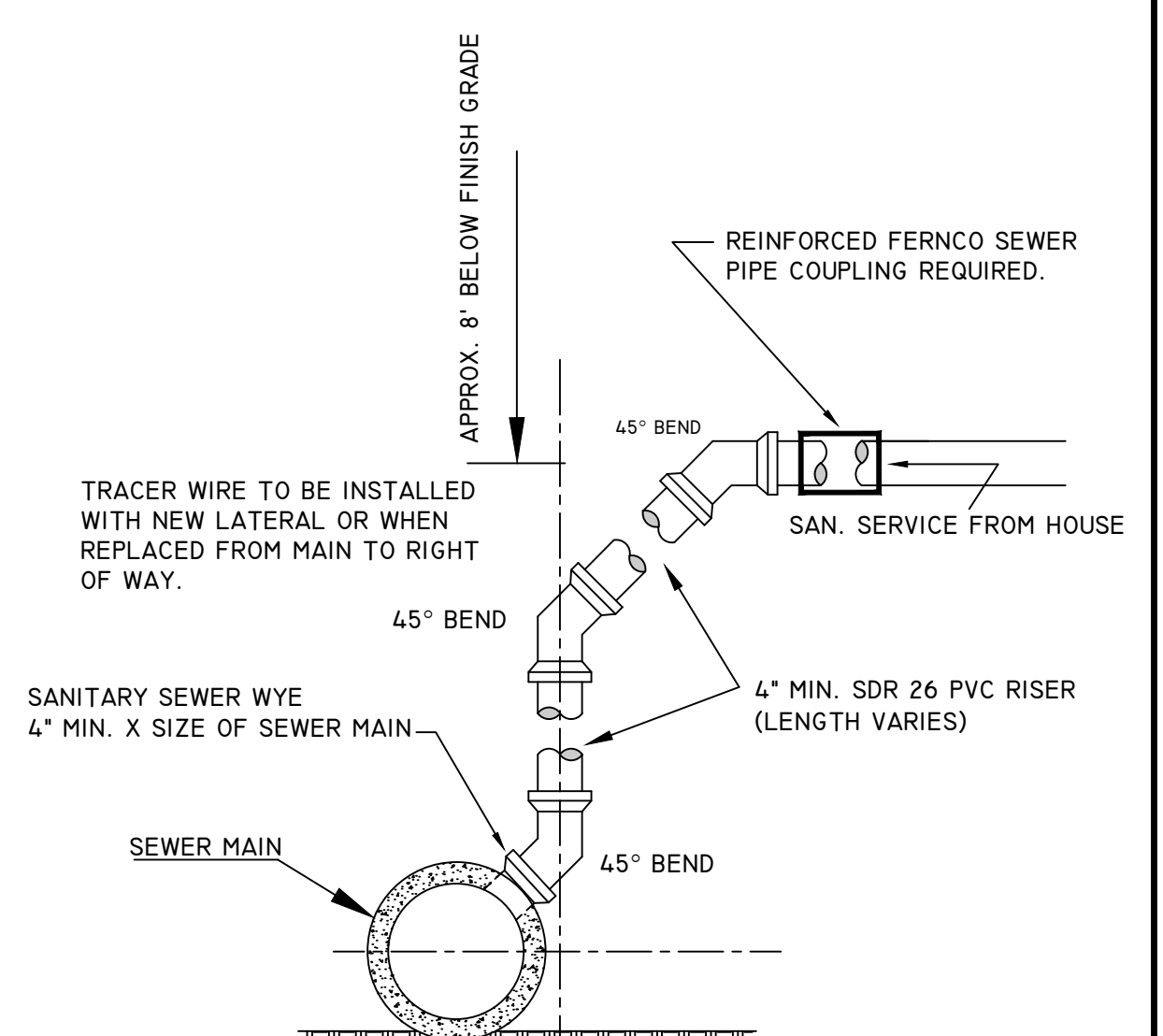
**C**  
D-6  
DETAILS OF STANDARD MANHOLE  
FOR 30" PIPE OR SMALLER



**D**  
D-6  
DETAILS OF STANDARD MANHOLE  
FOR 36" PIPE OR LARGER



**E**  
D-6  
DETAILS OF DROP MANHOLE  
FOR 30" PIPE OR SMALLER



DETAILS OF RISER  
FOR LATERAL CONNECTION

**F**  
D-6

**SANITARY  
SEWER DETAILS**

D-6

**ENGINEERING DEPT.**  
City of LaCrosse, Wis.

FIELD	REVISION	BY	DATE
BOOK	SUBMITTED		
NUMBER	DRAWN	PRELIMINARY	
	CHECKED	FINAL	
	APPROVED		
PAGE	REVISIONS	M.D.F.	J.M.C.
	J.M.C.	9/203	B.F.M.
	M.D.F.	4/206	J.M.C.
	M.D.F.	12/10	B.F.M.
	M.D.F.	4/13	J.M.C.
			11/2025
			11/2019
			11/2023
			11/2024

SCALE: NONE