



GENERAL NOTES:

A SEE DETAILS A510 FOR CONTROL JOINT (CJ) INFORMATION

B SEE SPECIFICATION FOR MATERIAL TYPE.

LEGEND:

KEYNOTE TAG

WINDOW TAG. SEE SHEET A600 FOR FRAME ELEVATIONS

CJ THROUGH WALL CONTROL JOINT - SEE DETAILS A510

A CORRUGATED METAL- FIELD LIGHT

B CORRUGATED METAL- FIELD DARK

C ALUMINUM SIDING- ACCENT MEDIUM

D FASCIA TRIM- WHITE

KEY NOTES ELEVATION

1 CORRUGATED METAL SIDING.

2 SHEET METAL ACCENT BAND.

3 BUILDING SIGN BY OWNER.

4 PREFINISHED SHEET METAL CAP FLASHING W/ 6" WIDE JOINT COVERS SET IN SEALANT.

5 DRIVE UNDER CANOPY- 1/4" X 1/2"

6 PREFINISHED SHEET DRIP EDGE.

7 ROOF LADDER.

8 4" DIA. CONCRETE FILLED PIPE BOLLARD.

9 OVERFLOW SCUPPER.

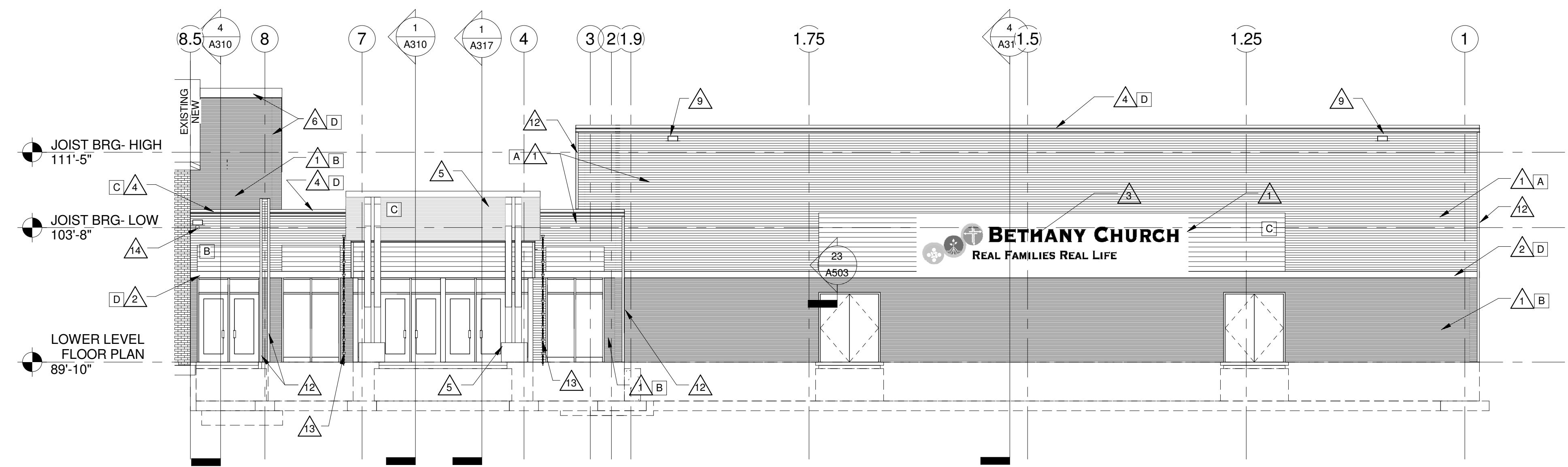
10 PIPE RAILING.

11 LAMBS TONGUE CONNECTED TO OVERFLOW ROOF DRAINS.

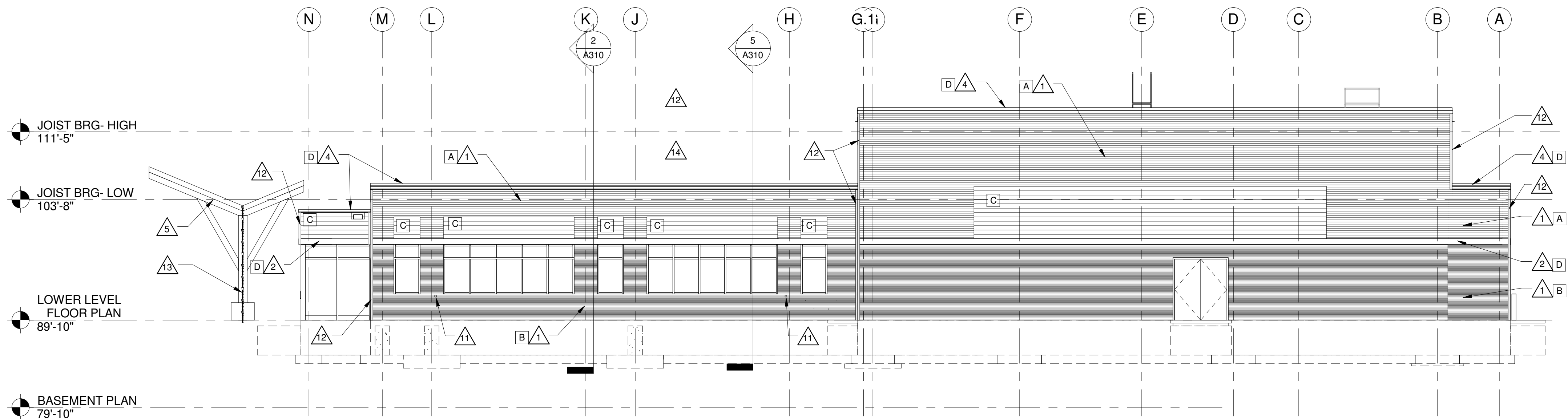
12 VERTICAL CORNER TRIM- COLOR TO MATCH ADJACENT SIDING.

13 RAIN CHAIN- BID ALTERNATE. SEE A317.

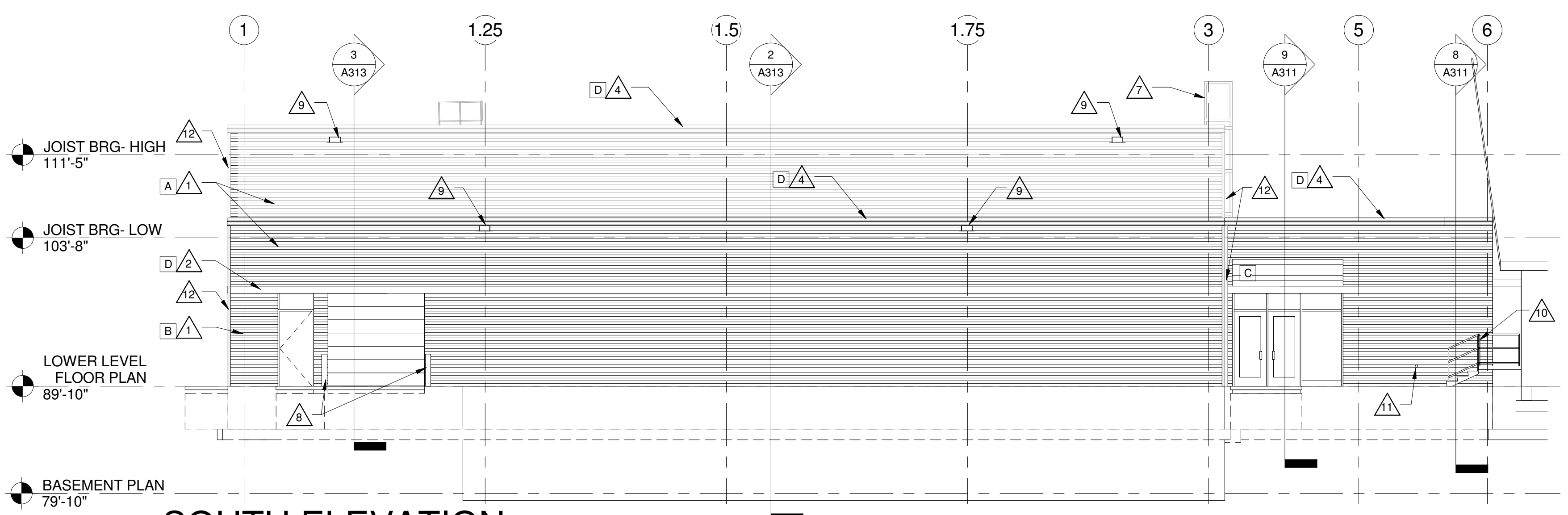
14 DOWNSPOUT FROM OVER FLOW SCUPPER TO GRADE. SEE A140.



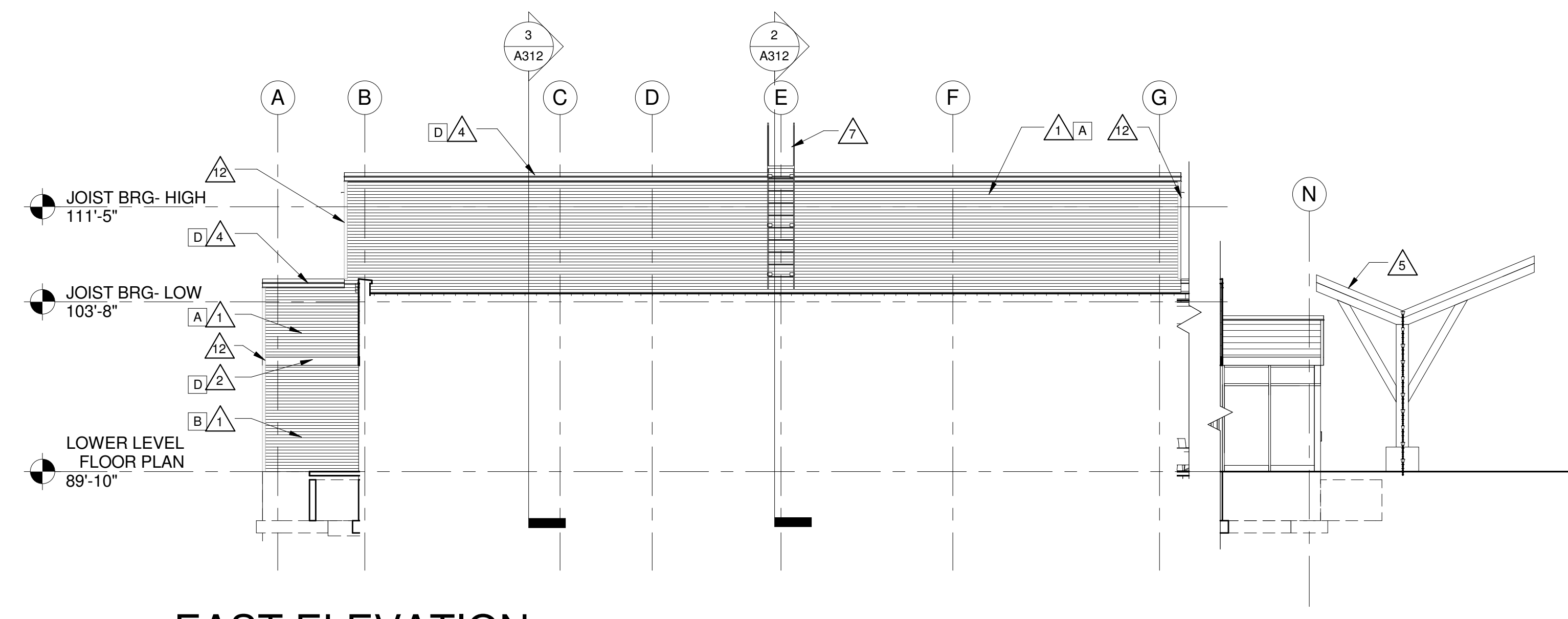
1 NORTH ELEVATION
1/8" = 1'-0"



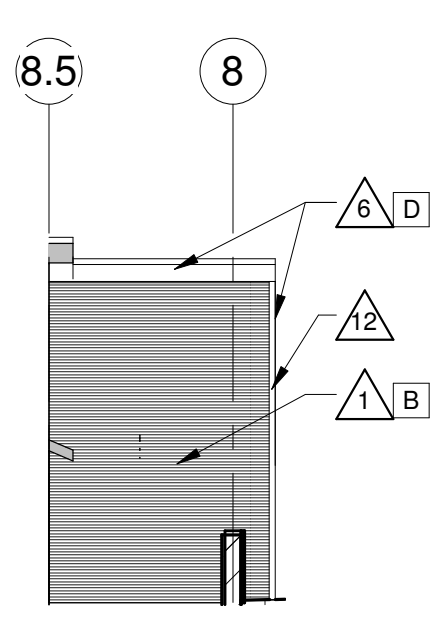
2 WEST ELEVATION
1/8" = 1'-0"



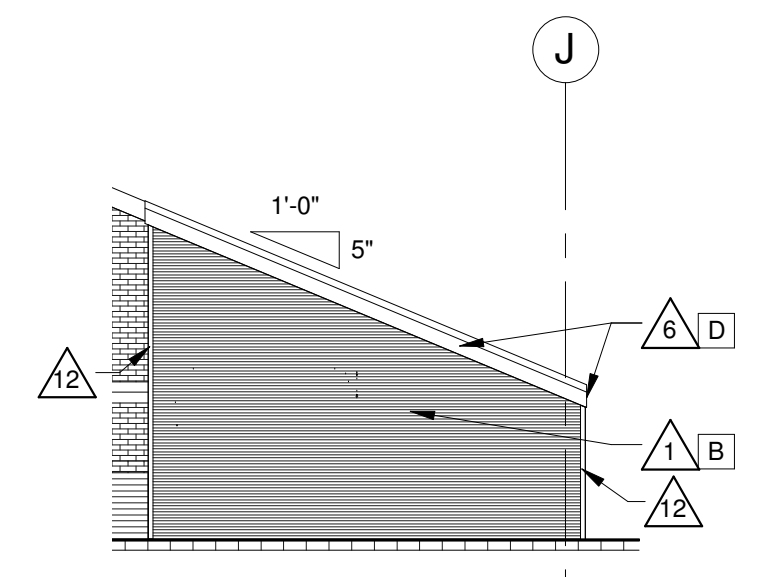
3 SOUTH ELEVATION
1/8" = 1'-0"



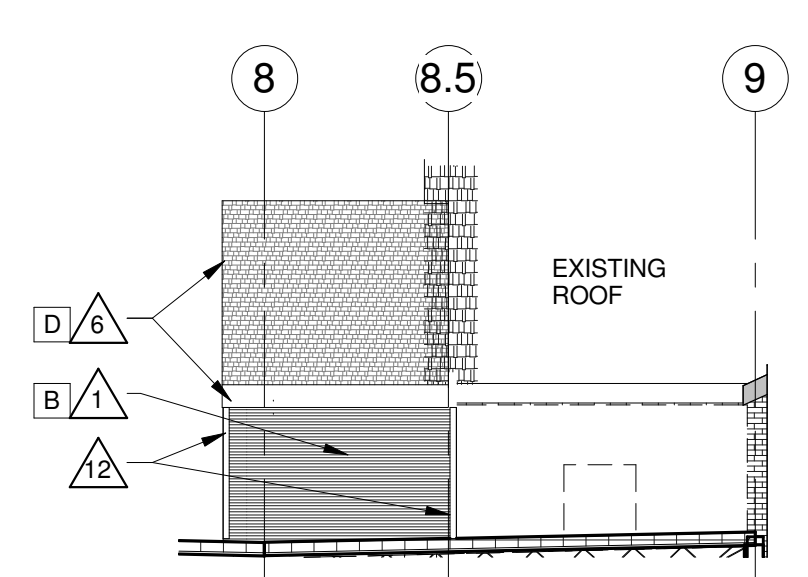
4 EAST ELEVATION
1/8" = 1'-0"



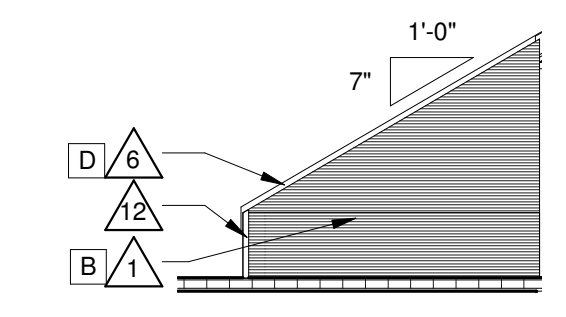
5 ELEVATOR- NORTH
1/8" = 1'-0"



6 ELEVATOR- WEST
1/8" = 1'-0"



7 ELEVATOR- SOUTH
1/8" = 1'-0"



8 STAIR- WEST
1/8" = 1'-0"

**BETHANY CHURCH
ADDITION**

Project Title: BETHANY CHURCH
ADDITION
Project Location: 3836 Co Rd B
La Crosse, WI

HSR Project Number: 17010

Project Date: 05-02-2017

Drawn By: HSR

Key Plan:

BID PACKAGE 2

Revisions:

No.	Description	Date

Graphic Scale: VARIES

Last Update: 6/7/2017 2:44:55 PM

A200