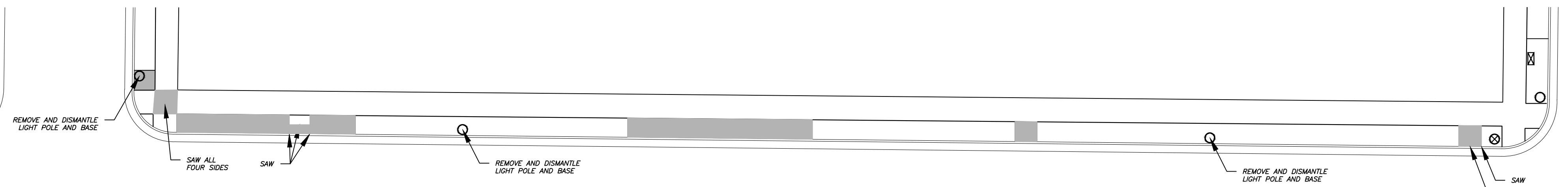


ST. JAMES STREET

WALL STREET

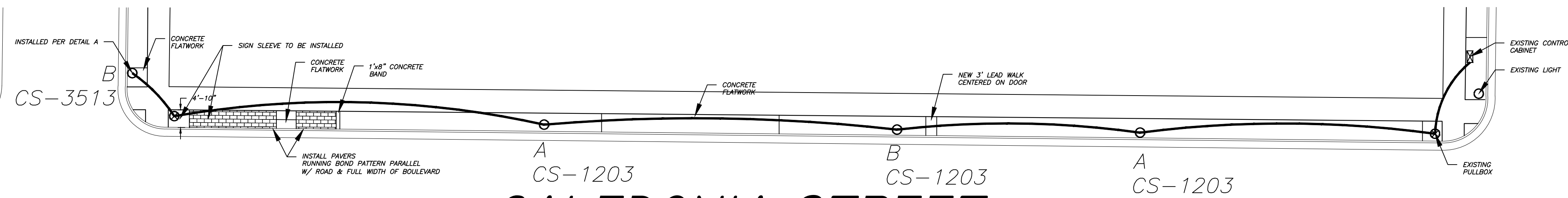


CALEDONIA STREET

EXISTING CONDITIONS & REMOVALS

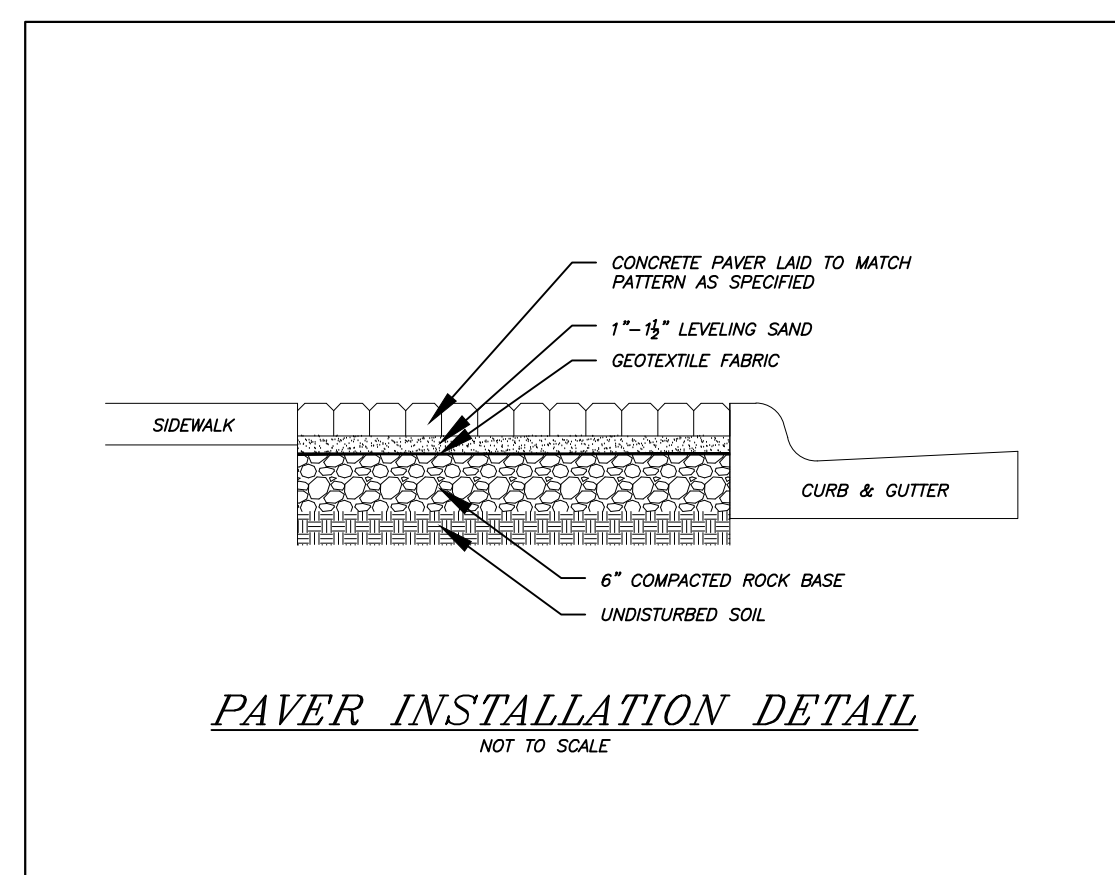
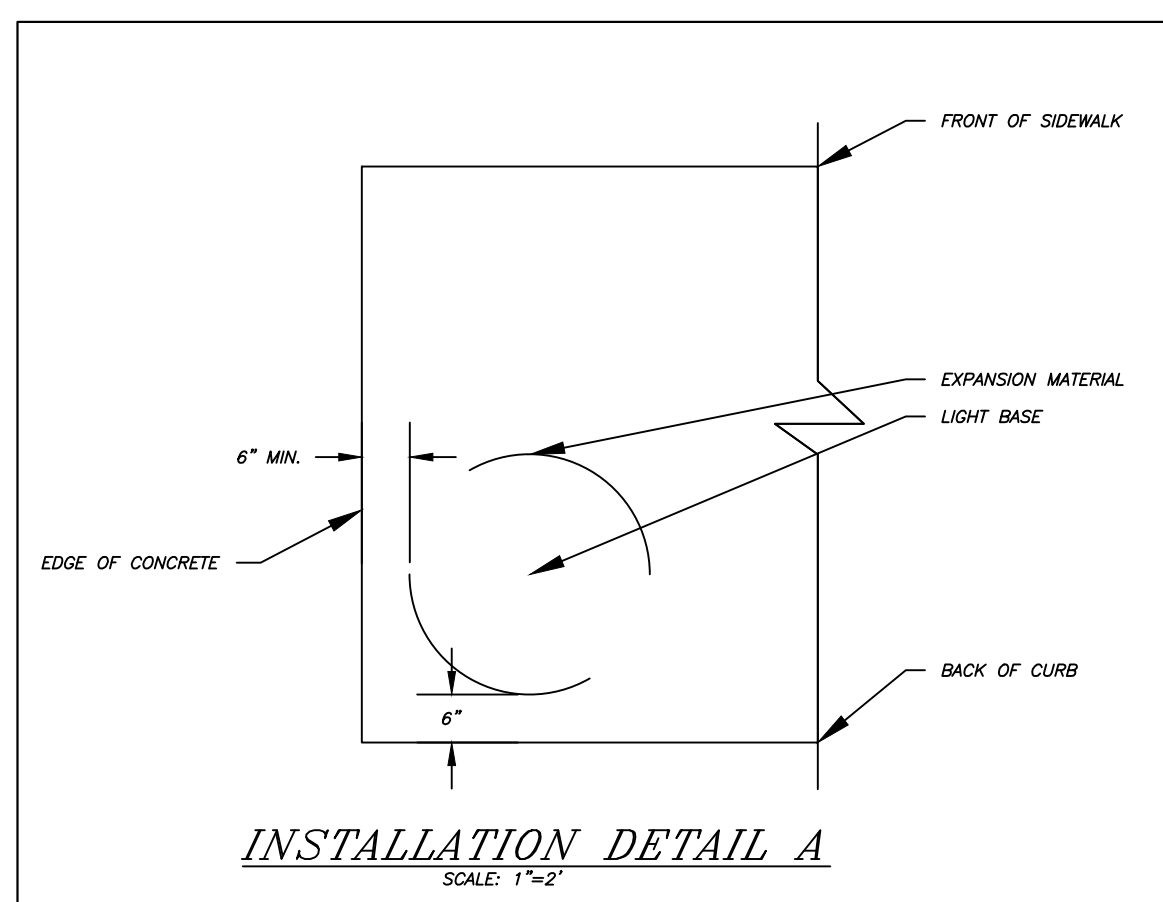
ST. JAMES STREET

WALL STREET



CALEDONIA STREET

LIGHTING & STREETSCAPING



- SYMBOLS**
- A - BLACK WIRE CIRCUIT
  - B - RED WIRE CIRCUIT
  - C - BLUE WIRE CIRCUIT
  - LIGHT BASE
  - ⊗ PULL BOX
  - ⊠ CONTROL CABINET
  - CONDUIT

**NOTES:**

- 1). ALL LOCATIONS ARE APPROXIMATE. TO BE FIELD LOCATED BY THE ENGINEER
- 2). ALL CIRCUITS 220V, #12 USE/XLP WIRES, COLOR CODED AS NOTED

0 10' 20' 40'

EDF # 17-008.02		DWG NAME: Caledonia St - St. James St to Wall St.dwg	
PROJECT No.	2017 STREETSCAPING PROJECT		
LOCATION	CALEDONIA STREET ST. JAMES STREET to WALL STREET		
RESOLUTION	DATE		
<b>ENGINEERING DEPT.</b> City of La Crosse, Wis.			
FIELD BOOK	SURVEYED	PRELIMINARY	BY DATE
NUMBER	DRAWN	FINAL	JOH 02/24/17
PAGE	CHECKED	APPROVED	MAG 02/24/17
	REVISIONS		
SHEET NO. 2	TOTAL SHEETS 5		