



**HSR ASSOCIATES INC.**  
100 MILWAUKEE STREET  
LA CROSSE, WISCONSIN  
PHONE: 608.784.1830  
FAX: 608.782.5844  
WEB SITE: www.hsrassociates.com

Consultant:

**PARAGON ASSOCIATES**  
Environmental Design & Consulting  
CIVIL ENGINEERING · LANDSCAPE ARCHITECTURE · SURVEYING  
632 COPELAND AVENUE · LA CROSSE, WI 54603  
Tel: 608.781.3110 Fax: 608.781.3187 Paragon-Associates

**COULEE REGION  
RECOVERY CENTER**

FERRY STREET  
LA CROSSE, WISCONSIN

**UTILITY PLAN**

Project Title:  
Project Location:  
Sheet Title:

HSR Project Number:

**AUTO PROJECT #**

Project Date:  
**AUTO PROJECT DATE**

Drawn By:  
**C.G.**

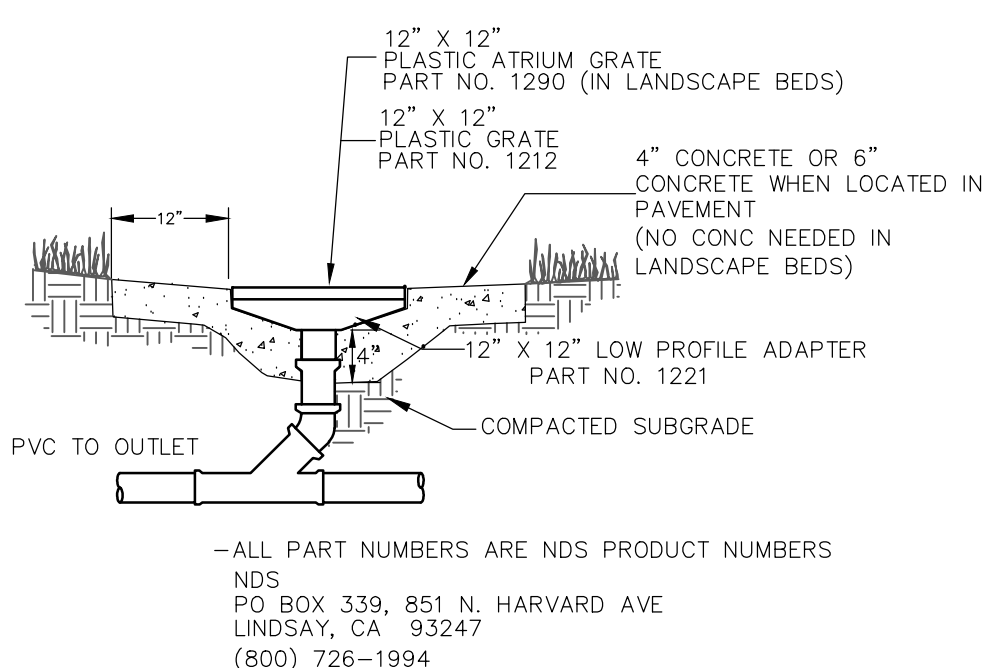
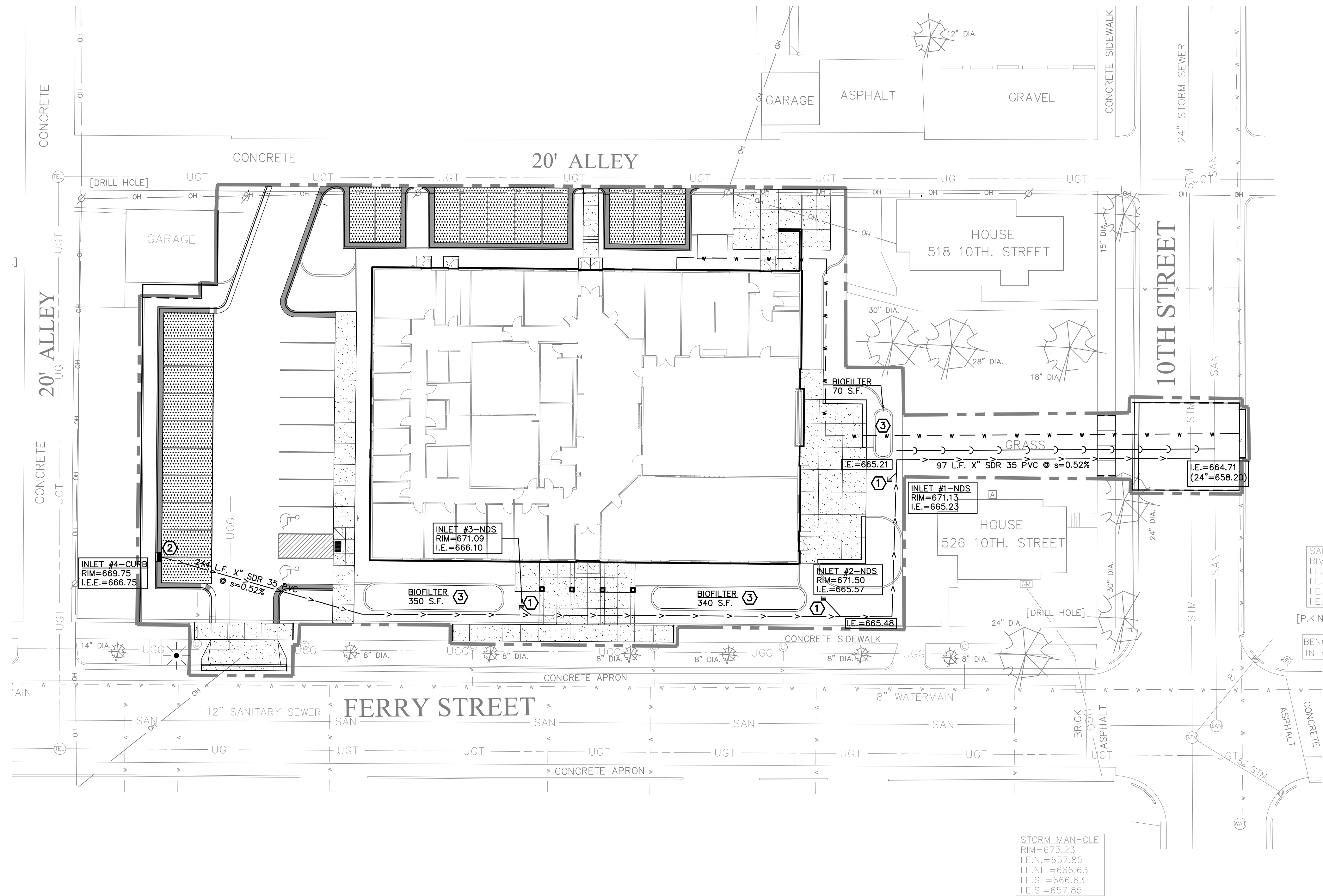
Key Plan:

Revisions:

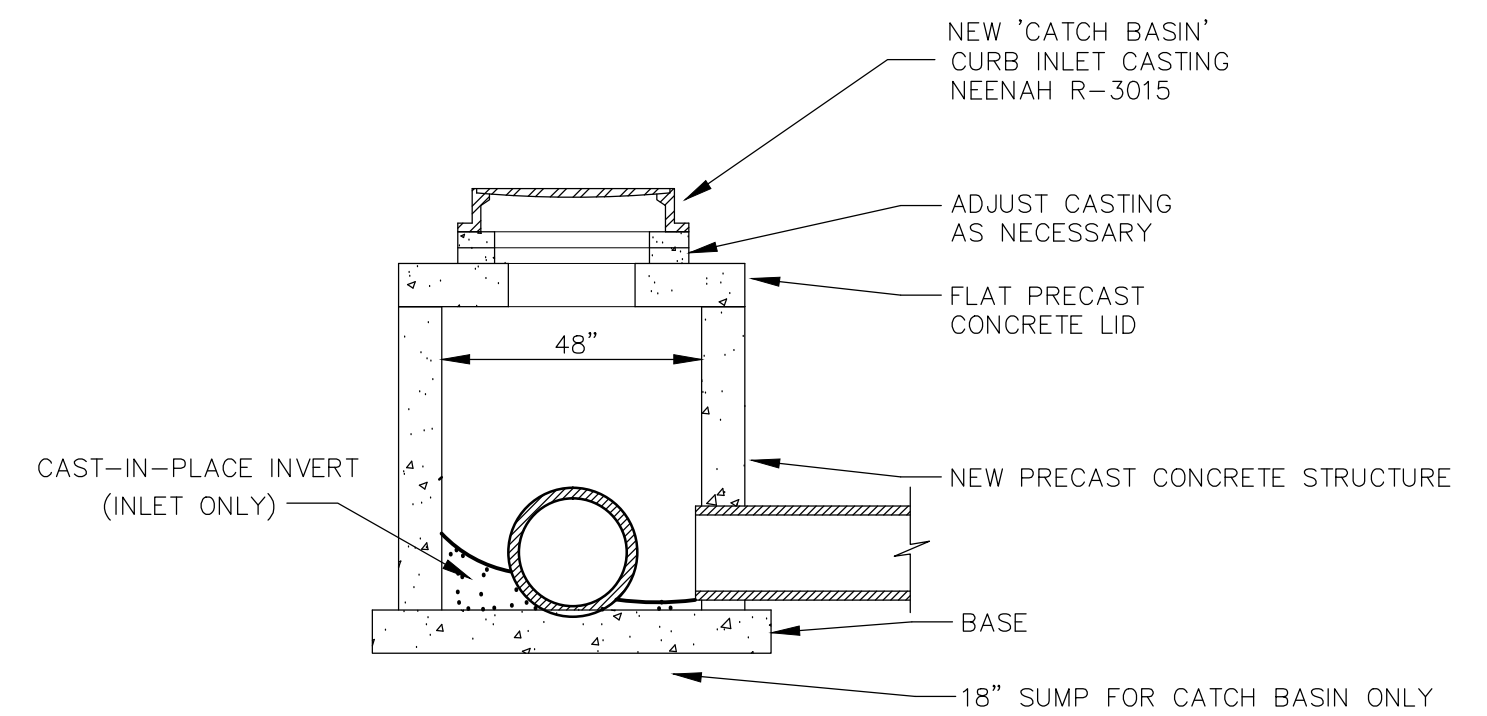
Graphic Scale:  
**1"=20'**

Last Update:  
**09/01/17**

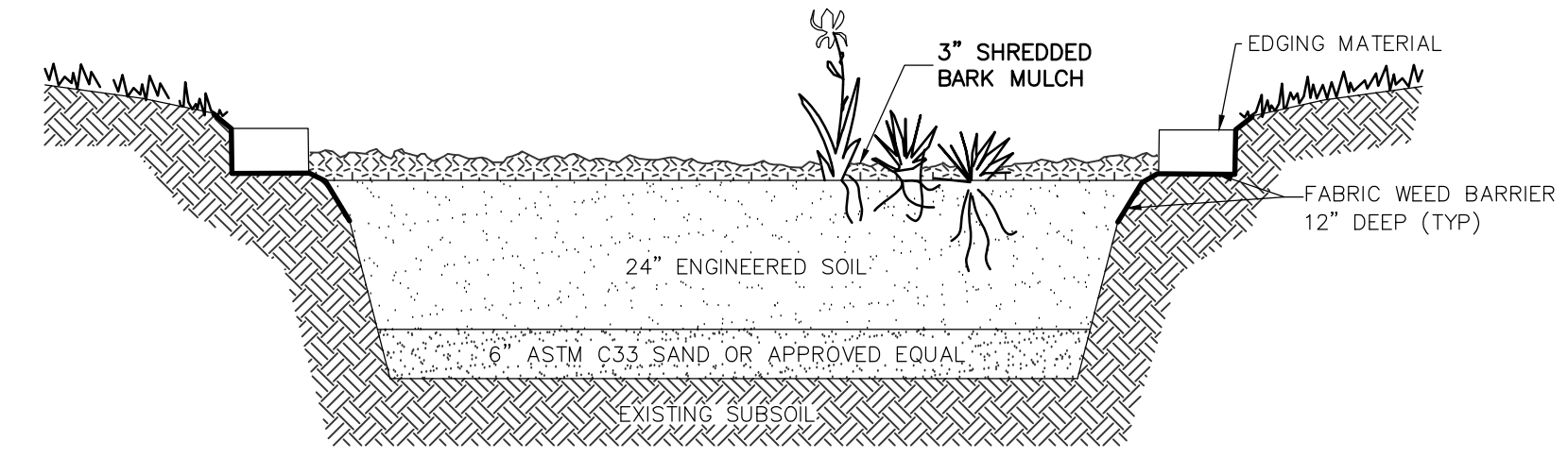
**C400**



**A NDS INLET**  
NO SCALE



**B INLET FOR STORM SEWER**  
NO SCALE



**C BIOFILTER DETAIL**  
NO SCALE

**UTILITY NOTES:**

ALL WATER & SEWER (STORM & SANITARY) CONSTRUCTION SHALL COMPLY WITH THE LATEST EDITION OF "STANDARD SPECIFICATIONS FOR SEWER & WATER IN THE STATE OF WISCONSIN," ALONG WITH THE CITY OF LA CROSSE STANDARD SPECIFICATIONS, AS APPROPRIATE.

ALL WATER & SANITARY LATERALS SHALL HAVE A MINIMUM DEPTH 6' BELOW FINISHED FLOOR ELEVATIONS. THE CONTRACTOR IS TO COORDINATE ACTIVITIES & CONFIRM LOCATION & ELEVATION OF SERVICES WITH THE ENGINEER.

USE C.L.D.I.P. FOR ALL WATER MAIN.

ALL WATER MAINS SHALL HAVE A MINIMUM OF 7.5' OF COVER.

SUITABLE ON-SITE GRANULAR MATERIAL SHALL BE USED FOR TRENCH BACKFILL TO PROPOSED ELEVATIONS. BACKFILL SHALL BE COMPACTED AS SPECIFIED.

ALL EXISTING INVERTS & LOCATIONS SHALL BE VERIFIED PRIOR TO CONSTRUCTION. ALL DISCREPANCIES FROM INFORMATION SHOWN ON THE PLANS SHALL BE REPORTED TO THE ENGINEER IMMEDIATELY.

CONTRACTOR SHALL IDENTIFY & MARK THE EXACT LOCATIONS OF ALL UNDERGROUND CONNECTIONS TO WATER AND SEWER MAINS, BENDS, CURB BOXES, CLEAN OUTS, ETC. ON THE AS-BUILT PLANS. COPIES OF THESE DOCUMENTS SHALL BE DELIVERED TO THE ENGINEER FOR RECORD.

LOCATION REQUIREMENT: NON-METALLIC SEWER/MAINS AND SERVICES MUST BE PROVIDED WITH TRACE WIRE OR OTHER METHODS IN ORDER TO BE LOCATED.

SHOP DRAWINGS FOR UTILITIES ARE REQUIRED.

ALL SANITARY SERVICES ARE 4" IN DIAMETER.

**UTILITY NOTES:**

- ① SEE DETAIL (A) FOR NDS INLET
- ② SEE DETAIL (B) FOR CURB INLET
- ③ SEE DETAIL (C) FOR BIOFILTER SECTION

