

PERIMETER FENCE-TYPICAL SECTION
SCALE: 1/2"=1'-0"

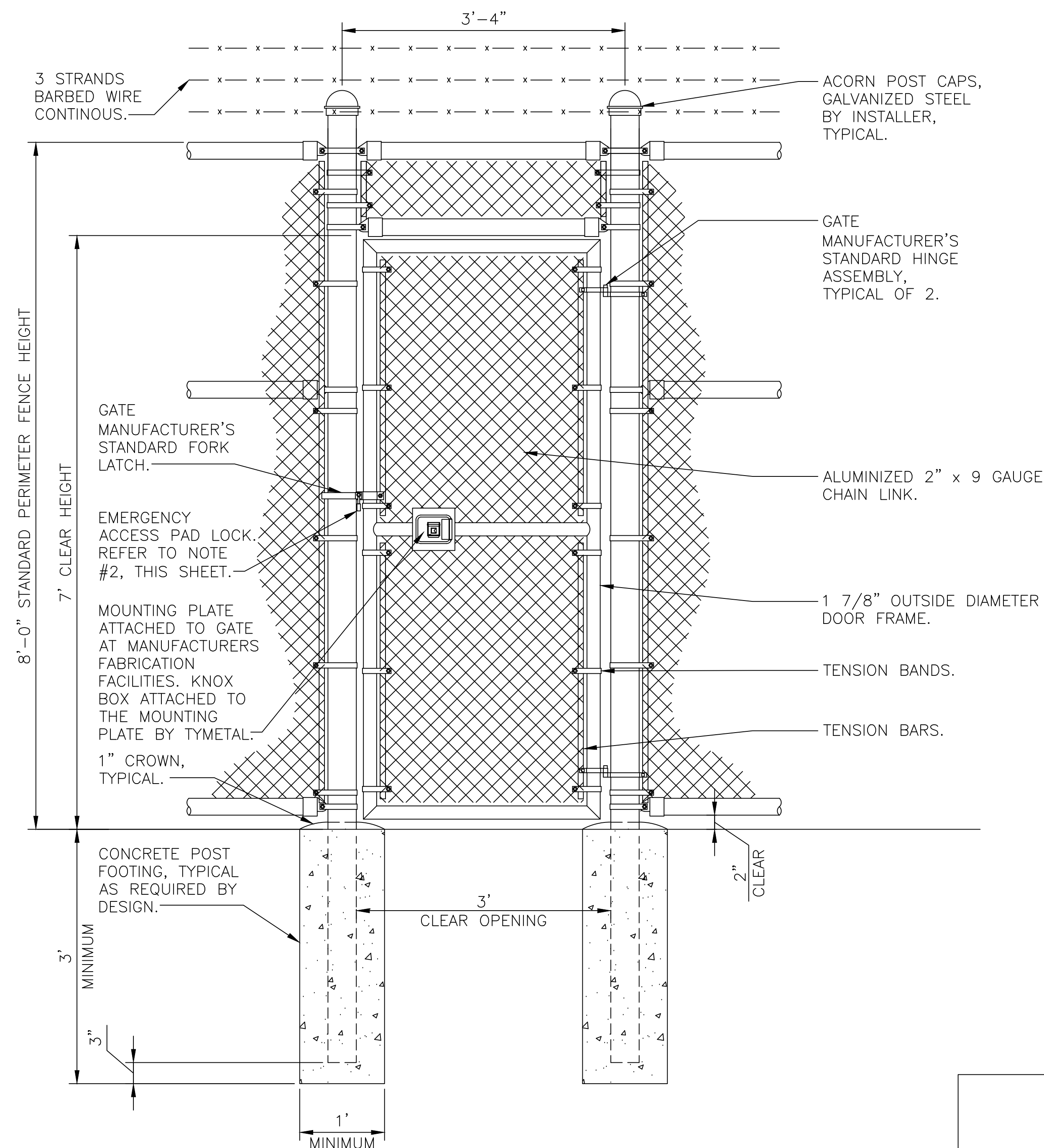
This drawing is the Proprietary Property of FEDEX GROUND PACKAGE SYSTEM, Inc. and must not be used in any other circumstance except in correlation with our work.

Rev.	Date	Revised Items	Dr.	D.E.
C	02/29/16	CHANGED O.D. FOR CORNER AND TERMINAL POSTS.	RJK	
B	10/27/14	CHANGED NOTE TO SAY FINISHED GRADE	RJK	CSK
A	10/20/11	CHANGED DIM NOTE 10'-0" @ HUBS	SJN	

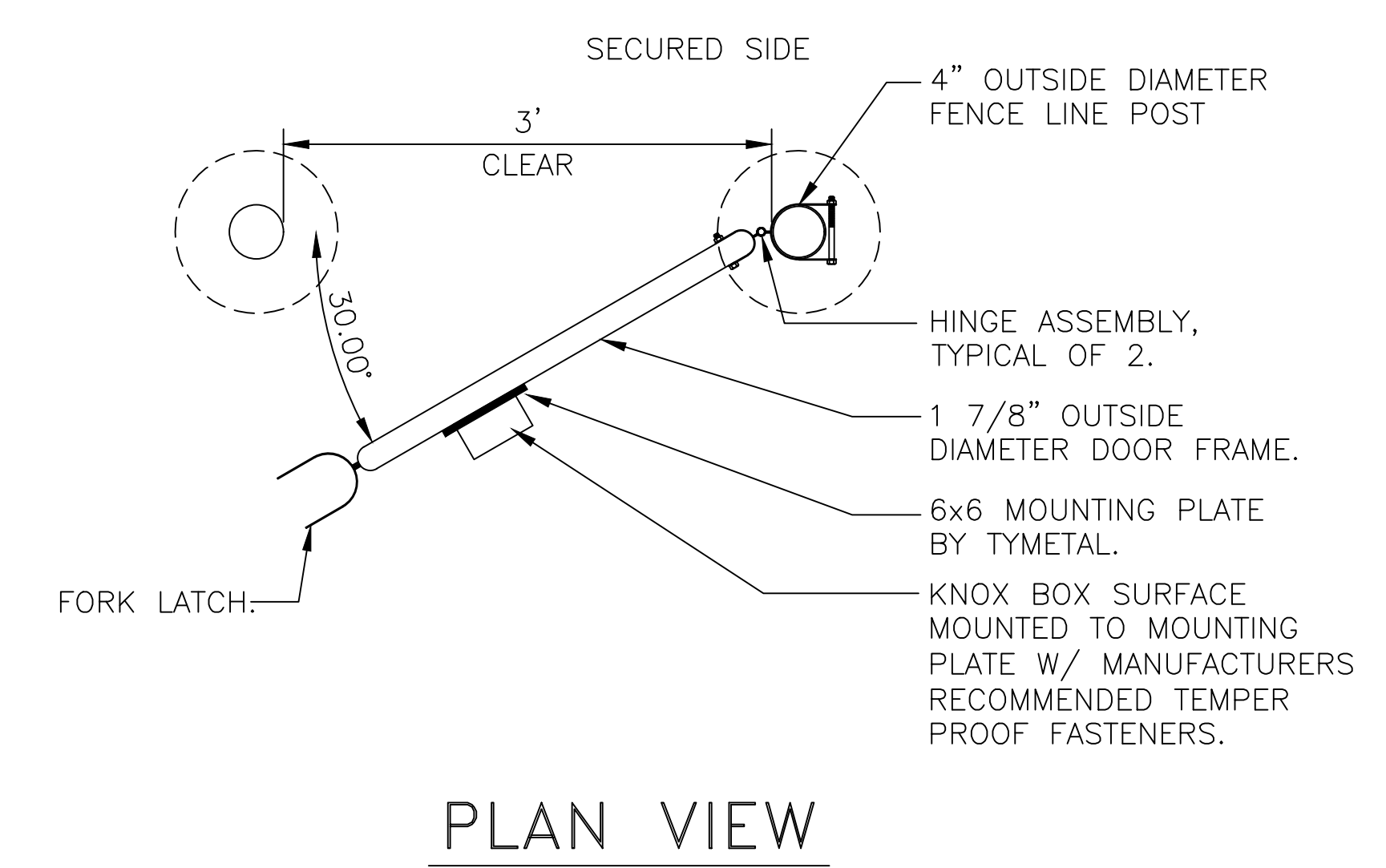
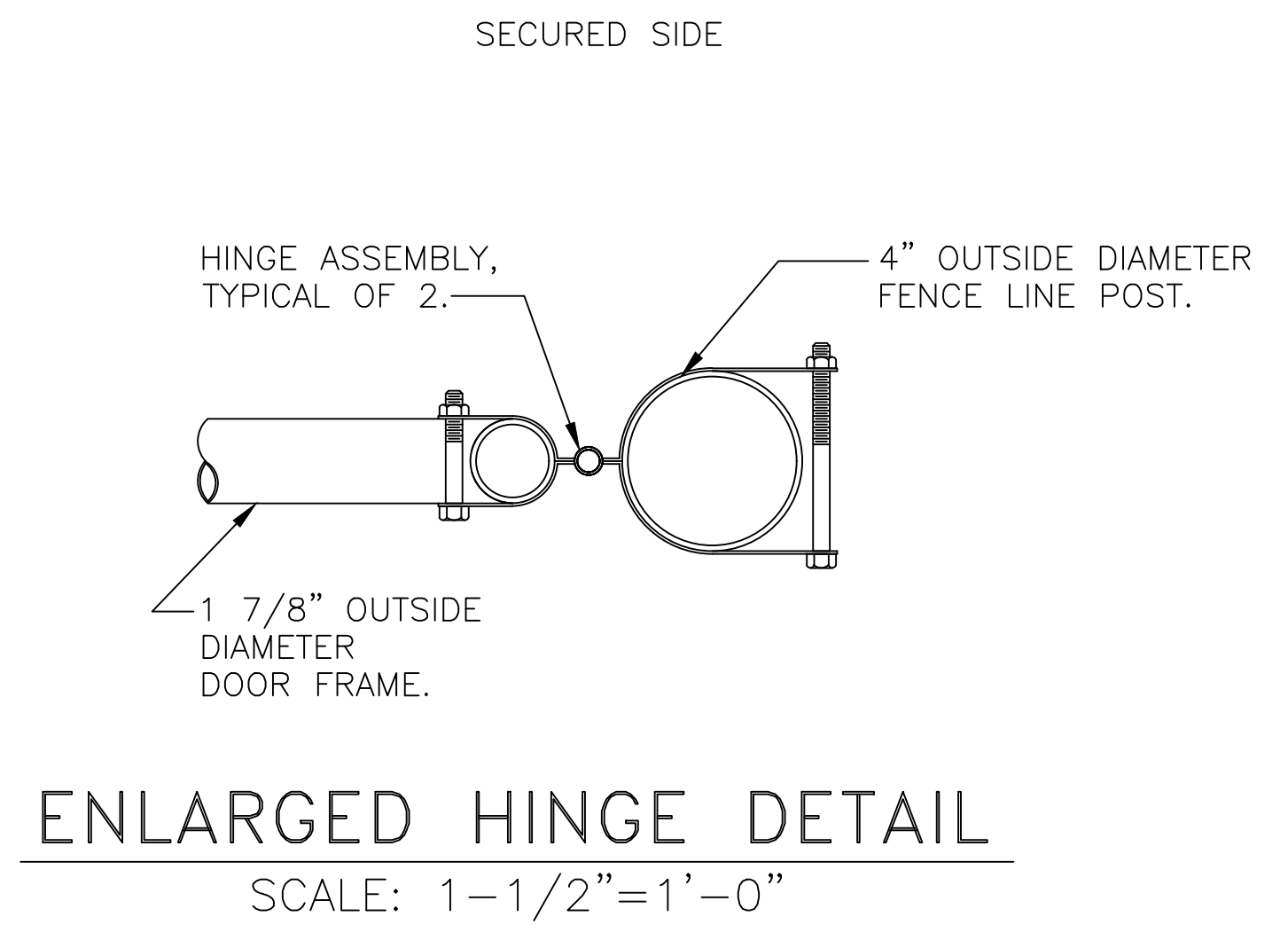


FACILITIES & MATERIAL HANDLING SYSTEMS 1000
FedEx Drive Moon
Township, PA 15108
412/269-1000

DIVISION: 2 - SITEWORK		Title:		Revision:	
		PERIMETER FENCE - TYPICAL SECTION		C	
Drawn By: RJK	Date: 07/25/08	Drawing Type: FACILITIES STANDARD	Drawing Number: 02830-006		
Approved By: CMB	Scale: 1/2"=1'-0"				



ELEVATION



EMERGENCY ACCESS PEDESTRIAN GATE
LOCATED ADJACENT TO PLANT ENTRANCE GATE
SCALE: 1/2"=1'-0"

NOTE:

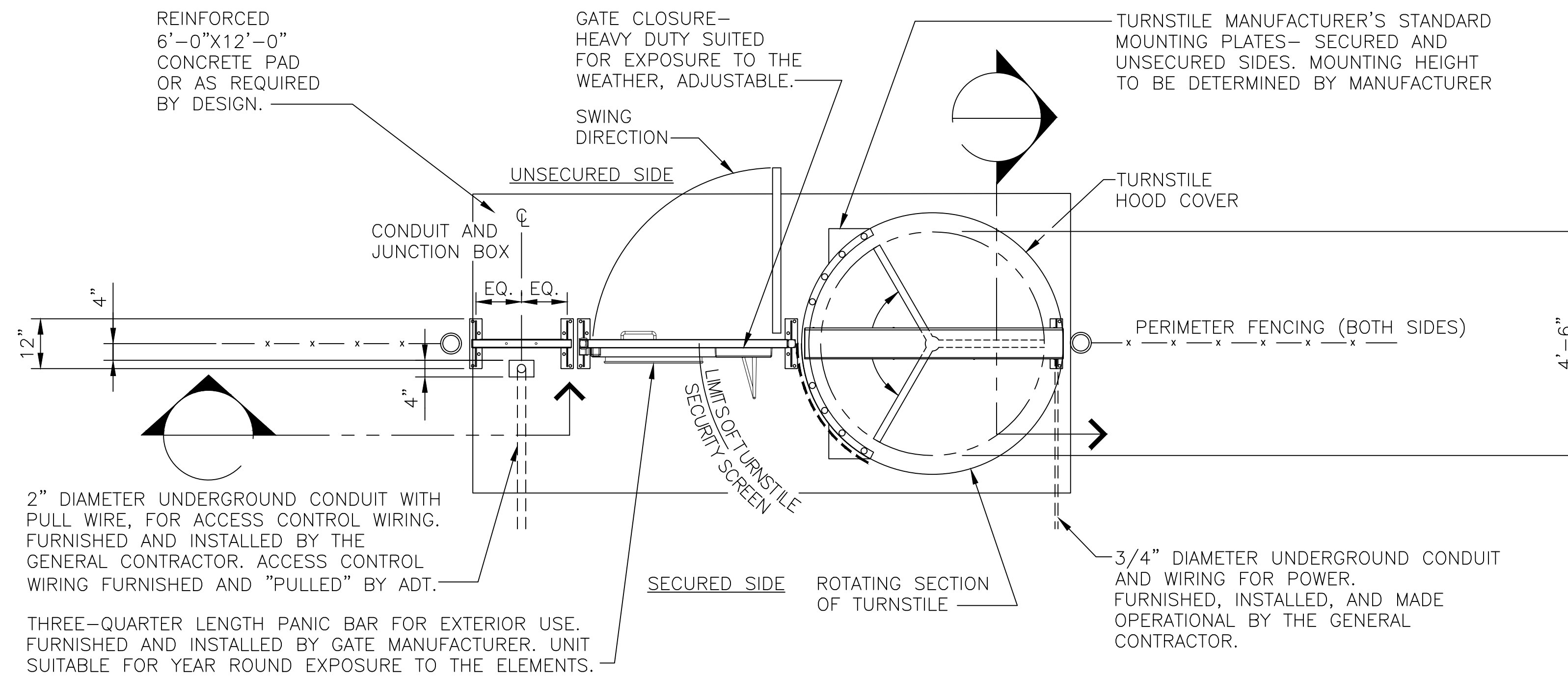
1. INSTALL GATE WHEN REQUIRED BY LOCAL AUTHORITY HAVING JURISDICTION.
2. EMERGENCY ACCESS PADLOCK- KNOX COMPANY RAPID ENTRY SYSTEM. PADLOCK MODEL NUMBER 3772, SHROUDED, FOR EXTERIOR USE. MANUFACTURER'S STANDARD COLOR COORDINATION FOR "FIRE DEPARTMENT." LESSOR/LESSOR'S AGENT SHALL COORDINATE THE KEYING OF THE PADLOCK WITH THE LOCAL AUTHORITY/AUTHORITIES HAVING JURISDICTION PRIOR TO INSTALLATION. (ALTERNATE PAD LOCKS NOT ACCEPTED.)
3. EMERGENCY PEDESTRIAN GATE AND KNOX BOX WILL BE FURNISHED AND INSTALLED ONLY WHEN SAID ITEMS ARE REQUIRED BY LOCAL AUTHORITY HAVING JURISDICTION (AHJ).
4. THE KNOX BOX TYPE AND DESIGN MUST BE COORDINATED, LOCALLY, WITH THE AUTHORITY HAVING JURISDICTION (AHJ). THE KNOX BOX SHALL BE AS A MINIMUM A KNOX BOX 3200 SERIES HINGED DOOR, SURFACE MOUNTED TYPE, SECURED TO FENCE AND FENCE POST WITH 6x6 MOUNTING PLATE AND 3/8" GRADE 5 OR GRADE 8 FASTENER.

This drawing is the Proprietary Property of FEDEX GROUND PACKAGE SYSTEM, Inc. and must not be used in any other circumstance except in correlation with our work.

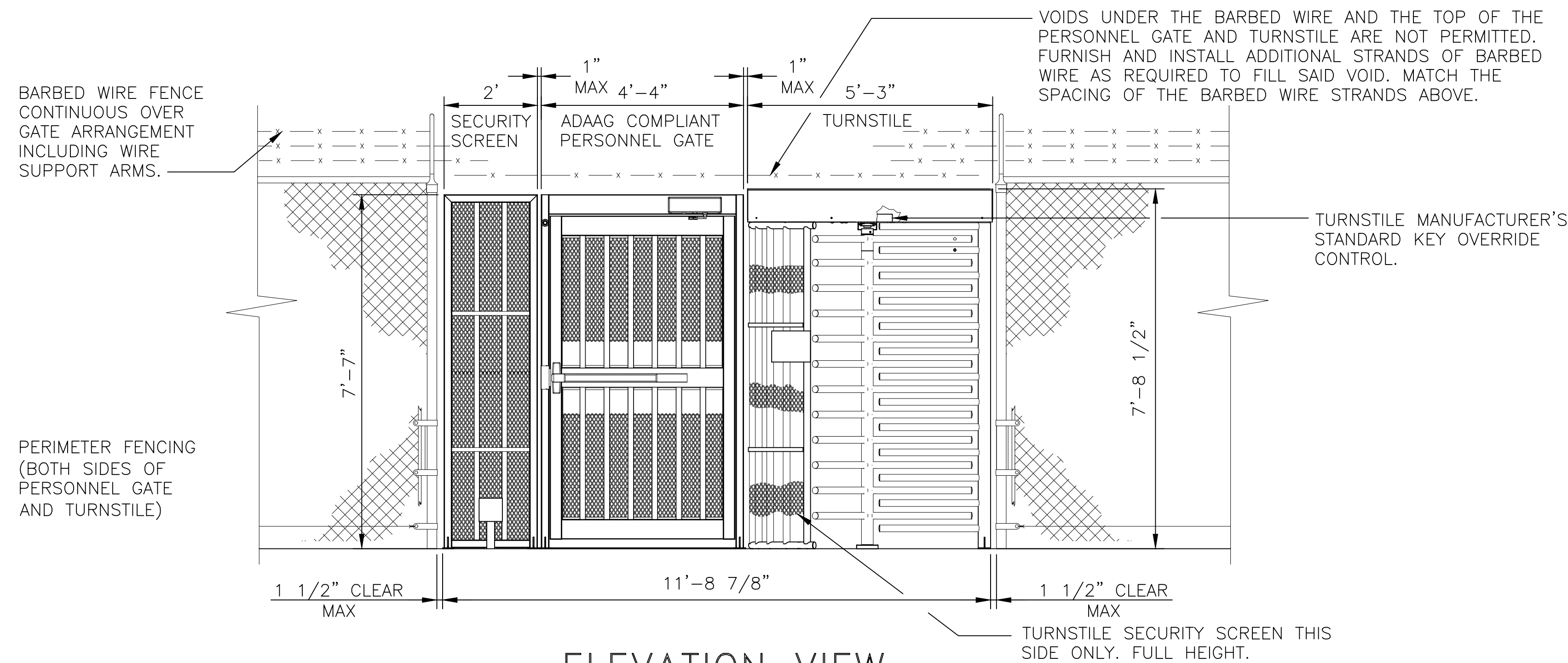
Rev.	Date	Revised Items	Dr.	D.E.
A	03/27/12	ADDED KNOX BOX	JWP	

FedEx Ground
FACILITIES & MATERIAL HANDLING SYSTEMS 1000
FedEx Drive Moon Township, PA 15108
412/269-1000

DIVISION: 2 - SITEWORK		Title: EMERGENCY ACCESS PEDESTRIAN GATE	
Drawn By: RJK	Date: 11/05/09	Drawing Type: FACILITIES STANDARD	Drawing Number: 02830-007
Approved By: CMB	Scale: 1/2"=1'-0"		Revision: A



PLAN VIEW



ELEVATION VIEW

TURNSTILE AND ACCESSIBLE PERSONNEL GATE

SCALE: 1/4"=1'-0"

NOTE:

1. ALL COMPONENT MANUFACTURER'S DIMENSIONS ARE APPROXIMATE.
2. ALL CLEARANCE DIMENSIONS ARE FXG REQUIREMENTS AND AS SUCH ARE FIRM.
3. COORDINATE THIS DETAIL WITH TURNSTILE POWER AND ACCESS CONTROL DETAILS.
4. STANDARD FXG FINISH FOR THIS ARRANGEMENT: MANUFACTURER'S STANDARD GALVANIZED.
5. PERSONNEL GATE AND TURNSTILE LOCKS, CORES AND KEYS SHALL CONFORM TO THE FXG STANDARD FOR APPLICATION OF SCHLAGE BRAND, SMALL FORMAT, INTERCHANGEABLE (SFIC) FORMAT.

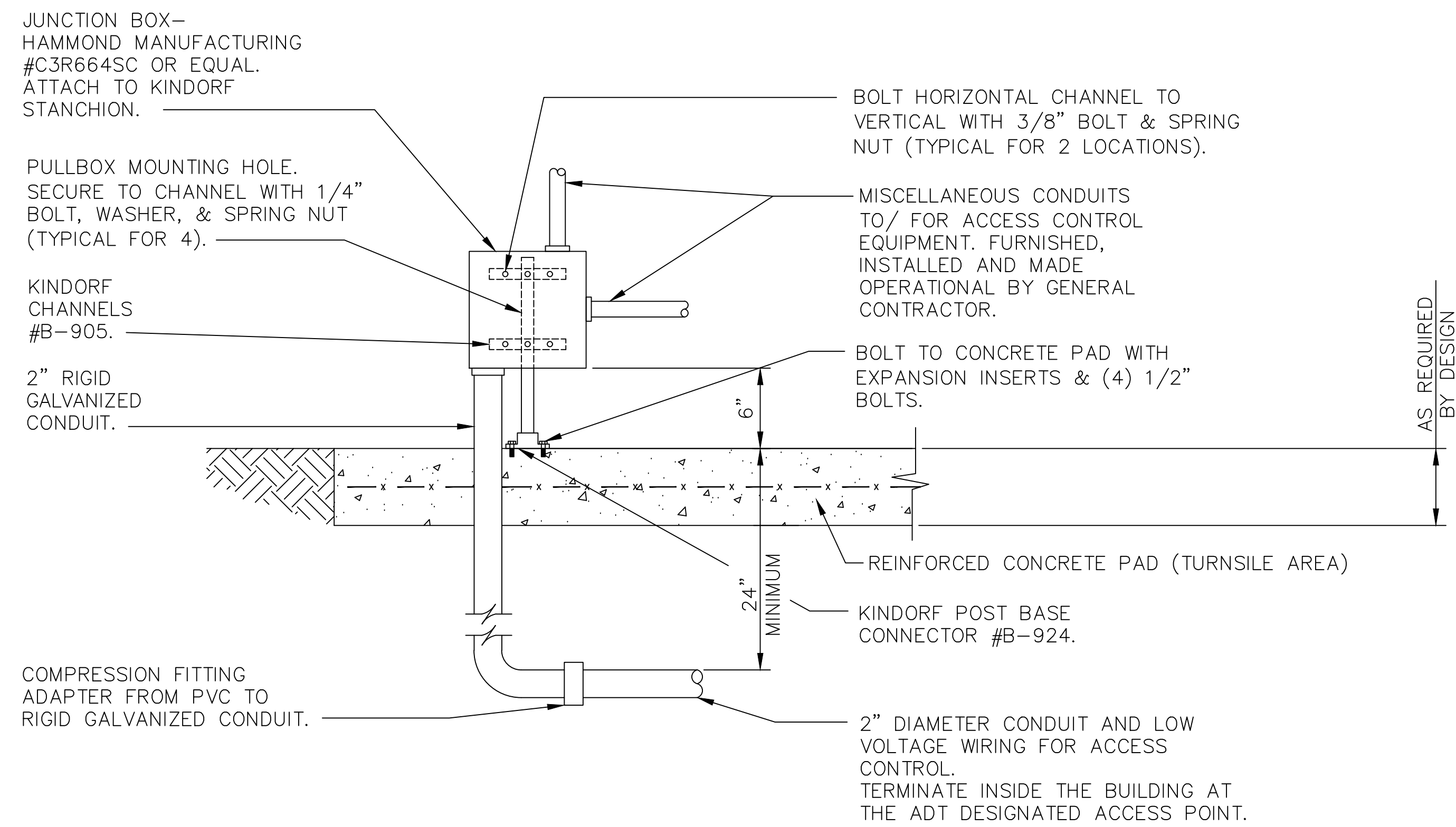
This drawing is the Proprietary Property of FEDEX GROUND PACKAGE SYSTEM, Inc. and must not be used in any other circumstance except in correlation with our work.

Rev.	Date	Revised Items	Dr.	D.E.
C	02/14/13	ADJUSTED AND ADDED NOTES	JMS	
B	02/09/12	MOVED TURNSTILE SECURITY SCREEN.	JDW	
A	01/16/12	ADDED SCREEN TO TURNSTILE, UPDATED NOTES.	JDW	

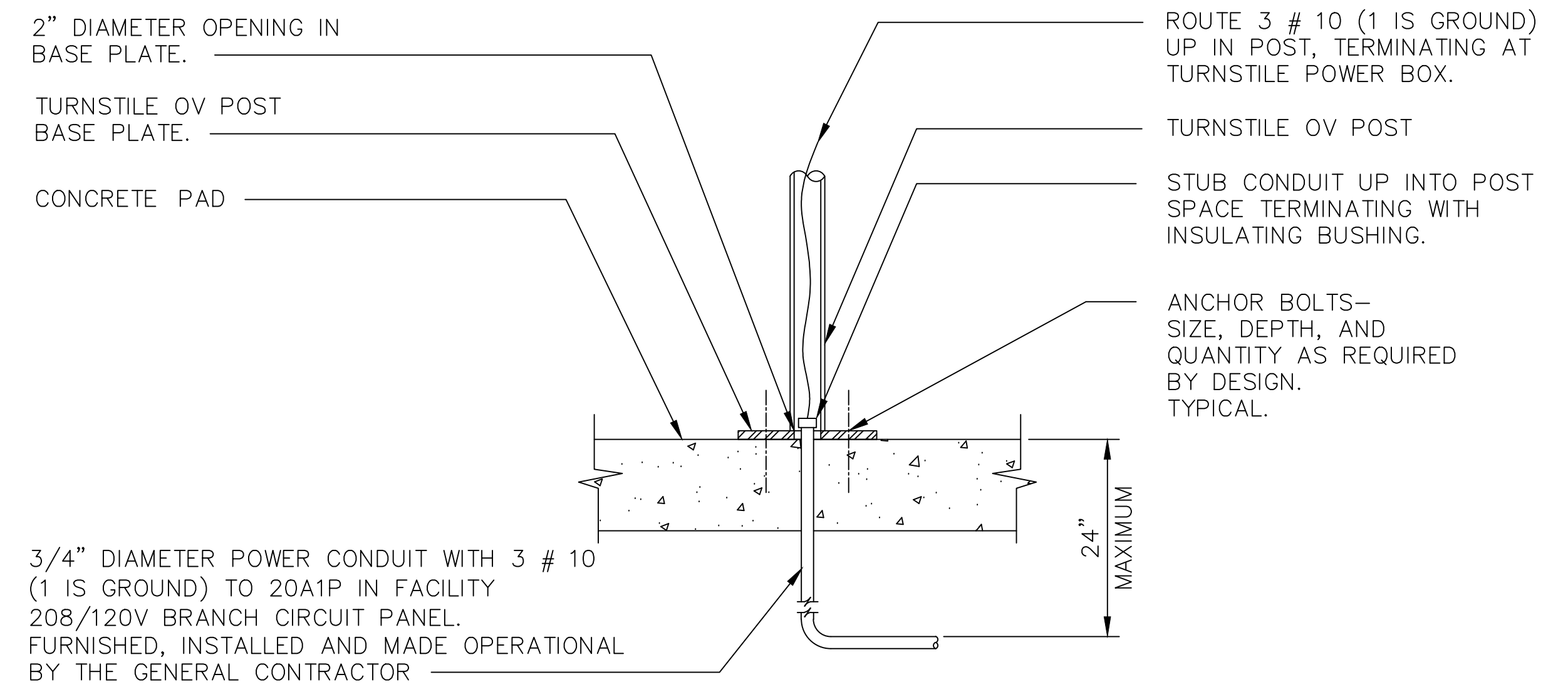
FedEx
Ground[®]

FACILITIES & MATERIAL HANDLING SYSTEMS 1000
FedEx Drive Moon Township, PA 15108
412/269-1000

DIVISION: 2 - SITEWORK		Title: TURNSTILE AND ACCESSIBLE PERSONNEL GATE	
Drawn By: BAD	Date: 05/05/10	Drawing Type: FACILITIES STANDARD	Drawing Number: 02830-008
Approved By: CMB	Scale: 1/4"=1'-0"		Revision: C



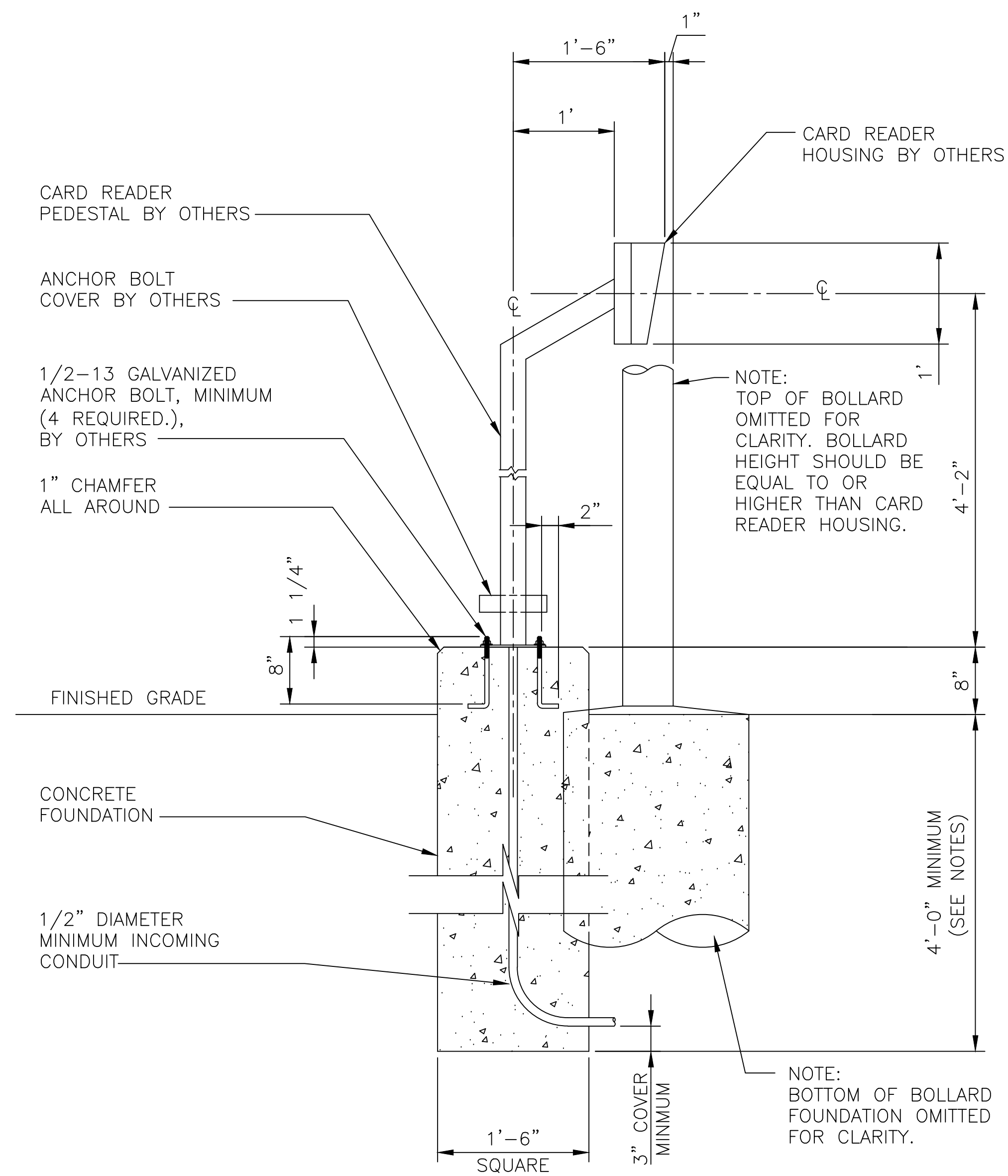
1 TURNSTILE
ACCESS CONTROL DETAIL
SCALE: 3/4"=1'-0"



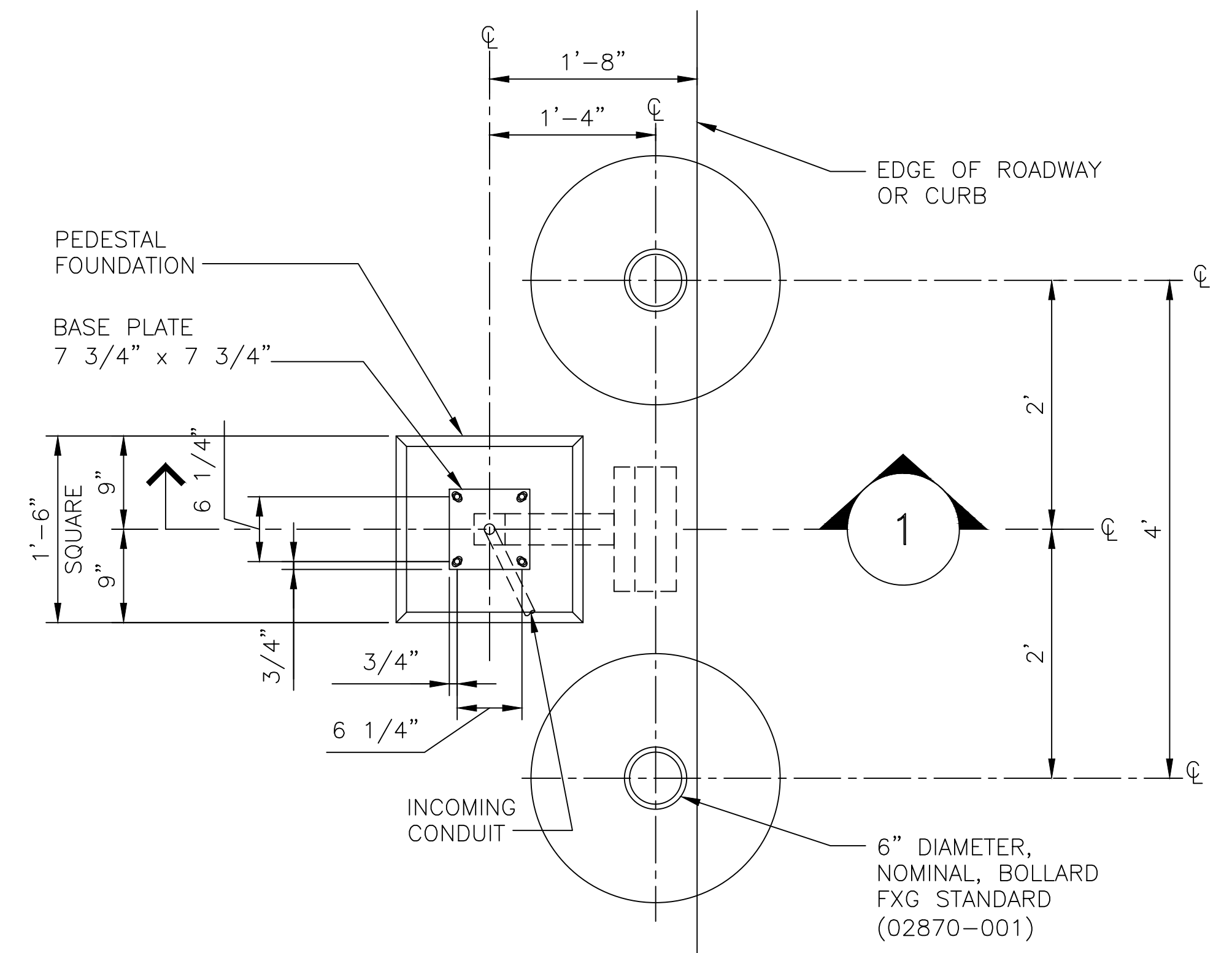
2 TURNSTILE POWER DETAIL
SCALE: 3/4"=1'-0"

- NOTES:
1. TERMINATE ALL CONDUITS WITH WEATHERPROOF MYERS HUBS.
 2. ALL KINDORF CHANNEL & MOUNTING HARDWARE SHALL BE FURNISHED WITH GALV-KROM FINISH.
 3. ALL POWER REQUIREMENTS FOR THE SUCCESSFUL OPERATION OF THE SECURITY PORTAL COMPONENTS SHALL BE FURNISHED AND INSTALLED BY THE LESSOR/ LESSOR'S AGENT.

This drawing is the Proprietary Property of FEDEX GROUND PACKAGE SYSTEM, Inc. and must not be used in any other circumstance except in correlation with our work.		A 01/16/12 UPDATED NOTES.		JDW		FACILITIES & MATERIAL HANDLING SYSTEMS 1000 FedEx Drive Moon Township, PA 15108 412/269-1000		DIVISION: 2 - SITEWORK		Title: TURNSTILE POWER AND ACCESS CONTROL DETAILS	
Rev.	Date	Revised Items		Dr.		D.E.	Drawn By: BAD Approved By: CMB	Date: 05/05/10 Scale: 3/4"=1'-0"	Drawing Type: FACILITIES STANDARD	Drawing Number: 02830-009	Revision: A



1 GATE ENTRY ACCESS PEDESTAL SECTION
SCALE: 1/2"=1'-0"



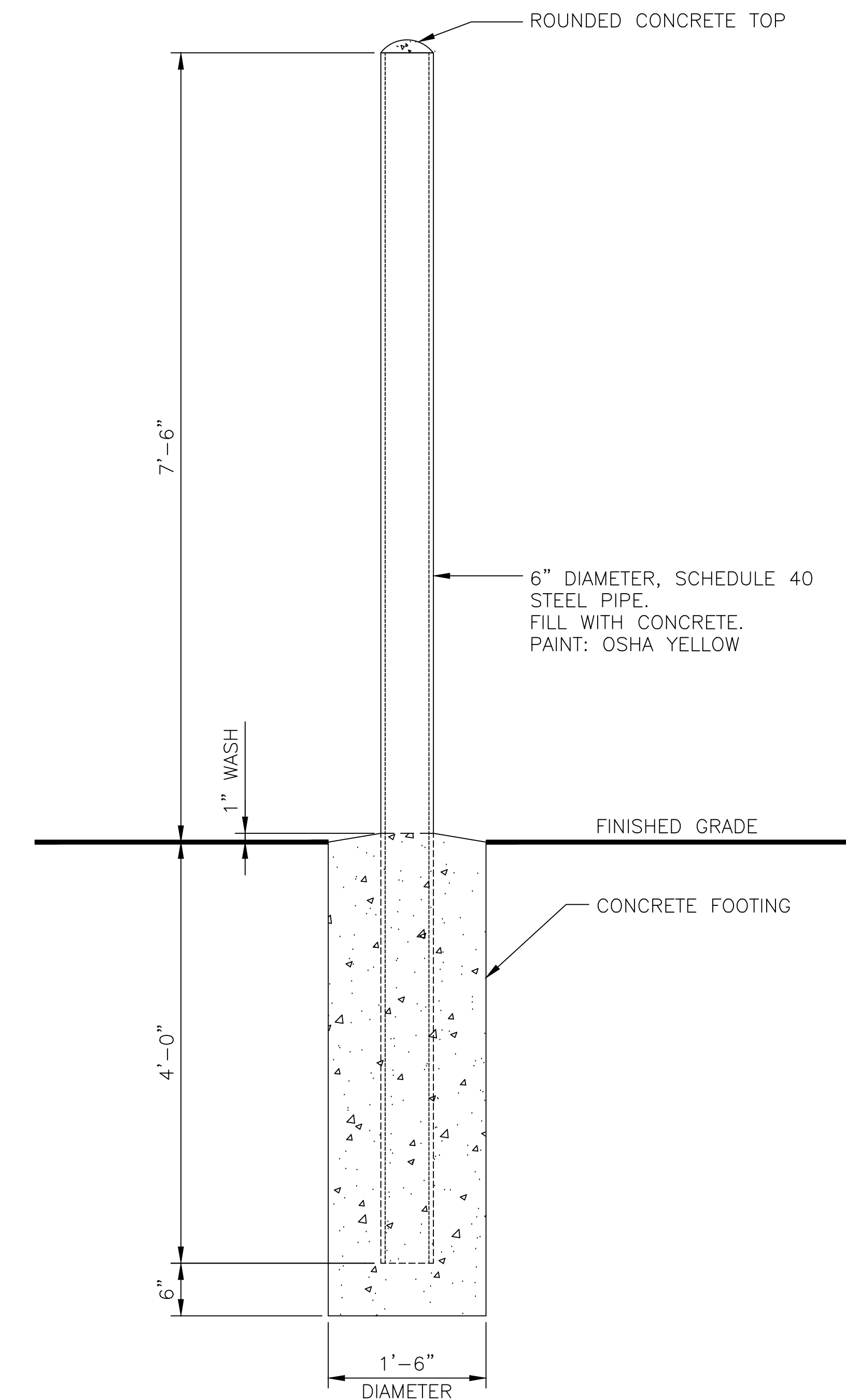
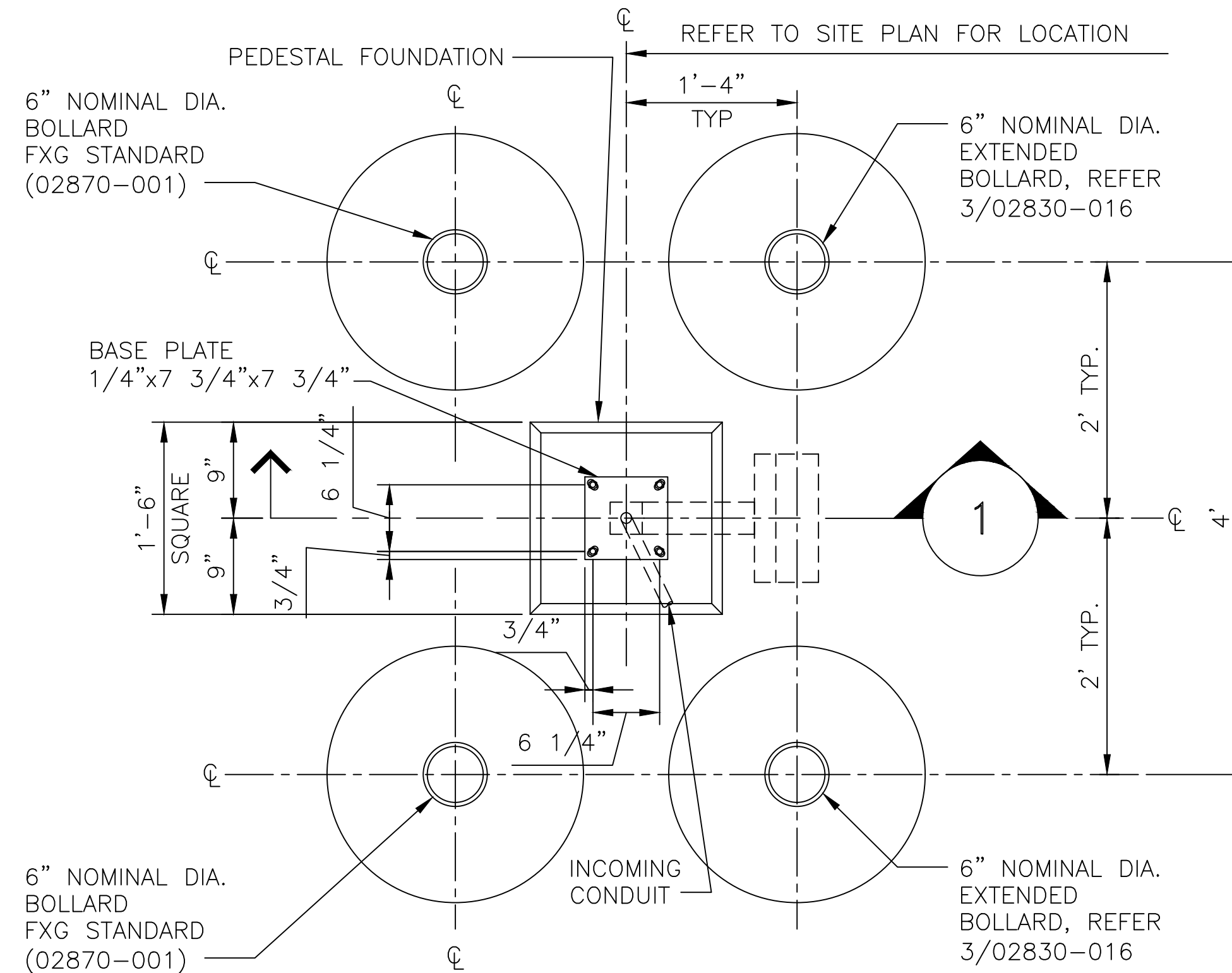
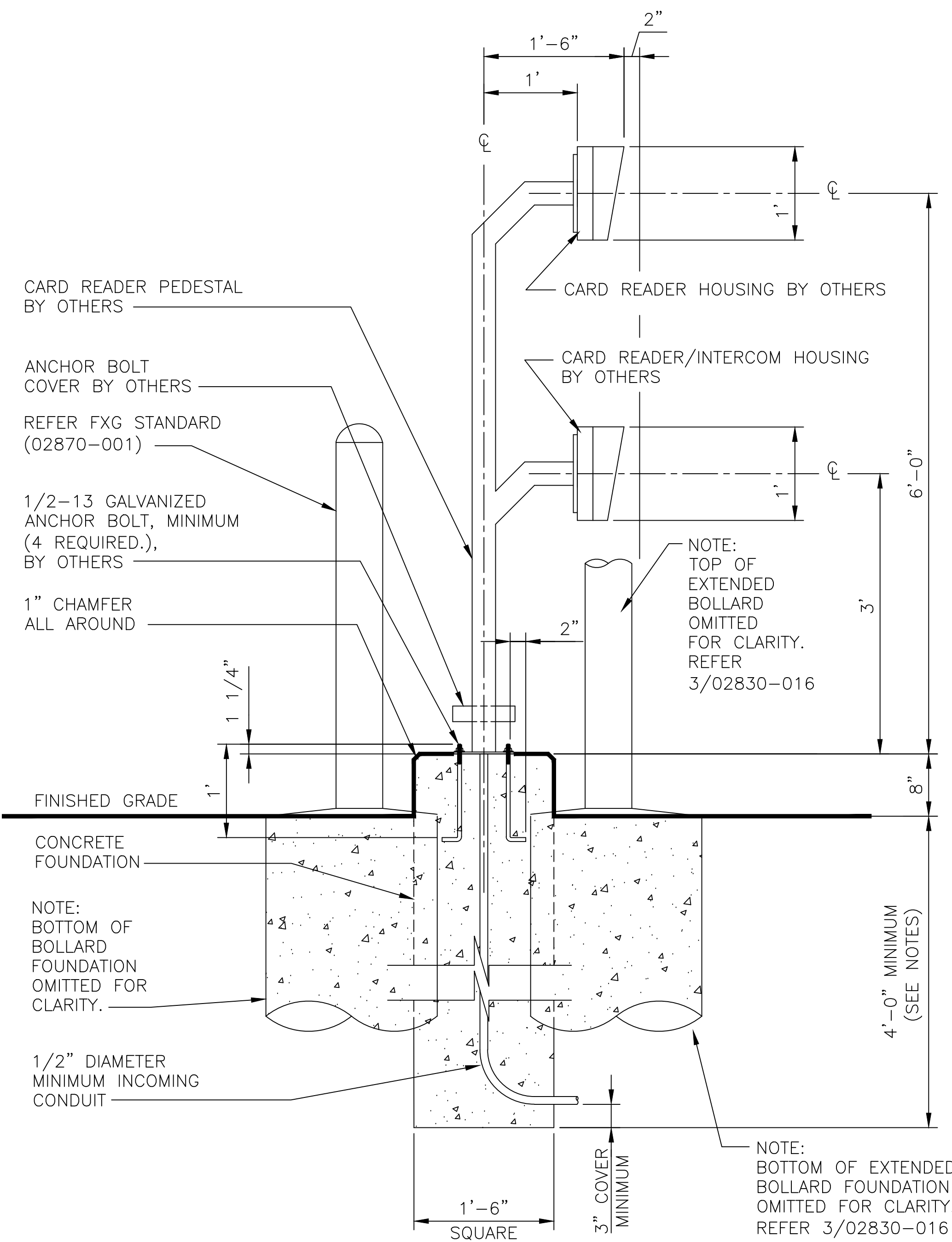
2 GATE ENTRY ACCESS PEDESTAL PLAN
SCALE: 1/2"=1'-0"

- NOTES:
1. THE MINIMUM DEPTH FOR THE PEDESTAL FOUNDATION SHALL BE 4'-0" BELOW THE FINISHED GRADE ELEVATION, AND SHALL BE DESIGNED IN ACCORDANCE WITH THE LOCAL SOIL CONDITIONS AND LOCAL CODES. SAID DESIGN SHALL, WITHOUT EXCEPTION, BE REVIEWED BY A LOCAL ENGINEER.
 2. CONDUIT TO EXIT FOUNDATION BELOW FROST LINE.
 3. PEDESTAL ARRANGEMENT FURNISHED BY FXG PPS DEPARTMENT AND TYCO-IS.

This drawing is the Proprietary Property of FEDEX GROUND PACKAGE SYSTEM, Inc. and must not be used in any other circumstance except in correlation with our work.	E	11-19-18	UPDATED BOLLARD TO 6" DIA.	SER	
	D	08-09-17	CHANGED CENTERLINE OF BOLLARD TO BE 1'-6" AWAY FROM CURB. MODIFIED NOTES TO CLARIFY PEDESTALS TO BE FURNISHED BY PPS & TYCO-IS.	AJE	
	C	05-05-17	UPDATED NOTES AND MOVED BOLLARD POSITION.	RJK	
	Rev.	Date	Revised Items	Dr.	D.E.

FedEx Ground
FACILITIES & MATERIAL HANDLING SYSTEMS 1000
FedEx Drive Moon Township, PA 15108
412/269-1000

DIVISION: 2 - SITEWORK		Title: GATE ENTRY ACCESS PEDESTAL	
Drawn By: BAD	Date: 09/26/11	Drawing Type: FACILITIES STANDARD	Drawing Number: 02830-015
Approved By: CMB	Scale: 1/2"=1'-0"		Revision: E



1 GATE ENTRY ACCESS PEDESTAL – DUAL HEIGHT – SECTION
SCALE: 1/2"=1'-0"

2 GATE ENTRY ACCESS PEDESTAL PLAN
SCALE: 1/2"=1'-0"

3 6" NOMINAL DIA. EXTENDED BOLLARD ELEVATION
SCALE: 1/2"=1'-0"

NOTES:

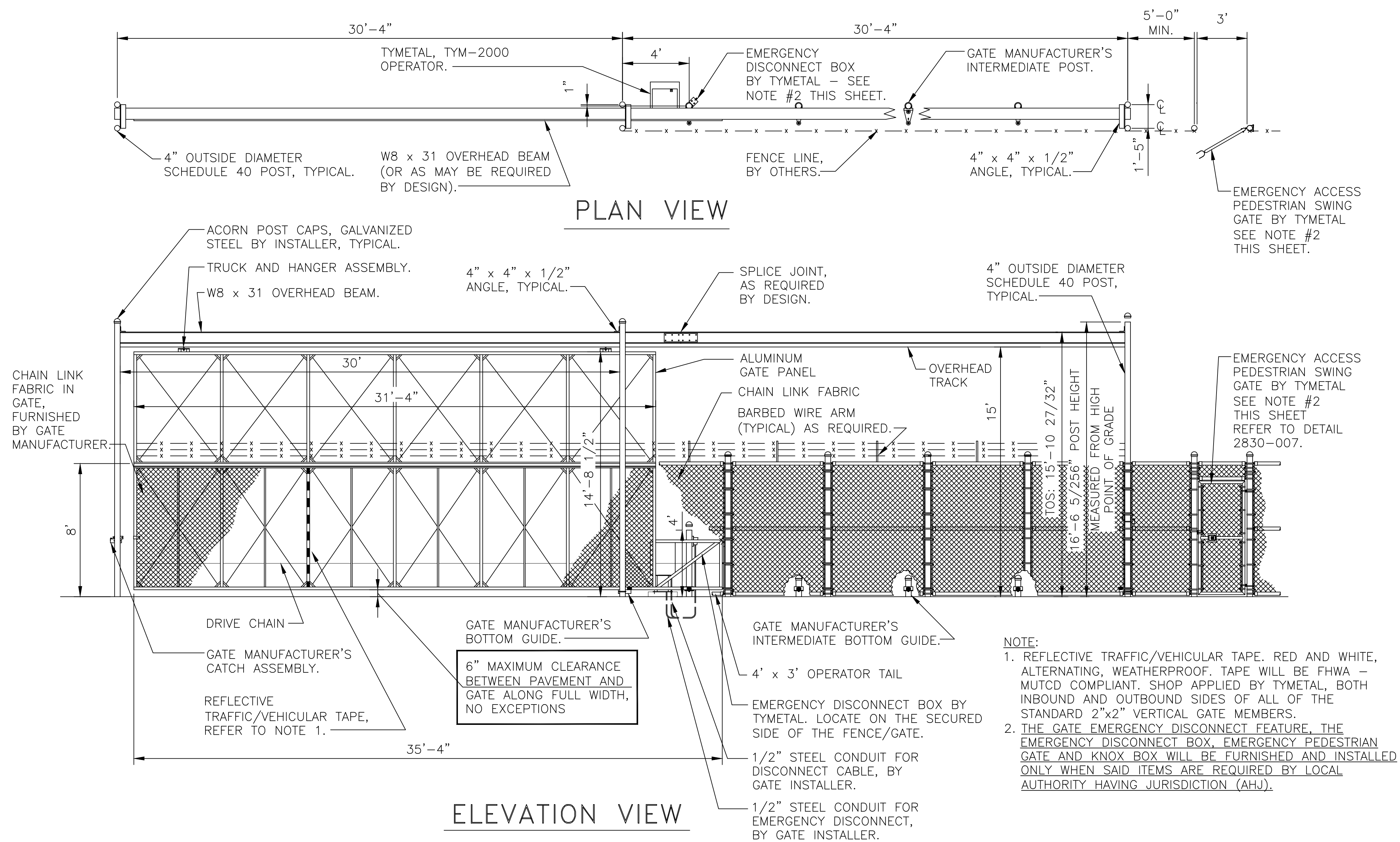
1. THE MINIMUM DEPTH FOR THE PEDESTAL FOUNDATION SHALL BE 4'-0" BELOW THE FINISHED GRADE ELEVATION, AND SHALL BE DESIGNED IN ACCORDANCE WITH THE LOCAL SOIL CONDITIONS AND LOCAL CODES. SAID DESIGN SHALL, WITHOUT EXCEPTION, BE REVIEWED BY A LOCAL ENGINEER.
2. CONDUIT SHALL EXIT FOUNDATION BELOW FROST LINE.
3. PEDESTAL ARRANGEMENT FURNISHED BY FXG PPS DEPARTMENT AND TYCO-IS.

This drawing is the Proprietary Property of FEDEX GROUND PACKAGE SYSTEM, Inc. and must not be used in any other circumstance except in correlation with our work.

Rev.	Date	Revised Items	By	Dr.	D.E.
C	09/18/18	UPDATED BOLLARD TO 6" DIA. UPDATED NOTES FOR CLARITY. ADDED DETAIL 3	AGC		
B	08-09-17	MODIFIED NOTES TO CLARIFY PEDESTALS TO BE FURNISHED BY PPS & TYCO-IS.	AJE		
A	05-05-17	UPDATED NOTES AND MOVED BOLLARD POSITION.	RJK		

FedEx Ground
FACILITIES & MATERIAL HANDLING SYSTEMS 1000
FedEx Drive Moon Township, PA 15108
412/269-1000

DIVISION: 2 – SITEWORK		Title: GATE ENTRY/EXIT ACCESS PEDESTAL-DUAL HEIGHT	
Drawn By: SJN	Date: 07/18/12	Drawing Type: FACILITIES STANDARD	Drawing Number: 02830-016
Approved By: CMB	Scale: 1/2"=1'-0"		Revision: C



PLAN VIEW

ELEVATION VIEW

NOTE:
 1. REFLECTIVE TRAFFIC/VEHICULAR TAPE. RED AND WHITE, ALTERNATING, WEATHERPROOF. TAPE WILL BE FHWA - MUTCD COMPLIANT. SHOP APPLIED BY TYMETAL, BOTH INBOUND AND OUTBOUND SIDES OF ALL OF THE STANDARD 2"x2" VERTICAL GATE MEMBERS.
 2. THE GATE EMERGENCY DISCONNECT FEATURE, THE EMERGENCY DISCONNECT BOX, EMERGENCY PEDESTRIAN GATE AND KNOX BOX WILL BE FURNISHED AND INSTALLED ONLY WHEN SAID ITEMS ARE REQUIRED BY LOCAL AUTHORITY HAVING JURISDICTION (AHJ).

OVERHEAD TRUSS GATE
 SCALE: 1/8"=1'-0"

This drawing is the Proprietary Property of FEDEX GROUND PACKAGE SYSTEM, Inc. and must not be used in any other circumstance except in correlation with our work.	G	05/05/15	UPDATED CLEARANCE NOTE	RJK	FACILITIES & MATERIAL HANDLING SYSTEMS 1000 FedEx Drive Moon Township, PA 15108 412/269-1000	DIVISION: 2 - SITEWORK		Title: OVERHEAD TRUSS GATE		
	F	08/30/12	UPDATED DIMENSIONS AND NOTE LOCATIONS	TKK		Drawn By: RJK	Date: 07/25/08	Drawing Type: FACILITIES STANDARD	Drawing Number: 02830-001	Revision: G
	E	03/27/12	UPDATED NOTES, ADDED EMERGENCY GATE W/ KNOX BOX	JWP		Approved By: CMB	Scale: 1/8"=1'-0"			
	Rev.	Date	Revised Items			Dr.	D.E.			