



# Change Order Request

**Project:** 1923025-02  
La Crosse Center Expansion & Renovation  
400 La Crosse Street  
La Crosse, WI 54601

**COR #** 130.00

**Date:** 12/16/2020

**To: Owner** City of La Crosse  
400 La Crosse Street  
La Crosse, WI 54601

**From:** Kraus-Anderson Construction Company  
151 East Wilson Street, Suite 100  
Madison, WI 53703

**PCO #** 178 - Operable Partion Support Steel

Item #	Description	Vendor	Amount
1	Operable Partion Support Steel	Ted Mannstedt & Son, Inc.	\$4,367.00
2	Operable Partion Support Steel	Fowler & Hammer, Inc.	\$6,268.90
<b>Total For Change Order</b>			<b>\$10,635.90</b>

**Approved By:** City of La Crosse

**Signed:** \_\_\_\_\_

**Date:** \_\_\_\_\_

**Submitted By:** Kraus-Anderson Construction Company

**Signed:** *Peter Linsmeier*

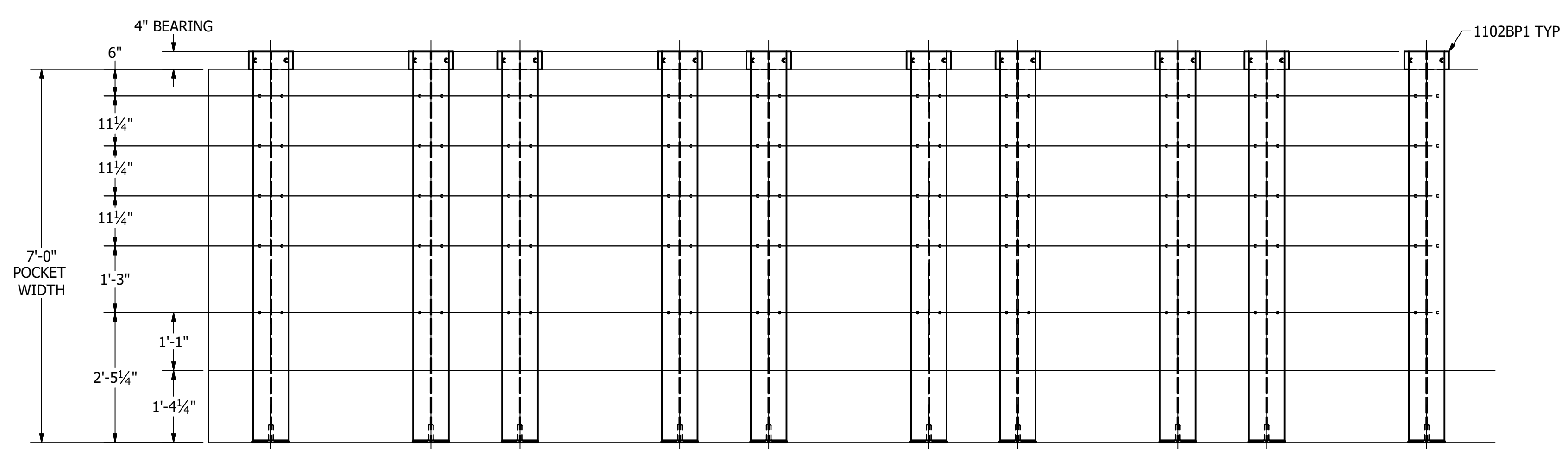
**Date:** 12/23/2020 | 9:42 AM CS

**Accepted By:** I & S Group, Inc.

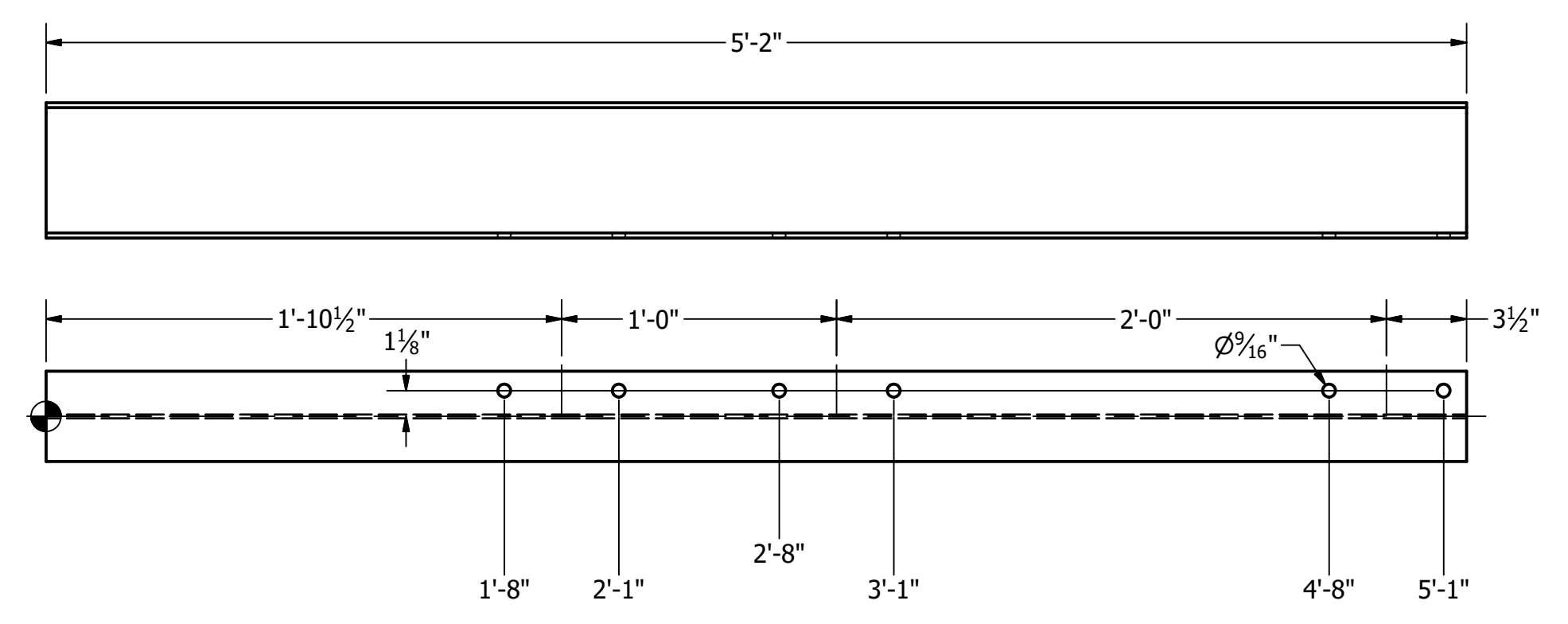
**Signed:** *Kevin Bills*

**Date:** 12/23/2020 | 10:45 AM C

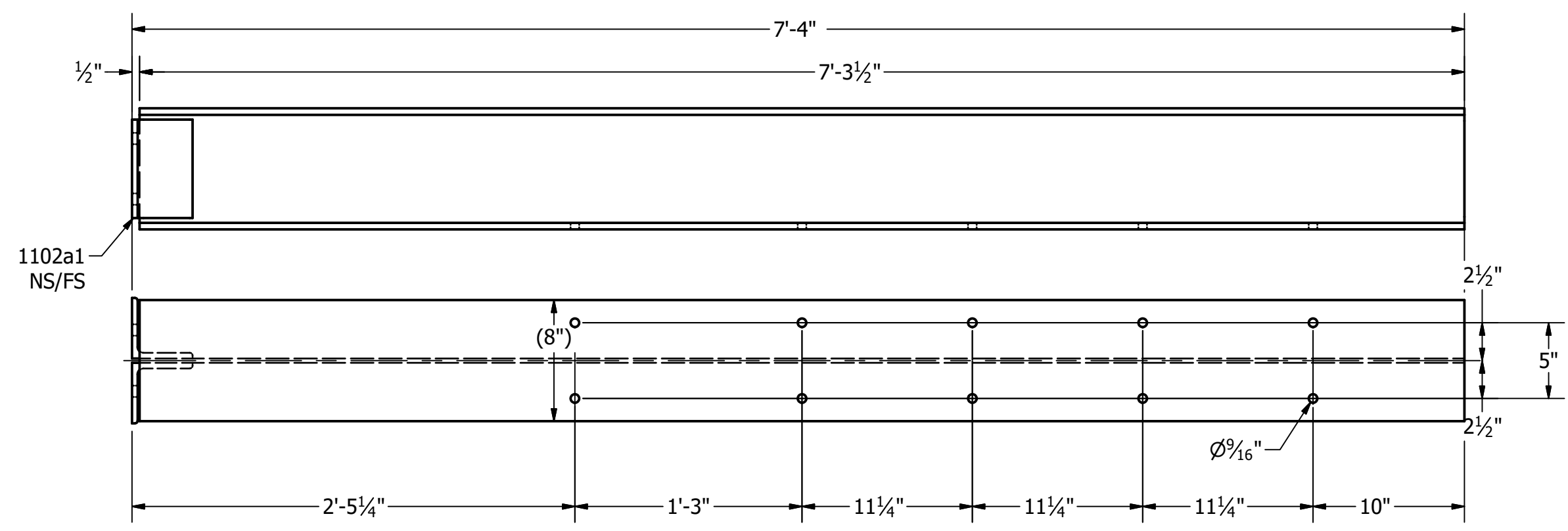
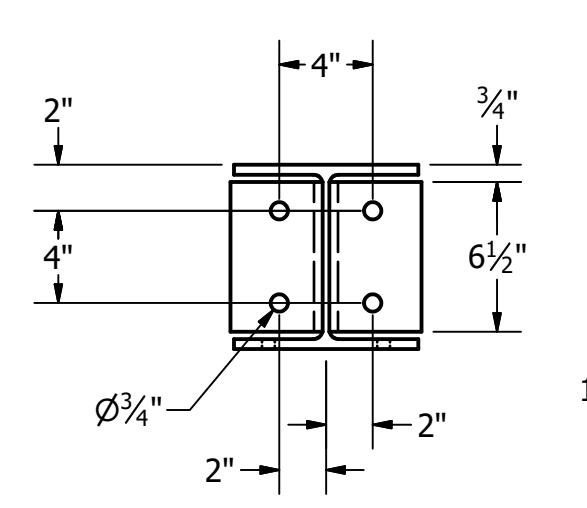
BILL OF MATERIAL				
QTY	PART NUMBER	DESCRIPTION	LENGTH	
21	1102B1	W6 X 9	5'-2"	
10	1102B2	W8 X 31	7'-3 1/2"	
20	1102a1	L4" X 4" X 3/8"	0'-6 1/2"	
4	1102B4	W6 X 9	5'-2"	
10	1102BP1	PL1/2" X 4"	0'-10"	
20	1102ws1	WS1/2" X 4"		
40	1102FB1	1/2" TITEN HD SCREW ANCHOR	0'-5"	



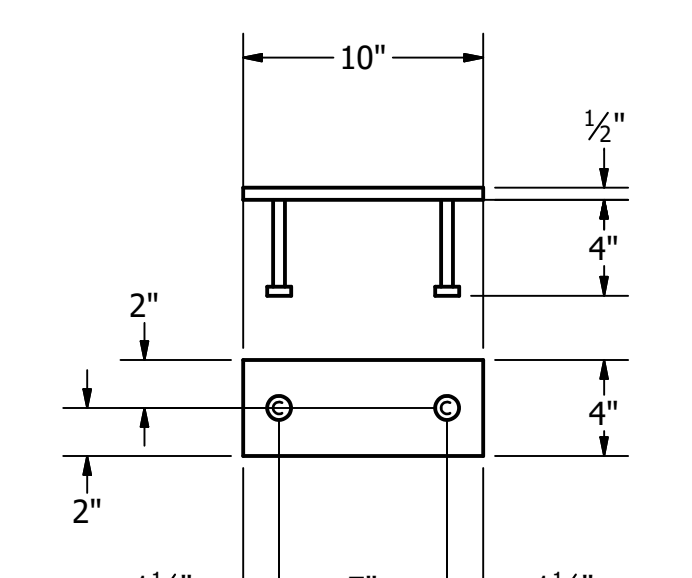
**SUPPORT AT WEST POCKET  
SEE 1102B3**



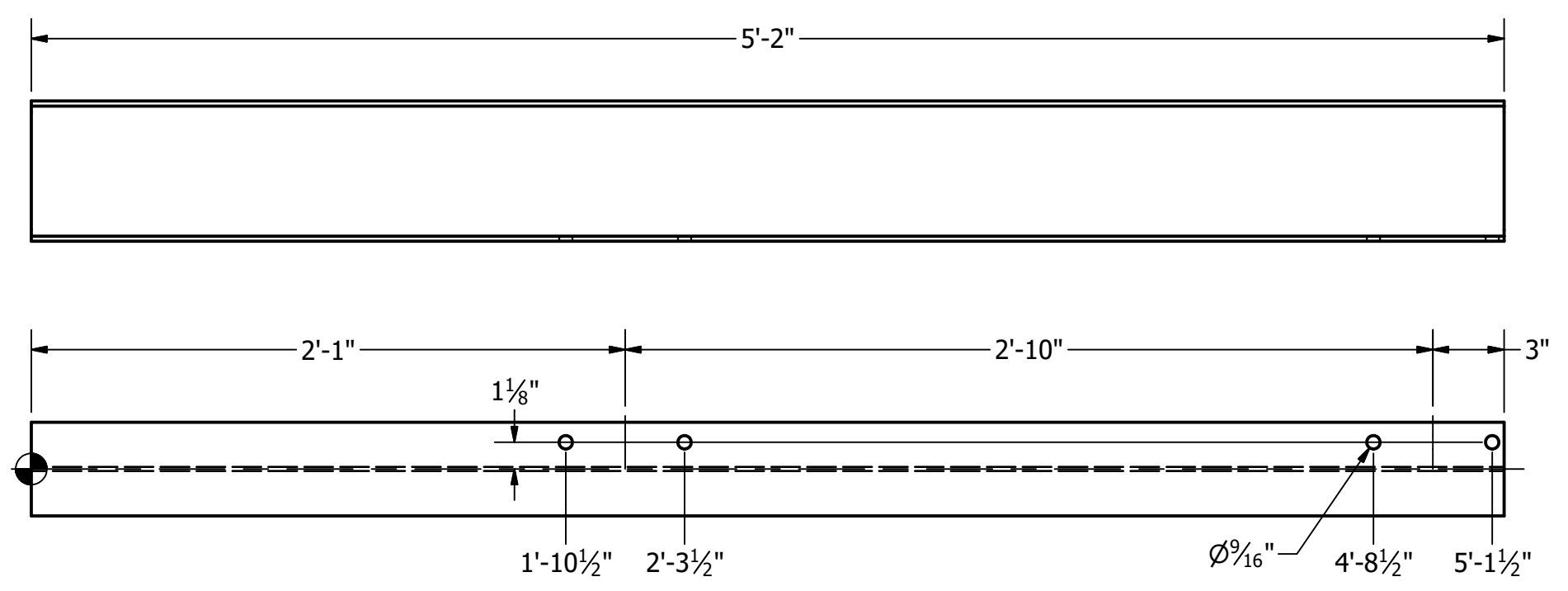
**1102B1 QTY: 21  
W6 X 9**



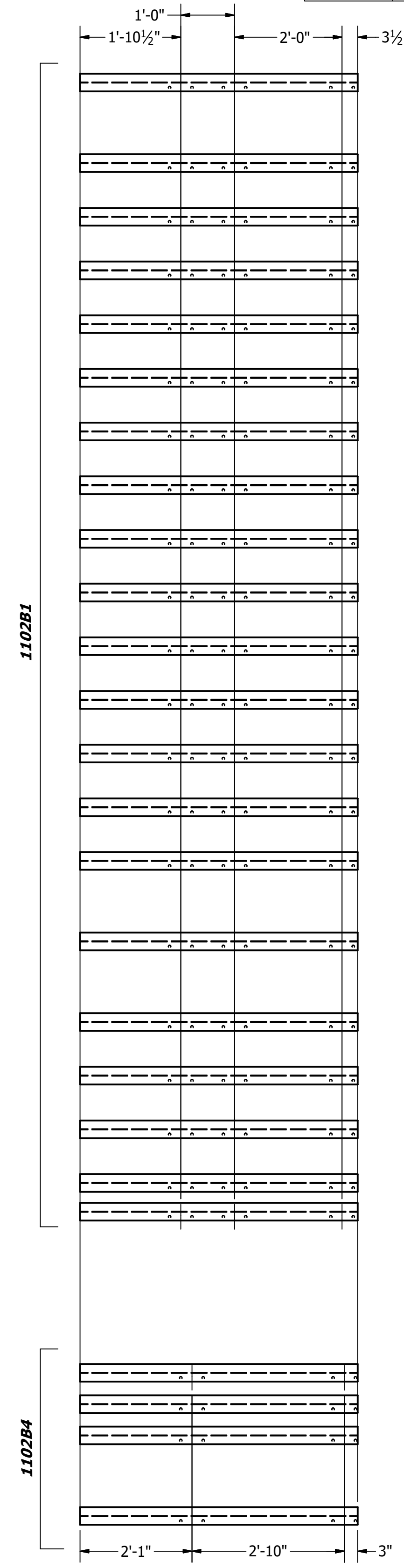
**1102B2 QTY: 10  
W8 X 31**



**1102BP1 QTY: 10  
PL 1/2" X 4"**

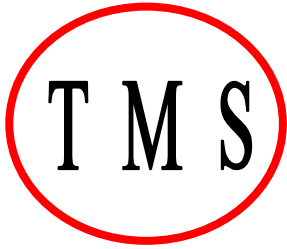


**1102B4 QTY: 4  
W6 X 9**



**SUPPORT AT EAST POCKET  
SEE 1102B1 & 1102B4  
FIELD LOCATE AND WELD TO UNDERSIDE OF JOIST**

RELEASED FOR FABRICATION	SH	11/30/20
REVISED PER JWC COMMENT	SH	11/24/20
REVISED FOR CUSTOMER APPROVAL	SH	11/12/20
REV	DESCRIPTION	DTLR DATE
BACK CHARGES WILL NOT BE HONORED WITHOUT PRIOR AUTHORIZATION		
THESE DRAWINGS HAVE BEEN PREPARED IN ACCORDANCE WITH THE AISC CODE OF STANDARD PRACTICE		
SURFACE PREPARATION: SP-2		<b>TED MANNSTEDT &amp; SONS</b> 1722 MILLER STREET, LA CROSSE WI 54601 PH: (608) 784-1600 FX: (608) 784-1607
PAINT FINISH: SHOP PRIMER		
CONTRACTOR: KRAUS-ANDERSON		PROJECT: LA CROSSE CENTER
DESIGNER: ENGINEER:		
TITLE: PARTITION WALL SUPPORT STEEL		SHEET: <b>S1102</b> ISSUE: <b>0</b>
DETAILED: D. HIEBEL CHECKED: <b>19-033</b>		



## TED MANNSTEDT & SONS, INC.

1722 Miller St.  
LaCrosse, WI 54601  
608-784-1826  
Fax: 608-784-1847

Sales Office:  
651-787-0028  
Fax: 651-787-0028

11/13/20

Kraus-Anderson

CL:  
Job #:

Re: **La Crosse Center S1102 partition beams**  
**La Crosse, WI**

We propose to furnish the following( 0 % Tax Included):

1. Change add for

**ALL FOR THE SUM OF: \$4,367**

**We will incorporate these changes when we receive a signed change order.**

Very Truly Yours,

*Bob Carlson*

Estimator





313 Monitor Street  
 La Crosse, WI 54603  
 Ph : (608)782-6849

**Change Request**

**To:** Peter Linsmeier  
 KRAUS-ANDERSON CONSTRUCTION  
 4125 Terminal Drive  
 Suite 100  
 McFarland, WI 53558  
 Ph: (608)838-5416 Fax: (608)838-5445

**Number:** CR 12  
**Date:** 12/16/20  
**Job:** 19-LC-9019 \*La Crosse Center  
**Phone:**

**Description:**

We are pleased to offer the following specifications and pricing to make the following changes:

**Install partion wall beams**

**equipment:**  
 26' scissors lift - 1 week  
 gas welder - 1 week

**material:**  
 weld rod - 10 lbs

Work performed by us:					
Description		Quantity	Unit	Unit Price	Price
Steel Erectn 2 Stories or Less	Labor	63.00	HR	\$78.00	\$4,914.00
Steel Erectn 2 Stories or Less	Material				\$25.00
Steel Erectn 2 Stories or Less	Equipment				\$760.00
<b>Subtotal:</b>					<b>\$5,699.00</b>
<b>Subtotal:</b>					<b>\$5,699.00</b>
	Self Performed OHP	\$5,699.00		10.00%	\$569.90
	Subcontractor OHP				\$0.00
<b>Total:</b>					<b>\$6,268.90</b>

If you have any questions, please contact me at (608)782-6849.

Submitted by: Mike Allen  
 FOWLER & HAMMER INC

Approved by: \_\_\_\_\_  
 Date: \_\_\_\_\_

Cc: File

# ADDITIONAL WORK AUTHORIZATION



313 MONITOR STREET  
 LA CROSSE, WI 54603  
 P: 608-782-6849  
 WWW.FOWLERHAMMER.COM

2586

CUSTOMER NAME		PHONE	DATE
STREET		JOB NAME	JOB NUMBER
CITY	STATE	JOB ADDRESS	
EXISTING CONTRACT NO.		CITY	STATE

12-3-20 - 12-4-20

LC-9019

DESCRIPTION Install Partition wall Beams

LABOR

OCCUPATION	EMPLOYEE NAME	M	T	W	T	F	S/S	HRS	RATE	TOTAL
Iron Worker	Erik Brennan				2	5				7
Iron Worker	Jamin Ruten					5				5

MATERIAL/EQUIPMENT

ITEM	QUANTITY	UNIT PRICE	TOTAL
26' scissers lift	1 (5hrs)		

LABOR TOTAL \_\_\_\_\_

TOTAL MATERIAL/EQUIPMENT \_\_\_\_\_

TOTAL LABOR \_\_\_\_\_

TOTAL ADDITIONAL CHARGE FOR ABOVE WORK

Above additional work to be performed under same conditions as specified in original contract unless otherwise stipulated.

Date \_\_\_\_\_ Authorizing Signature \_\_\_\_\_ (OWNER SIGNS HERE)

Approved By *M. Davis* \_\_\_\_\_ Date \_\_\_\_\_ (CONTRACTOR SIGNS HERE)

Print Name \_\_\_\_\_

NOTE: This Revision becomes part of, and in conformance with, the existing contract.

**ADDITIONAL WORK AUTHORIZATION**

313 MONITOR STREET  
LA CROSSE, WI 54603  
P: 608-782-6849  
WWW.FOWLERHAMMER.COM

2587

CUSTOMER NAME		PHONE	DATE 12-7-20 - 12-11-20
STREET		JOB NAME	JOB NUMBER LC-9019
CITY	STATE	JOB ADDRESS	
EXISTING CONTRACT NO.		CITY	STATE

DESCRIPTION *Install Partition wall Beams*

## LABOR

OCCUPATION	EMPLOYEE NAME	M	T	W	T	F	S/S	HRS	RATE	TOTAL
<i>Iron Worker</i>	<i>Erik Brennan</i>	<i>8</i>	<i>8</i>	<i>8</i>				<i>24</i>		
<i>Iron Worker</i>	<i>Jamin Raifm</i>	<i>8</i>	<i>8</i>	<i>8</i>	<i>2</i>	<i>1</i>		<i>27</i>		

LABOR TOTAL \_\_\_\_\_

## MATERIAL/EQUIPMENT

ITEM	QUANTITY	UNIT PRICE	TOTAL
<i>Gas Welder</i>	<i>1</i>		
<i>26' scissors lift</i>	<i>1</i>		
<i>10 lbs 7018 welding rod</i>	<i>10 lbs</i>		

TOTAL MATERIAL/EQUIPMENT \_\_\_\_\_

TOTAL LABOR \_\_\_\_\_

TOTAL ADDITIONAL CHARGE FOR ABOVE WORK 

Above additional work to be performed under same conditions as specified in original contract unless otherwise stipulated.

Date \_\_\_\_\_ Authorizing Signature \_\_\_\_\_ (OWNER SIGNS HERE)

Approved By *M. Raifm* \_\_\_\_\_ Date \_\_\_\_\_ (CONTRACTOR SIGNS HERE)

Print Name \_\_\_\_\_