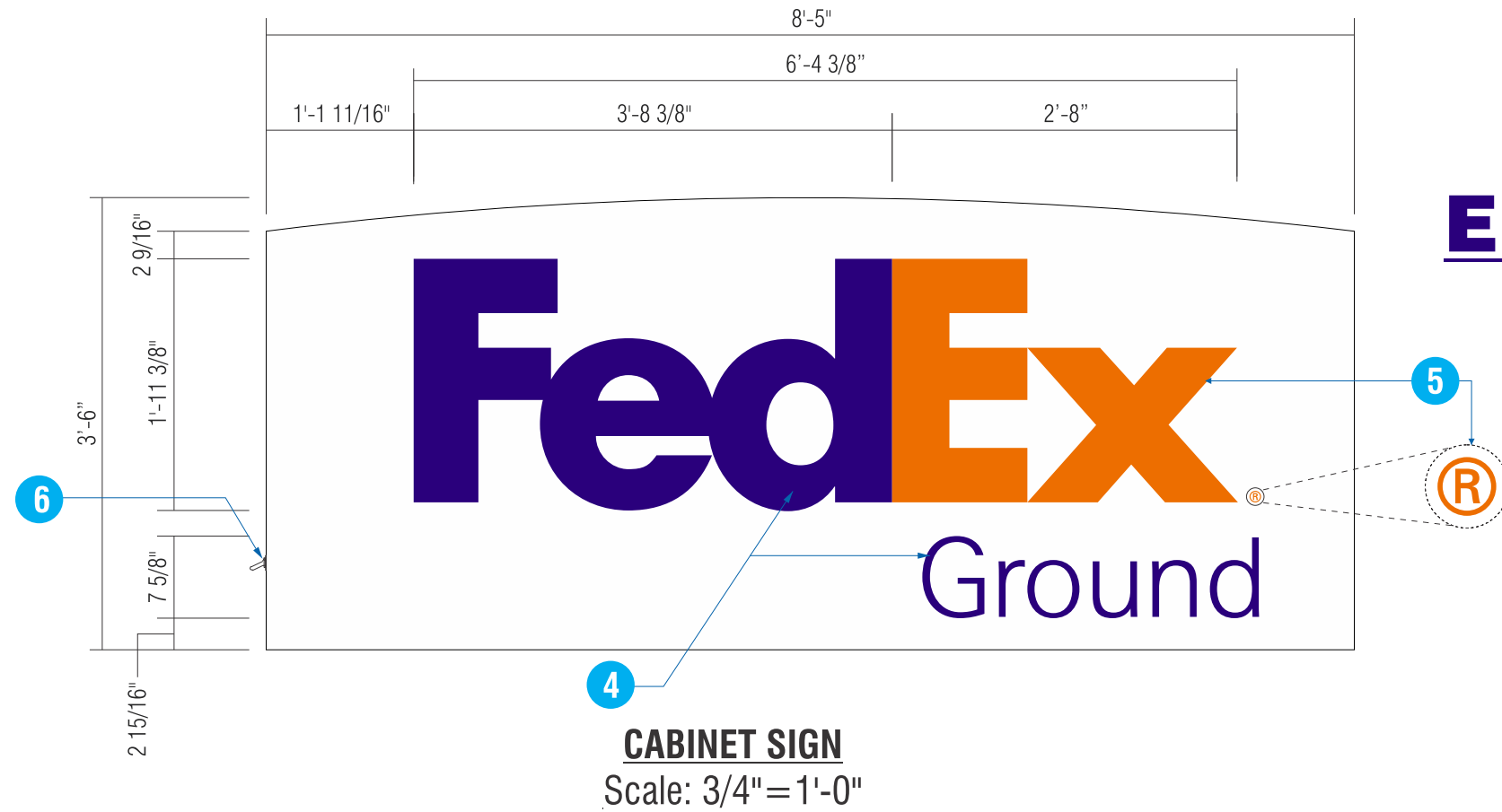
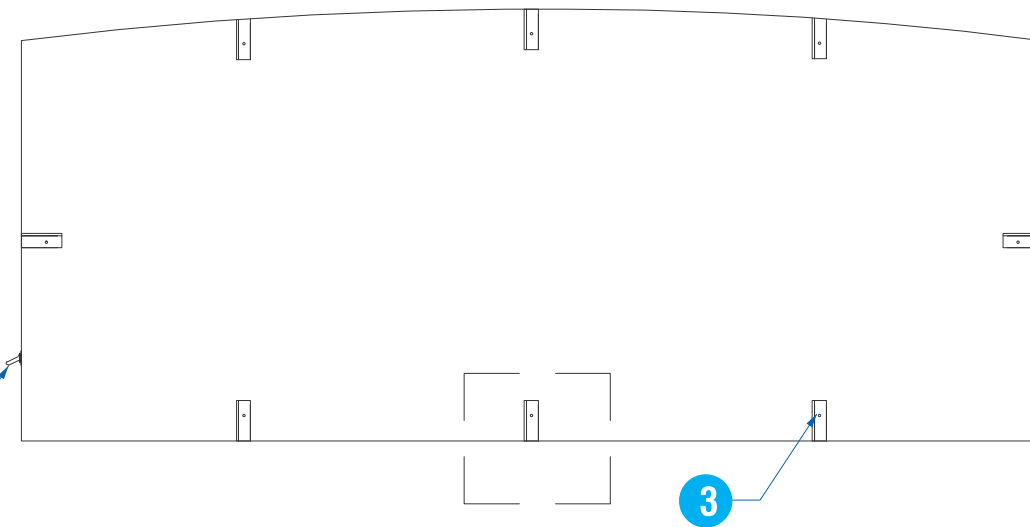
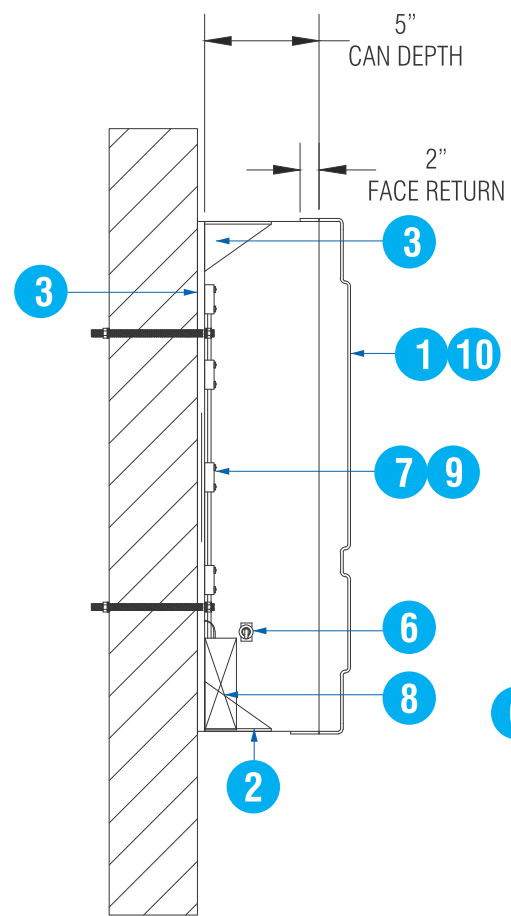


GUSSET DETAILS

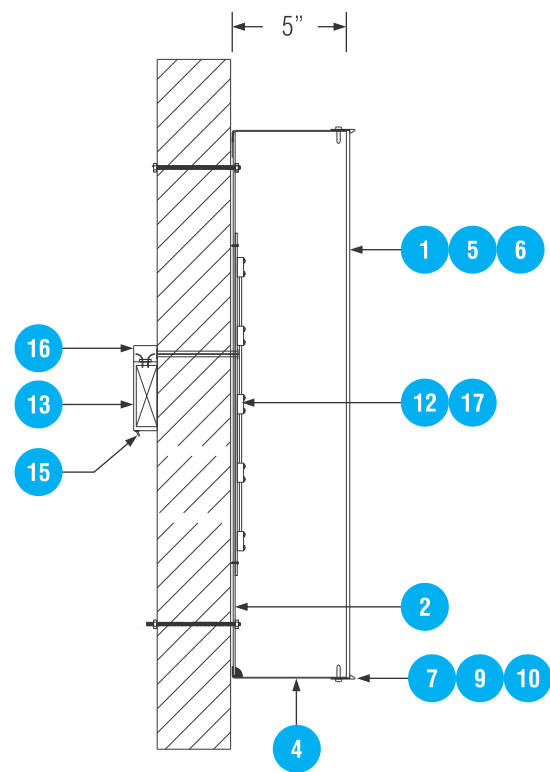


E122G

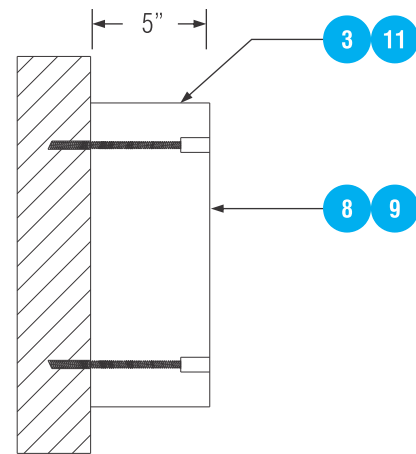


PART DESCRIPTIONS	
1.	.150" X 100" X 400" WHITE #302 SG POLYCARBONATE REEL
2.	.040" X 5.3" WHITE/WHITE ALUMINUM COIL *270'3105-H14
3.	.063" X 4' X 8' MILL FINISH ALUMINUM *3003-H14
4.	PURPLE TRANSLUCENT VINYL 3M 3635-70 48" x 50 YARDS / APPLIED 1ST SURFACE
5.	ORANGE TRANSLUCENT VINYL 3M 3635-30 48" x 50 YARDS / APPLIED 1ST SURFACE
6.	20 amp TOGGLE SWITCH AND BOOT
7.	GOQ 3 LED COOL WHITE 6.000-7.000K
8.	POWER SUPPLY LPV-60-12 MEANWELL 120v
9.	LED WIRE CLIP, ALLIANCE WCA003A - 1 CLIP PER 3 LEDs
10.	BACK SPRAY WHITE
11.	BULK #8 X 1/2" SHEET METAL SCREW / FLAT-HEAD
12.	BULK 24 GAUGE 2 PAIR STRANDED BELDEN 982 HOUSTON WIRE CABLE 9829
13.	BULK 3/8" X 6' ALL-THREAD
14.	BULK 3/8" LOCK WASHER GRADE 5
15.	BULK 3/8" FLAT WASHER GRADE 5
16.	BULK 3/8" HEX NUT GRADE 5
17.	BULK PLASTIC CROMMET 3/8" HEYCO2020 SB-375-3 SMALL CENTER HOLE
18.	BULK 1/2" PLASTIC BUSHING GROMMET ARLINGTON 4400-ARL
19.	BULK #10 X 3/4" TEK-SCREW/HEX-HEAD

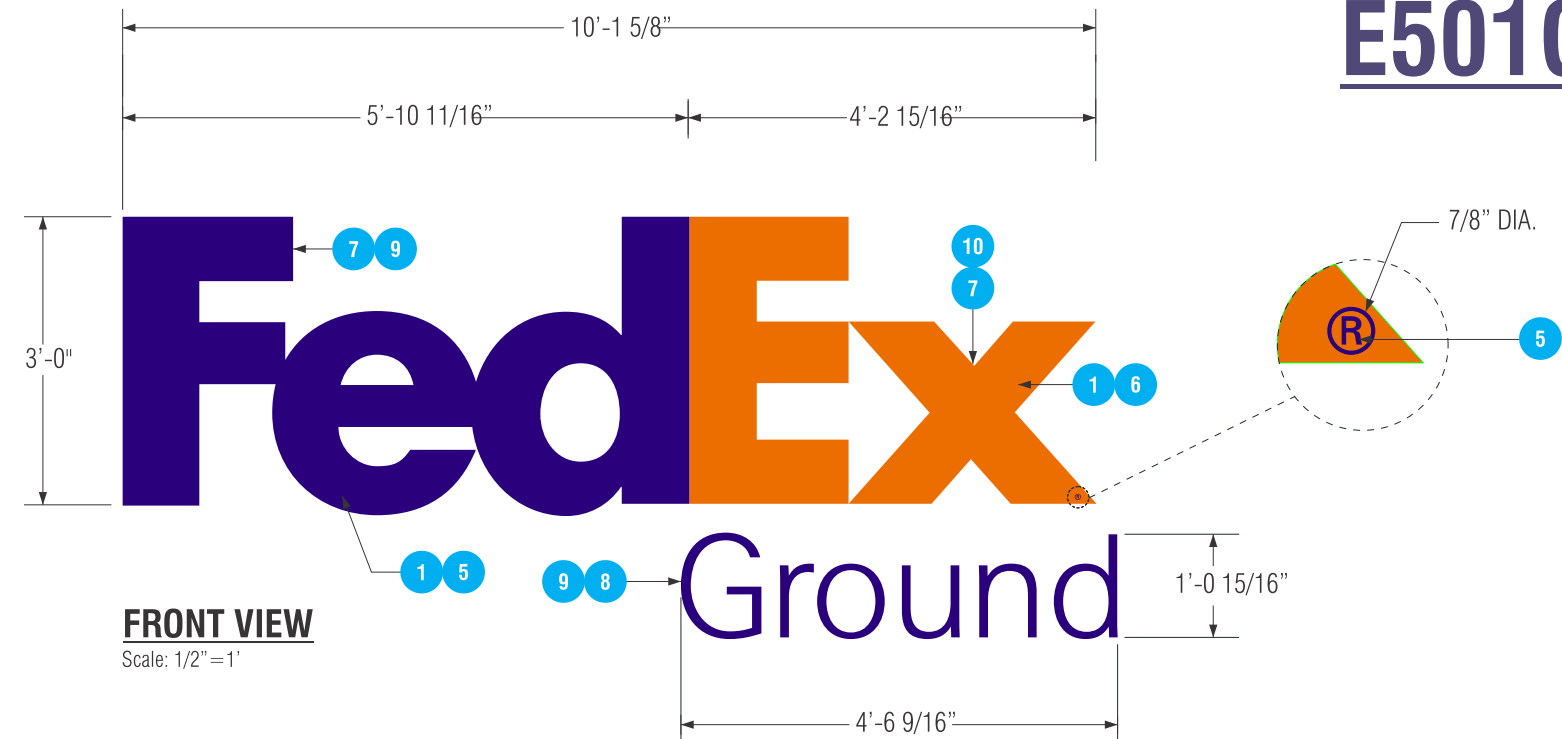
E501G



"FEDEX" CROSS SECTION



"GROUND" CROSS SECTION



PART DESCRIPTIONS

1. .150" x 100" x 400" WHITE #302 SG POLYCARBONATE REEL
2. 3MM X 5' X 10' WHITE OMEGABOND - ACM Sheet / POP RIVET CONSTRUCTION
3. .063 x 4' x 8' 3003 H14 MF - Alum. Sheet / RETURNS OF GROUND LETTERS
4. .063" x 5.33" WHITE/WHITE ALUMINUM COIL / RETURNS OF FEDEX LETTERS
5. PURPLE TRANSLUCENT VINYL 3M 3635-70 48" x 50 YARDS / APPLIED 1ST SURFACE
6. ORANGE TRANSLUCENT VINYL 3M 3635-30 48" x 50 YARDS / APPLIED 1ST SURFACE
7. 1" X 10' JEWELITE WHITE LENGTH
8. .080 x 4' x 8' 3003 H14 MF - Alum. Sheet / FACE WELDED CONSTRUCTION
9. PAINT: PMS #268C / PURPLE (FED, GROUND)
10. PAINT: PMS #360C / GREEN (EX)
11. PAINT: WHITE ESM 903653
12. GOQ 3 LED Cool white 6.000-7.000K
13. POWER SUPPLY LPV-60-12 MEANWELL 120V
14. Bulk 24 GAUGE 2 PAIR STRANDED *BELDEN 9829 HOUSTON WIRE CABLE 9829
15. 20 AMP TOGGLE SWITCH AND BOOT
16. 2" x 4" HANDY BOX and LID
17. Led Wire Clip, Alliance *WCA003A
18. Bulk PLASTIC GROMMET *3/8" HEYCO2020 SB-375-3 SMALL CENTER HOLE
19. Bulk #7 x 7/16" STINGER SCREW/ROUND-HEAD/PHILLIPS HEAD/ PAINT TO MATCH TRIM
20. Bulk 1/4" ROD COUPLING / GROUND MOUNTING
21. Bulk 1/4"x 6' ALL-THREAD / GROUND MOUNTING & MOUNTING SINAGE TO WALL
22. Bulk 1/4" FLAT WASHER GRADE 5 / MOUNTING SINAGE TO WALL
23. Bulk 1/4" LOCK WASHER GRADE 5 / MOUNTING SINAGE TO WALL
24. BULK 1/4" HEX NUT GRADE 5 / MOUNTING SINAGE TO WALL
25. Bulk 1/4-20 NUT SERT ALS 4-420-260 / FEDEX MOUNTING