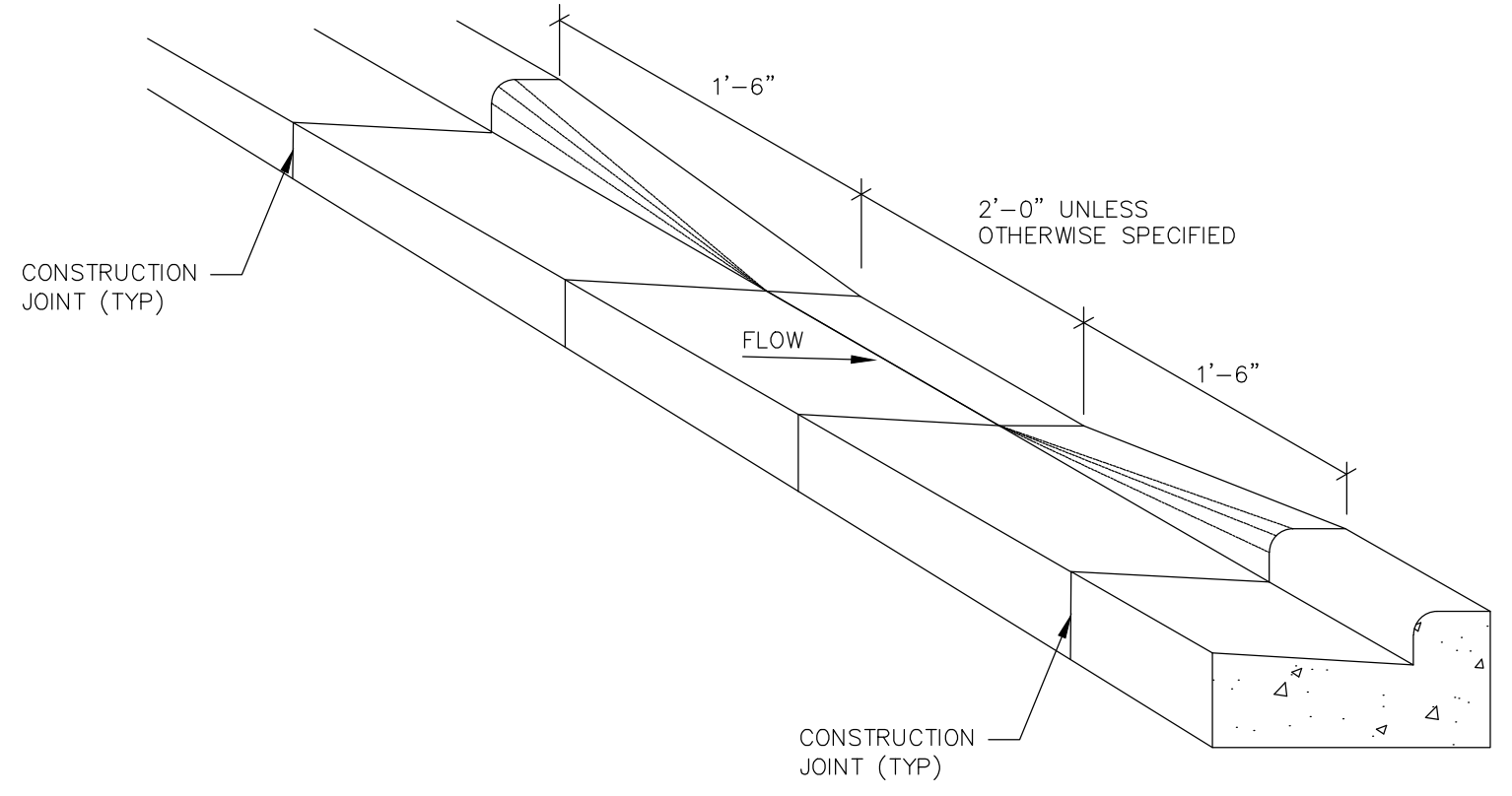


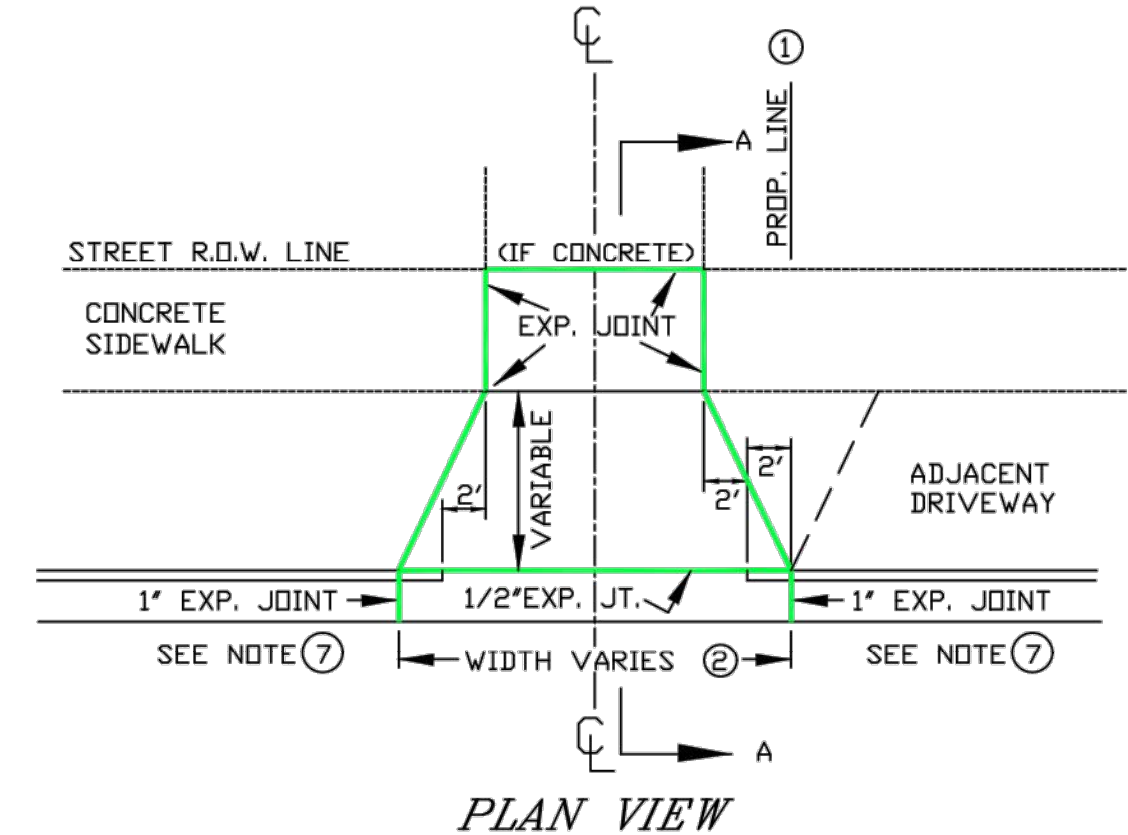
- NOTE:
1. USE 4% GUTTER CROSS SLOPE UNLESS OTHERWISE NOTED IN THE PLANS.
 2. THE BOTTOM OF CURB AND GUTTER MAY BE CONSTRUCTED EITHER LEVEL OR PARALLEL TO THE SLOPE OF THE SUBGRADE OR BASE AGGREGATE PROVIDED A 6" MIN. GUTTER THICKNESS IS MAINTAINED.
 3. SEE SITE PLAN & GRADING PLAN FOR INVERTED & SHEDDING CURB LOCATIONS

18" CONCRETE CURB & GUTTER DETAIL
NO SCALE

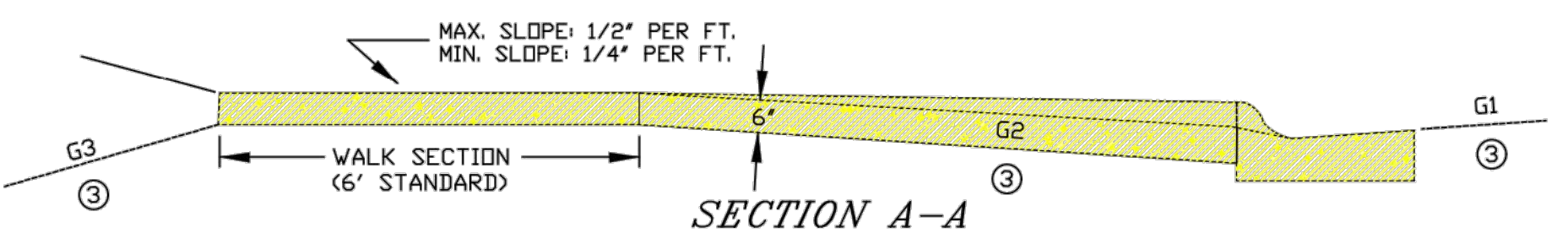


CURB CUT DETAIL
NO SCALE

*DRAWINGS
NOT TO SCALE*



PLAN VIEW

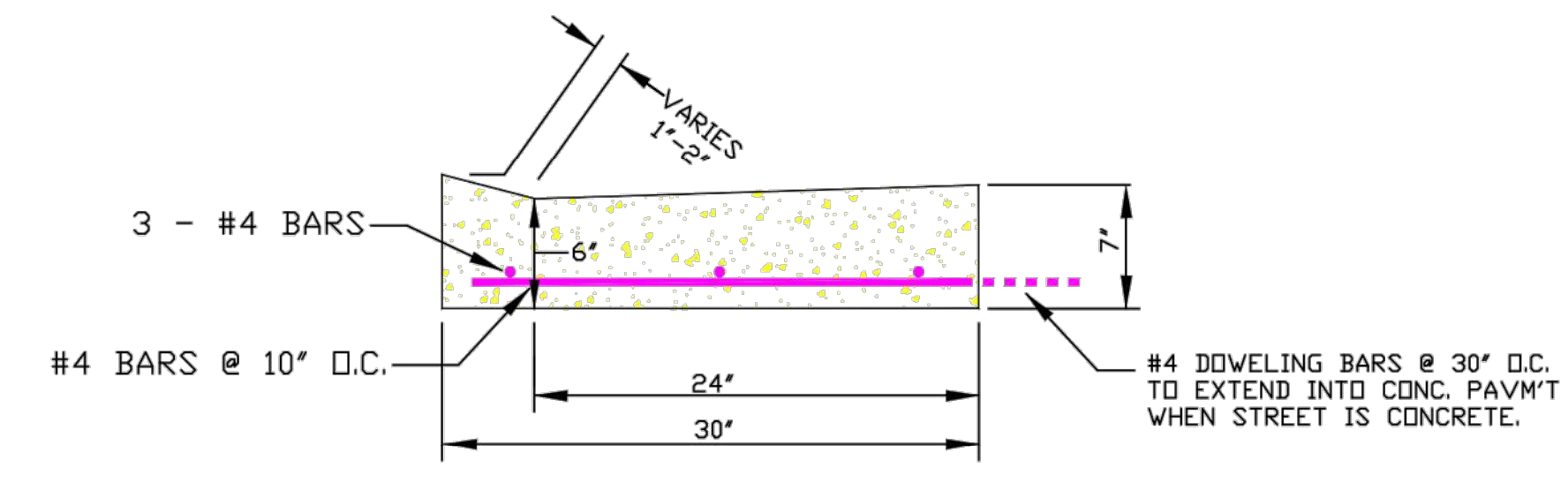


SECTION A-A

1. DRIVE SECTION SHALL NOT OVERLAP PROPERTY LINE EXTENDED, EXCEPT WHERE PERMITTED BY THE ENGINEER, OR WHEN A JOINT DRIVEWAY AGREEMENT IS EXECUTED BY OWNERS OF ADJACENT PROPERTIES.
2. MAX. DRIVEWAY WIDTH AT THE CURB AND SIDEWALK IS SET FORTH IN CITY ORDINANCE 5.03.
3. THE BREAKOVER ANGLE (CAUSE OF CARS BOTTOMING) BECOMES CRITICAL WHEN THE ALGEBRAIC DIFFERENCE OF GRADES (G1, G2, & G3) EXCEEDS 11%.
4. A REINFORCED DRIVE SECTION IS **REQUIRED FOR CURB & GUTTER IN AREAS ZONED INDUSTRIAL OR COMMERCIAL.**
5. BACK OF CURB TO FRONT OF CONC. SIDEWALK MUST BE CONCRETE, BRICK OR ASPHALTIC BITUMINIOUS.
6. **MECHANICAL COMPACTION** OF SUBSOIL IN LAYERS LESS THAN 12" TO ACHIEVE MINIMUM COMPACTION OF 95% OF MAXIMUM DENSITY FROM MODIFIED PROCTOR IS **REQUIRED.** (INCLUDING STREET SIDE AFTER FORMS ARE REMOVED)
7. EXPANSION JOINT IS REQUIRED AT BOTH ENDS OF DRIVEWAY WHEN ONLY DRIVEWAY IS INSTALLED OR REPLACED. WHEN ENTIRE BLOCK OF CURB & GUTTER IS INSTALLED THE EXPANSION JOINT AT DRIVEWAY ENDS MAY BE OMITTED.

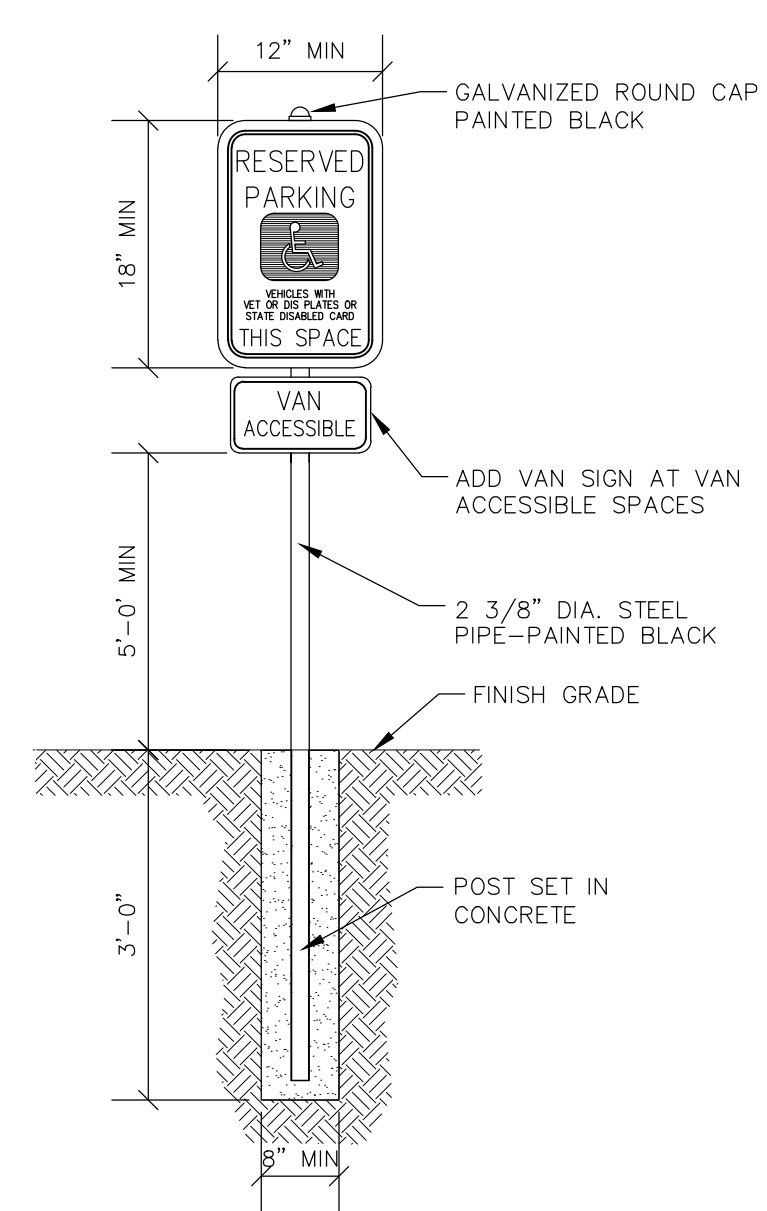
NOTE: TURNING OF 2" DIAMETER DRIVEWAY RETURNS IN LIEU OF DIMINISHING HEAD AS SHOWN IS PERMITTED IF DESIRED BY PROPERTY OWNER. INSTALLATION OF A DRIVEWAY BY REMOVING EXISTING CURB HEAD ONLY IS NOT ALLOWED. ENTIRE EXISTING C&G MUST BE REMOVED FOR NEW DRIVEWAYS. REMOVAL OF A MINIMUM 12" WIDTH OF BITUMINIOUS TO INSTALL FRONT FORMS IS REQUIRED.

STANDARD DRIVEWAY DETAIL

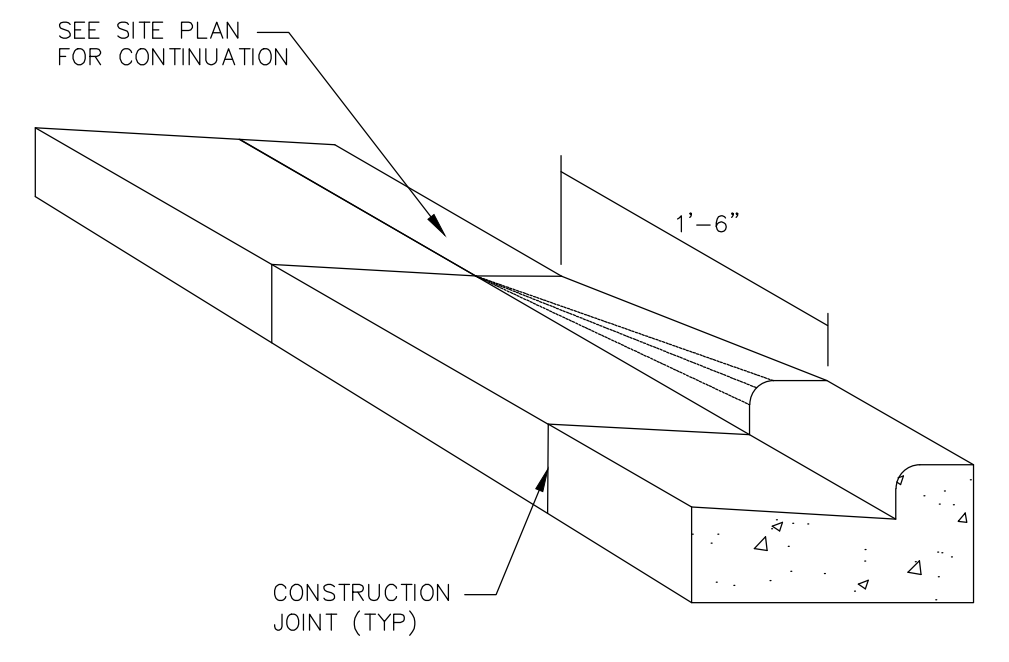


REINFORCED DRIVEWAY

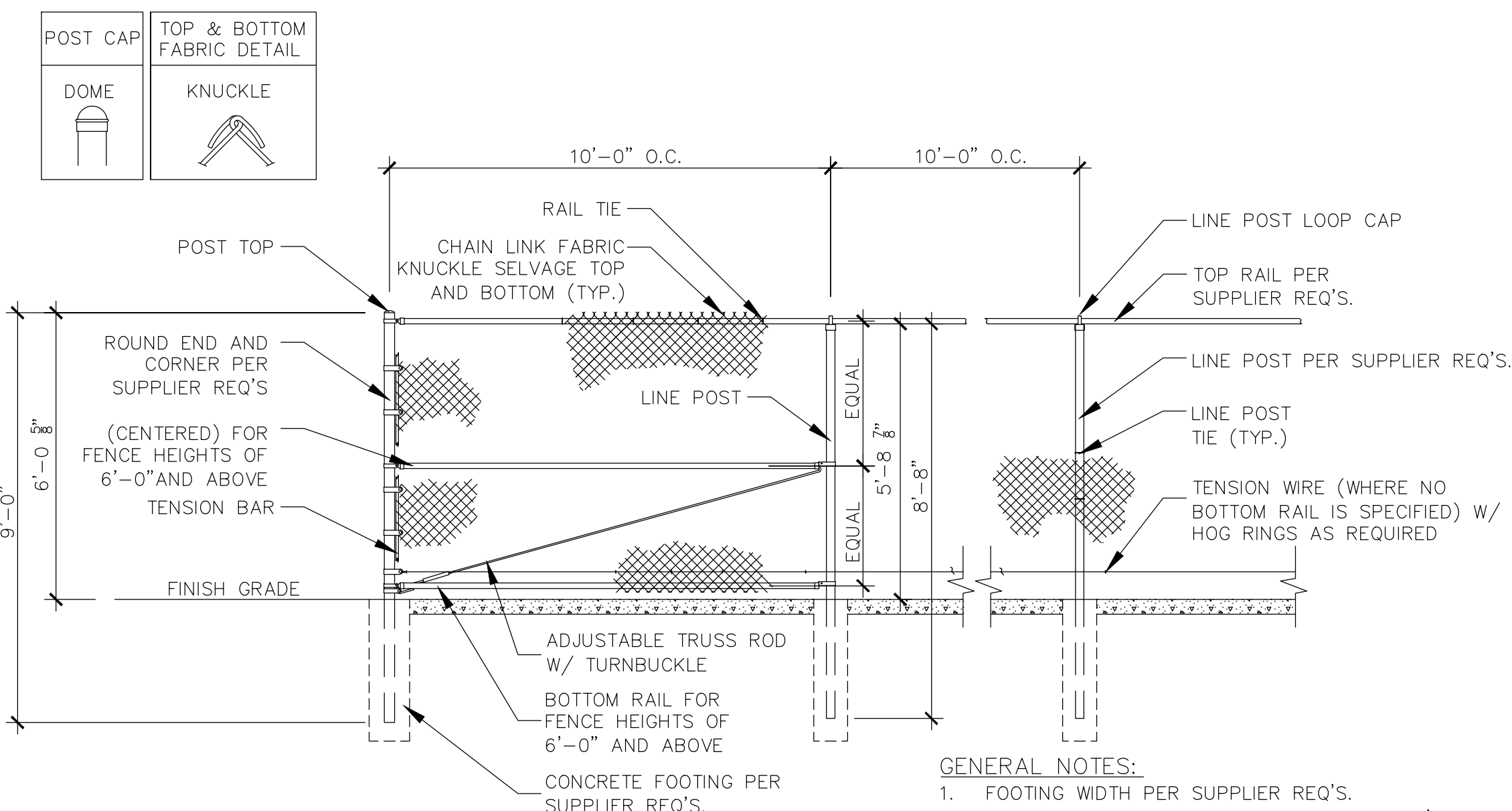
CITY OF LA CROSSE DRIVEWAY DETAILS
NO SCALE



HANDICAP SIGNAGE WITH CONCRETE BASE DETAIL
NO SCALE



CURB TAPER DETAIL
NO SCALE



- GENERAL NOTES:
1. FOOTING WIDTH PER SUPPLIER REQ'S.
 2. ALL MATERIAL SHALL BE PER SUPPLIER REQ'S.
 3. ALL GALVANIZED FITTINGS TO CONFORM TO ASTM-A153.
 4. ALL FENCE COMPONENTS TO BE VINYL COATED. COLOR BY OWNER.
 5. ALL TIES SHALL BE STEEL PER SUPPLIER REQ'S.
 6. POST AND RAIL SIZES MAY REQUIRE MODIFICATION TO MEET SPECIFIC PROJECT REQUIREMENTS. FINAL SIZING BY SUPPLIER.

6' HIGH CHAINLINK FENCE DETAIL
NO SCALE

PROPOSED PARKING LOT IMPROVEMENTS
CITY BREWING COMPANY, LLC
1106 3RD STREET S • LA CROSSE, WI 54601

PROFESSIONAL SEAL

PRELIMINARY DATES

APR. 2, 2021

NOT FOR CONSTRUCTION

JOB NUMBER

2113100

SHEET NUMBER

C2.0