

UTILITY NOTES:

THE LOCATION OF EXISTING UTILITIES, BOTH UNDERGROUND AND OVERHEAD, ARE APPROXIMATE ONLY AND HAVE NOT BEEN INDEPENDENTLY VERIFIED BY THE OWNER OR ITS REPRESENTATIVES. THE CONTRACTOR SHALL BE RESPONSIBLE FOR DETERMINING THE EXACT LOCATION OF ALL EXISTING UTILITIES, WHETHER SHOWN ON THESE PLANS OR NOT, BEFORE COMMENCING WORK, AND SHALL BE FULLY RESPONSIBLE FOR ANY AND ALL DAMAGES WHICH MIGHT BE CAUSED BY THE CONTRACTOR'S FAILURE TO EXACTLY LOCATE AND PRESERVE ANY AND ALL UTILITIES. CALL DIGGERS HOTLINE (800) 242-8511.

THERE MAY BE MORE UNDERGROUND UTILITY INSTALLATIONS WITHIN THE PROJECT AREA THAT ARE NOT SHOWN.

ALL STORM SEWER CONSTRUCTION SHALL COMPLY WITH THE LATEST EDITION OF "STANDARD SPECIFICATIONS FOR SEWER & WATER IN THE STATE OF WISCONSIN", ALONG WITH THE CITY OF LA CROSSE STANDARD SPECIFICATIONS, AS APPROPRIATE.

SUITABLE ON-SITE GRANULAR MATERIAL SHALL BE USED FOR TRENCH BACKFILL TO PROPOSED ELEVATIONS. BACKFILL SHALL BE COMPACTED AS SPECIFIED.

ALL EXISTING INVERTS & LOCATIONS SHALL BE VERIFIED PRIOR TO CONSTRUCTION. ALL DISCREPANCIES FROM INFORMATION SHOWN ON THE PLANS SHALL BE REPORTED TO THE ENGINEER IMMEDIATELY.

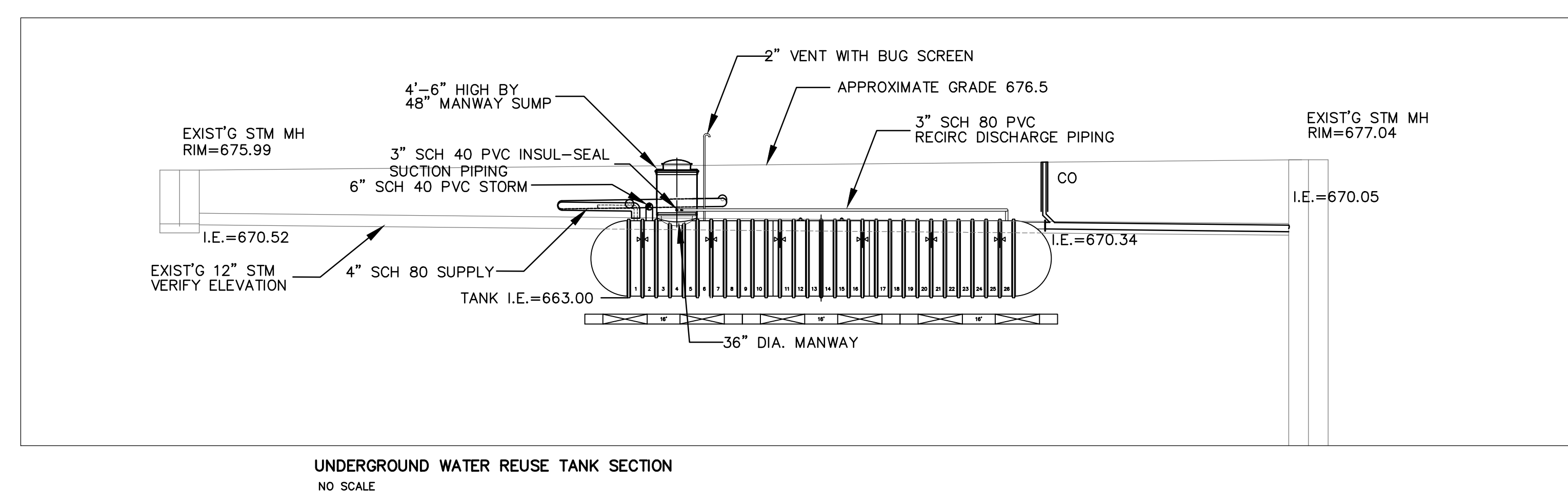
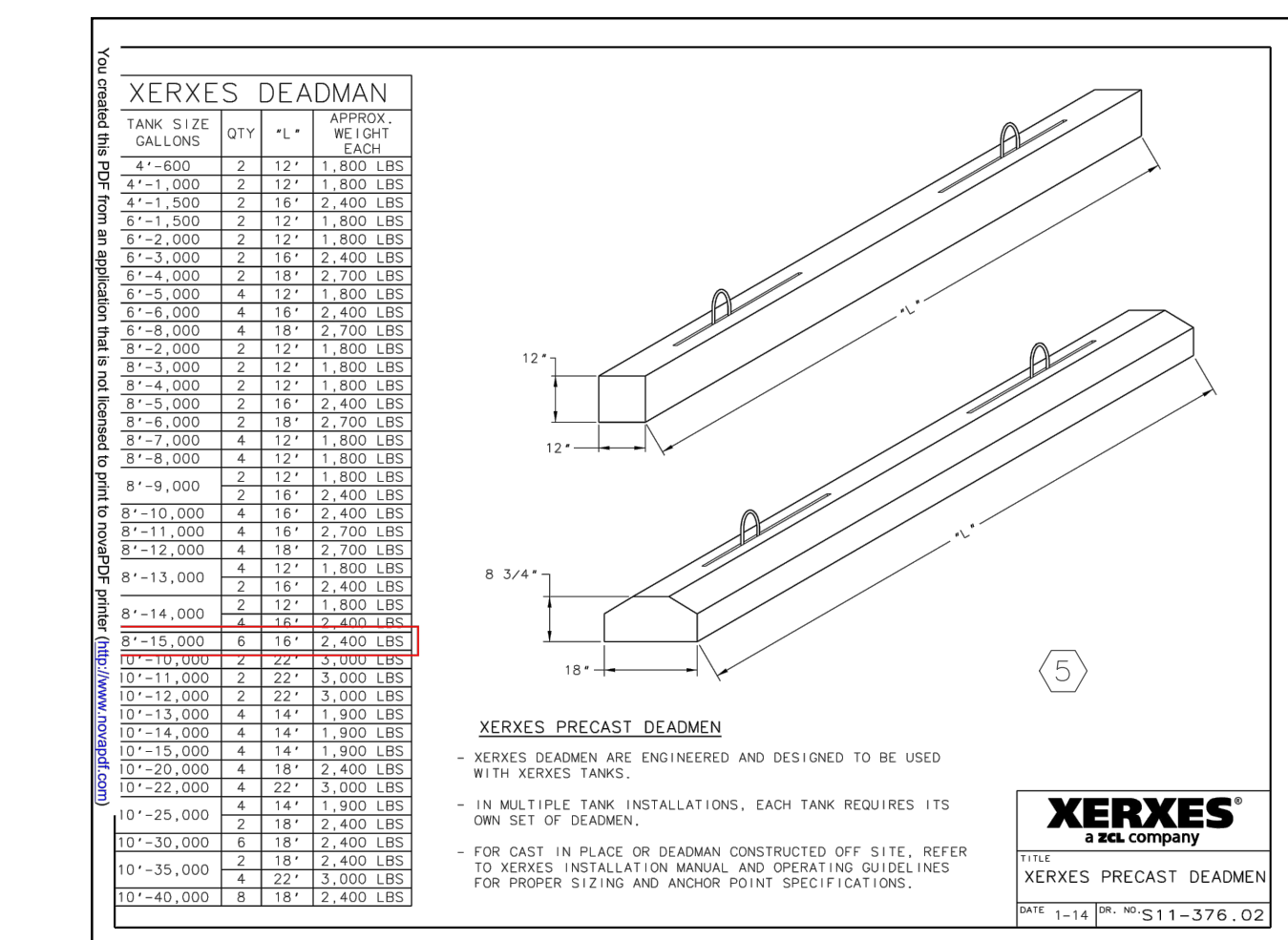
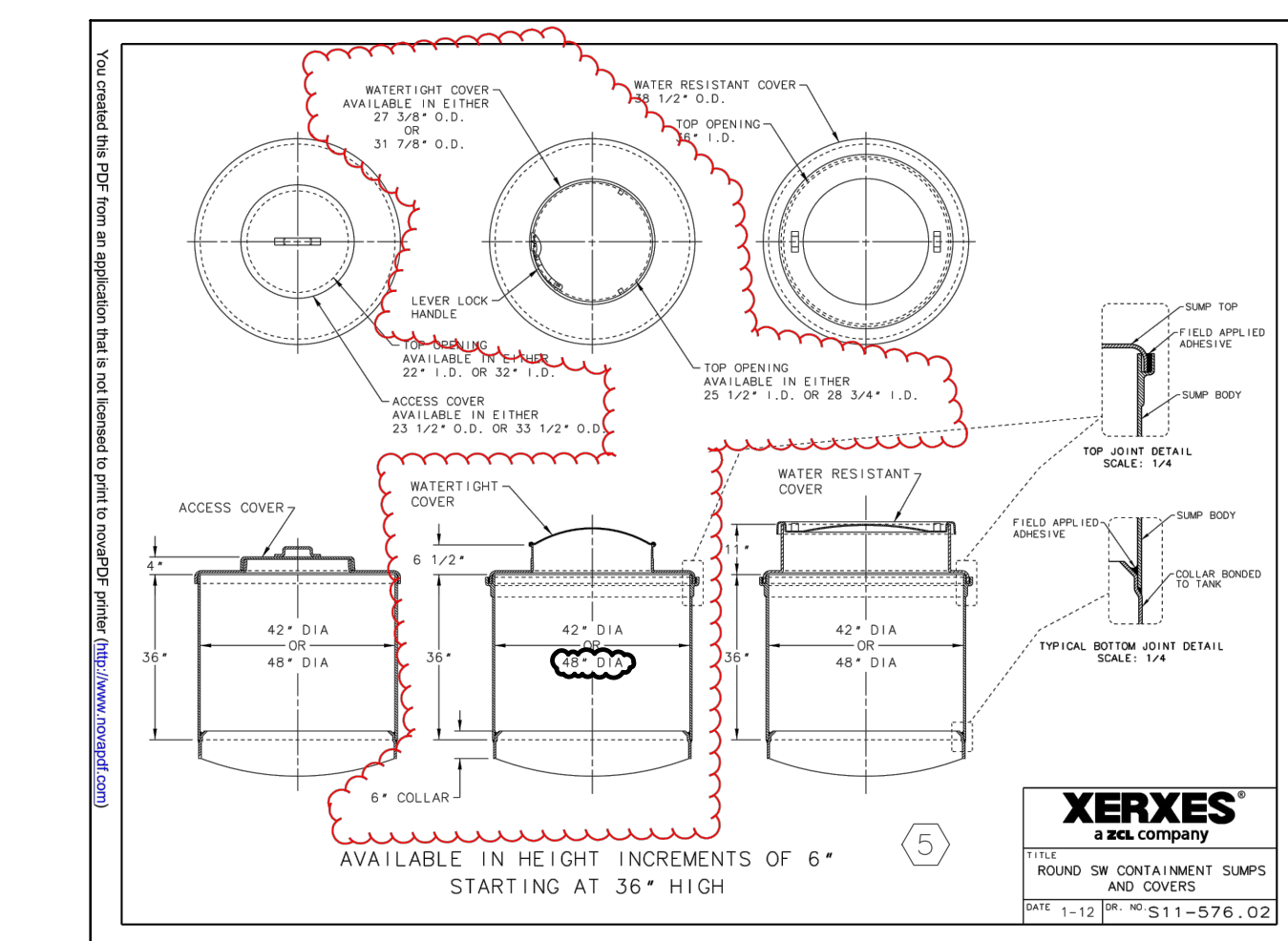
CONTRACTOR SHALL IDENTIFY & MARK THE EXACT LOCATIONS OF ALL UNDERGROUND CONNECTION TO WATER AND SEWER MAINS, BENDS CURB BOXES, CLEAN OUTS, ETC., ON THE AS-BUILT PLANS. COPIES OF THESE DOCUMENTS SHALL BE DELIVERED TO THE ENGINEER FOR RECORD.

LOCATION REQUIREMENT: NON METALLIC SEWER/MAINS AND SERVICES MUST BE PROVIDED WITH TRACE WIRE OR OTHER METHODS IN ORDER TO BE LOCATED.

SHOP DRAWINGS FOR UTILITIES ARE REQUIRED.

ALL MANHOLES SHALL BE BUILT WITH ECCENTRIC CONES.

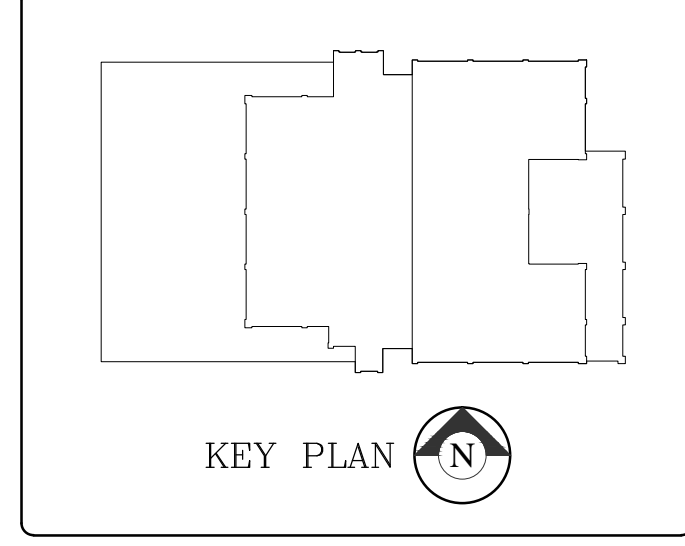
- ① 90° PIPE BEND
- ② CORE NEW HOLE IN MANHOLE
- ③ SEE DETAIL (A) FOR TYPICAL PIPE INSULATED
- ④ 45° PIPE BEND
- ⑤ CUT SHEETS FOR INFORMATIONAL PURPOSES ONLY



ARCHITECTURE
ENGINEERING
INTERIOR DESIGN

HSR ASSOCIATES INC.
100 MILWAUKEE STREET
LA CROSSE, WISCONSIN
PHONE: 608.794.1830
FAX: 608.782.5844
WEB SITE: www.hsrasociates.com

PARAGON ASSOCIATES
Environmental Design & Consulting
CIVIL ENGINEERING • LANDSCAPE ARCHITECTURE • SURVEYING
632 COPELAND AVENUE, LA CROSSE, WI 54603
TEL: 608.781.3110 Fax: 608.781.3187 Paragon-Assoc.biz



WESTERN TECHNICAL COLLEGE
INTEGRATED TECHNOLOGY ADDITION AND REMODEL
INTERIOR BUILD OUT PACKAGE

325 8TH STREET NORTH
LACROSSE, WI 54601

Date	Revision Description
07/07/15	CONDENSER WATER DISCH
07/27/15	CONDENSER WATER DISCH
10/07/15	CONDENSER WATER DISCH

CONSTRUCTION DRAWINGS

DATE	7-10-2014	PARAGON PROJECT #14-038
DRAWN BY	C.G.	CHECKED BY K.W.

DRAWING TITLE
UTILITY PLAN

DRAWING NUMBER
C201
© Nexus Solutions, LLC

