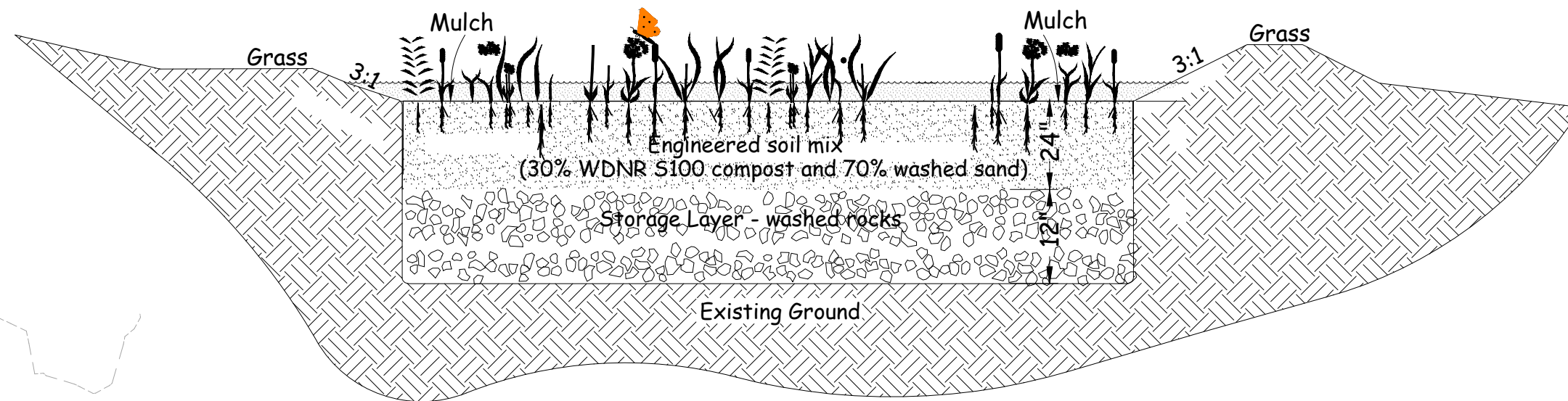


Typical bioretention basin
(no scale)



GRADING NOTES

- There may be underground utility installations within the project area that are not shown.
- It shall be the contractor's responsibility to arrange for any necessary inspections by local government that may be required.
- Contours shown are for finished surfaces, any adjustment to subgrade is the contractor's responsibility.
- All disturbed areas shall have a minimum of 4" topsoil.
- All finished grading shall provide for a smooth transition to ungraded areas.
- A temporary berm shall be constructed to divert storm runoff from entering disturbed areas from off-site.

EXCAVATION

The excavated area shall be stripped of topsoil (4"-6") and stored separately and used to establish finished grades.

TOPSOIL REPLACEMENT, SEEDING, FERTILIZING & MULCHING

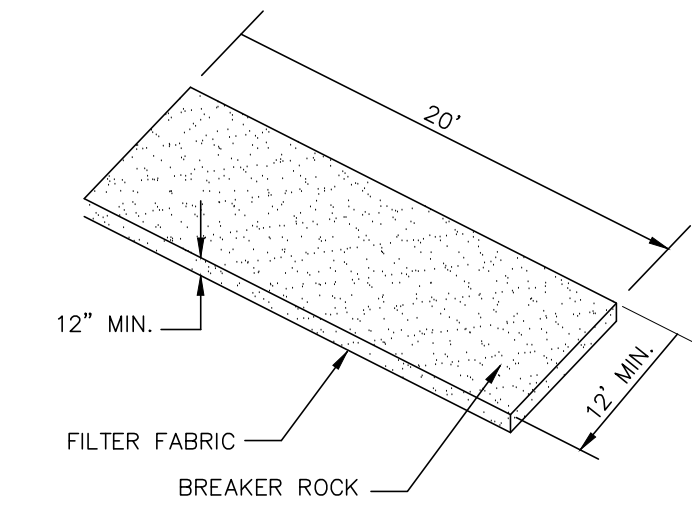
Topsoil shall be placed on the disturbed areas of the site. Immediately after shaping the topsoil, add lime to proper pH or 3 tons per acre, fertilizer at 400 lbs. per acre of 20-10-10 and work 3" deep using ordinary tillage methods. Seed with Annual Ryegrass (30 lbs./acre), Kentucky Bluegrass (30 lbs./acre), and Perennial Ryegrass (30 lbs./acre). The Grading Contractor is responsible for a guaranteed catch and shall re-seed as necessary, or as approved by owner.

- 1" of topsoil shall be placed in bottom of pond or in infiltration areas.

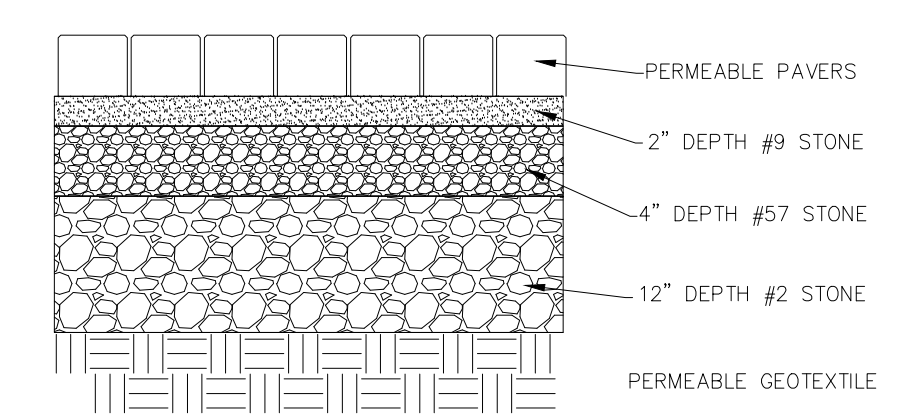
- Parking lot shall consist of 4" Bituminous Pavement and 8" compacted aggregate base over geotextile fabric. See Geotechnical Evaluation Report for more details.

- 6" Perforated pipe shall have a filter sock meeting Wisconsin Standards and Specifications for Highway and Structure Construction, Section 612.2.8(1-3), 2003 edition, or equivalent.

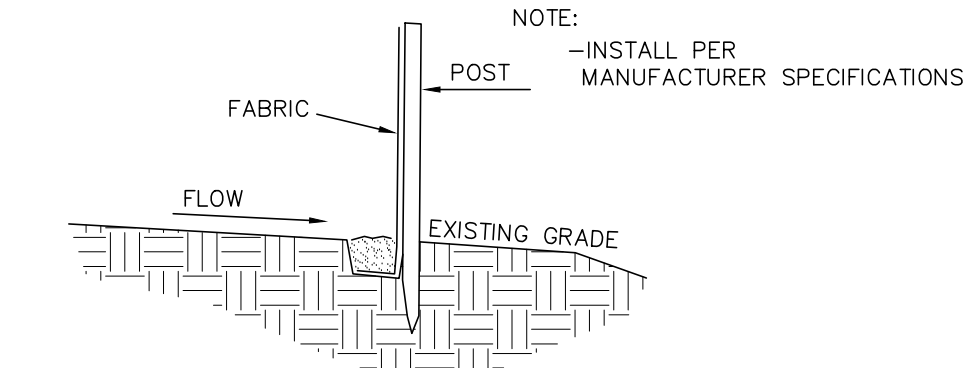
- BUILDING AND WASTE MATERIAL SHALL BE DISPOSED OF IN A LAWFUL MANNER.



VEHICLE TRACKING CONTROL
NO SCALE



PAVER BRICK DETAIL
NO SCALE



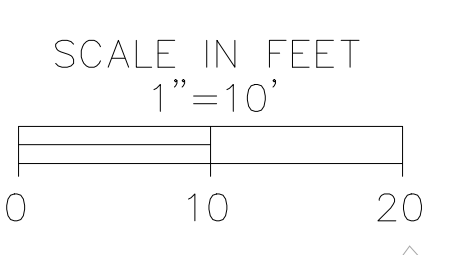
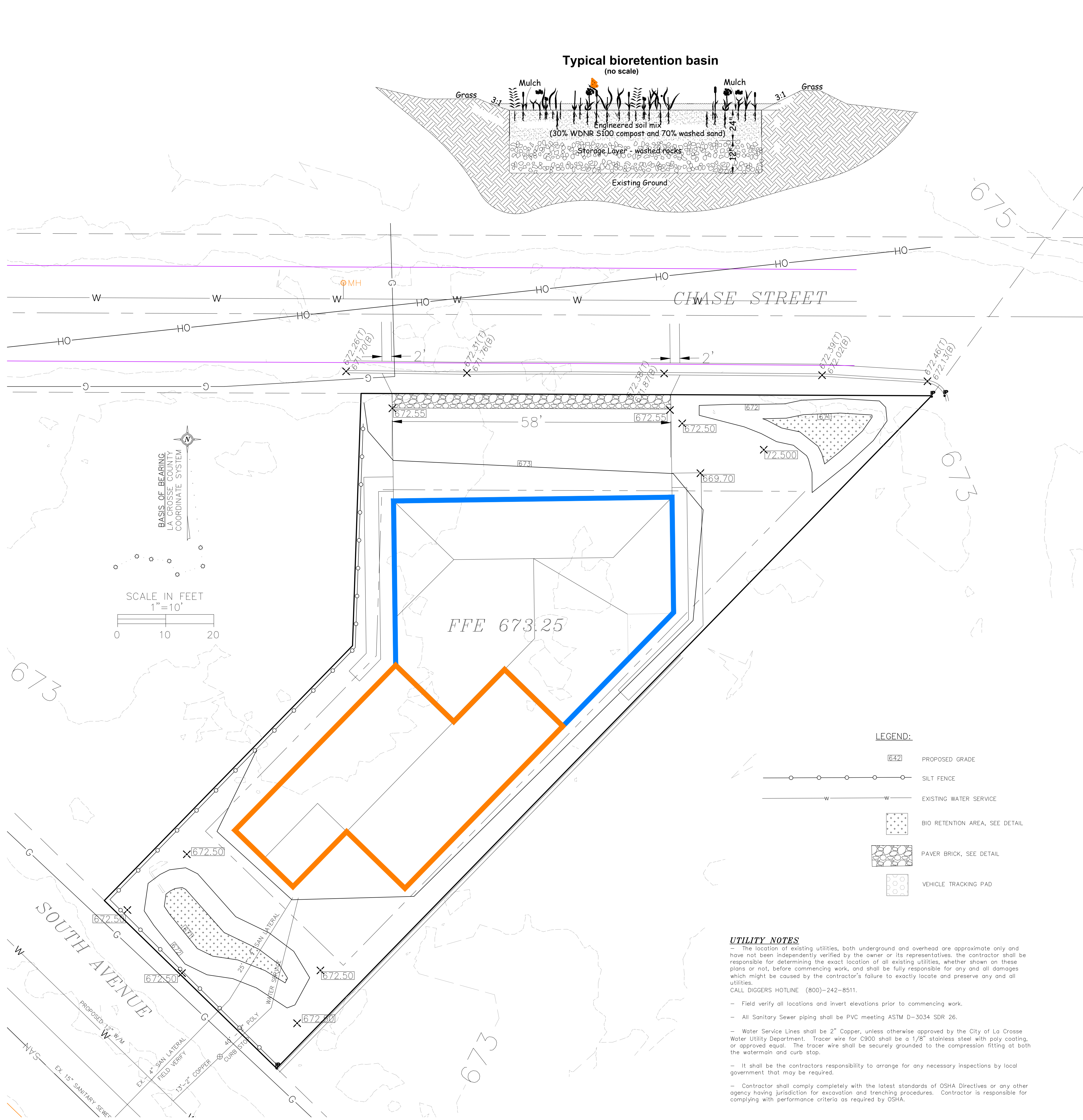
TYPICAL SILT FENCE INSTALLATION
NO SCALE

GENERAL NOTES - EROSION CONTROL

- 1.0 STANDARDS:**
- 1.1 ALL WORK SHALL MEET THE STANDARDS OUTLINED IN WISCONSIN DEPARTMENT OF NATURAL RESOURCES (WDNR) CONSTRUCTION SITE EROSION AND SEDIMENT TECHNICAL STANDARDS AND THE CITY OF ONALASKA SOIL EROSION CONTROL ORDINANCE FOR BOTH PERFORMANCES AND IMPLEMENTATION.
 - 1.2 ADDITIONAL EROSION CONTROL FACILITIES MAY BE REQUIRED DUE TO UNFORESEEN PROBLEMS.
 - 1.3 SEDIMENT CONTROL STRUCTURES BELOW SODDED AREAS MAY BE REMOVED ONCE SOD AND FINAL LANDSCAPING IS IN PLACE. SEDIMENT CONTROL STRUCTURES BELOW SEEDED AREAS MUST REMAIN IN PLACE UNTIL THE ENTIRE AREA HAS ESTABLISHED A MATURE COVERING OF HEALTHY VEGETATION. SEDIMENT CONTROL STRUCTURES IN PAVED AREAS SHALL REMAIN IN PLACE UNTIL PAVING IS COMPLETE.
 - 1.4 SEDIMENT DEPOSITED IN ROAD DITCHES ADJACENT TO THIS SITE AS A RESULT OF THIS WORK SHALL BE REMOVED AS NECESSARY TO MAINTAIN EXISTING GRADES AND ELEVATIONS. VEGETATION SHALL BE ESTABLISHED WHEN SEDIMENT REMOVAL DESTROYS THE EXISTING VEGETATION. THE ESTABLISHMENT OF VEGETATION SHALL BE IN THE SAME MANNER AS SPECIFIED FOR SEEDING ELSEWHERE ON THIS PLAN.
 - 1.5 SILT FENCE SHALL BE PLACED DOWN SLOPE OF ALL SOIL STOCK PILES DURING CONSTRUCTION IF LEFT MORE THAN SEVEN DAYS. STOCK PILES SHALL BE SEEDED AND MULCHED IF LEFT FOR MORE THAN 14 DAYS. SILT FENCE SHALL BE INSTALLED TO CONFORM WITH WDNR TECHNICAL STANDARD 1056.
 - 1.6 STORM DRAIN INLET PROTECTION SHALL BE PROVIDED AROUND INLETS. STORM DRAIN INLET PROTECTION SHALL BE INSTALLED AND CONFORM WITH WDNR TECHNICAL STANDARD 1060. TYPE "A" PROTECTION SHALL BE PROVIDED UNTIL CRUSHED AGGREGATE IS PLACED. TYPE "B" OR "C" SHALL BE UTILIZED ONCE AGGREGATE IS PLACED UNTIL FINAL PAVEMENT AND ESTABLISHMENT OF VEGETATION.
- 2.0 EXECUTION:**
- 2.1 ALL DISTURBED AREAS SHALL TOPSOIL APPLIED, AND BE SODDED, MULCHED, AND FERTILIZED WITHIN 7 DAYS OF FINAL DISTURBANCE.
 - 2.2 SEED SHALL BE PLANTED IN A MANNER THAT ALLOWS THE SEED TO BE WORKED INTO THE SOIL AND COME IN FIRM CONTACT WITH THE SOIL. SEEDING AND MULCHING SHALL BE ACCOMPLISHED USING THE FOLLOWING MATERIALS AND METHODS:
 - 2.21 4" OF TOPSOIL SHALL BE PLACED ON ALL AREAS WITHIN THE PROJECT LIMITS EXCEPT WHERE ANOTHER SURFACE TREATMENT IS SPECIFIED.
 - 2.22 EROSION MAT SHALL BE USED IN PLACE OF MULCH WHERE SPECIFIED. EROSION MAT SHALL BE INSTALLED TO CONFORM WITH WDNR TECHNICAL STANDARD 1052.
 - 2.23 SEED MIX SHALL BE "LC" "GRASSY" AND APPLIED AT A RATE OF 120 LBS./ACRE.
 - 2.24 MULCHING WITH STRAW SHALL CONSIST OF EVENLY SPREADING (3) 40 LB. BALES OF CLEAN WHEAT OR OAT STRAW PER 1000 S.F. OF DISTURBED AREA COVERED.
 - 2.3 A TEMPORARY BERM OR CHANNEL SHALL BE CONSTRUCTED ACROSS THE SLOPE TO COLLECT AND DIVERT RUNOFF FROM ENTERING OR EXITING DISTURBED AREAS. CONSTRUCTION SITE DIVERSION SHALL CONFORM WITH WDNR TECHNICAL STANDARD 1056.
 - 2.4 A STONE TRACKING PAD SHALL BE PROVIDED AT EACH CONSTRUCTION ACCESS POINT. STONE TRACKING PAD SHALL CONFORM WITH WDNR TECHNICAL STANDARD 1057.
- 3.0 MAINTENANCE:**
- 3.1 MAINTENANCE OF ALL INSTALLED EROSION AND SEDIMENT CONTROL DEVICES SHALL BE THE RESPONSIBILITY OF THE OWNER. HOWEVER, THE INSTALLER SHALL PERFORM REQUIRED MAINTENANCE AT THE DIRECTION OF THE OWNER.
 - 3.2 INSPECTING ALL EROSION AND SEDIMENT CONTROL DEVICES WEEKLY AND WITHIN 24 HOURS OF A RAINFALL EVENT OF 0.5 INCHES OR GREATER.
 - 3.3 FINISHED AREAS THAT HAVE BEEN DAMAGED OR ERODED SHALL BE RESTORED WITHIN SEVEN DAYS OF THE DAMAGE.
 - 3.4 UNFINISHED AREAS THAT HAVE BEEN DAMAGED OR ERODED SHALL BE RESTORED WITHIN SEVEN DAYS OF THE DAMAGE.
 - 3.5 STONE TRACKING CONTROL APRON SHALL BE REMOVED AND REPLACED WHEN VOIDS BECOME FILLED WITH SEDIMENT OR IF SURFACE OPENINGS BECOME PLUGGED SO THAT THE APRON DOES NOT FUNCTION.
 - 3.6 SILT FENCES SHALL BE MAINTAINED IN A FUNCTIONING MANNER. FENCES SHALL NOT BE ALLOWED TO SAG, FALL DOWN, OR BECOME FILLED WITH SILT ON THE BACK SIDE. IF SILT BUILDS UP BEHIND A SILT FENCE IT SHALL BE REMOVED IMMEDIATELY. UNDER NO CIRCUMSTANCE SHALL SILT DEPOSITS BE ALLOWED TO REACH MORE THAN HALF THE HEIGHT OF THE FENCE. SILT FENCE SHALL BE INSTALLED TO CONFORM WITH WDNR TECHNICAL STANDARD 1056.
- 4.0 REMOVING CONTROL MEASURES:**
- 4.1 SEDIMENT CONTROL STRUCTURES BELOW SODDED AREAS MAY BE REMOVED ONCE SOD AND FINAL LANDSCAPING IS IN PLACE. SEDIMENT CONTROL STRUCTURES BELOW SEEDED AREAS MUST REMAIN IN PLACE UNTIL THE ENTIRE AREA HAS ESTABLISHED A MATURE COVERING OF HEALTHY VEGETATION. CONTRACTOR SHALL REMOVE CONTROL MEASURES WHEN THE SITE HAS ESTABLISHED A VEGETATION COVER OR WHEN DIRECTED TO DO SO BY THE OWNER.

UTILITY NOTES

- The location of existing utilities, both underground and overhead are approximate only and have not been independently verified by the owner or its representatives, the contractor shall be responsible for determining the exact location of all existing utilities, whether shown on these plans or not, before commencing work, and shall be fully responsible for any and all damages which might be caused by the contractor's failure to exactly locate and preserve any and all utilities.
- CALL DIGGERS HOTLINE (800)-242-8511.
- Field verify all locations and invert elevations prior to commencing work.
- All Sanitary Sewer piping shall be PVC meeting ASTM D-3034 SDR 26.
- Water Service Lines shall be 2" Copper, unless otherwise approved by the City of La Crosse Water Utility Department. Tracer wire for C900 shall be a 1/8" stainless steel with poly coating, or approved equal. The tracer wire shall be securely grounded to the compression fitting at both the watermain and curb stop.
- It shall be the contractor's responsibility to arrange for any necessary inspections by local government that may be required.
- Contractor shall comply completely with the latest standards of OSHA Directives or any other agency having jurisdiction for excavation and trenching procedures. Contractor is responsible for complying with performance criteria as required by OSHA.



LEGEND:

- PROPOSED GRADE
- SILT FENCE
- EXISTING WATER SERVICE
- BIO RETENTION AREA, SEE DETAIL
- PAVER BRICK, SEE DETAIL
- VEHICLE TRACKING PAD