

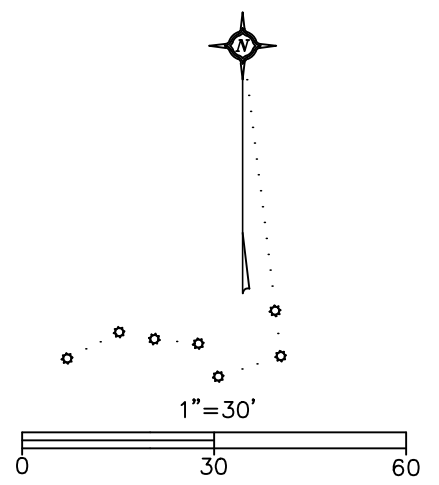
PROPOSED BUILDING
6,460 sq. ft.
F.F.E. = 717.40

LUOYANG AVENUE

NORTH KINNEY COULEE ROAD

- LEGEND**
- FOUND MONUMENT
 - LIGHT POLE
 - ⊕ FIRE HYDRANT
 - ══ EXISTING CURB AND GUTTER
 - ⊙ EXISTING WATER VALVE MANHOLE
 - ⊚ EXISTING SANITARY MANHOLE
 - Ⓜ EXISTING STORM MANHOLE

① STANDARD CITY OF LA CROSSE COMMERCIAL ENTRANCE



LA CROSSE
ENGINEERING & SURVEYING CO., INC.
1212 S. 3rd STREET, LA CROSSE, WI 54601
OFFICE: (608) 785-0404
WWW.LACROSSEENGINEERING.COM

DEBOER PEST CONTROL
SITE PLAN

DATE: 2/15/16
FILE: DEBOER
DRAWN BY: FJH

C-1