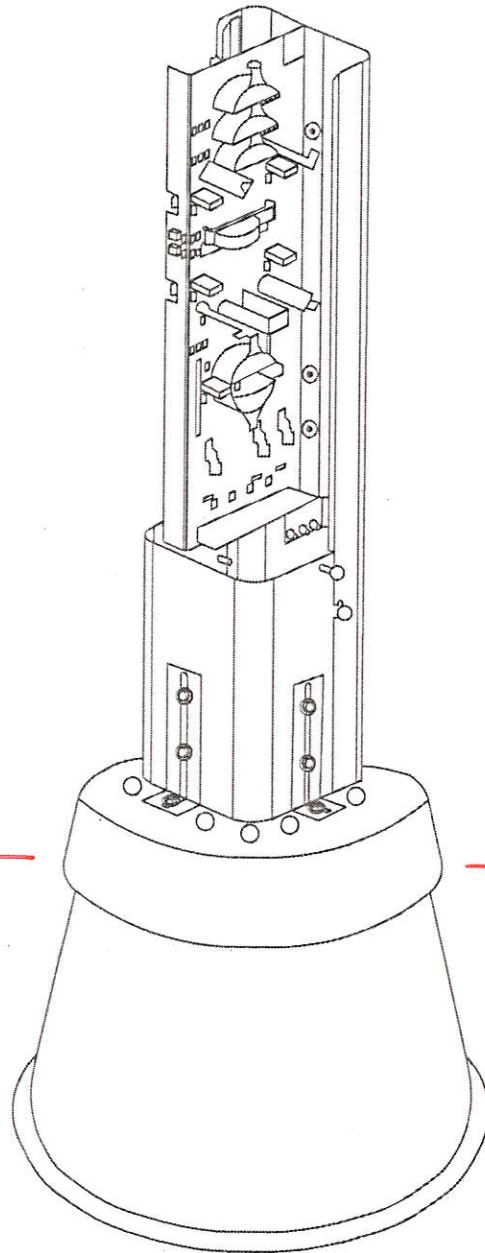


*Ground surface*



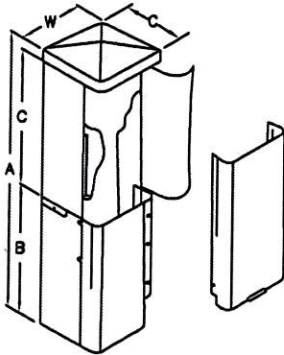
ADC METALLIC PED WITH MARCONI SYSTEM  
 INCLUDES FIBER MANAGEMENT SYSTEM  
 (12 FIBER TRAY) TUNNEL MILL VAULT WITH  
 MOUNTING BRACKETS OR EQUIVALANT  
 BONDING BAR AND GROUNDING BD05  
 MAXIMUM 48 FIBERS, BD06 MAXIMUM  
 96 FIBERS.

BD05/BD06 TM

SCALE: NTS  
 DRAWN BY: MSC

DATE: 6/02  
 DWG NAME: BD05-BD06-TM

# BDO (CAD12)



## DIMENSIONS

CATALOG NUMBER	A	B	C	D	W
*CAD12	50-5/16 IN	23-5/8 IN	25-15/16 IN	12-7/8 IN	12-7/8 IN
CAD1270	70 IN	44-1/16 IN	25-15/16 IN	12-7/8 IN	12-7/8 IN

## SPECIFICATIONS

CATALOG NUMBER	SPLICED PAIRS USING ANY CONNECTOR	CROSS-CONNECT CAPACITY	
		FEEDER	DISTRIBUTION
CAD12	1500	25 PAIR	25 PAIR

## RGT & RPT STYLE TERMINAL BLOCKS(UNPROTECTED)

CATALOG NUMBER	3-PR. 382	6-PR. 145	12-PR. RGT/RPT12,RPT12L	25-PR. RGT/RPT25
CAD12	6	6	2	2

## A-LINE STYLE TERMINAL BLOCKS

CATALOG NUMBER	-UNPROTECTED-			-PROTECTED-		
	RGT/RPT5A	RGT/RPT10A	RGT/RPT25A	RGT/RPT5A	RGT/RPT10A	RGT/RPT25A
CAD12	4	2	2	2	2	2

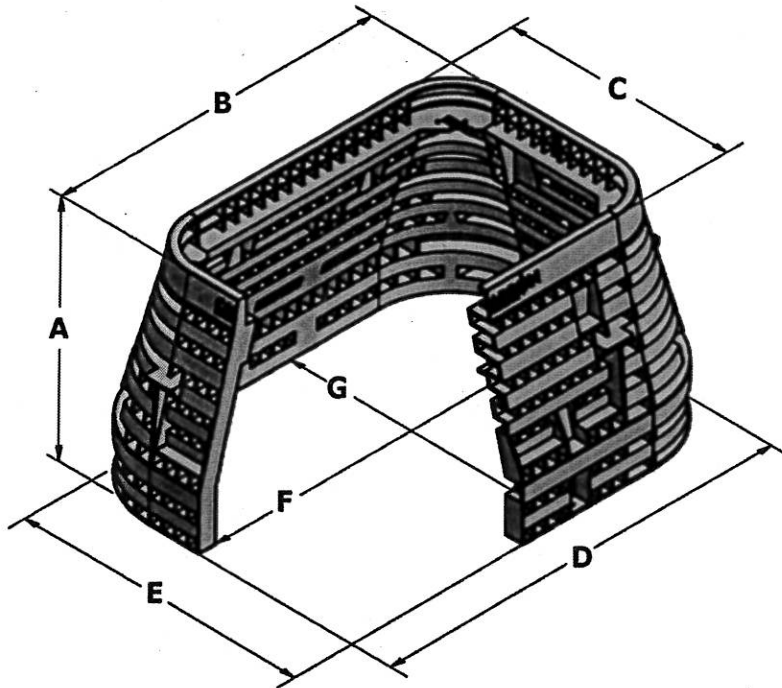
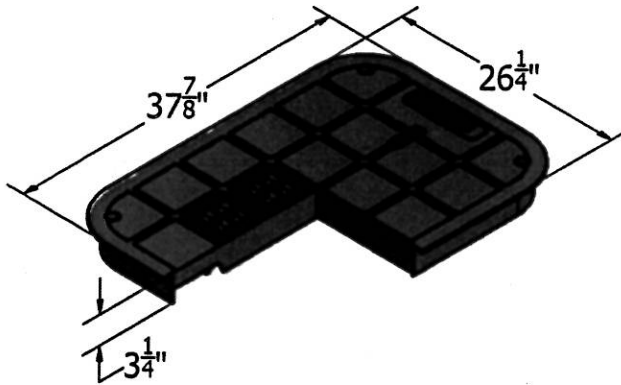
## ORDERING INFORMATION

CATALOG NUMBER	PART NUMBER	DESCRIPTION
CAD12	F604530	12-IN GREY-GREEN PEDESTAL WITH DIVIDED PLATE
CAD1270	F605730	12-IN GREY-GREEN PEDESTAL WITH DIVIDED PLATE, 70-IN. TALL
*CAD12S	F605885	12-IN GREY-GREEN PEDESTAL WITH SPLICE LADDER(NO MTG PLT)
CAD1270S	F605735	12-IN GREY-GREEN PEDESTAL WITH DIVIDED PLATE, 70-IN. TALL(NO MTG PLT)
P76501	F576501	UPPER FRONT COVER
P42082	F542082	LOWER FRONT COVER
PS35206	F535206	TOP CAP

## BDO (CAD12) DETAIL

SCALE: NTS  
DRAWN BY: MSC

DATE: 9/03  
DWG NAME: BDO-DTL



A	B	C	D	E	F	G
18"	37-3/4"	26-1/4"	47"	35-3/8"	42-7/8"	31-1/4"
24"	37-3/4"	26-1/4"	47"	35-3/8"	42-7/8"	31-1/4"

**COVER:**

Style: T Cover  
 Material: HDPE  
 Model: 24" x 36"  
 Weight: 37 lbs  
 Std. Fasteners: 3/8" Hex Bolt  
 Options: Logos and Special Markings  
 Surface: Skid Resistant & Marked\*  
 Performance: Pedestrian, ASTM C857, WUC 3.6,

**BODY:**

Material: HDPE  
 Model: 24" x 36"  
 Weight: 18" Depth: 47 lbs  
 24" Depth: 62 lbs  
 Wall Type: Flared  
 Mouseholes: 0  
 Performance: Pedestrian, ASTM C857, WUC 3.6,



Light Duty:  
Pedestrian Only

For use in non-vehicular traffic situations only.

We do not recommend installation in concrete or asphalt.  
Coefficient of Friction <0.5

Actual load rating is determined by the box and cover combination.  
Weights and dimensions may vary slightly

Rev 10/2016 ©2016 Oldcastle, Inc.

\*Cover comes standard with permanent markings for manufacturer, load rating, model size and manufacturing location.

Contact your Oldcastle Enclosure Solutions Distribution Center for specific information and additional options.