

GRADING NOTES

- There may be underground utility installations within the project area that are not shown.
- It shall be the contractor's responsibility to arrange for any necessary inspections by local government that may be required.
- Contours shown are for finished surfaces, any adjustment to subgrade is the contractor's responsibility.
- All disturbed areas shall have a minimum of 4" topsoil.
- All finished grading shall provide for a smooth transition to ungraded areas.
- A temporary berm shall be constructed to divert storm runoff from entering disturbed areas from off-site.

EXCAVATION

The excavated area shall be stripped of topsoil (4"-6") and stored separately and used to establish finished grades.

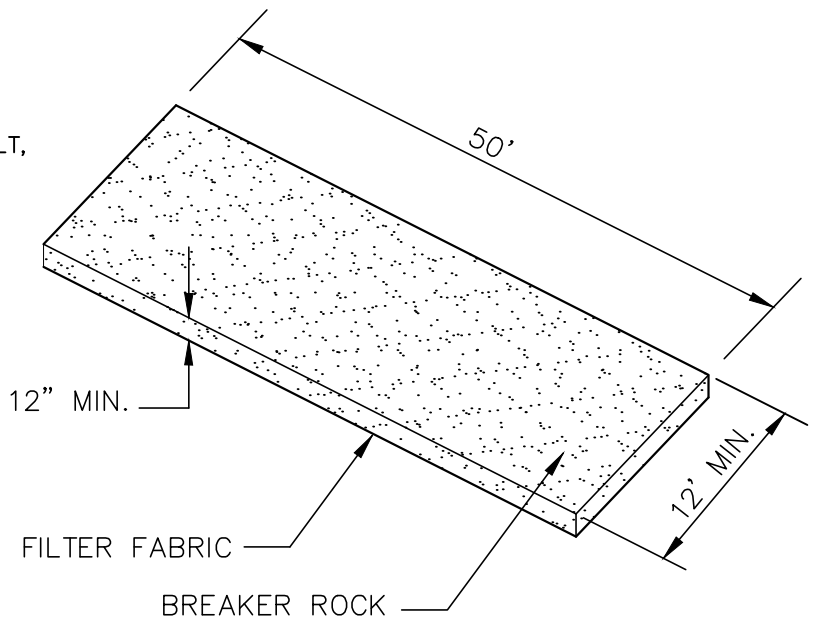
TOPSOIL REPLACEMENT, SEEDING, FERTILIZING, & MULCHING

Topsoil shall be placed on the disturbed areas of the site. Immediately after shaping the topsoil, add lime to proper pH or 3 tons per acre, fertilizer at 400 lbs. per acre of 20-10-10 and work 3" deep using ordinary tillage methods. Seed with Annual Ryegrass (30 lbs./acre), Kentucky Bluegrass (30 lbs./acre), and Perennial Ryegrass (30 lbs./acre). The Grading Contractor is responsible for a guaranteed catch and shall re-seed as necessary, or as approved by owner.

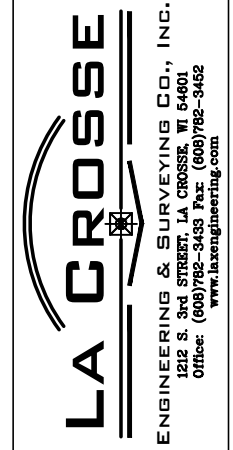
- 1" of topsoil shall be placed in bottom of pond or in infiltration areas.
- Parking lot shall consist of 4" Bituminous Pavement and 8" compacted aggregate base over geotextile fabric. See Geotechnical Evaluation Report for more details.

LEGEND:

- SAW CUT, REMOVE AND REPLACE EXISTING ASPHALT, CURB AND GUTTER AS NECESSARY
- PROPOSED GRADE
- SILT FENCE
- EXISTING BURIED TELEPHONE
- EXISTING BURIED ELECTRIC
- CONCRETE SLAB
- VEHICLE TRACKING PAD
- EXISTING WATER VALVE MANHOLE
- EXISTING SANITARY MANHOLE
- EXISTING STORM MANHOLE



VEHICLE TRACKING CONTROL
NO SCALE



DEBOER PEST CONTROL
GRADING PLAN

DATE: 2/16/16
FILE: DEBOER_GR
DRAWN BY: F.J.H.