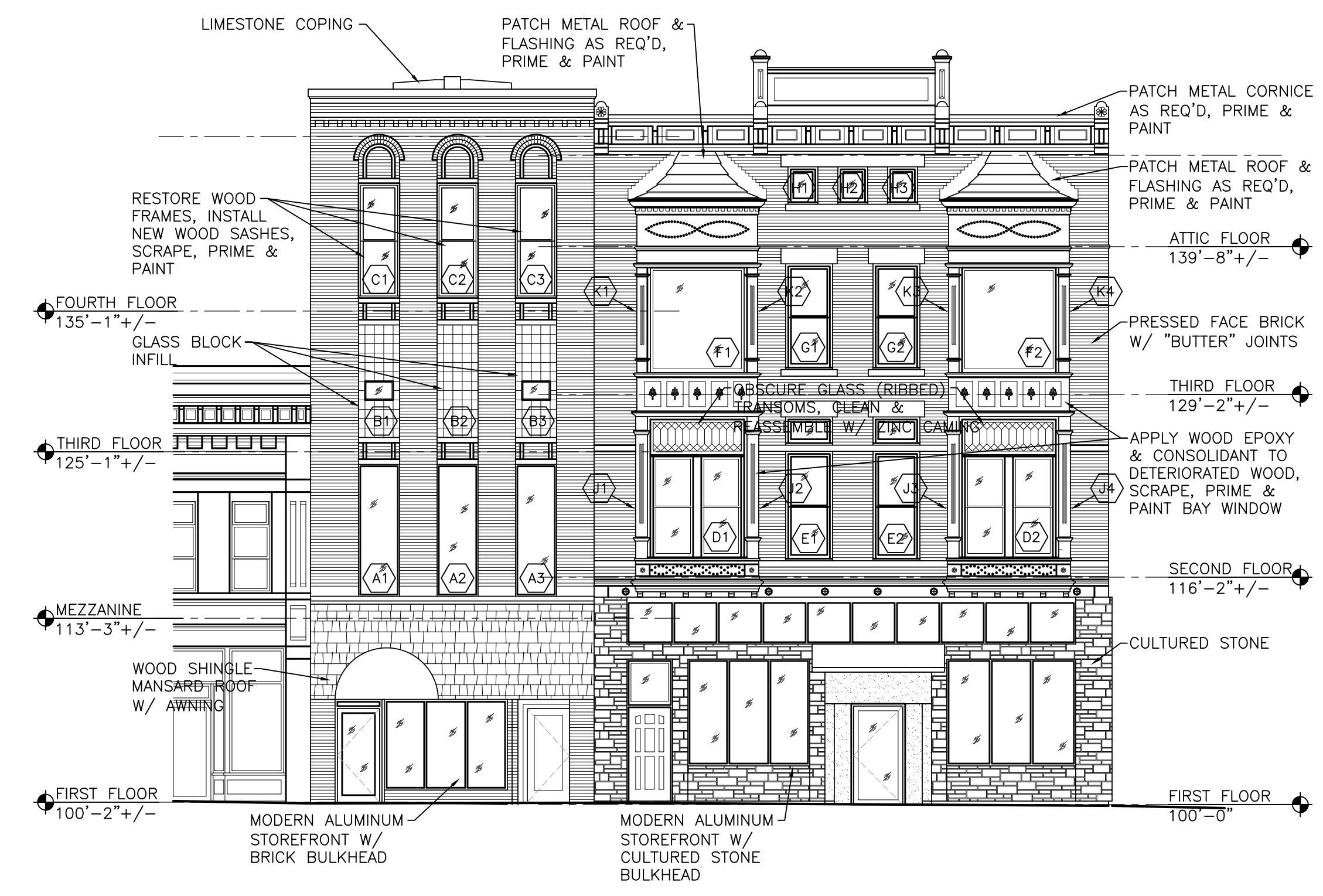
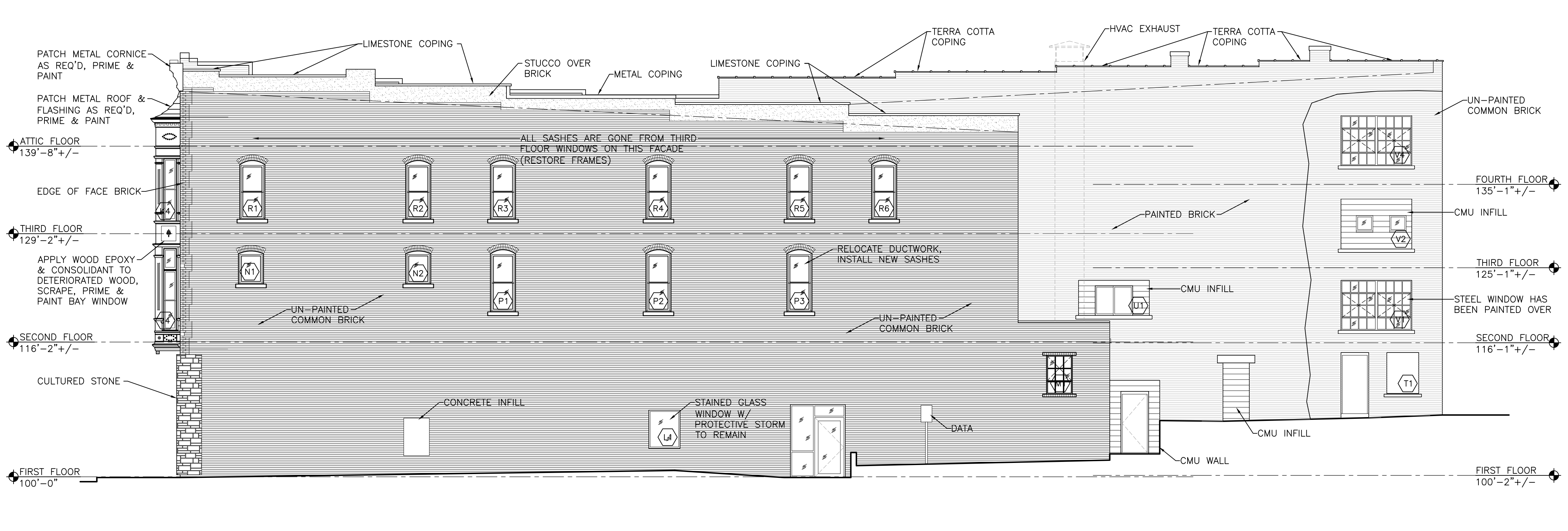




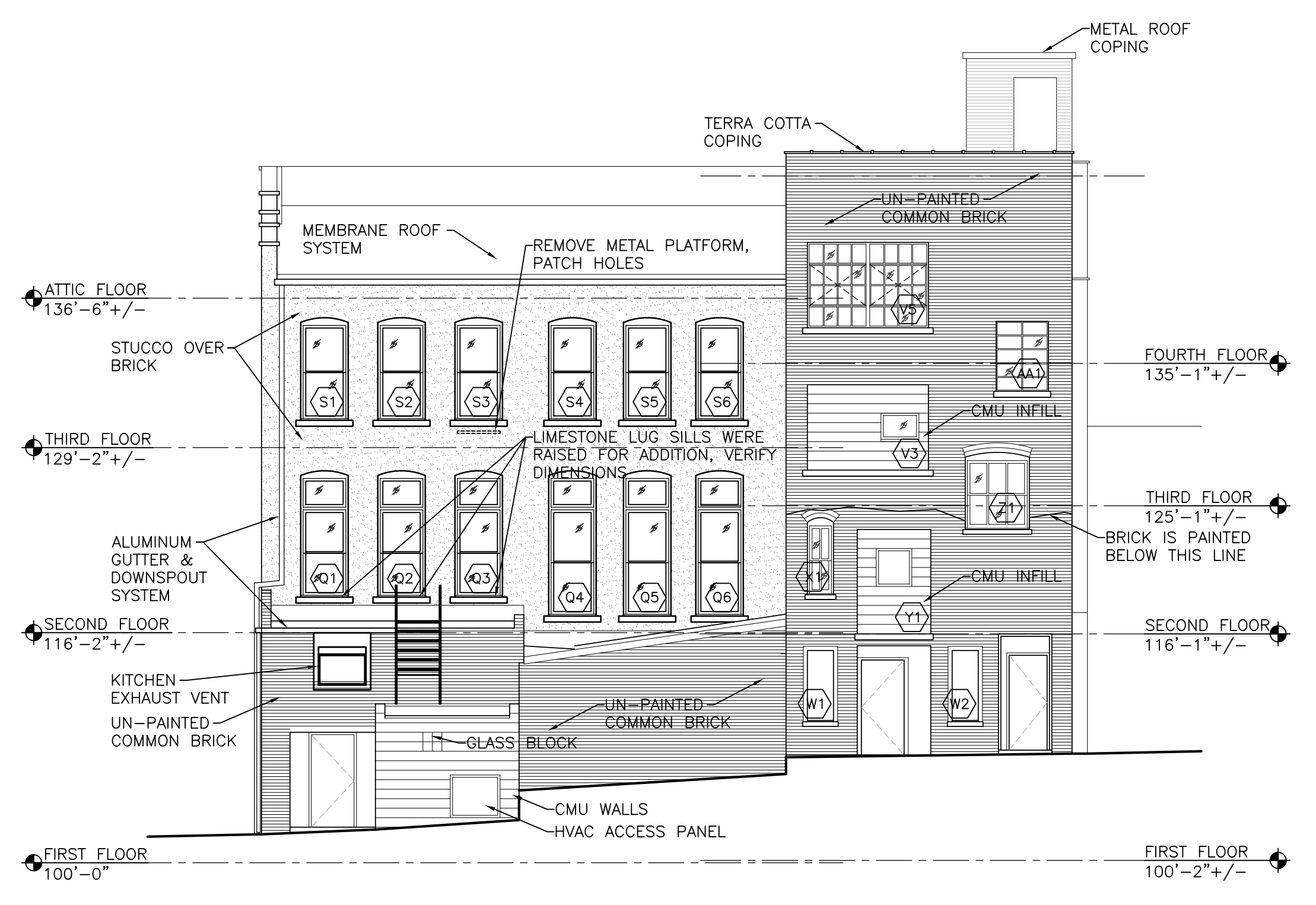
HSR ASSOCIATES INC.
100 MILWAUKEE STREET
LA CROSSE, WISCONSIN
PHONE: 608.784.1830
FAX: 608.782.5844
WEB SITE: www.hsrasociates.com
Consultant:



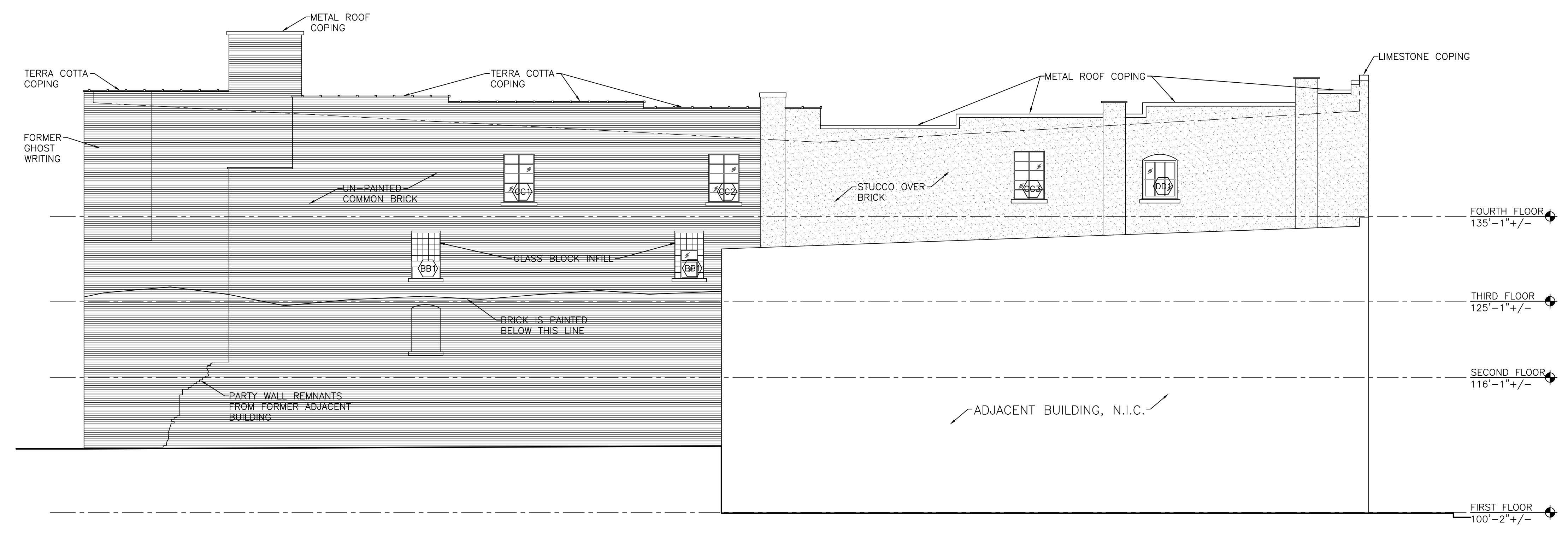
1 WEST (FRONT) ELEVATION
1/8" = 1'-0"



3 SOUTH ELEVATION
1/8" = 1'-0"



2 EAST ELEVATION
1/8" = 1'-0"



4 NORTH ELEVATION
1/8" = 1'-0"

A Project For Mark Nolop (Big Al's)
C. J. MICHEL & BUCKLE BUILDINGS
Project Location: 111-115 3rd Street South
La Crosse, Wisconsin 54601
Sheet Title: EXTERIOR ELEVATIONS & WINDOW SCHEDULE

Project Title:
HSR Project Number:
17061

Project Date:
November 2017

Drawn By:
M. ZETTLER

Key Plan:

REVIEW
NOT FOR CONSTRUCTION

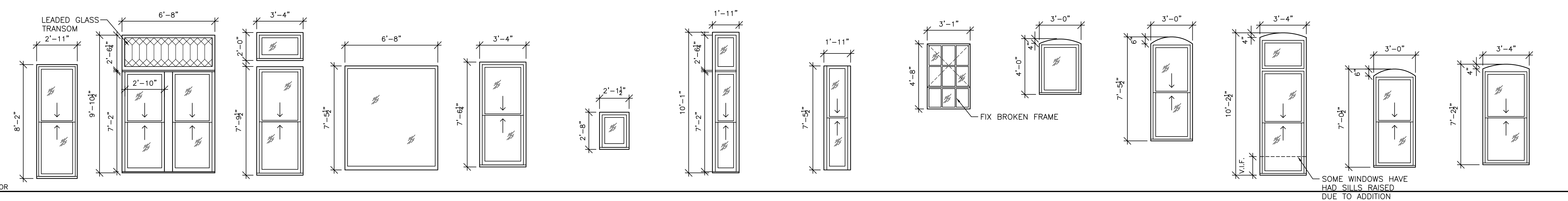
Revisions:

No.	Description	Date

Graphic Scale:
VARIES

Last Update:
10/23/17

A200



- NOTE: WHERE WINDOWS ARE SCHEDULED TO BE REGLAZED, USE HISTORIC GLASS WHERE EXTANT, REPLACE BROKEN/MISSING PIECES IN-KIND
- C** EXISTING WOOD DOUBLE-HUNG 1 OVER 1 WINDOW, (ONLY FRAME EXTANT) RECREATE MISSING SASHES, REGLAZE, SCRAPE, PRIME & PAINT, INSTALL NEW SASH CHAIN
 - D** EXISTING PAIR OF WOOD DOUBLE HUNG 1 OVER 1 WINDOWS W/ LEADED GLASS TRANSOM ABOVE, REPAIR DETERIORATED WOOD W/ CONSOLIDANT & EPOXY, REGLAZE, SCRAPE, PRIME & PAINT, INSTALL NEW SASH CHAINS, TAKE APART TRANSOM, CLEAN OBSCURED GLASS & REASSEMBLE W/ ZINC CAMES
 - E** EXISTING WOOD DOUBLE HUNG 1 OVER 1 WINDOW W/ TRANSOM ABOVE, REPAIR DETERIORATED WOOD W/ CONSOLIDANT & EPOXY, REGLAZE, SCRAPE, PRIME & PAINT, INSTALL NEW SASH CHAINS
 - F** EXISTING WOOD PICTURE WINDOW, REPAIR DETERIORATED WOOD W/ CONSOLIDANT & EPOXY, REGLAZE, SCRAPE, PRIME & PAINT
 - G** EXISTING WOOD DOUBLE HUNG 1 OVER 1 WINDOW, REPAIR DETERIORATED WOOD W/ CONSOLIDANT & EPOXY, REGLAZE, SCRAPE, PRIME & PAINT, INSTALL NEW SASH CHAINS
 - H** EXISTING WOOD PICTURE WINDOW, REPAIR DETERIORATED WOOD W/ CONSOLIDANT & EPOXY, REGLAZE, SCRAPE, PRIME & PAINT
 - I** EXISTING WOOD DOUBLE HUNG 1 OVER 1 WINDOW W/ TRANSOM ABOVE, REPAIR DETERIORATED WOOD W/ CONSOLIDANT & EPOXY, REGLAZE, SCRAPE, PRIME & PAINT, INSTALL NEW SASH CHAINS
 - J** EXISTING WOOD DOUBLE HUNG 1 OVER 1 WINDOW, REPAIR DETERIORATED WOOD W/ CONSOLIDANT & EPOXY, REGLAZE, SCRAPE, PRIME & PAINT, INSTALL NEW SASH CHAINS
 - K** EXISTING WOOD DOUBLE HUNG 1 OVER 1 WINDOW, REPAIR DETERIORATED WOOD W/ CONSOLIDANT & EPOXY, REGLAZE, SCRAPE, PRIME & PAINT, INSTALL NEW SASH CHAINS
 - L** EXISTING STEEL WINDOW W/ WIRE GLASS, REPAIR DAMAGED FRAME, ALL LITES OF GLASS ARE BROKEN, REPLACE IN-KIND, SCRAPE, PRIME & PAINT
 - M** EXISTING WOOD PICTURE WINDOW, REPAIR DETERIORATED WOOD W/ CONSOLIDANT & EPOXY, REGLAZE, SCRAPE, PRIME & PAINT
 - N** EXISTING WOOD PICTURE WINDOW, REPAIR DETERIORATED WOOD W/ CONSOLIDANT & EPOXY, REGLAZE, SCRAPE, PRIME & PAINT
 - O** EXISTING WOOD DOUBLE HUNG 1 OVER 1 WINDOW, REPAIR DETERIORATED WOOD W/ CONSOLIDANT & EPOXY, REGLAZE, SCRAPE, PRIME & PAINT, INSTALL NEW SASH CHAINS (FABRICATE NEW SASHES TO REPLACE MISSING ONES)
 - P** EXISTING WOOD DOUBLE HUNG 1 OVER 1 WINDOW W/ TRANSOM ABOVE, (ONLY FRAME AND A SOME TRANSOM SASHES EXTANT) RECREATE MISSING SASHES, REPAIR DETERIORATED WOOD W/ CONSOLIDANT & EPOXY, REGLAZE, SCRAPE, PRIME & PAINT, INSTALL NEW SASH CHAINS
 - Q** EXISTING WOOD DOUBLE HUNG 1 OVER 1 WINDOW, (ONLY FRAMES EXTANT) REPAIR DETERIORATED WOOD W/ CONSOLIDANT & EPOXY, RECREATE MISSING SASHES, REPAIR DETERIORATED WOOD W/ CONSOLIDANT & EPOXY, REGLAZE, SCRAPE, PRIME & PAINT, INSTALL NEW SASH CHAINS
 - R** EXISTING WOOD DOUBLE HUNG 1 OVER 1 WINDOW, (SOME SASHES MISSING) RECREATE MISSING SASHES, REPAIR DETERIORATED WOOD W/ CONSOLIDANT & EPOXY, REGLAZE, SCRAPE, PRIME & PAINT, INSTALL NEW SASH CHAINS
 - S** EXISTING WOOD DOUBLE HUNG 1 OVER 1 WINDOW, (SOME SASHES MISSING) RECREATE MISSING SASHES, REPAIR DETERIORATED WOOD W/ CONSOLIDANT & EPOXY, REGLAZE, SCRAPE, PRIME & PAINT, INSTALL NEW SASH CHAINS

5 WINDOW TYPES
1/4" = 1'-0"