

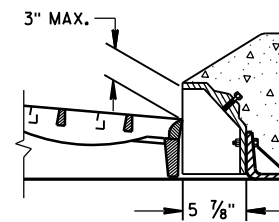
TYPE "F"

USE WITH TYPES A & D CONCRETE CURB & GUTTER, 36 INCH.

GENERAL NOTES

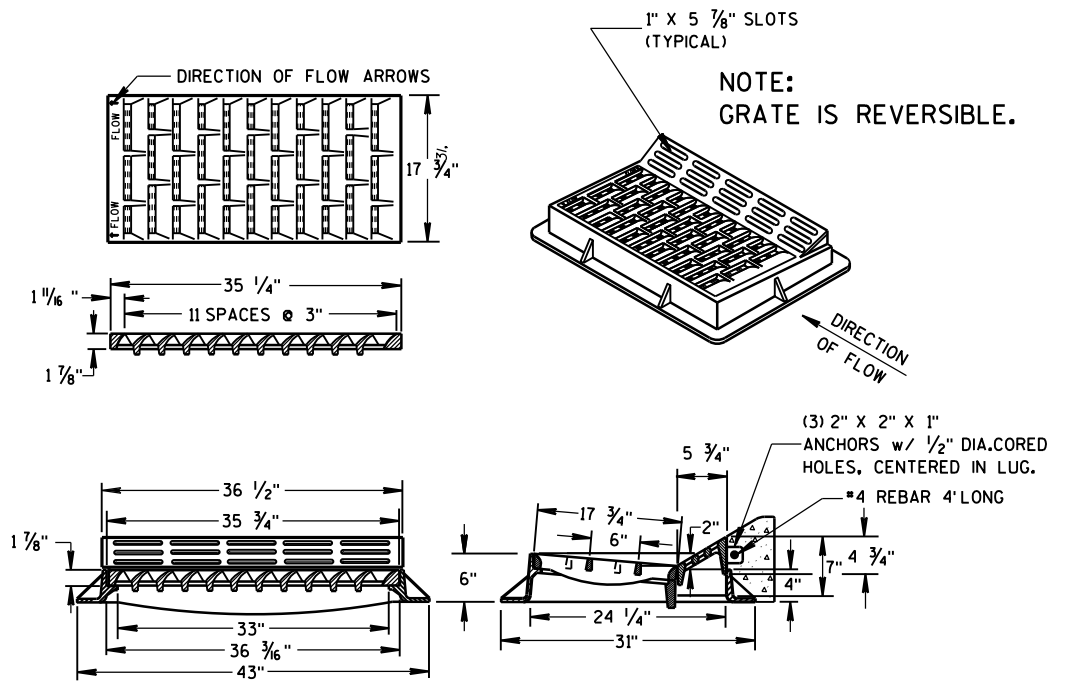
DETAILS OF CONSTRUCTION, MATERIALS AND WORKMANSHIP NOT SHOWN ON THIS DRAWING SHALL CONFORM TO THE PERTINENT REQUIREMENTS OF THE STANDARD SPECIFICATIONS AND THE APPLICABLE SPECIAL PROVISIONS.

DETAIL DRAWINGS FOR PROPOSED ALTERNATE DESIGNS FOR INLET COVERS SHALL BE SUBMITTED TO THE ENGINEER FOR APPROVAL PROVIDING THAT SUCH ALTERNATE DESIGNS MAKE PROVISION FOR EQUIVALENT CAPACITY AND STRENGTH.



ALTERNATIVE CURB BOX FOR TYPE "HM" COVER

USE WITH TYPES G & J CONCRETE CURB & GUTTER, 30 INCH NOTED AS TYPE HM-GJ ON DRAINAGE TABLE



TYPE "HM"

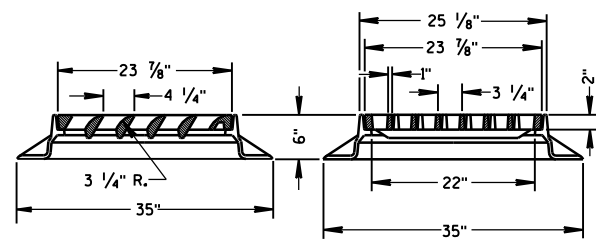
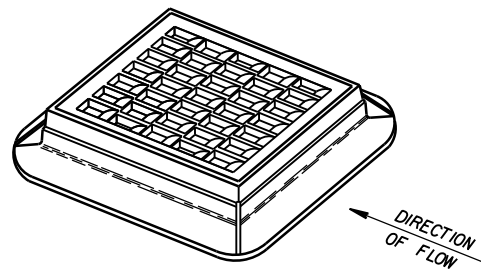
USE WITH TYPES A & D CONCRETE CURB & GUTTER, 36 INCH.

NOTE: SPECIAL GRATE FOR THE TYPE "H" COVER MAY ALSO BE USED FOR THE TYPE "HM" COVER NOTED AS TYPE HM-S ON DRAINAGE TABLE

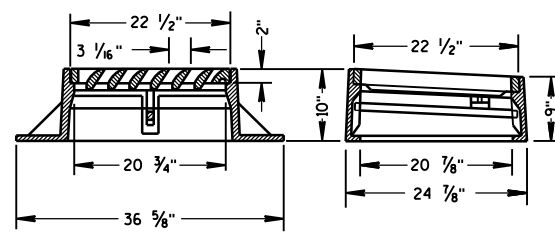
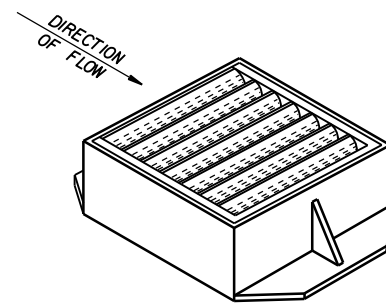
NOTE: SPECIAL GRATE FOR THE TYPE "H" COVER MAY ALSO BE USED FOR THE TYPE "HM-GJ" COVER NOTED AS TYPE HM-GJ-S ON DRAINAGE TABLE

6

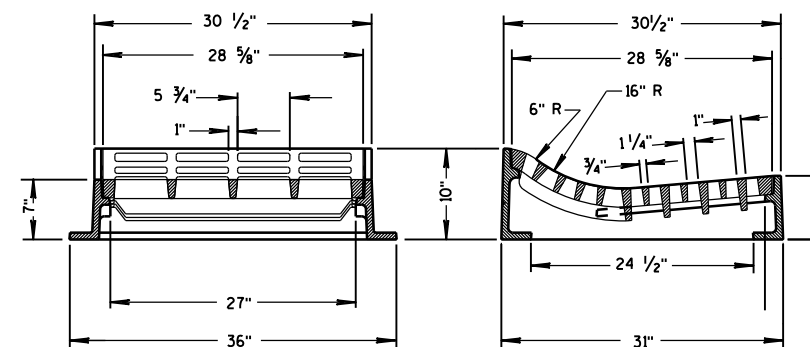
6



TYPE "S"

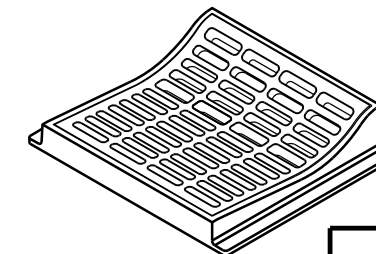


TYPE "V"



TYPE "T"

USE WITH TYPES R & T CONCRETE CURB & GUTTER, 36 INCH.



INLET COVERS  
TYPE F, HM, HM-S, S, T, V,  
HM-GJ, & HM-GJ-S

STATE OF WISCONSIN  
DEPARTMENT OF TRANSPORTATION

APPROVED  
11/27/2013 DATE /s/ Jerry H. Zogg  
ROADWAY STANDARDS DEVELOPMENT ENGINEER  
FHWA