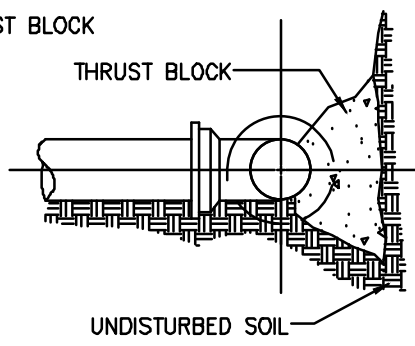
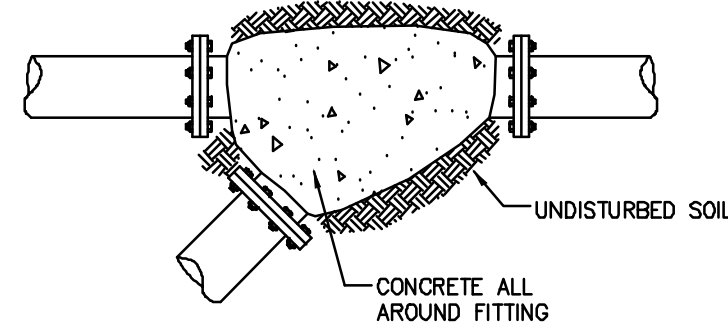
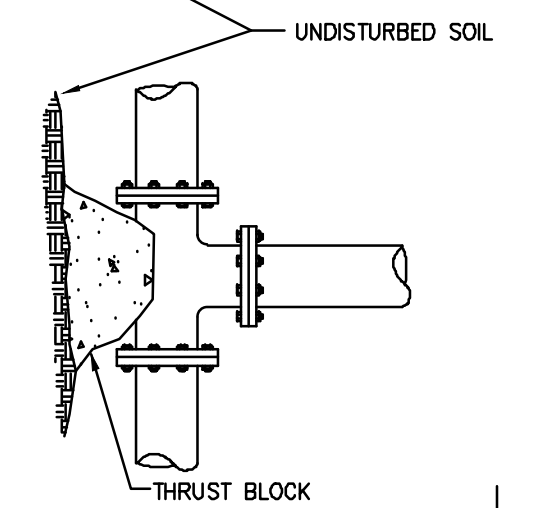


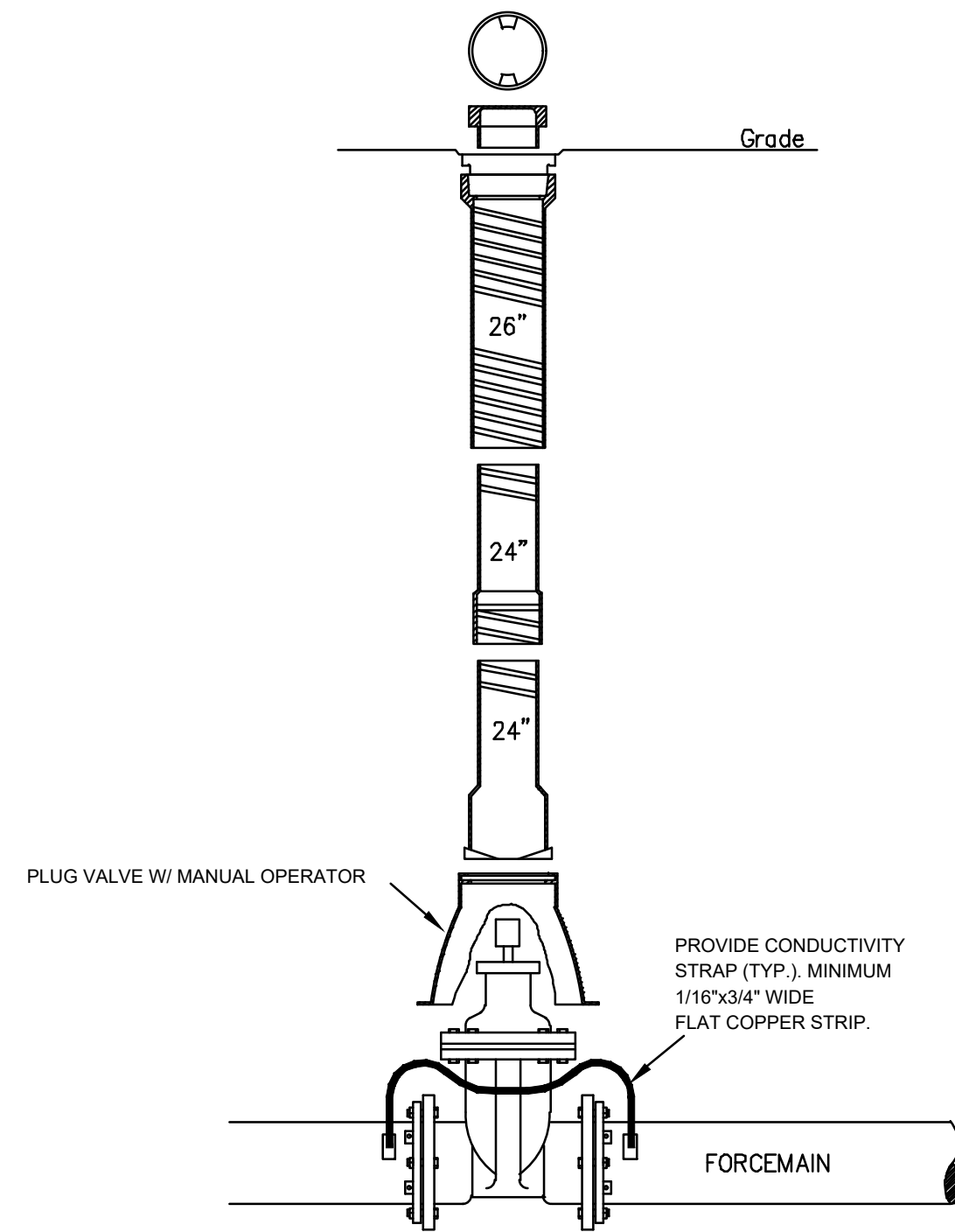
NOTE: EXTERIOR SURFACE OF PLUGS TO BE COATED WITH LIGHT FILM OF OIL AFTER INSTALLATION & PRIOR TO POURING CONC. TO PREVENT BONDING



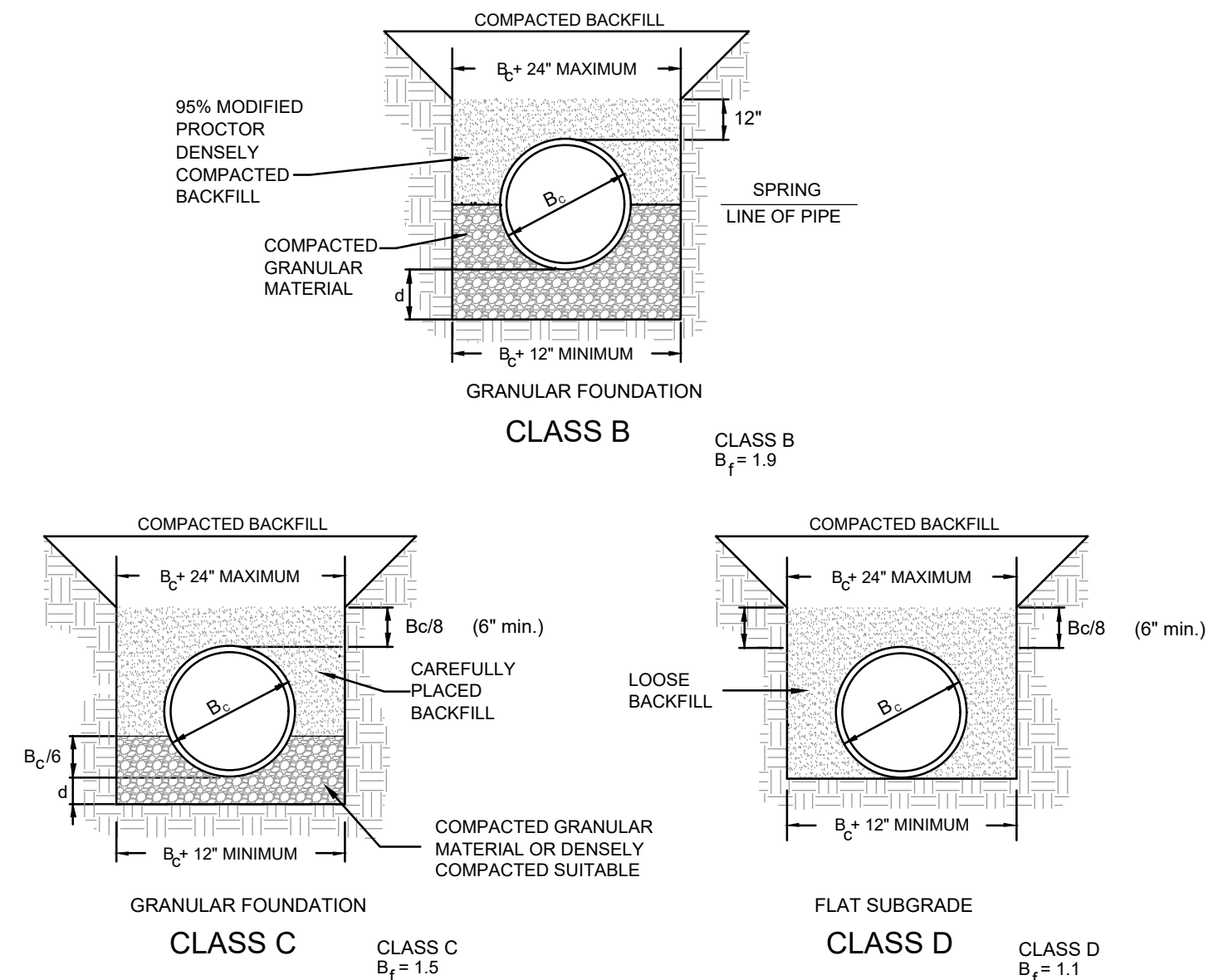
MINIMUM THRUST BLOCK AREA IN SQ. FT. OF BEARING AGAINST UNDISTURBED SOIL

| PIPE SIZE | PLUG | 90° BEND | 80° BEND | 45° BEND | 30° BEND | 22.5° BEND | 11.25° BEND |
|-----------|------|----------|----------|----------|----------|------------|-------------|
| 6 | 2 | 2 | 2 | 1 | 1 | 1 | NONE |
| 8 | 3 | 3 | 3 | 2 | 2 | 2 | NONE |
| 12 | 6 | 6 | 6 | 4 | 3 | 2 | 1 |
| 14 | 6 | 6 | 6 | 4 | 3 | 2 | 1 |
| 18 | 10 | 14 | 10 | 7 | 5 | 4 | 2 |
| 20 | 12 | 17 | 12 | 9 | 6 | 5 | 2 |
| 24 | 19 | 27 | 17 | 14 | 9 | 8 | 3 |

A THRUST BLOCK DETAILS
C400 NOT TO SCALE



B PLUG VALVE AND BOX INSTALLATION
C400 NOT TO SCALE



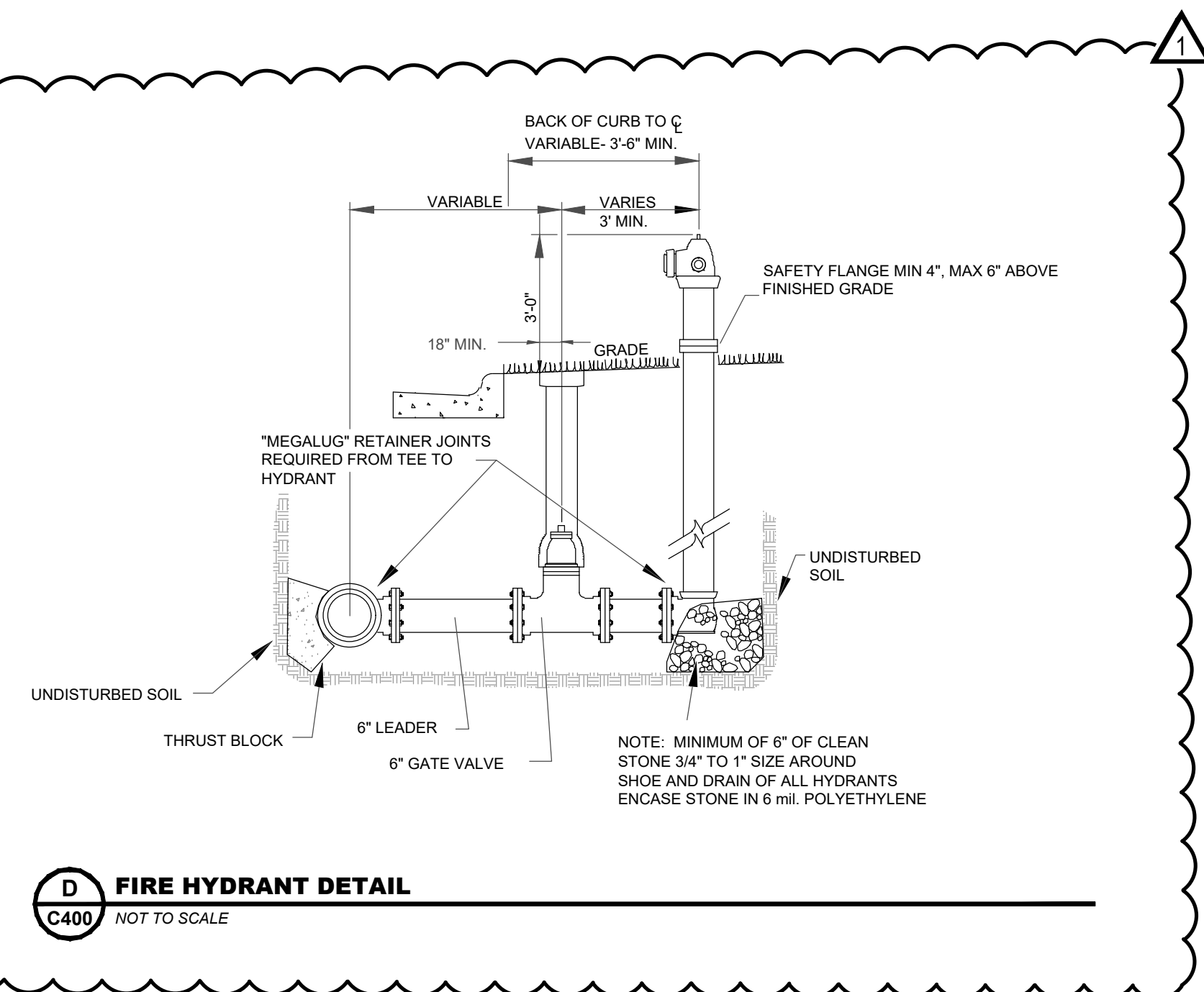
| Depth of Bedding Material Below Pipe | D (min.) |
|--------------------------------------|----------|
| 27" & smaller | 3" |
| 30" to 60" | 4" |
| 66" & larger | 6" |

LEGEND
B = outside diameter
H = backfill cover above top of pipe
D = inside diameter
d = depth of bedding material below pipe

NOTES:
For Class B and C beddings, subgrades should be excavated or over excavated, if necessary, so a uniform foundation free of protruding rocks may be provided.

For Class B and C beddings, 3" crushed rock required in wet trench without additional cost to owner.

C PIPE BEDDING DETAILS
C400 NOT TO SCALE



D FIRE HYDRANT DETAIL
C400 NOT TO SCALE

| REVISIONS: | DATE: |
|---|------------------|
| Δ - ADDED DETAIL D (HYDRANT) - REVISED DETAIL A (THRUST BLOCKS) | 2/22/2021 R.C.J. |

PREPARED BY:
PARAGON ASSOCIATES
Environmental Design & Consulting
6322 COPLEY AND AVENUE, LA CROSSE, WI 54603
Tel: 608.781.3110 Fax: 608.781.3197 Paragon-Assoc.biz

PREPARED FOR:
Kwik Trip
SITE ADDRESS:
1626 OAK STREET
LA CROSSE, WI 54603

PROJECT NAME:
GILLETTE STREET WATERMAIN & SANITARY SEWER FORCEMAIN RELOCATION
SHEET NAME:
STANDARD DETAILS

| PROJECT NO: | 20-020 |
|---|-------------|
| DRAWN BY: | R.C.J. |
| CHECKED BY: | J.S.M. |
| DATE: | 01/19/2021 |
| CAD FILE: | |
| 20-020-KT-09-Daily Utility Relocation.dwg | |
| SCALE: | 1" = XX' |
| SHEET NO: | C500 |