

# BRIGHTSPEED LA CROSSE

LCRSWIXC

2301 7TH ST S, LA CROSSE, WI 54601, USA  
CONDUIT LAYOUT

## Sheet List Table

Sheet Number	Sheet Title
01	COVER SHEET
02	GENERAL NOTES
03	LEGENDS
04	TYPICAL
05-07	FIBER LAYOUTS

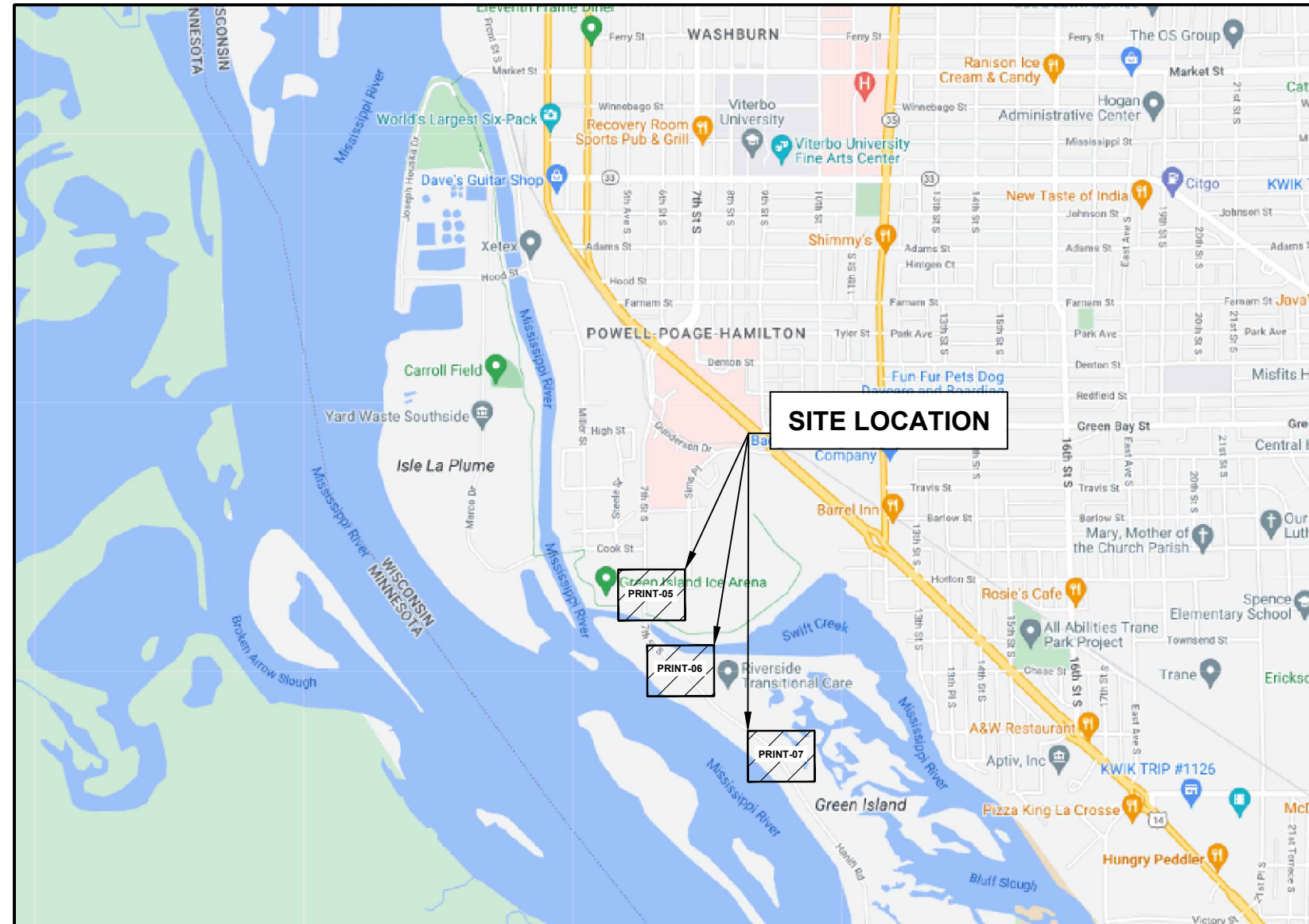
## Material List Table

ITEM	QUANTITY
FEEDER FIBER	00
JUMPER	00
17"X30"X18" HH	00
12"X24"X18" HH	00
24"X36"X24" HH	00
2" CONDUIT	572'
NEW STRAND	00
ANCHOR	01

## BLM INFO

SECTION	S20
MUNICIPALITY	LA CROSSE
TOWNSHIP	T15N
COUNTY	LA CROSSE
RANGE	R07W

REVISION	DATE	DESCRIPTION

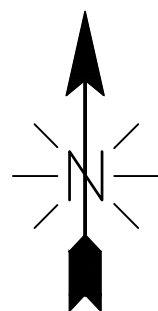


## GENERAL ABBREVIATIONS

R/W	RIGHT OF WAY
S/W	SIDEWALK
C/L	CENTER LINE
CSW	CONCRETE SIDEWALK
DWY	DRIVEWAY
FOC	FACE OF CURB
BOC	BACK OF CURB
EOC	EDGE OF CURB
EOP	EDGE OF PAVEMENT
ETW	ETW LINE
HH	HANDHOLE
MH	MANHOLE
N.T.S.	NOT TO SCALE
CONC	CONCRETE
PED	PEDESTAL (UTILITY)
PVC	POLYVINYL CHLORIDE
P/L	PROPERTY LINE
RR	RAILROAD
SL	STREET LIGHT
W-BLDG	WALL TO BUILDING
W-P	WALL TO POLE
W-W	WALL TO WALL
U/E	UTILITY EASEMENT
SD	STORM DRAIN
TS	TRAFFIC SIGNAL

**PERMITTING AGENCY**  
CITY OF LA CROSSE

**PROPOSED LINEAR PATH FOOTAGE**  
UG PATH - 572 FT



Know what's below.  
Call before you dig.



CONFIDENTIAL AND PROPRIETARY  
LCRSWIXC

COVER SHEET

**PLAN SHEET DISCLAIMER:**

1. EVERY REASONABLE EFFORT HAS BEEN MADE TO ASSURE THE ACCURACY OF THESE PLANS AND ASSOCIATED DATA.
2. IN AN EFFORT TO INCREASE THE CLARITY AND LEGIBILITY OF THE PLANS, EXISTING UNDERGROUND UTILITIES WILL NOT BE SHOWN UNLESS THERE IS PROPOSED WORK THAT WILL REQUIRE EXCAVATION OR ANY OTHER EARTH DISTURBING ACTIVITY. IF PROPOSED WORK WILL REQUIRE THIS TYPE OF ACTIVITY, EXISTING UNDERGROUND UTILITIES WILL BE PROPERLY INVESTIGATED AND REPRESENTED ON THE PLAN SHEET OF THE RESPECTIVE WORK LOCATION

**UTILITIES**

1. THE IDENTITY AND LOCATION OF EXISTING UNDERGROUND UTILITIES LOCATED IN AND AROUND THE CONSTRUCTION AREA HAVE BEEN SHOWN AND LABELED ON THE PLANS BY USING INFORMATION PROVIDED BY THE RESPECTIVE UTILITY OWNERS.
2. SUPPORT AND PROTECTION OF ALL UTILITIES AND APPURTENANCES SHALL BE THE RESPONSIBILITY OF THE CONTRACTOR. COSTS FOR THE REPAIR AND RESTORATION OF EXISTING UTILITIES DAMAGED BY THE CONTRACTOR SHALL BE THE RESPONSIBILITY OF THE CONTRACTOR
3. CALL 811 BEFORE YOU DIG. AT LEAST 48 HOURS PRIOR TO EXCAVATION.

**WORK LIMITS**

1. THE WORK LIMITS SHOWN ON THESE PLANS ARE FOR PHYSICAL CONSTRUCTION ONLY. THE INSTALLATION AND OPERATION OF ALL TEMPORARY TRAFFIC CONTROL AND TEMPORARY TRAFFIC CONTROL DEVICES REQUIRED BY THESE PLANS SHALL BE PROVIDED BY THE CONTRACTOR WHETHER INSIDE OR OUTSIDE OF THESE WORK LIMITS.

**MAINTAIN DRAINAGE**

1. THE CONTRACTOR AT HIS OWN EXPENSE, SHALL MAINTAIN THE FLOW IN ALL SEWERS, DRAINS, FIELD TILES, AND WATERCOURSES ENCOUNTERED IN AND AROUND THE PROJECT SITE. IF SUCH WATERCOURSES OR DRAINS ARE DISTURBED OR DESTROYED DURING THE EXECUTION OF THE PROJECT, THEY SHALL BE RESTORED BY THE CONTRACTOR AT HIS OWN EXPENSE TO A CONDITION SATISFACTORY TO THE ENGINEER.

**SECURING EXCAVATIONS & TRENCHES FOR NON-WORKING HOURS**

1. EXCAVATIONS AND TRENCHES OVER 24-INCHES DEEP SHALL BE SECURELY PLATED OR BACKFILLED DURING NON-WORKING HOURS.

**EXCAVATION OF ROADWAY AND RIGHT-OF-WAY AREAS**

1. ANY CONTRACTOR PERFORMING EXCAVATION, INCLUDING BUT NOT LIMITED TO DISTURBING THE EARTH WITH POWERED OR NON-POWERED EQUIPMENT, DRILLING AND/OR BORING, SHALL CAUSE NOTICE TO BE GIVEN BY CALLING 811 AT LEAST 48 HOURS BUT NOT MORE THAN 10 WORKING DAYS BEFORE EXCAVATING.
2. THE EXCAVATOR SHALL PROTECT AND PRESERVE THE MARKINGS UNTIL THOSE MARKINGS ARE NO LONGER NEEDED. IF AN EXCAVATION WILL COVER A LARGE AREA AND/OR PROGRESS FROM ONE AREA TO THE NEXT OVER A PERIOD OF TIME, THE EXCAVATOR SHALL COORDINATE THE MARKING OF APPROXIMATE LOCATIONS OF CITY OWNED FACILITIES WITH THE ACTUAL EXCAVATION.
3. THE CONTRACTOR IS RESPONSIBLE FOR LOCATING ALL CUSTOMER OWNED SERVICE LINES/LATERALS. THE CONTRACTOR SHALL FIELD VERIFY THE HORIZONTAL AND VERTICAL LOCATION OF ANY CITY OR CUSTOMER OWNED MAIN OR SERVICE LINE/LATERALS THAT MAY BE AFFECTED BY THE PROPOSED CONSTRUCTION ACTIVITIES. FIELD VERIFICATION SHALL TAKE PLACE PRIOR TO ANY ACTIVITY THAT MAY JEOPARDIZE THE INTEGRITY OF THE FACILITY AND AT A LOCATION NEAREST THE POINT OF POSSIBLE CONFLICT.
4. ANY DAMAGES TO CITY OR CUSTOMER OWNED FACILITIES SHOULD FIRST BE REPORTED TO THE UTILITY OWNER THEN IMMEDIATELY NOTIFY THE PROJECT ENGINEER.

**AERIAL CONSTRUCTION:**

1. CONTRACTOR TO VERIFY ALL BONDING AND GROUNDING COMPLES WITH NESC GUIDELINES.
2. CONSTRUCTION TO VERIFY ALL REQUIRED MAKE READY WORK IS COMPLETE BEFORE PLACING ON UTILITY POLES.

**SAFETY NOTE:**

1. CHECK IN WITH CONSTRUCTION SUPERVISOR WHEN ARRIVING ON-SITE.
2. HEAVY CONSTRUCTION EQUIPMENT IN USE. BEWARE OF SURROUNDINGS.
3. FOLLOW CONGRUEX SAFETY POLICIES AND GUIDELINES AT ALL TIMES WHILE WORKING.
4. CONSTRUCTION ZONE/ HARD HAT, SAFETY GLASSES, REFLECTIVE VEST/SHIRT, SAFETY TOE BOOTS REQUIRED – WORK SAFELY

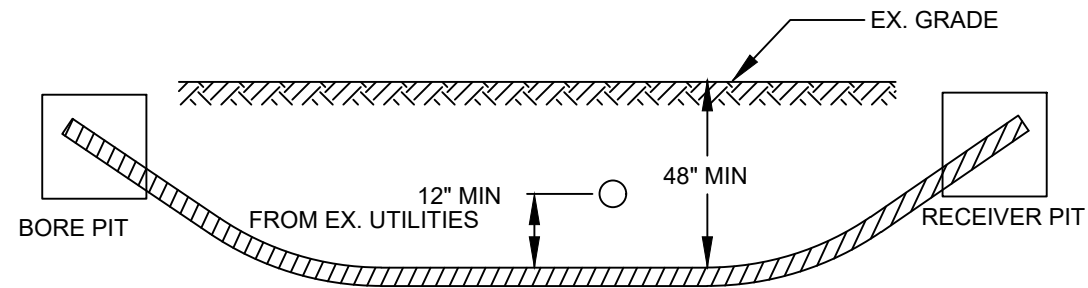
## EXISTING EQUIPMENTS LEGENDS

R/W	CENTER LINE	EOP	BOC	PROPERTY LINE	FENCE	TELCO	ELECTRIC	GAS	TRAFFIC SIGNAL	WATER	SEWER	STORM DRAIN	UTILITY EASEMENT	RAIL TRACKS	SIDEWALK	CABINET	EXISTING PED	EXISTING FLOWERPOT	EXISTING HANDHOLE	TELEPHONE CABINET	TELEPHONE MANHOLE	POLE	CABLE MARKER	STREET SIGN	VERTICAL GROUND	ELECTRIC PEDESTAL/CABINET	ELECTRIC TRANSFORMER	ELECTRIC METER	ELECTRIC VAULT/HANDHOLE	ELECTRIC MANHOLE	EXISTING VAULT	STREETLIGHT	POWER PED	CATV PED	CATV VAULT/HANDHOLE	TREE	TRANSFORMER	GAS METER	GAS VALVE	SEWER MANHOLE	UNKNOWN MANHOLE	WATER METER	WATER VALVE	FIRE HYDRANT	WATER MANHOLE	STORM DRAIN CATCH BASIN	STORM DRAIN MANHOLE	CULVERT	C/L MONUMENT	ANCHOR & DOWN GUY
-----	-------------	-----	-----	---------------	-------	-------	----------	-----	----------------	-------	-------	-------------	------------------	-------------	----------	---------	--------------	--------------------	-------------------	-------------------	-------------------	------	--------------	-------------	-----------------	---------------------------	----------------------	----------------	-------------------------	------------------	----------------	-------------	-----------	----------	---------------------	------	-------------	-----------	-----------	---------------	-----------------	-------------	-------------	--------------	---------------	-------------------------	---------------------	---------	--------------	-------------------

## PROPOSED EQUIPMENTS LEGENDS

BORE	TRENCH	AERIAL FIBER	AERIAL STRAND	12"X24"X18" HANDHOLE	17"X30"X18" HANDHOLE	24"X36"X24" HANDHOLE	36"X48"X30" HANDHOLE	ANCHOR & DOWN GUY
------	--------	--------------	---------------	----------------------	----------------------	----------------------	----------------------	-------------------

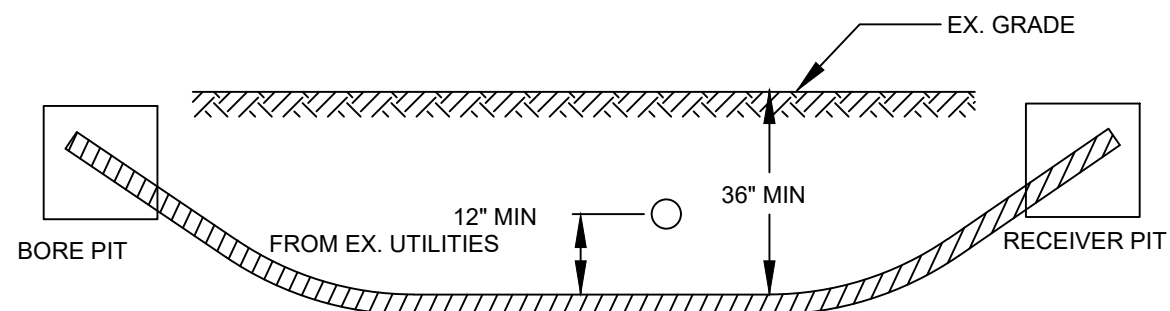
MINIMUM STANDARDS FOR DIRECTIONAL BORING  
STREET CROSSINGS



- PLACE END MARKER WITH UTILITY OWNER'S NAME DESCRIBING CONDUIT
- BORE PIT TO BE BACKFILLED AND COMPACTED IN 12" LIFTS WITH MATERIAL REMOVED
- FLOW OF DITCH MUST BE MAINTAINED AT ALL TIMES
- PROTECT ROOTS AT ALL TREE LOCATIONS, SHIFT BORE TRENCH IF NECESSARY

**TYPICAL BORE DETAILS 1**

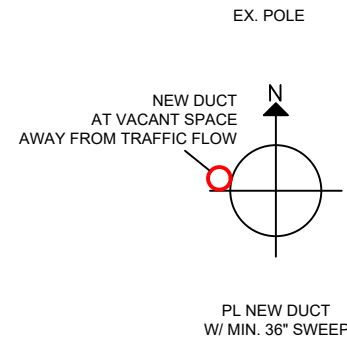
MINIMUM STANDARDS FOR DIRECTIONAL BORING  
UNDER SIDEWALKS & WITHIN ROW (EXCLUDING STREET CROSSINGS)



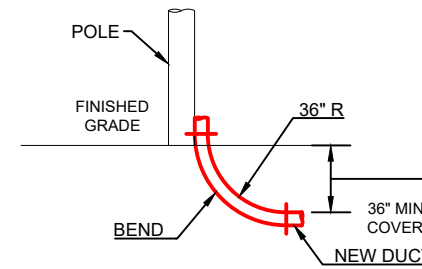
- PLACE END MARKER WITH UTILITY OWNER'S NAME DESCRIBING CONDUIT
- BORE PIT TO BE BACKFILLED AND COMPACTED IN 12" LIFTS WITH MATERIAL REMOVED
- FLOW OF DITCH MUST BE MAINTAINED AT ALL TIMES
- PROTECT ROOTS AT ALL TREE LOCATIONS, SHIFT BORE TRENCH IF NECESSARY

**TYPICAL BORE DETAILS 2**

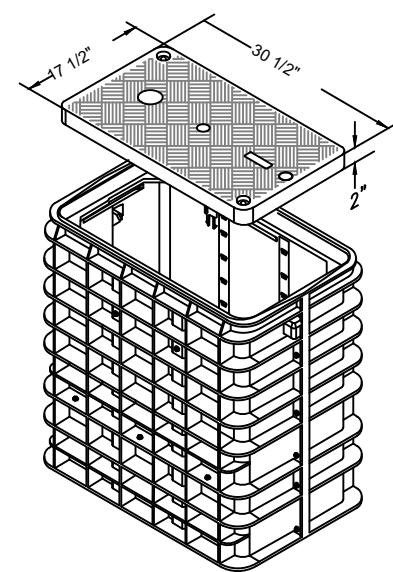
PLAN VIEW



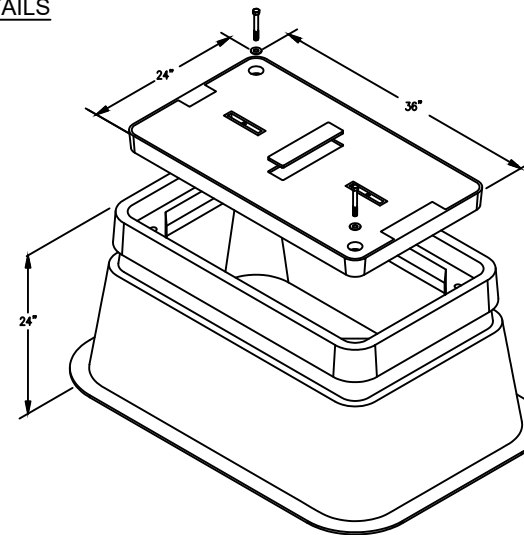
ELEVATION



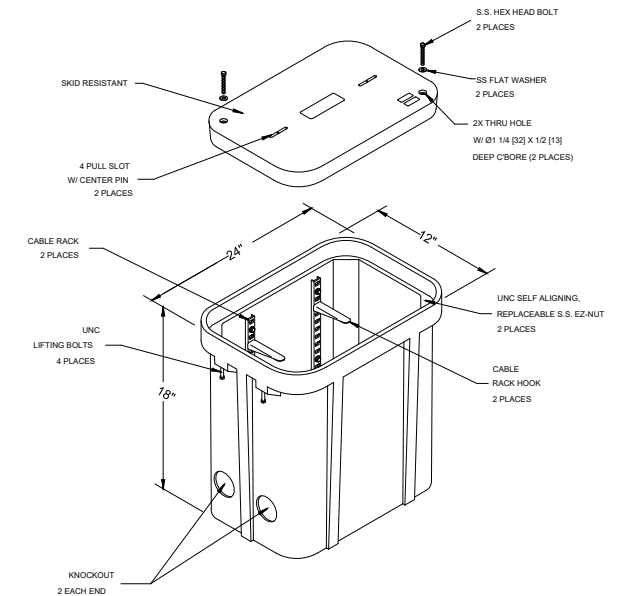
RISER DETAILS



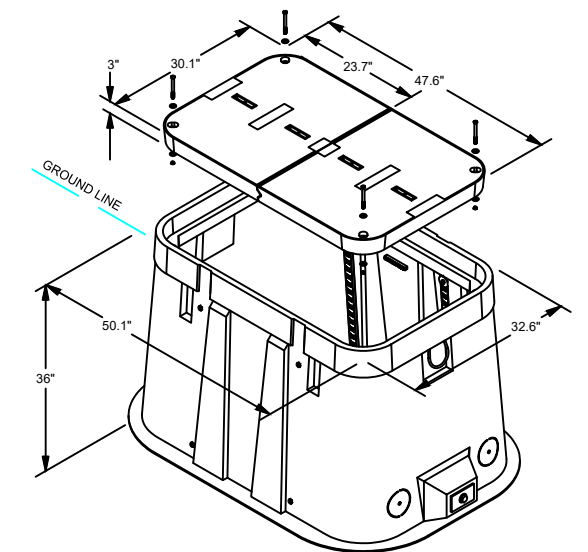
**17"x30"x18"**  
N.T.S.



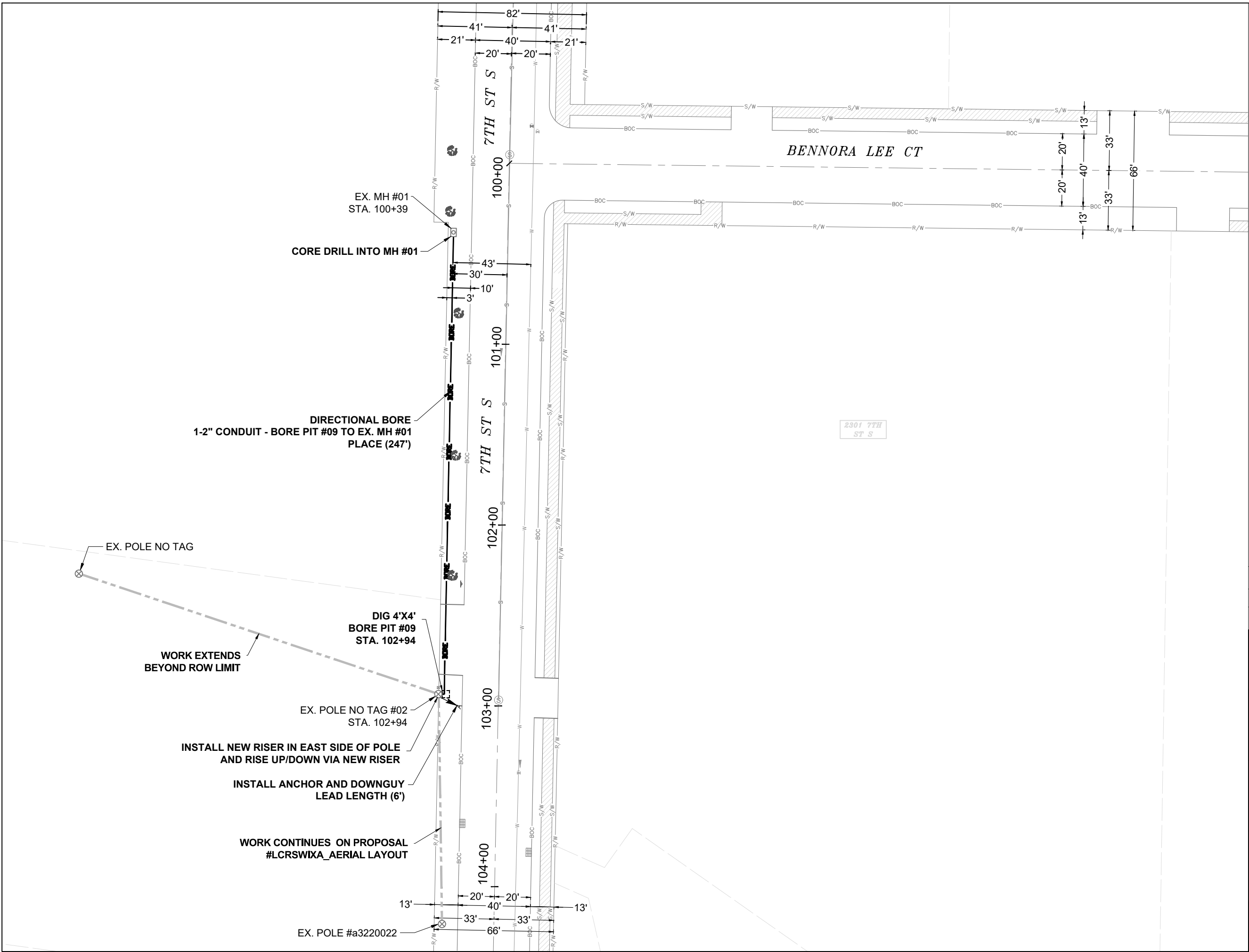
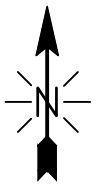
**24"x36"x24"**  
N.T.S.



**12"x24"x18"**  
N.T.S.



**30"x48"x36"**  
N.T.S.



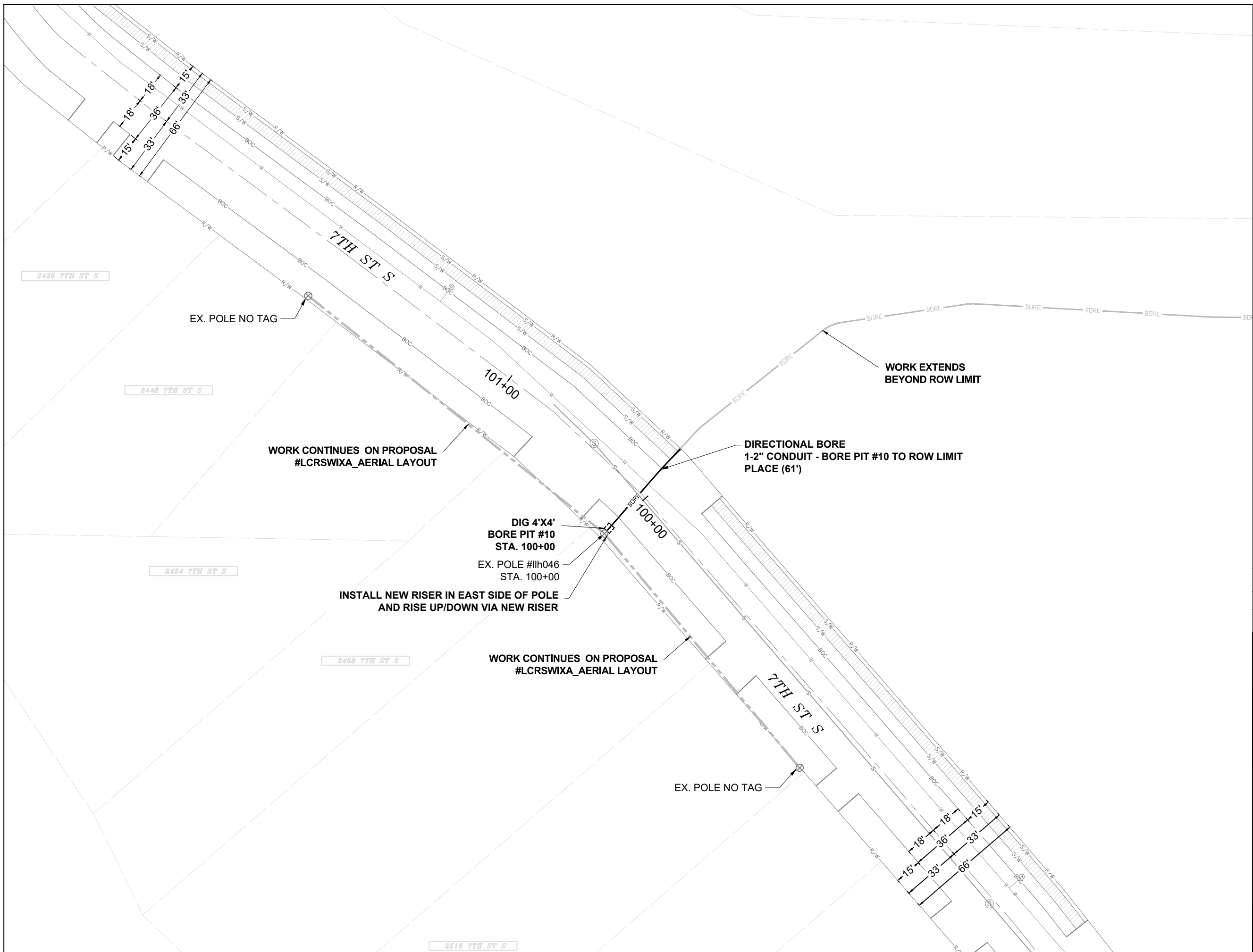
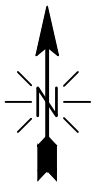
**EXCAVATION DATA**

PROPOSED UTILITY	DIRT
(1) BORE PIT 4'X4'	16 SQFT

CALL 811 BEFORE YOU DIG.  
 WISCONSIN TOLL FREE  
 800-242-8511



CONFIDENTIAL AND PROPRIETARY  
 LCRSWIXC



**EXCAVATION DATA**

PROPOSED UTILITY	DIRT
(1) BORE PIT 4'X4'	16 SQFT

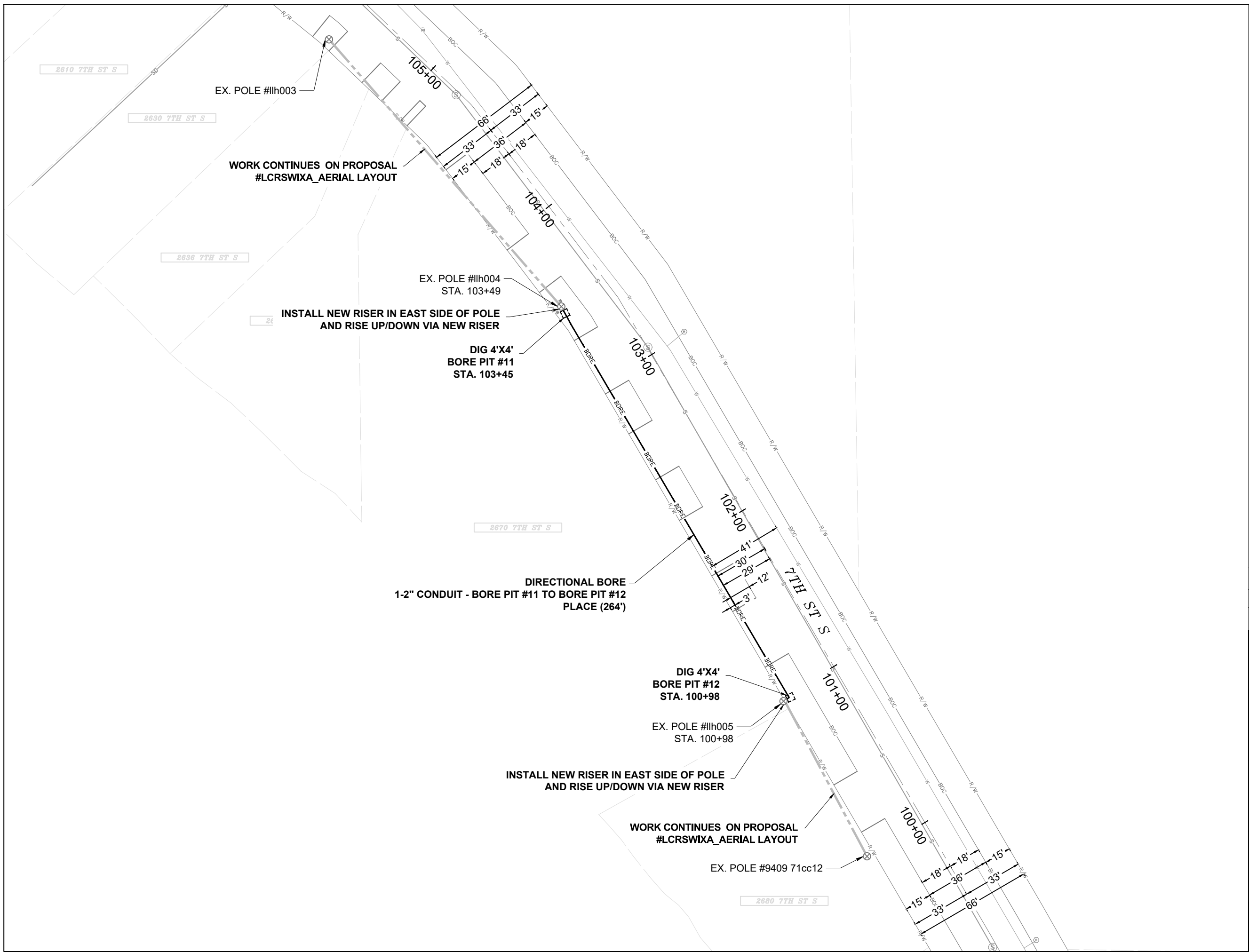
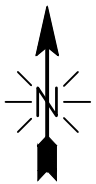
CALL 811 BEFORE YOU DIG.  
WISCONSIN TOLL FREE  
800-242-8511



**CONFIDENTIAL AND PROPRIETARY**  
**LCRSWIXC**

**06 OF 07**

SCALE: 1" = 50'



**EXCAVATION DATA**

PROPOSED UTILITY	DIRT
(2) BORE PIT 4'X4'	32 SQFT

CALL 811 BEFORE YOU DIG.  
WISCONSIN TOLL FREE  
800-242-8511



CONFIDENTIAL AND PROPRIETARY  
**LCRSWIXC**

**07 OF 07**

SCALE: 1" = 50'