

UTILITY NOTES:

ALL WATER & SEWER (STORM & SANITARY) CONSTRUCTION SHALL COMPLY WITH THE LATEST EDITION OF "STANDARD SPECIFICATIONS FOR SEWER & WATER IN THE STATE OF WISCONSIN", ALONG WITH THE CITY OF LA CROSSE STANDARD SPECIFICATIONS, AS APPROPRIATE.

SUITABLE ON-SITE GRANULAR MATERIAL SHALL BE USED FOR TRENCH BACKFILL TO PROPOSED ELEVATIONS. BACKFILL SHALL BE COMPACTED AS SPECIFIED.

ALL EXISTING INVERTS & LOCATIONS SHALL BE VERIFIED PRIOR TO CONSTRUCTION. ALL DISCREPANCIES FROM INFORMATION SHOWN ON THE PLANS SHALL BE REPORTED TO THE ENGINEER IMMEDIATELY.

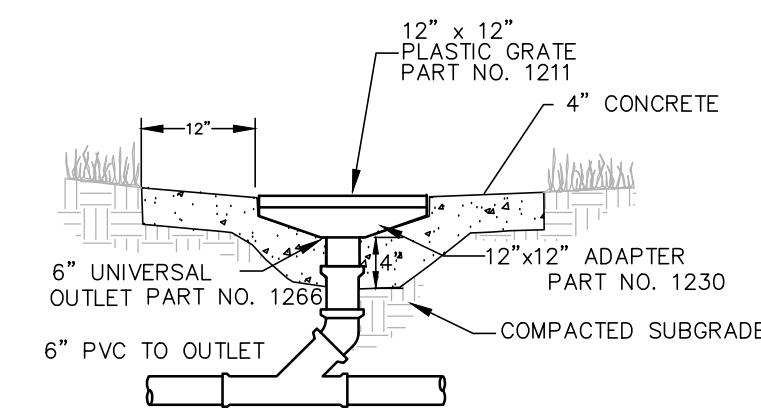
CONTRACTOR SHALL IDENTIFY & MARK THE EXACT LOCATIONS OF ALL UNDERGROUND CONNECTION TO WATER AND SEWER MAINS, BENDS CURB BOXES, CLEAN OUTS, ETC... ON THE ASBUILT PLANS. COPIES OF THESE DOCUMENTS SHALL BE DELIVERED TO THE ENGINEER FOR RECORD.

LOCATION REQUIREMENT: NON METALLIC SEWER/MAINS AND SERVICES MUST BE PROVIDED WITH TRACE WIRE OR OTHER METHODS IN ORDER TO BE LOCATED.

SHOP DRAWINGS FOR UTILITIES ARE REQUIRED.

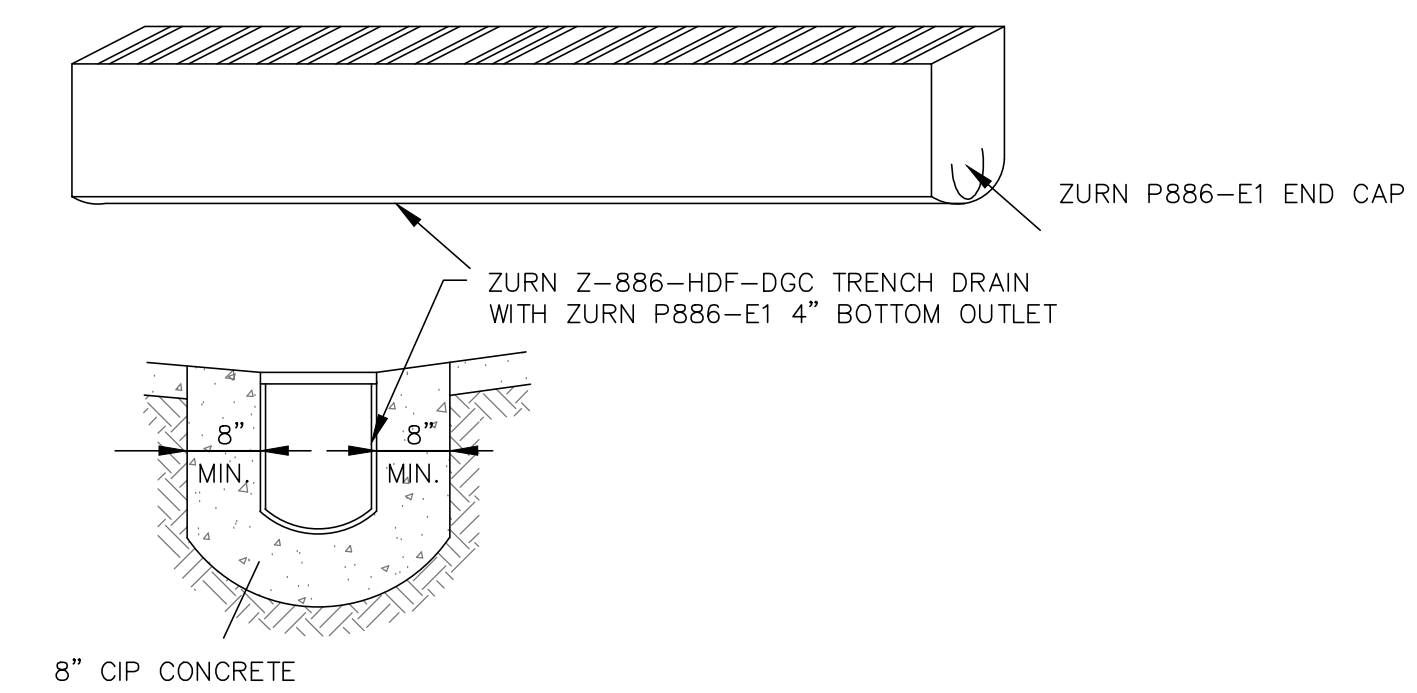
ALL MANHOLES SHALL BE BUILT WITH ECCENTRIC CONES.

- ① STORM INLET, SEE (A/C4)
- ② TRENCH DRAIN, SEE (B/C4)
- ③ BIOFILTER, SEE (C/C4)

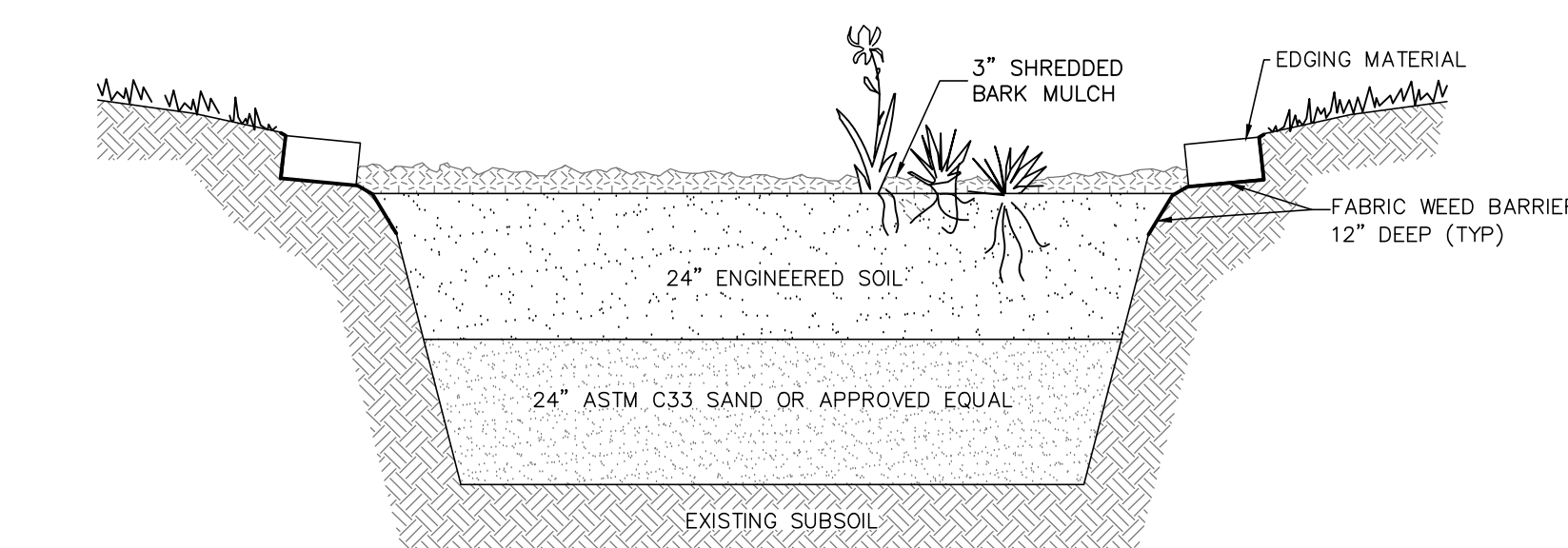


-ALL PART NUMBERS ARE NDS PRODUCT NUMBERS
 NDS
 PO BOX 339, 851 N. HARVARD AVE
 LINDSAY, GA 33247
 (800) 726-1994

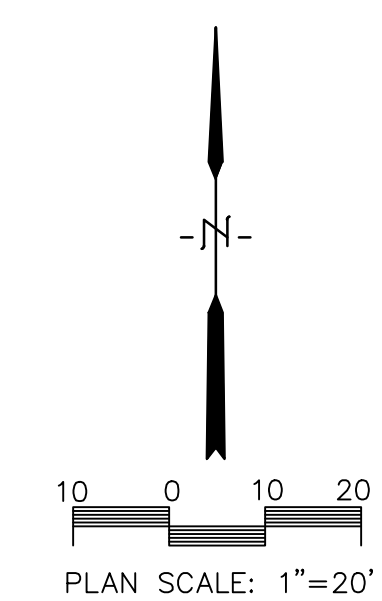
(A/C4) STORM INLET - NDS TYPE
 NO SCALE



(B/C4) TRENCH DRAIN DETAIL
 NO SCALE



(C/C4) BIOFILTER DETAIL
 NO SCALE



REVISIONS	BY

PARAGON ASSOCIATES
 Environmental Design & Consulting
 CIVIL ENGINEERING · LANDSCAPE ARCHITECTURE · SURVEYING
 632 COPELAND AVENUE · LA CROSSE, WI 54603
 Tel: 608.781.3110 Fax: 608.781.3197 Paragon-Assoc.biz

PREPARED FOR:
XXXX

ADVANCED FIBER PRODUCTS - ADDITION
2970 LUOYANG AVENUE
LA CROSSE, WISCONSIN
UTILITY PLAN

DRAWN	C.G.
PROJECT No	15-086
DATE	09/18/2015
SCALE	1"=20'
CAD FILE	15-086 Advanced Fiber Add 02
SHEET	

C4