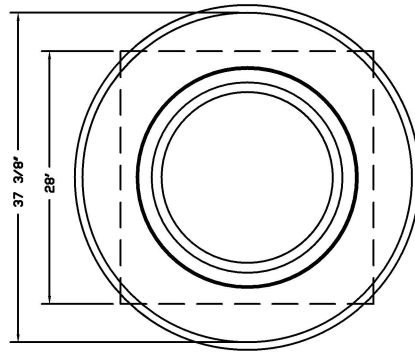
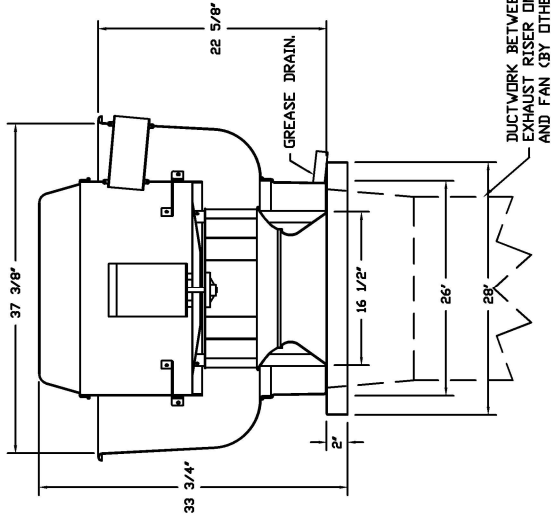


FAN #1 DU180HHTH - EXHAUST FAN (SND2 WALL EXHAUST)



TOP VIEW

FEATURES:

- DIRECT DRIVE CONSTRUCTION (NO BELTS/PULLEYS).
- ROOF MOUNTED FANS.
- RESTAURANT MODEL.
- UL705 AND UL762 AND ULC-S645
- VARIABLE SPEED CONTROL.
- INTERNAL VIBING.
- THERMAL OVERLOAD PROTECTION (SINGLE PHASE).
- HIGH HEAT OPERATION 300°F (149°C).
- GREASE CLASSIFICATION TESTING.
- NEMA 3R SAFETY DISCONNECT SWITCH.

NORMAL TEMPERATURE TEST:

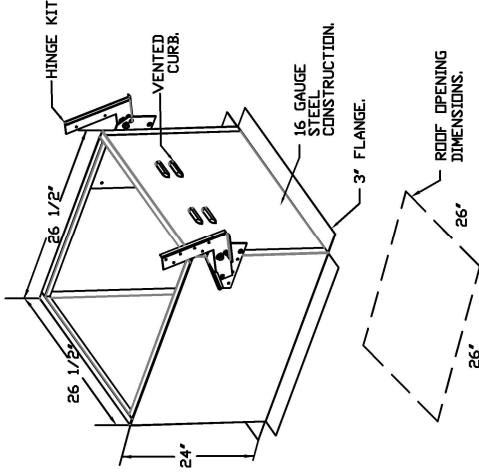
EXHAUST FAN MUST OPERATE CONTINUOUSLY WHILE EXHAUSTING AIR AT 300°F (149°C) UNTIL ALL FAN PARTS HAVE REACHED THERMAL EQUILIBRIUM, AND WITHOUT ANY DETERIORATING EFFECTS TO THE FAN WHICH WOULD CAUSE UNSAFE OPERATION.

ABNORMAL FLARE-UP TEST:

EXHAUST FAN MUST OPERATE CONTINUOUSLY WHILE EXHAUSTING BURNING GREASE VAPORS AT 600°F (316°C) FOR A PERIOD OF 15 MINUTES WITHOUT THE FAN BECOMING DAMAGED TO ANY EXTENT THAT COULD CAUSE AN UNSAFE CONDITION.

OPTIONS:

- GREASE BOX.
- THROUGH WALL CURB MOUNT INSTALLATION. CURB HEIGHT MUST BE MINIMUM 10" TALLER THAN WALL THICKNESS FOR USE WITH A HINGE KIT.
- WALL MOUNT CONSTRUCTION 18/20 (D60 ISOLATORS), 70LB MOTOR MAX FOR WALL MOUNTING.
- HINGE KIT LOCKING (XHD)- SHIPS LOOSE FOR CURB SUPPLIED BY OTHERS.
- SHIP LOOSE DISCONNECT FOR REMOTE MOUNT.
- VAV PACKAGE W/ MANUAL CONTROL (VFD INCLUDED).
- VFD FACTORY MOUNTED AND WIRED IN EXHAUST FAN.
- VFD MOUNTING BRACKET FOR DU/DR 180 - 200.
- EXHAUST FAN HEAT BAFFLE.
- 2 YEAR PARTS WARRANTY.



JOB La. Crosse Food Hall Option#1	
LOCATION LA CROSSE, WI.	
DATE 7/20/2023	JOB # 6110806
DWG # 12	DRAWN BY
REV.	SCALE 3/8" = 1'-0"

