

BRIGHTSPEED LA CROSSE

LCRSWIXC

2727 CASS STREET, LA CROSSE, WI, USA
CONDUIT LAYOUT

Sheet List Table

Sheet Number	Sheet Title
01	COVER SHEET
02	GENERAL NOTES
03	LEGENDS
04	TYPICALS
05-07	FIBER LAYOUTS

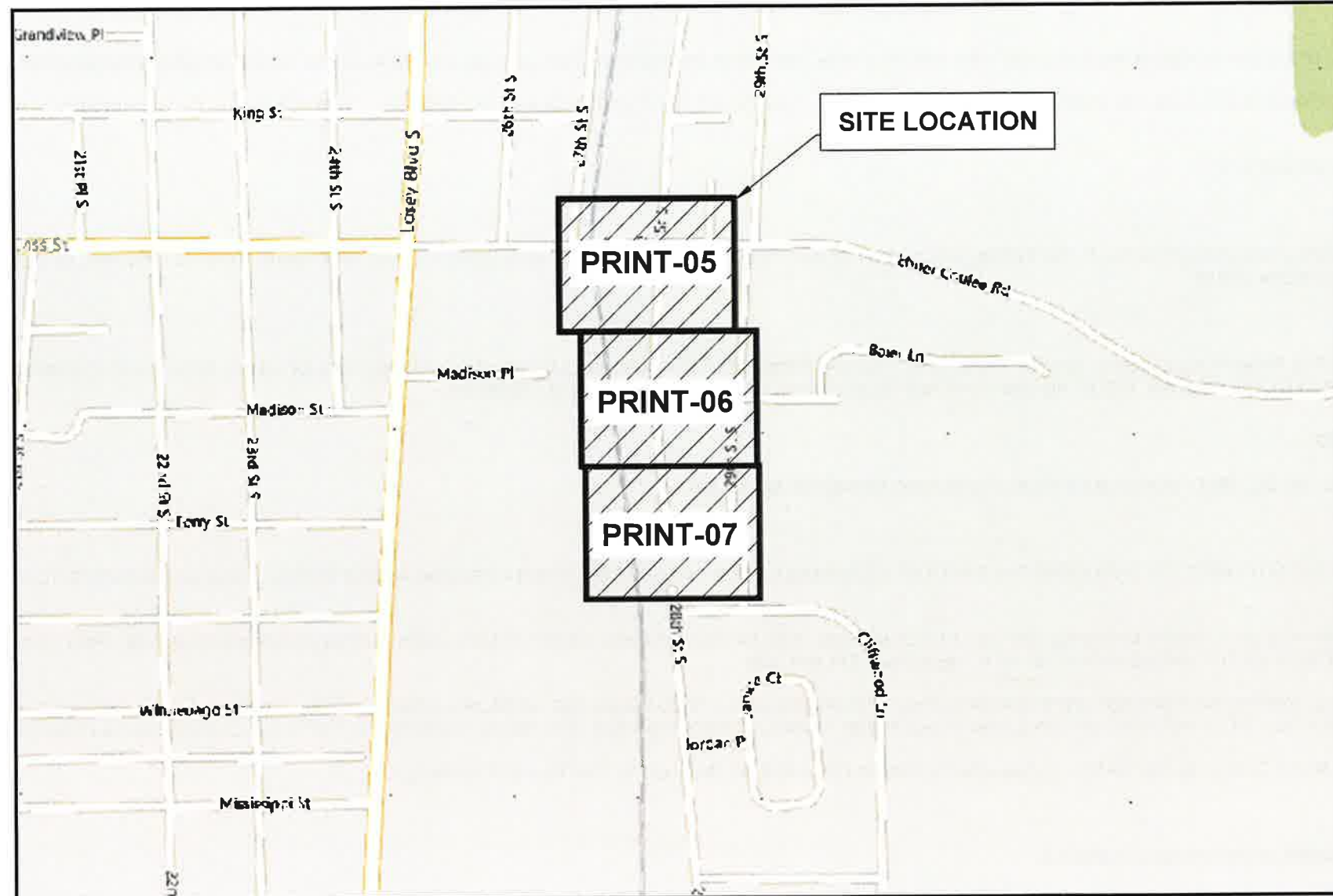
Material List Table

ITEM	QUANTITY
17"X30"X18" HH	05
12"X24"X18" HH	00
36"X48"X30" HH	00
2" CONDUIT	1,276'
FEEDER FIBER	00
JUMPER	00
NEW STRAND	00
ANCHOR	00

BLM INFO

SECTION	S4
MUNICIPALITY	LA CROSSE
TOWNSHIP	T15N
COUNTY	LA CROSSE
RANGE	R7W

REVISION	DATE	DESCRIPTION
1	10.26.2023	BORE PATH ADJUSTED ON SHEET 06 TO MAINTAIN REQUIRED CLEARANCE WITH EX. UTILITIES

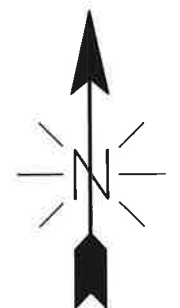


GENERAL ABBREVIATIONS

R/W	RIGHT OF WAY
S/W	SIDEWALK
C/L	CENTER LINE
CSW	CONCRETE SIDEWALK
DWY	DRIVEWAY
FOC	FACE OF CURB
BOC	BACK OF CURB
EOC	EDGE OF CURB
EOP	EDGE OF PAVEMENT
ETW	ETW LINE
HH	HANDHOLE
MH	MANHOLE
N.T.S.	NOT TO SCALE
CONC	CONCRETE
PED	PEDESTAL (UTILITY)
PVC	POLYVINYL CHLORIDE
P/L	PROPERTY LINE
RR	RAILROAD
SL	STREET LIGHT
W-BLDG	WALL TO BUILDING
W-P	WALL TO POLE
W-W	WALL TO WALL
U/E	UTILITY EASEMENT
SD	STORM DRAIN
TS	TRAFFIC SIGNAL

PERMITTING AGENCY
CITY OF LA CROSSE

PROPOSED LINEAR PATH FOOTAGE
UG PATH - 1,276 FT



LCRSWIXC

COVER SHEET

PLAN SHEET DISCLAIMER:

1. EVERY REASONABLE EFFORT HAS BEEN MADE TO ASSURE THE ACCURACY OF THESE PLANS AND ASSOCIATED DATA.
2. IN AN EFFORT TO INCREASE THE CLARITY AND LEGIBILITY OF THE PLANS, EXISTING UNDERGROUND UTILITIES WILL NOT BE SHOWN UNLESS THERE IS PROPOSED WORK THAT WILL REQUIRE EXCAVATION OR ANY OTHER EARTH DISTURBING ACTIVITY. IF PROPOSED WORK WILL REQUIRE THIS TYPE OF ACTIVITY, EXISTING UNDERGROUND UTILITIES WILL BE PROPERLY INVESTIGATED AND REPRESENTED ON THE PLAN SHEET OF THE RESPECTIVE WORK LOCATION

UTILITIES

1. THE IDENTITY AND LOCATION OF EXISTING UNDERGROUND UTILITIES LOCATED IN AND AROUND THE CONSTRUCTION AREA HAVE BEEN SHOWN AND LABELED ON THE PLANS BY USING INFORMATION PROVIDED BY THE RESPECTIVE UTILITY OWNERS.
2. SUPPORT AND PROTECTION OF ALL UTILITIES AND APPURTENANCES SHALL BE THE RESPONSIBILITY OF THE CONTRACTOR. COSTS FOR THE REPAIR AND RESTORATION OF EXISTING UTILITIES DAMAGED BY THE CONTRACTOR SHALL BE THE RESPONSIBILITY OF THE CONTRACTOR
3. CALL 811 BEFORE YOU DIG. AT LEAST 48 HOURS PRIOR TO EXCAVATION.

WORK LIMITS

1. THE WORK LIMITS SHOWN ON THESE PLANS ARE FOR PHYSICAL CONSTRUCTION ONLY. THE INSTALLATION AND OPERATION OF ALL TEMPORARY TRAFFIC CONTROL AND TEMPORARY TRAFFIC CONTROL DEVICES REQUIRED BY THESE PLANS SHALL BE PROVIDED BY THE CONTRACTOR WHETHER INSIDE OR OUTSIDE OF THESE WORK LIMITS.

MAINTAIN DRAINAGE

1. THE CONTRACTOR AT HIS OWN EXPENSE, SHALL MAINTAIN THE FLOW IN ALL SEWERS, DRAINS, FIELD TILES, AND WATERCOURSES ENCOUNTERED IN AND AROUND THE PROJECT SITE. IF SUCH WATERCOURSES OR DRAINS ARE DISTURBED OR DESTROYED DURING THE EXECUTION OF THE PROJECT, THEY SHALL BE RESTORED BY THE CONTRACTOR AT HIS OWN EXPENSE TO A CONDITION SATISFACTORY TO THE ENGINEER.

SECURING EXCAVATIONS & TRENCHES FOR NON-WORKING HOURS

1. EXCAVATIONS AND TRENCHES OVER 24-INCHES DEEP SHALL BE SECURELY PLATED OR BACKFILLED DURING NON-WORKING HOURS.

EXCAVATION OF ROADWAY AND RIGHT-OF-WAY AREAS

1. ANY CONTRACTOR PERFORMING EXCAVATION, INCLUDING BUT NOT LIMITED TO DISTURBING THE EARTH WITH POWERED OR NON-POWERED EQUIPMENT, DRILLING AND/OR BORING, SHALL CAUSE NOTICE TO BE GIVEN BY CALLING 811 AT LEAST 48 HOURS BUT NOT MORE THAN 10 WORKING DAYS BEFORE EXCAVATING.
2. THE EXCAVATOR SHALL PROTECT AND PRESERVE THE MARKINGS UNTIL THOSE MARKINGS ARE NO LONGER NEEDED. IF AN EXCAVATION WILL COVER A LARGE AREA AND/OR PROGRESS FROM ONE AREA TO THE NEXT OVER A PERIOD OF TIME, THE EXCAVATOR SHALL COORDINATE THE MARKING OF APPROXIMATE LOCATIONS OF CITY OWNED FACILITIES WITH THE ACTUAL EXCAVATION.
3. THE CONTRACTOR IS RESPONSIBLE FOR LOCATING ALL CUSTOMER OWNED SERVICE LINES/LATERALS. THE CONTRACTOR SHALL FIELD VERIFY THE HORIZONTAL AND VERTICAL LOCATION OF ANY CITY OR CUSTOMER OWNED MAIN OR SERVICE LINE/LATERALS THAT MAY BE AFFECTED BY THE PROPOSED CONSTRUCTION ACTIVITIES. FIELD VERIFICATION SHALL TAKE PLACE PRIOR TO ANY ACTIVITY THAT MAY JEOPARDIZE THE INTEGRITY OF THE FACILITY AND AT A LOCATION NEAREST THE POINT OF POSSIBLE CONFLICT.
4. ANY DAMAGES TO CITY OR CUSTOMER OWNED FACILITIES SHOULD FIRST BE REPORTED TO THE UTILITY OWNER THEN IMMEDIATELY NOTIFY THE PROJECT ENGINEER.

AERIAL CONSTRUCTION:

1. CONTRACTOR TO VERIFY ALL BONDING AND GROUNDING COMPLES WITH NESC GUIDELINES.
2. CONSTRUCTION TO VERIFY ALL REQUIRED MAKE READY WORK IS COMPLETE BEFORE PLACING ON UTILITY POLES.

SAFETY NOTE:

1. CHECK IN WITH CONSTRUCTION SUPERVISOR WHEN ARRIVING ON-SITE.
2. HEAVY CONSTRUCTION EQUIPMENT IN USE. BEWARE OF SURROUNDINGS.
3. FOLLOW CONGRUEX SAFETY POLICIES AND GUIDELINES AT ALL TIMES WHILE WORKING.
4. CONSTRUCTION ZONE/ HARD HAT, SAFETY GLASSES, REFLECTIVE VEST/SHIRT, SAFETY TOE BOOTS REQUIRED – WORK SAFELY

EXISTING EQUIPMENTS LEGENDS

	R/W
	CENTER LINE
	EOP
	BOC
	PROPERTY LINE
	FENCE
	TELCO
	ELECTRIC
	GAS
	TRAFFIC SIGNAL
	WATER
	SEWER
	STORM DRAIN
	UTILITY EASEMENT
	RAIL TRACKS
	SIDEWALK

	CABINET
	EXISTING PED
	EXISTING FLOWERPOT
	EXISTING HANDHOLE
	TELEPHONE CABINET
	TELEPHONE MANHOLE
	POLE
	CABLE MARKER
	STREET SIGN
	VERTICAL GROUND
	ELECTRIC PEDESTAL/CABINET

	ELECTRIC TRANSFORMER
	ELECTRIC METER
	ELECTRIC VAULT/HANDHOLE
	ELECTRIC MANHOLE
	EXISTING VAULT
	STREETLIGHT
	POWER PED
	CATV PED
	CATV VAULT/HANDHOLE
	TREE
	TRANSFORMER

	GAS METER
	GAS VALVE
	SEWER MANHOLE
	UNKNOWN MANHOLE
	WATER METER
	WATER VALVE
	FIRE HYDRANT
	WATER MANHOLE
	STORM DRAIN CATCH BASIN
	STORM DRAIN MANHOLE

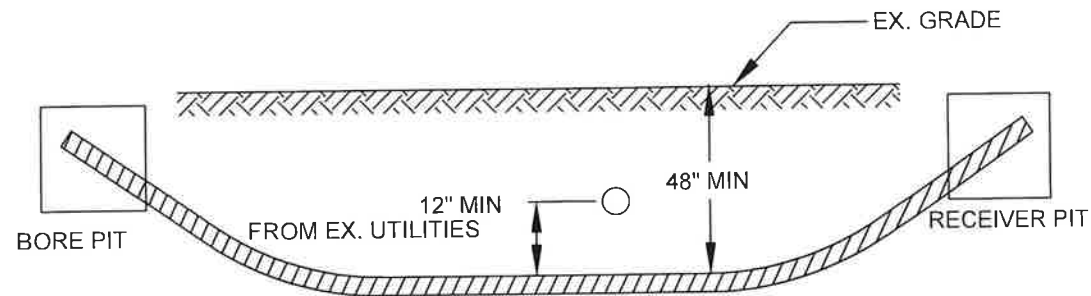
	CULVERT
	C/L MONUMENT
	ANCHOR & DOWN GUY

PROPOSED EQUIPMENTS LEGENDS

	BORE
	TRENCH
	AERIAL FIBER
	AERIAL STRAND

	12"X24"X18" HANDHOLE
	17"X30"X18" HANDHOLE
	24"X36"X24" HANDHOLE
	36"X48"X30" HANDHOLE
	ANCHOR & DOWN GUY

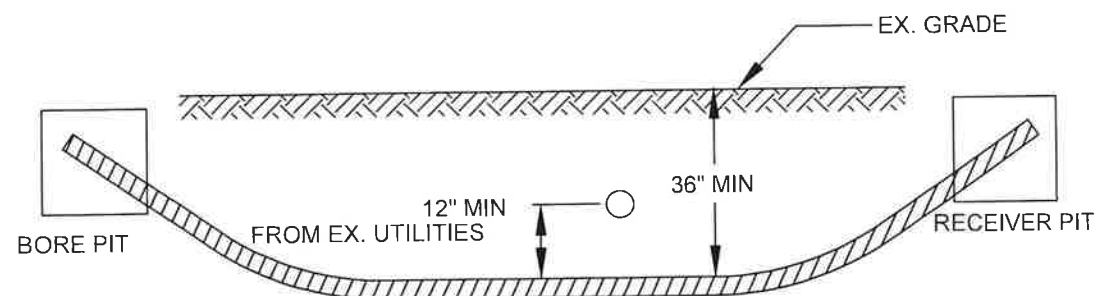
MINIMUM STANDARDS FOR DIRECTIONAL BORING
STREET CROSSINGS



- PLACE END MARKER WITH UTILITY OWNER'S NAME DESCRIBING CONDUIT
- BORE PIT TO BE BACKFILLED AND COMPACTED IN 12" LIFTS WITH MATERIAL REMOVED
- FLOW OF DITCH MUST BE MAINTAINED AT ALL TIMES
- PROTECT ROOTS AT ALL TREE LOCATIONS, SHIFT BORE TRENCH IF NECESSARY

TYPICAL BORE DETAILS 1

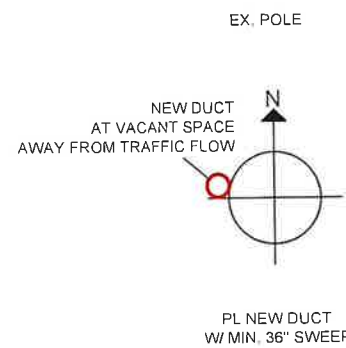
MINIMUM STANDARDS FOR DIRECTIONAL BORING
UNDER SIDEWALKS & WITHIN ROW (EXCLUDING STREET CROSSINGS)



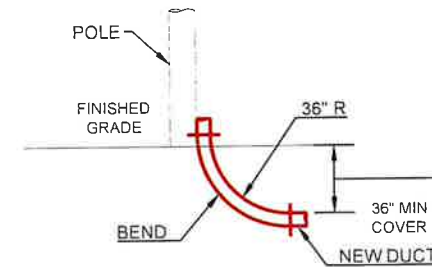
- PLACE END MARKER WITH UTILITY OWNER'S NAME DESCRIBING CONDUIT
- BORE PIT TO BE BACKFILLED AND COMPACTED IN 12" LIFTS WITH MATERIAL REMOVED
- FLOW OF DITCH MUST BE MAINTAINED AT ALL TIMES
- PROTECT ROOTS AT ALL TREE LOCATIONS, SHIFT BORE TRENCH IF NECESSARY

TYPICAL BORE DETAILS 2

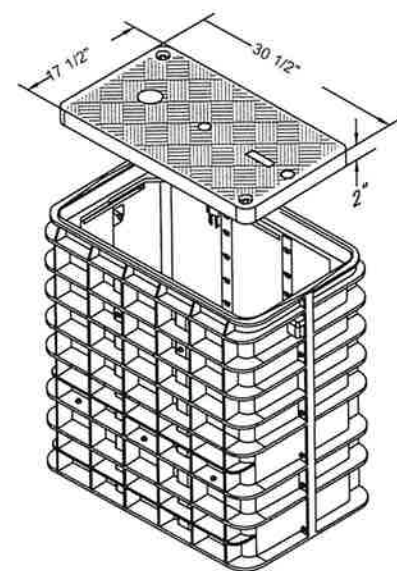
PLAN VIEW



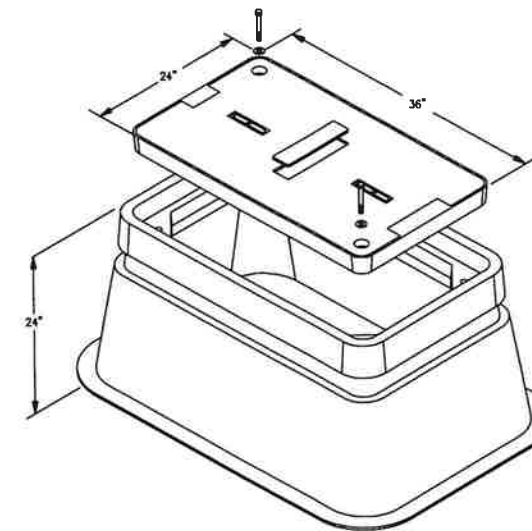
ELEVATION



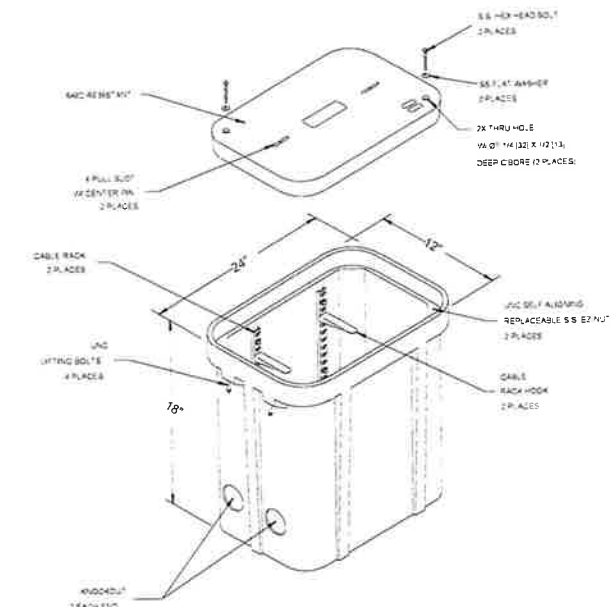
RISER DETAILS



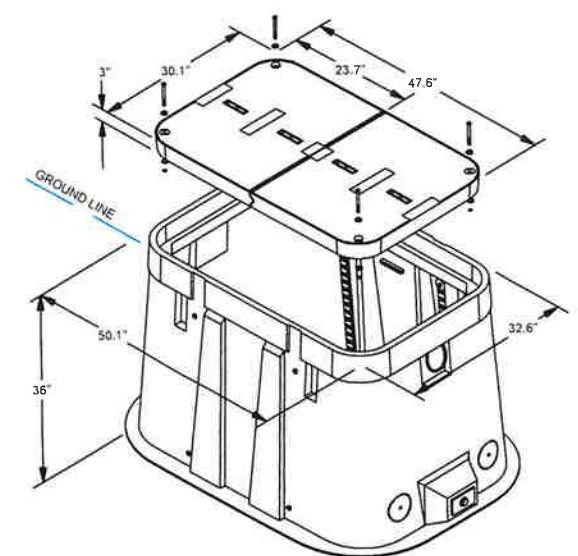
17"x30"x18"
N.T.S.



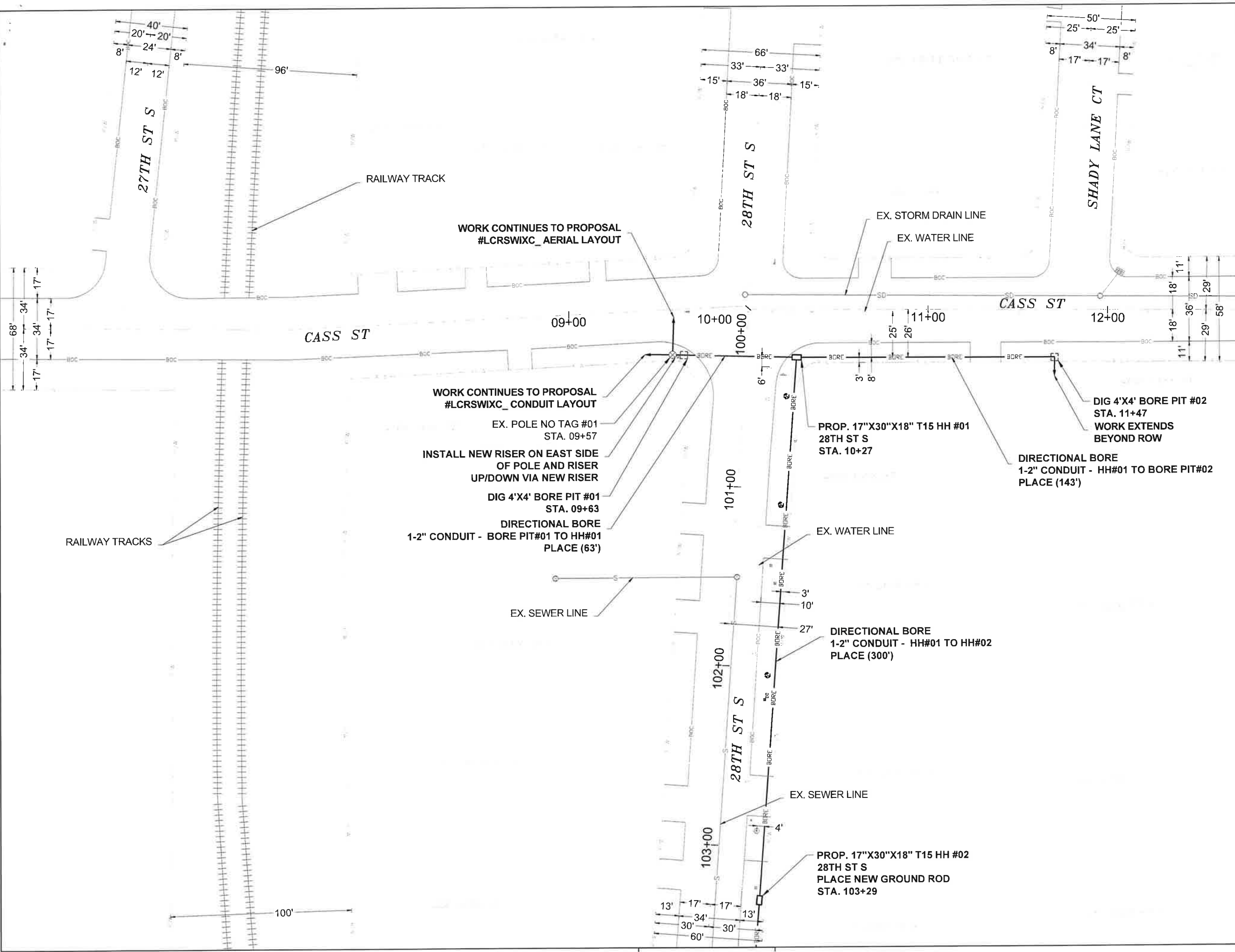
24"x36"x24"
N.T.S.



12"x24"x18"
N.T.S.



30"x48"x36"
N.T.S.

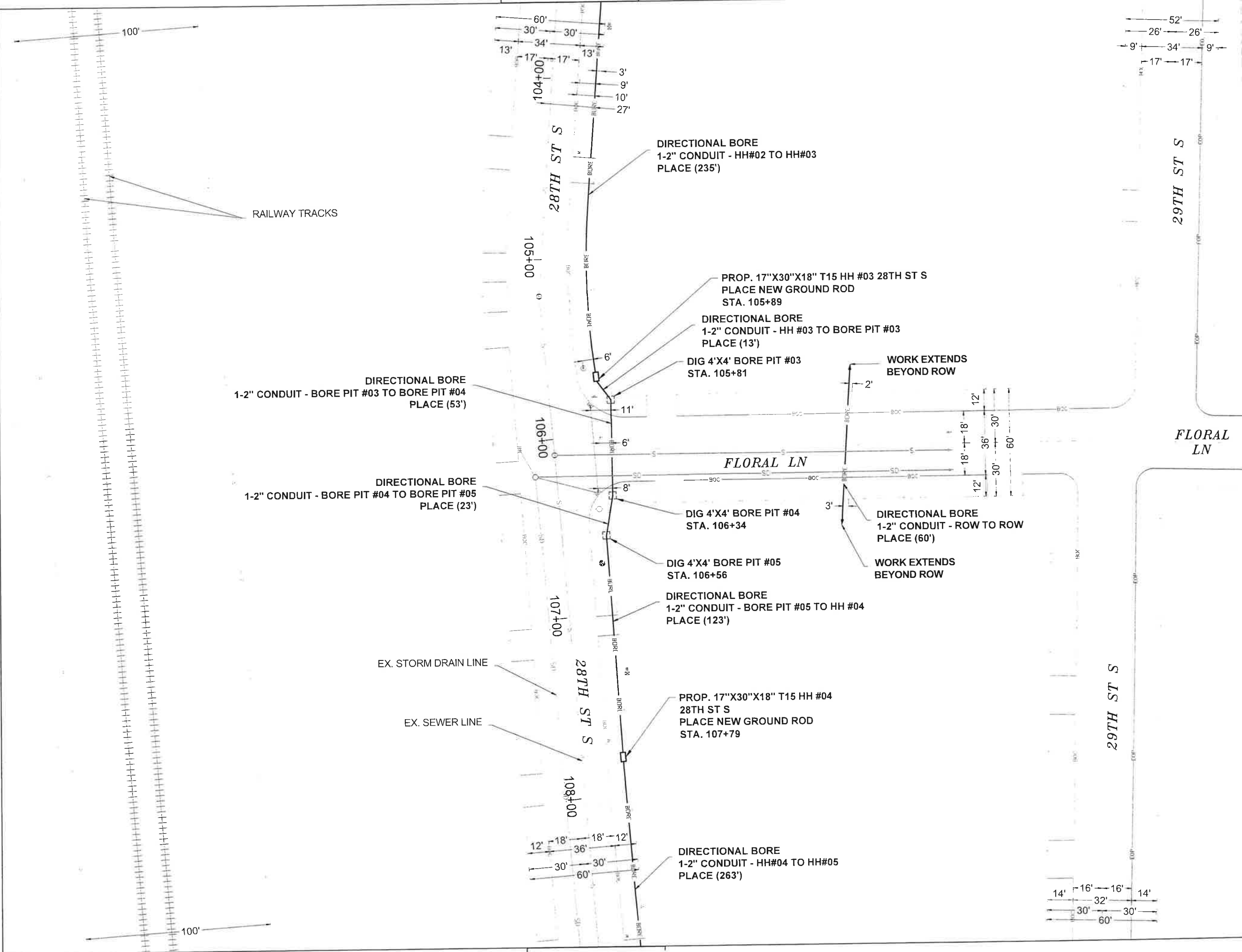


EXCAVATION DATA	
PROPOSED UTILITY	DIRT
(2) BORE PIT 4'X4'	32 SQFT
(2) 17"X30"X18" HH	7.5 SQFT

CALL 811 BEFORE YOU DIG.
 WISCONSIN TOLL FREE
 800-242-8511



CONFIDENTIAL AND PROPRIETARY
 LCRSWIXC

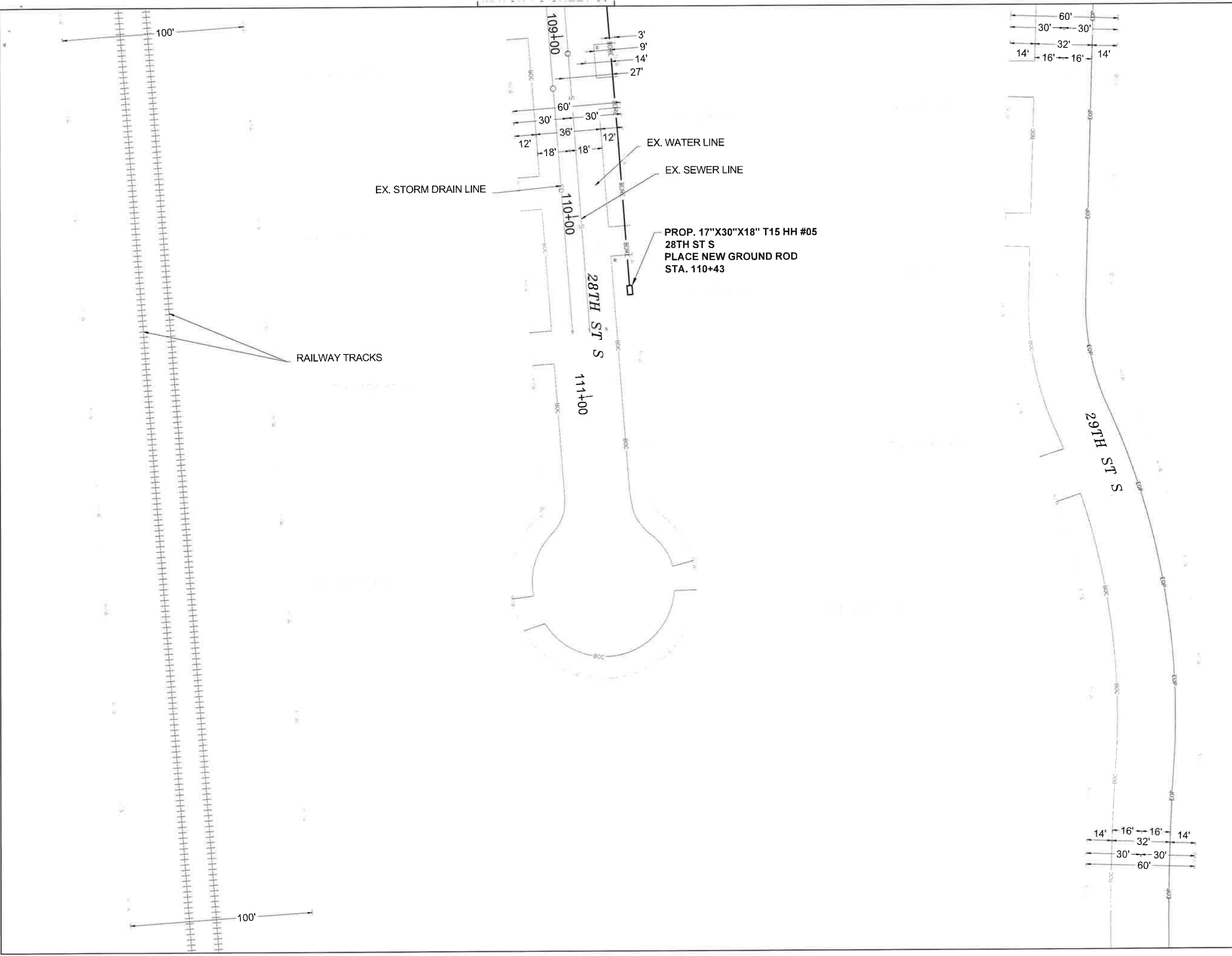


EXCAVATION DATA	
PROPOSED UTILITY	DIRT
(2) 17"x30"x18" HH	3.75 SQFT
(3) BORE PIT 4'X4'	48 SQFT

CALL 811 BEFORE YOU DIG.
 WISCONSIN TOLL FREE
 800-242-8511



CONFIDENTIAL AND PROPRIETARY
 LCRSWIXC



EXCAVATION DATA	
PROPOSED UTILITY	DIRT
(1) 17"X30"X18" HH	3.75 SQFT

CALL 811 BEFORE YOU DIG.
 WISCONSIN TOLL FREE
 800-242-8511



CONFIDENTIAL AND PROPRIETARY
 LCRSWIXC