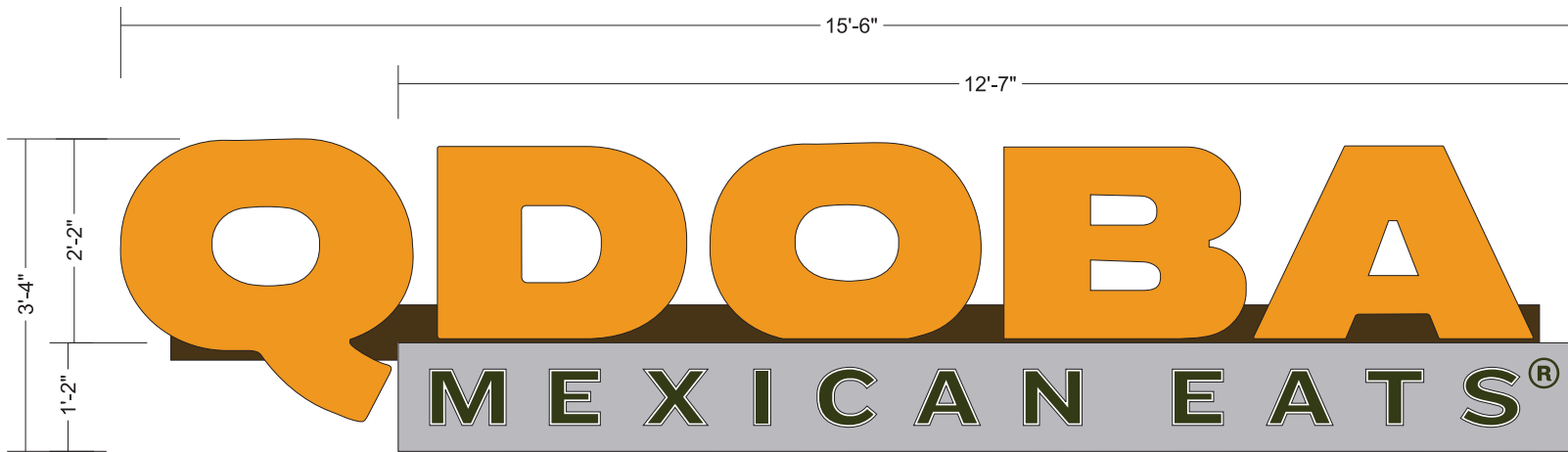


Proposed sign rebranding



Existing signs to be removed





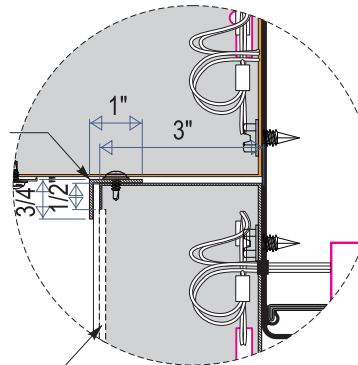
A

Qty 1 set of letters on raceway (West Elevation)
52 sq ft

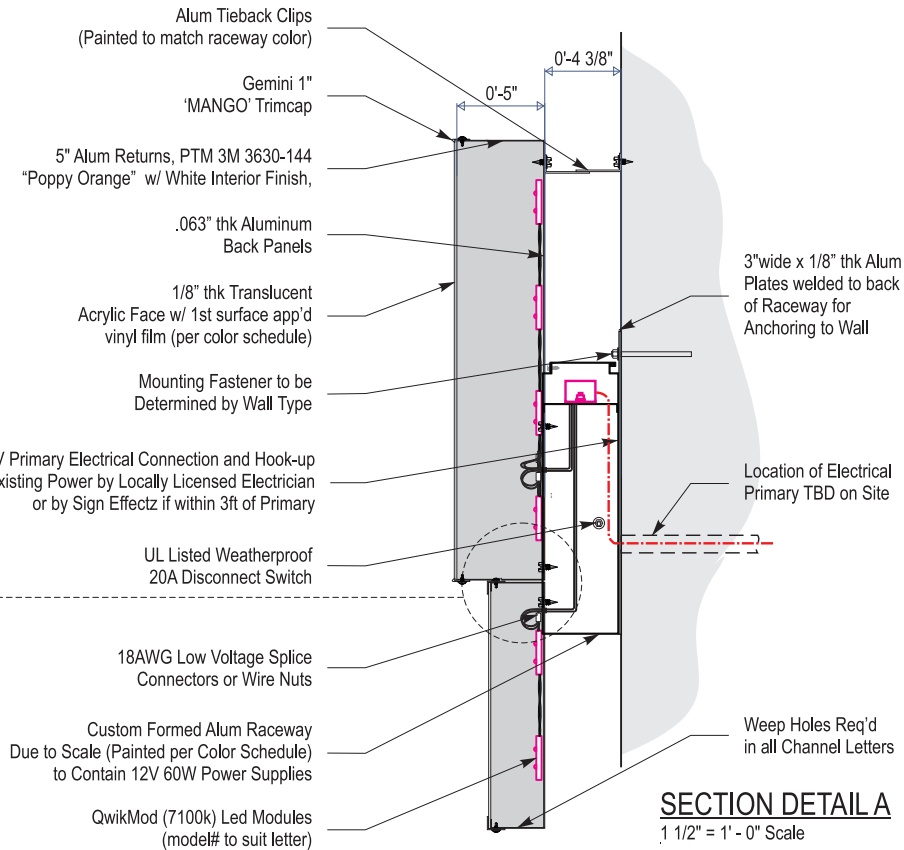
COLOR SCHEDULE:

- MAP Satin Finish PTM Exterior Fascia, Sherwin Williams #7048 "Urbane Bronze"
- MAP Satin 'Brushed Alum' Painted Finish (bottom channel box)
- 3M 7725-120 'Satin Aluminum' Opaque Vinyl Film (bottom channel box)
- 3M Opaque White Blockout Film, MAP Satin Finish, PTM Pantone 5743 C 'Dk Green'
- Formed aluminum angle retainers painted brushed aluminum (bottom channel box)
- MAP Satin Finish, PTM 3M 3630-144 'Poppy Orange' (channel letter returns)
- 3M 3630-144 'Poppy Orange' Translucent Vinyl Film (channel letter faces)
- Gemini 'Mango' Trim Cap (channel letters)

3"d Formed Alum Tagline Box w/ 1/2" Lip, Retainers are 3/4" w/ 1"L Returns which screw Poly Face to Sign. Poly face will have a seam. Weld a Poly flange behind one face at seam.



White Poly Face has Flange at Seam to avoid light leaks



SECTION DETAIL A
1 1/2" = 1' - 0" Scale



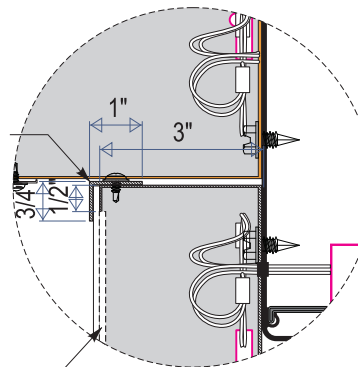
B

Qty 1 set of letters
on raceway
(South Elevation)
18.82 sq ft

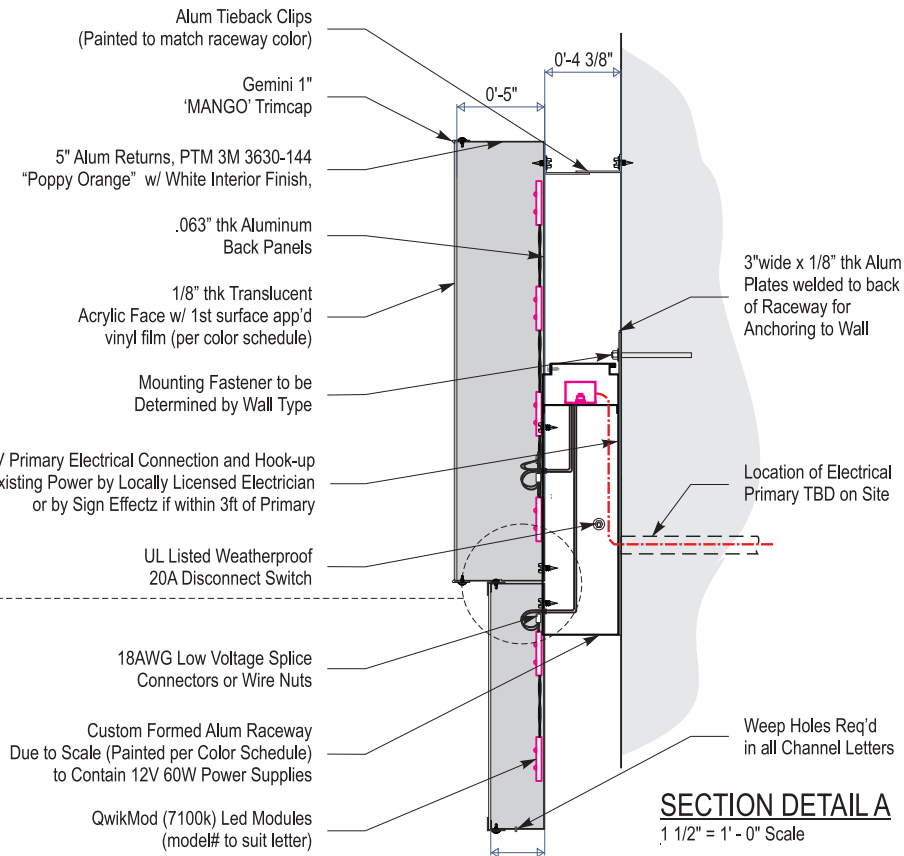
COLOR SCHEDULE:

- MAP Satin Finish PTM Exterior Fascia, Sherwin Williams #7048 "Urbane Bronze"
- MAP Satin 'Brushed Alum' Painted Finish (bottom channel box)
- 3M 7725-120 'Satin Aluminum' Opaque Vinyl Film (bottom channel box)
- 3M Opaque White Blockout Film, MAP Satin Finish, PTM Pantone 5743 C 'Dk Green'
- Formed aluminum angle retainers painted brushed aluminum (bottom channel box)
- MAP Satin Finish, PTM 3M 3630-144 'Poppy Orange' (channel letter returns)
- 3M 3630-144 'Poppy Orange' Translucent Vinyl Film (channel letter faces)
- Gemini 'Mango' Trim Cap (channel letters)

3"d Formed Alum Tagline Box w/ 1/2" Lip, Retainers are 3/4" w/ 1"L Returns which screw Poly Face to Sign. Poly face will have a seam. Weld a Poly flange behind one face at seam.



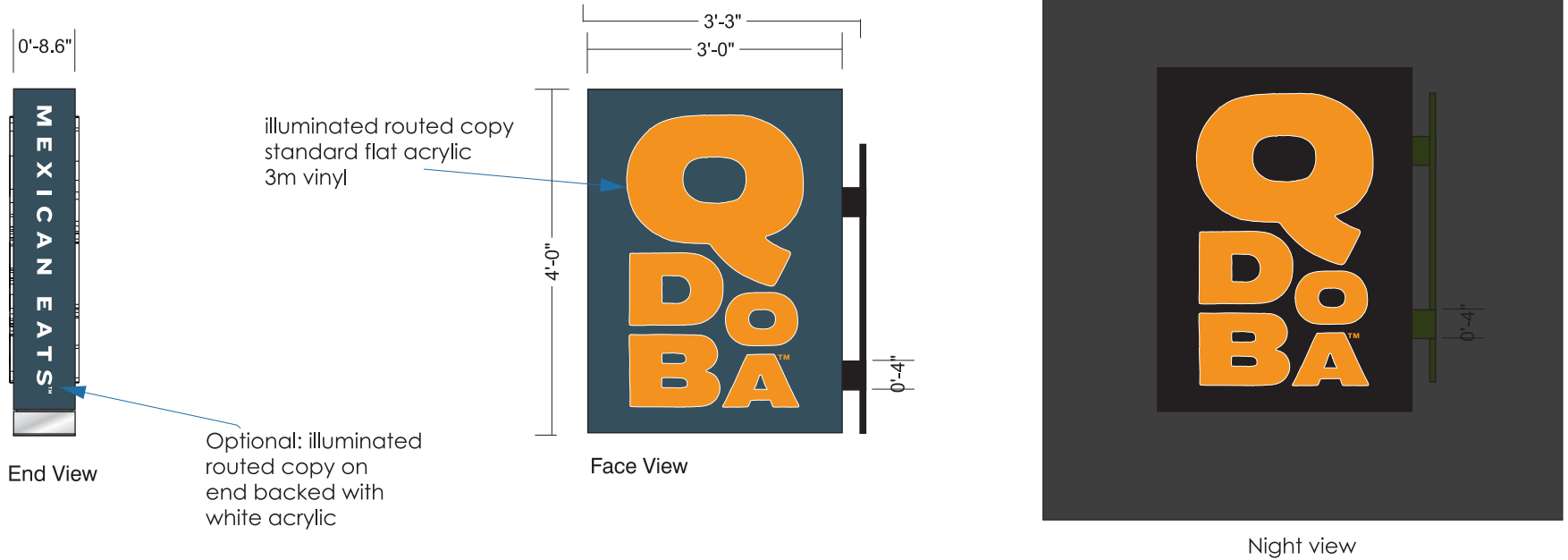
White Poly Face has Flange at Seam to avoid light leaks



SECTION DETAIL A
1 1/2" = 1' - 0" Scale



Projecting sign: illuminated internally with LED



DISCLAIMER:

This is an original design created by Sign Effecttz. The submitted design protected under copyright laws of the United States Code. You agree not to copy, photograph, modify or share directly or indirectly any of the foregoing held by you with any other party, nor will you permit any third party to do any of the foregoing without the written consent of Sign Effecttz.

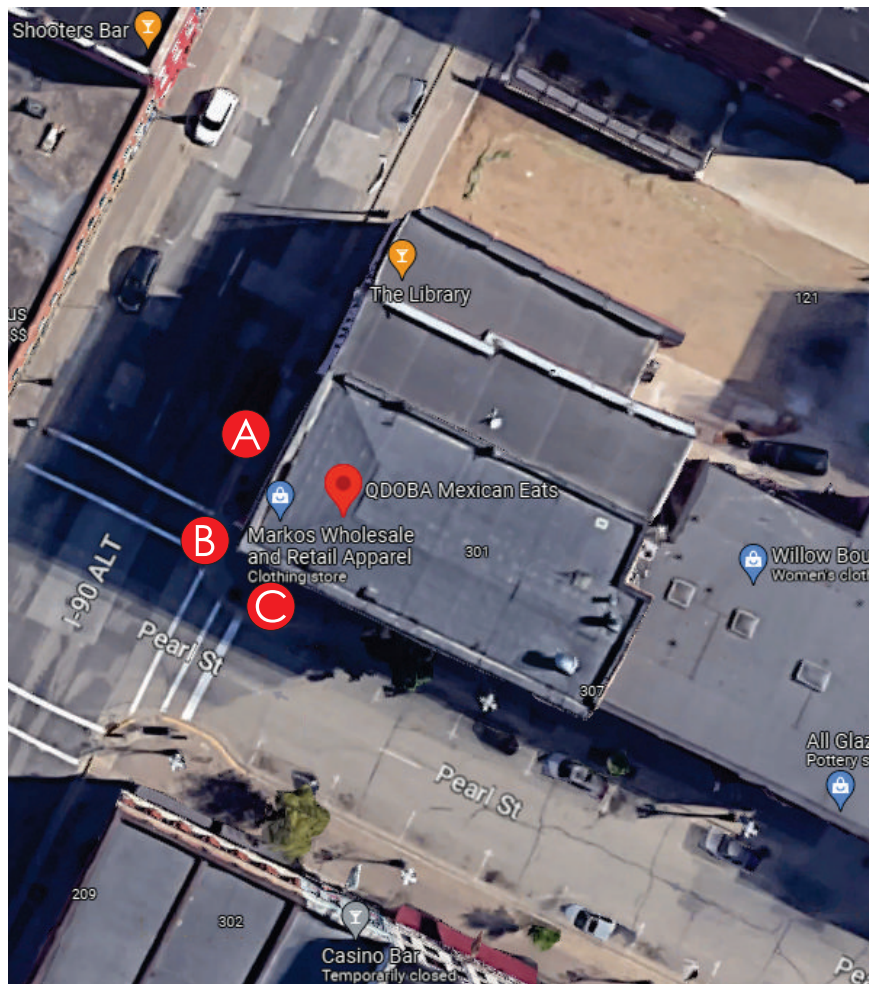
REVISIONS:

Rev	By	Date
Rev A	_____	_____
Rev B	_____	_____
Rev C	_____	_____
Rev D	_____	_____
Rev E	_____	_____
Rev F	_____	_____

DRAWING:

Order #:

Date: 02/22/23
Sales: DLN Drawn by: DLN
Scale: 1/2"=1'



CUSTOMER: Qdoba
127 3rd St S,
La Crosse, WI 54601

Signature: _____ Date: _____

DISCLAIMER:

This is an original design created by Sign Effectz. The submitted design protected under copyright laws of the United States Code. You agree not to copy, photograph, modify or share directly or indirectly any of the foregoing held by you with any other party, nor will you permit any third party to do any of the foregoing without the written consent of Sign Effectz.

REVISIONS:

Rev A	_____	By _____	Date _____
Rev B	_____	By _____	Date _____
Rev C	_____	By _____	Date _____
Rev D	_____	By _____	Date _____
Rev E	_____	By _____	Date _____
Rev F	_____	By _____	Date _____

DRAWING:

Order #: _____

Date: 02/22/23

Sales: DLN Drawn by: DLN

Scale: 1/2"=1'