

Copeland Park

Type DF-1 Drinking Fountain

Used as Free-Standing Drinking Fountain in the Park

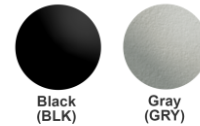
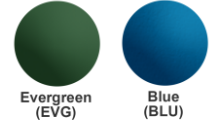
PRODUCT SPECIFICATIONS

Outdoor ezH2O® Upper Bottle Filling Station Tri-Level Pedestal Non-Filtered Non-Refrigerated. Features shall include Heavy Duty Vandal Resistant, Laminar Flow, 300 Series Stainless. Furnished with Vandal Resistant bubbler. Mechanical Button activation. Product shall be Floor Mount/Freestanding, for Outdoor applications, serving 3 station(s).

Special Features:	Heavy Duty Vandal Resistant, Laminar Flow, 300 Series Stainless
Finish:	Black (BK), Blue (BLU), Evergreen (EVG), Gray (GRY)
Power:	No Electrical Required
Bubbler Style:	Vandal Resistant
Activation by:	Mechanical Button
Mounting Type:	Floor Mount/Freestanding
Chilling Capacity:	Non-refrigerated
Dimensions (L x W x H):	14" x 48" x 64"
Approx. Shipping Weight:	215 lbs.
Installation Location**:	Outdoor
No. of Stations Served:	3
**When used in non-temperature controlled environments, unit(s) must be adequately winterized and/or protected from extreme heat to prevent damage where climates dictate.	

Special Note: To meet the full requirements for ADA please choose LK4430BF1L for adult installations and LK4430BF1M for child ADA. Bottle Filler Stations 1 (Upper), Bubbler Stations 2 (Mid-Low), Choose from 4 color options

- Mechanically-Activated unit continues to supply water in event of service disruptions.
- Laminar flow provides clean fill with minimal splash.



Included with Product: Outdoor Bottle Filler Ships in one box.

A Century of Tradition and Quality. For more than 100 years, Elkay has been making innovative products and providing exceptional customer care. We take pride in offering plumbing products that make life easier, inspire change and leave the world a better place.



PRODUCT COMPLIANCE

- ADA & ICC A117.1
- ASME A112.19.3/CSA B45.4
- GreenSpec®
- NSF REG4



Complies with ADA & ICC A117.1 accessibility requirements when installed according to the requirements outlined in these standards. Installation may require additional components and/or construction features to be fully compliant. Consult the local Authority Having Jurisdiction if necessary.

[Installation Instructions \(PDF\) - 1000004246](#)

Warranty pertains to drinking water applications only. Non-drinking water applications are not covered under warranty.

[Warranty \(PDF\)](#)

PART: _____ QTY: _____
 PROJECT: _____
 CONTACT: _____
 DATE: _____
 NOTES: _____
 APPROVAL: _____

In keeping with our policy of continuing product improvement, Elkay reserves the right to change product specifications without notice. Please visit elkay.com for the most current version of Elkay product specification sheets. This specification describes an Elkay product with design, quality, and functional benefits to the user. When making a comparison of other producers' offerings, be certain these features are not overlooked.

Optional Accessories

[97890C](#)

Accessory - Direct Bury Adaptor
[Spec Sheet \(PDF\)](#)



MOUNTING INSTRUCTIONS and PLUMBING CONNECTIONS

Provide solid, well-drained surface to mount pedestal fountain (concrete pad recommended) with adequate support (300 lb. load minimum). (6) 3/8" minimum fasteners (not included) should be attached firmly to mounting surface in order to secure unit. (Refer to rough-in diagram)

OPERATING PRESSURES:
Supply water 20 – 105 psi maximum

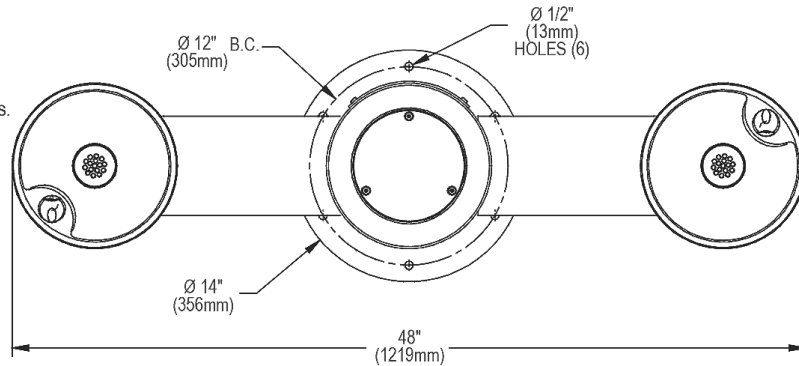
Locate and install plumbing through ground as required.

NOTE: Unit is not furnished with service valve.

Position pedestal over plumbing and secure base to fasteners. Remove access panels and connect supply and water lines. Turn on water supply and check for leaks. Reassemble access panels to pedestal.

Trap and service stop not included.

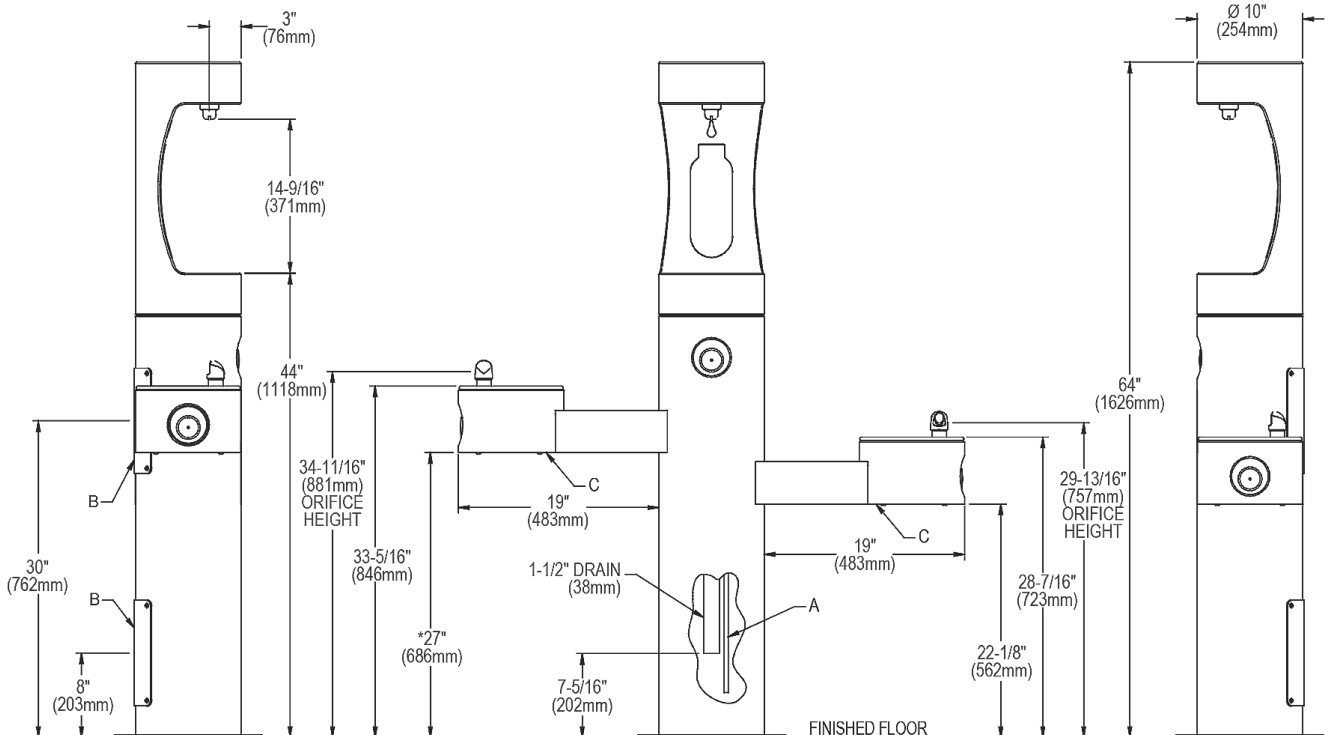
TOP VIEW



FRONT VIEW

SIDE VIEWS

BACK VIEW



A = 3/8" O.D. Unplated copper tube connect. Shut off valve by others.

B = Access panel(8" x 10").

C = Removable bottom cover.

Note : New Installations Must Use Ground Fault Circuit Interrupter (GFCI).

* ADA Requirement

In keeping with our policy of continuing product improvement, Elkay reserves the right to change product specifications without notice. Please visit elkay.com for the most current version of Elkay product specification sheets. This specification describes an Elkay product with design, quality, and functional benefits to the user. When making a comparison of other producers' offerings, be certain these features are not overlooked.

Copeland Park

Type LP1 Lighting Fixture

Used for Parking Area at End of Cul de sac

Project		Catalog #		Type	
Prepared by		Notes		Date	



Lumark

Prevail Discrete LED

Area / Site Luminaire

Product Features



Product Certifications



Interactive Menu

- Ordering Information [page 2](#)
- Mounting Details [page 3, 4](#)
- Optical Configurations [page 5](#)
- Product Specifications [page 5](#)
- Energy and Performance Data [page 6](#)
- Control Options [page 8](#)

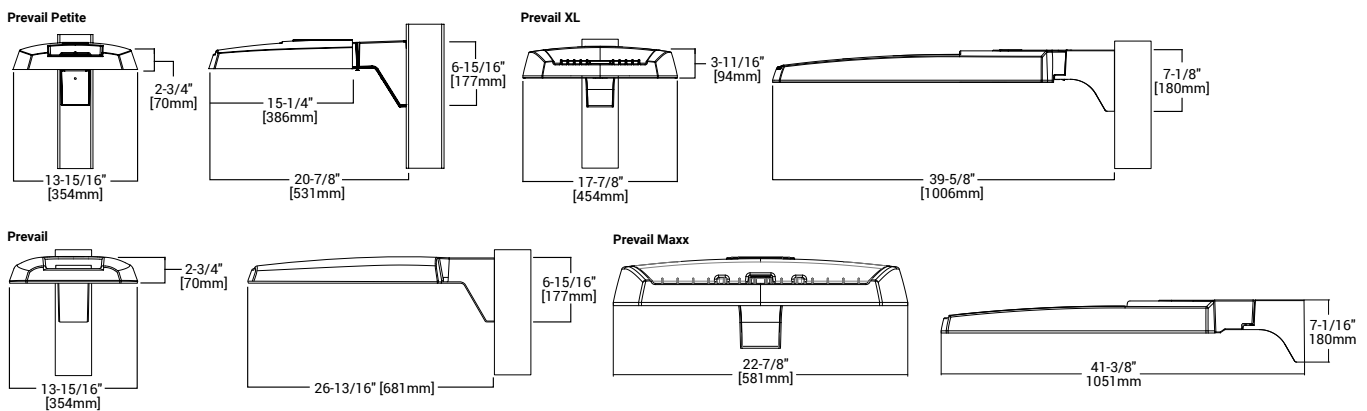
Quick Facts

- Direct-mounted discrete light engine for improved optical uniformity and visual comfort
- Lumen packages range from 4,300 - 68,000 nominal lumens (30W - 550W)
- Replaces 70W up to 1,000W HID equivalents
- Efficacies up to 157 lumens per watt
- Standard universal quick mount arm with universal drill pattern

Connected Systems

- WaveLinx PRO Wireless
- WaveLinx LITE Wireless

Dimensional Details



NOTES:
 1. Visit <https://www.designlights.org/search/> to confirm qualification. Not all product variations are DLC qualified.
 2. IDA Certified for 3000K CCT and warmer only.

Ordering Information

SAMPLE NUMBER: PRV-XL-PA4B-740-U-T4W-BZ

Product Family ^{1,2}	Light Engine		Color Temperature	Voltage	Distribution	Mounting (Included)	Finish
	Configuration	Drive Current ⁴					
PRV-P =Prevail Petite BAA-PRV-P =Prevail Petite BAA Buy American Act Compliant ³ TAA-PRV-P =Prevail Petite TAA Trade Agreements Act Compliant ³ BABAE-PRV-P =Prevail Petite Build America Buy America Act Compliant ³⁰ BABAF-PRV-P =Prevail Petite Build America Buy America Act Compliant ³⁰	PA1 =1 Panel, 24 LED Rectangle	A =400mA Nominal B =700mA Nominal C =950mA Nominal D =1200mA Nominal	740 =70CRI, 4000K 730 =70CRI, 3000K 750 =70CRI, 5000K 8540 =85CRI, 4000K	U =Universal, 120-277V H =High Voltage, 347-480V 1=120V 2=208V 3=240V 4=277V 8=480V ⁵ 9=347V DV =DuraVolt, 277-480V ^{5,6}	T2R =Type II Roadway T2U =Type II Urban T3 =Type III T4W =Type IV Wide 5WQ =Type V Square Wide	SA =QM Standard Versatile Arm MA =QM Mast Arm FMA =Fixed Mast Arm ²⁵ WM =QM Wall Mount Arm ADJA-WM = Adjustable Arm - Wall Mount ²⁸ ADJA =Adjustable Arm - Pole Mount ²⁸ ADJS =Adjustable Arm - Slipfitter, 3" vertical tenon ²⁸ SP2 =Adjustable Arm - Slipfitter, 2 3/8" vertical tenon ^{28, 29}	AP =Grey BZ =Bronze BK =Black DP =Dark Platinum GM =Graphite Metallic WH =White
PRV =Prevail BAA-PRV =Prevail BAA Buy American Act Compliant ³ TAA-PRV =Prevail TAA Trade Agreements Act Compliant ³ BABAE-PRV =Prevail Build America Buy America Act Compliant ³⁰ BABAF-PRV =Prevail Build America Buy America Act Compliant ³⁰	PA1 =1 Panel, 24 LED Rectangle PA2 =2 Panels, 48 LED Rectangles	A =700mA Nominal B =950mA Nominal					
PRV-XL =PRV XL BAA-PRV-XL =Prevail XL BAA Buy American Act Compliant ³ TAA-PRV-XL =Prevail XL TAA Trade Agreements Act Compliant ³ BABAE-PRV-XL =Prevail XL Build America Buy America Act Compliant ³⁰ BABAF-PRV-XL =Prevail XL Build America Buy America Act Compliant ³⁰	PA3 =3 Panels, 72 LED Rectangles PA4 =4 Panels, 96 LED Rectangles	A =750mA Nominal B =950mA Nominal					
PRV-M =Prevail Maxx BAA-PRV-M =Prevail Maxx BAA Buy American Act Compliant ³ TAA-PRV-M =Prevail Maxx TAA Trade Agreements Act Compliant ³ BABAE-PRV-M =Prevail Maxx Build America Buy America Act Compliant ³⁰ BABAF-PRV-M =Prevail Maxx Build America Buy America Act Compliant ³⁰	PA6 = 6 Panels, 144 LED Rectangles	A =600mA Nominal B =800mA Nominal C =1000mA Nominal D =1200mA Nominal					

Options (Add as Suffix)

Accessories (Order Separately) ^{20,21}

10K =10kV UL 1449 Fused Surge Protective Device 20MSP =20kV MOV Surge Protective Device 20K =20kV UL 1449 Fused Surge Protective Device F =Single Fuse (Used with Voltages 120, 277 or 347V) FF =Double Fuse (Used with Voltages 208, 240 or 480V) FADC =Field Adjustable Dimming Controller ²⁹ L90 =Optics Rotated 90° Left R90 =Optics Rotated 90° Right CC =Coastal Construction finish ⁹ HSS =House Side Shield (Factory Installed) ⁷ HA =50°C High Ambient Temperature ⁸ PR =NEMA 3-PIN Twistlock Photocontrol Receptacle ¹⁰ PR7 =NEMA 7-PIN Twistlock Photocontrol Receptacle ¹⁰ MS/DIM-L08 =Motion Sensor for Dimming Operation, Up to 8' Mounting Height ^{11,12,13} MS/DIM-L20 =Motion Sensor for Dimming Operation, 9' - 20' Mounting Height ^{11,12,13} MS/DIM-L40 =Motion Sensor for Dimming Operation, 21' - 40' Mounting Height ^{11,12,13} SPB1 =Motion Sensor for Dimming Operation, BLE Interface, Up to 8' Mounting Height ^{11,14} SPB2 =Motion Sensor for Dimming Operation, BLE Interface, 8' - 20' Mounting Height ^{11,14,26,27} SPB4 =Motion Sensor for Dimming Operation, BLE Interface, 21' - 40' Mounting Height ^{11,14,27}	WPS2XX =Wavelinx Pro, SR Driver, Dimming Motion and Daylight, WAC Programmable, 7' - 15' Mounting Height ^{11,12,15,16} WPS4XX =Wavelinx Pro, SR Driver, Dimming Motion and Daylight, WAC Programmable, 15' - 40' Mounting Height ^{11,12,15,16} WLS2XX =WaveLinX Lite, SR Driver, Dimming Motion and Daylight, Bluetooth Programmable, 7' - 15' Mounting Height ^{11,12,15,16} WLS4XX =WaveLinX Lite, SR Driver, Dimming Motion and Daylight, Bluetooth Programmable, 15' - 40' Mounting Height ^{11,12,15,16}	PRVSA-XX =Standard Arm Mounting Kit ²¹ PRVMA-XX =Mast Arm Mounting Kit ²¹ PRVWM-XX =Wall Mount Kit ²¹ PRV-ADJA-XX =Adjustable Arm - Pole Mount Kit ²¹ PRV-ADJS-XX =Adjustable Arm - Slipfitter Kit ²¹ PRV-ADJA-WM-XX =Adjustable Arm - Wall Mount Kit ²¹ PRVXLSA-XX =Standard Arm Mounting Kit ²⁷ PRVXLSA-XX =Standard Arm Mounting Kit ²⁷ PRVXLM-XX =Mast Arm Mounting Kit ²⁷ PRVXLWM-XX =Wall Mount Kit ²⁷ PRV-XL-ADJA-XX =Adjustable Arm - Pole Mount Kit ²⁷ PRV-XL-ADJA-WM-XX = Adjustable Arm - Wall Mount Kit ²⁷ PRV-XL-ADJS-XX = Adjustable Arm - Slipfitter Kit ²⁷ PRV-M-ADJA-XX =Adjustable Arm - Pole Mount Kit ²⁶ PRV-M-ADJS-XX =Adjustable Arm - Slipfitter Kit ²⁶ PRV-M-ADJA-WM-XX =Adjustable Arm - Wall Mount Kit ²⁶ MA1010-XX =Single Tenon Adapter for 3-1/2" O.D. Tenon MA1011-XX =2@180° Tenon Adapter for 3-1/2" O.D. Tenon	MA1017-XX =Single Tenon Adapter for 2-3/8" O.D. Tenon MA1018-XX =2@180° Tenon Adapter for 2-3/8" O.D. Tenon SR238 =Tenon Adapter from 3" to 2-3/8" PRV/DIS-FDV =Full Drop Visor ²² PRVXL/DIS-FDV =Full Drop Visor ¹⁷ HSS-VP =House Side Shield Kit, Vertical Panel ^{7,23} HSS-HP =House Side Shield Kit, Horizontal Panel ^{7,23} VGS-ARCH = Panel Drop Shield, Short VGL-ARCH = Panel Drop Shield, Long OA/RA1013 =Photocontrol Shorting Cap OA/RA1014 =NEMA Photocontrol - 120V OA/RA1016 =NEMA Photocontrol - Multi-Tap 105-285V OA/RA1201 =NEMA Photocontrol - 347V OA/RA1027 =NEMA Photocontrol - 480V FSIR-100 =Wireless Configuration Tool for Occupancy Sensor ²⁴ WOLC-7P-10A =WaveLinX Outdoor Control Module (7-PIN) ²⁵
--	--	--	---

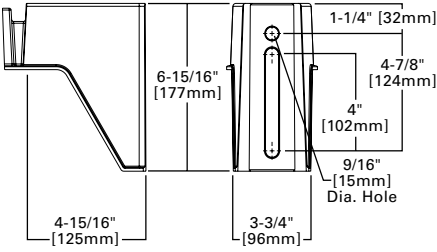
NOTES:

- DesignLights Consortium® Qualified. Refer to www.designlights.org Qualified Products List under Family Models for details.
- Customer is responsible for engineering analysis to confirm pole and fixture compatibility for applications. Refer to installation instructions and pole white paper WP513001EN for additional support information.
- Only product configurations with these designated prefixes are built to be compliant with the Buy American Act of 1933 (BAA) or Trade Agreements Act of 1979 (TAA), respectively. Please refer to [DOMESTIC PREFERENCES](http://www.designlights.org) website for more information. Components shipped separately may be separately analyzed under domestic preference requirements.
- Nominal drive currents shown here. For actual drive current by configuration, refer to Power and Lumens tables.
- 480V not to be used with ungrounded or impedance grounded systems.
- DuraVolt drivers feature added protection from power quality issues such as loss of neutral, transients and voltage fluctuations. Visit www.signify.com/duravolt for more information.
- House Side Shield not for use with 5WQ distribution.
- Not available with PA1D light engine in Petite housing (PRV-P).
- Coastal construction finish salt spray tested to over 5,000-hours per ASTM B117, with a scribe rating of 9 per ASTM D1654.
- If High Voltage (H) or DuraVolt (DV) is specified, use a photocontrol that matches the input voltage used.
- Controls system is not available in combination with a photocontrol receptacle (PR or PR7) or another controls system (MS SPB).
- Option not available with High Voltage (H) or DuraVolt (DV). Must specify Universal (U), 347V (9), or 480V (8) voltage.
- Utilizes the Wattstopper sensor FSP-211. Sensor color white unless specified otherwise via PDR. To field-configure, order FSIR-100 accessory separately.
- Utilizes the Wattstopper sensor FSP-3XX series. Sensor color determined by product finish. See Sensor Color Reference Table. Field-configures via mobile application. See Controls section for details.
- Sensor passive infrared (PIR) may be overly sensitive when operating below -20°C (-4°F).

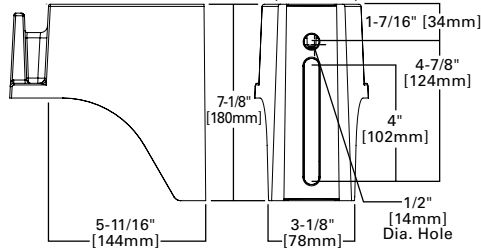
- Replace XX with sensor color (WH, BZ or BK).
- Only available in PRV-XL configurations.
- Not available with High Voltage (H, DV, 8 or 9) or HA options.
- Replace XX with paint color.
- For BAA or TAA requirements, Accessories sold separately will be separately analyzed under domestic preference requirements. Consult factory for further information.
- Not for use with PRV-XL or PRV-M configurations.
- Only for use with PRV. Not applicable to PRV-M, PRV-XL, or PRV-P.
- Must order one per optic/LED when ordering as a field-installable accessory (1, 2, 3, 4, or 6). Refer to House Side Shield reference table for details.
- This tool enables adjustment to Motion Sensor (MS) parameters including high and low modes, sensitivity, time delay, cutoff and more. Consult your lighting representative for more information.
- Requires 7-PIN NEMA twistlock photocontrol receptacle (PR7) option. The WOLC-7 cannot be used in conjunction with other controls systems (MS). Only for use at 120-347V.
- Only available for PRV-M configurations.
- Only for use with PRV-XL.
- Fixed for PRV-M
- Cannot be used with PR7 or other motion response control options.
- Only product configurations with these prefixes are built to be compliant with the Buy American Act of 1933 (BAA) or the Build America Buy America Act (BABA). BABA is the minimum Government compliance requirement for the Build America Buy America standards which is part of the Infrastructure and Investment Jobs Act (IIJA). Individual Government Agencies may have more stringent compliance standards. BABAE designates the product will meet the standards set for FHWA. As noted these projects must receive Government Funding by October 1, 2025. BABAF designates the product will meet the standards set for FHWA and FTA. As noted these projects must receive Government Funding by October 1, 2026. Please refer to the [DOMESTIC PREFERENCES](http://www.designlights.org) website or consult the CLS Domestic Preferences team for more information. Components shipped separately may be separately analyzed under domestic preference requirements.

Mounting Details

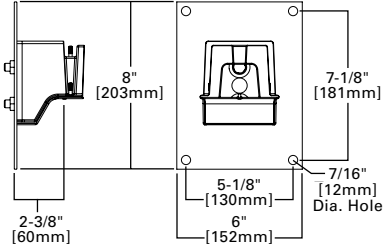
SA=QM Pole Mount Arm (PRV & PRV-P)



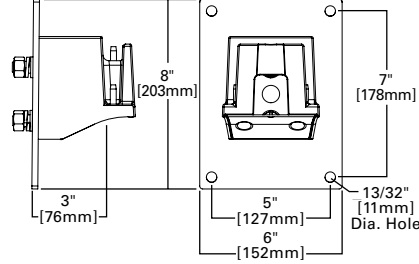
SA=QM Pole Mount Arm (PRV-XL)



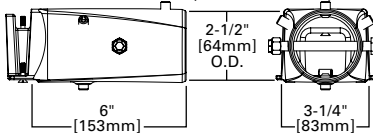
WM=QM Wall Mount Arm (PRV & PRV-P)



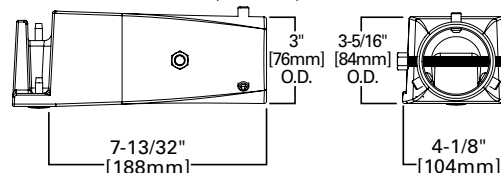
WM=QM Wall Mount Arm (PRV-XL)



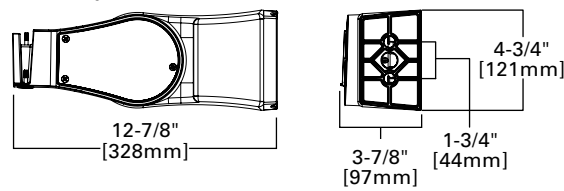
MA=QM Mast Arm (PRV & PRV-P)



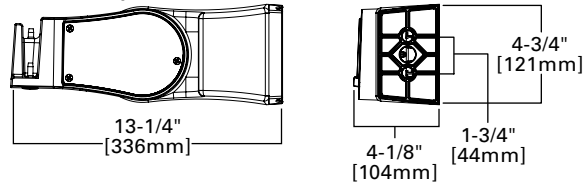
MA=QM Mast Arm (PRV-XL)



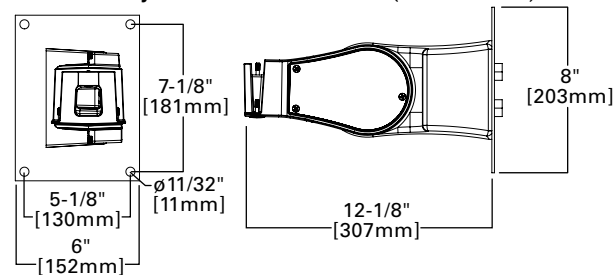
ADJA=Adjustable Arm Pole Mount (PRV & PRV-P)



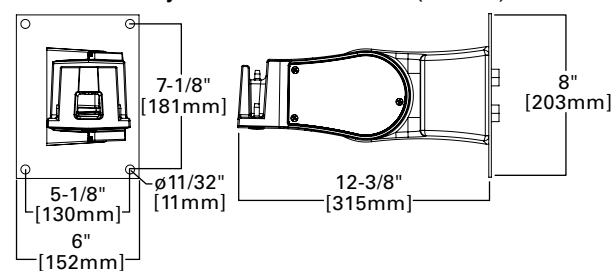
ADJA=Adjustable Arm Pole Mount (PRV-XL)



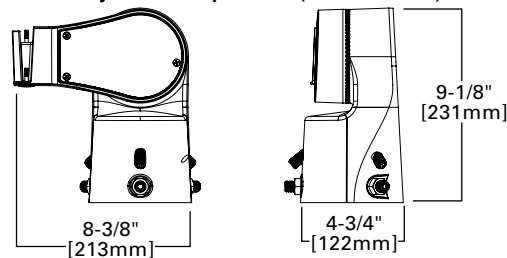
ADJA-WM=Adjustable Arm Wall Mount (PRV & PRV-P)



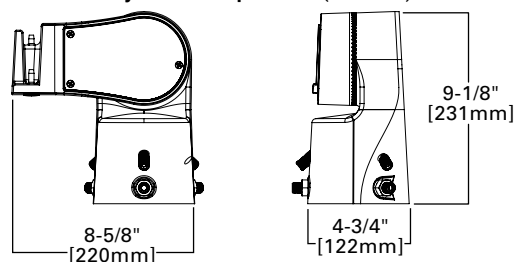
ADJA-WM=Adjustable Arm Wall Mount (PRV-XL)



ADJS=Adjustable Slipfitter 3 (PRV & PRV-P)

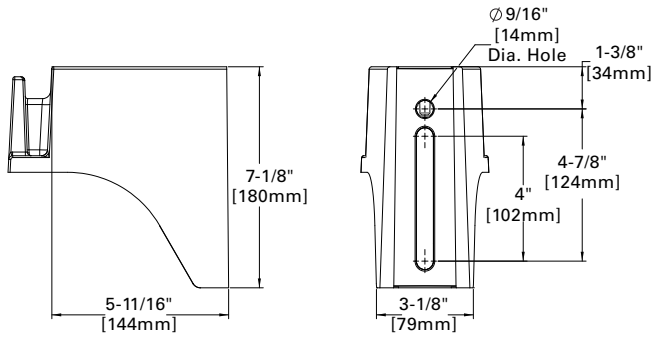


ADJS=Adjustable Slipfitter 3 (PRV-XL)

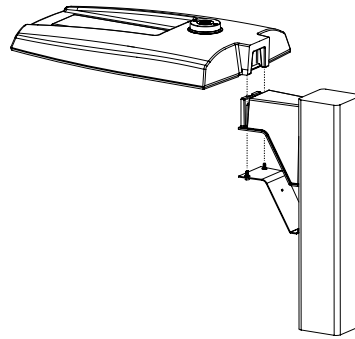


Mounting Details

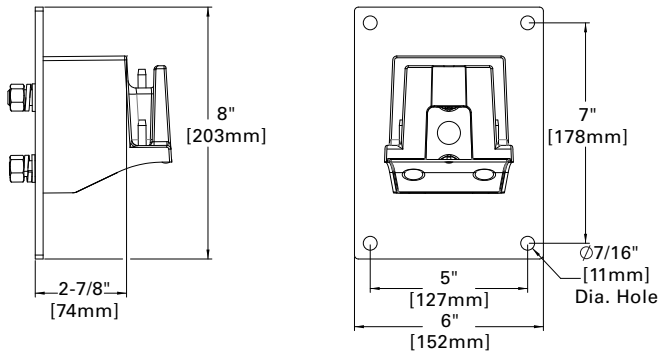
SA=QM Pole Mount Arm (PRV-M)



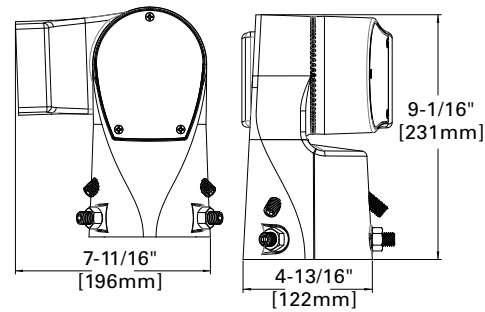
Versatile Mount System



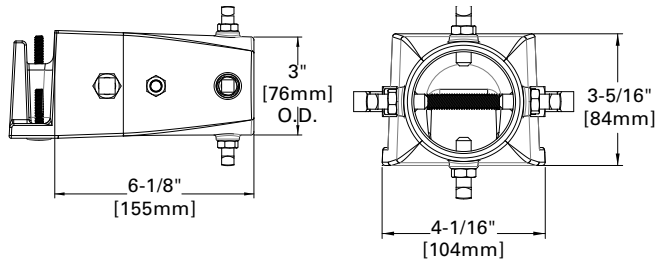
WM=QM Wall Mount Arm (PRV-M)



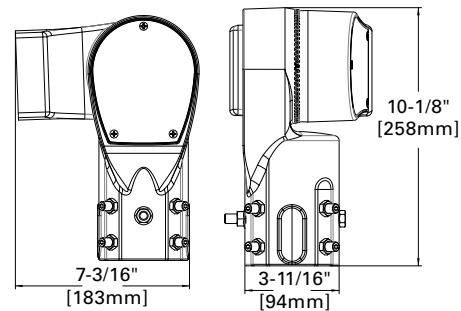
ADJS=Adjustable Slipfitter (PRV-M)



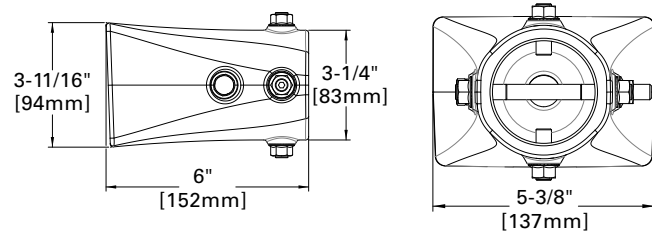
MA=QM Mast Arm (PRV-M)



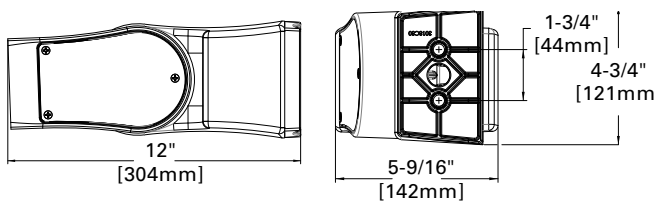
SP2=Adjustable Slipfitter 2-3/8" (PRV-M)



FMA=Fixed Mast Arm (PRV-M)



ADJA=Adjustable Pole Mount Arm (PRV-M)



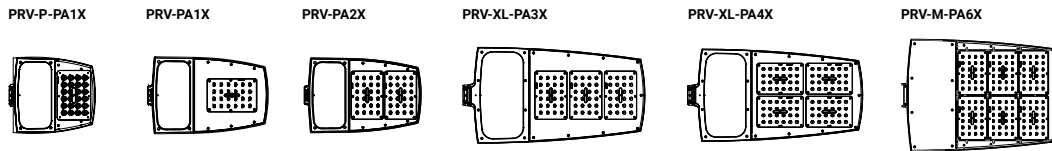
Mounting Details

Mounting Configurations and EPAs

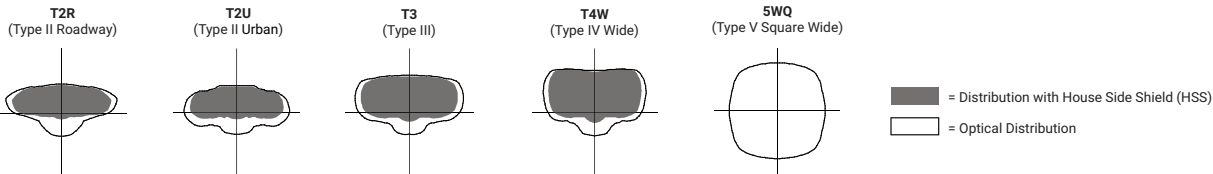
Housing Size	Tilt Angle (Degrees)	Arm Mount Single	Arm Mount 2 @ 180°	Arm Mount 2 @ 90°	Arm Mount 3 @ 90°	Arm Mount 4 @ 90°
Prevail Petite	0°	0.54	1.08	0.84	1.38	1.38
	60°	1.68	1.85	2.42	3.15	3.30
Prevail	0°	0.92	1.35	1.42	1.63	1.63
	60°	2.20	2.40	3.05	3.88	4.07
	60° + Full Drop Visor	2.20	2.40	3.25	4.28	4.47
Prevail XL	0°	1.12	2.25	2.13	2.52	2.52
	60°	3.99	4.30	5.26	6.51	6.79
	60° + Full Drop Visor	3.99	4.30	5.59	7.17	7.49
Prevail Maxx	0°	1.28	2.56	1.7	2.69	2.69
	60°	5.09	5.52	6.34	7.49	7.81

NOTE: For 2 PRV's mounted at 90°, requires minimum 3" square or 4" round pole for fixture clearance. For 2 PRV-XL's mounted at 90°, requires minimum 4" square or round pole for fixture clearance. Customer is responsible for engineering analysis to confirm pole and fixture compatibility for applications

Optical Configurations



Optical Distributions



Product Specifications

Optics

- Precision molded polycarbonate optics

Electrical

- 40°C minimum operating temperature
- 40°C maximum operating temperature
- >.9 power factor
- <20% total harmonic distortion
- Class 1 electronic drivers have expected life of 100,000 hours with <1% failure rate
- 0-10V dimming driver is standard with leads external to the fixture
- Standard MOV surge protective device designed to withstand 10kV of transient line surge

Physical Characteristics

- Single-piece die-cast aluminum housing
- Tethered die-cast aluminum door
- Five-stage super TGIC polyester powder coat paint, 2.5 mil nominal thickness
- Finish is compliant to 3,000 hour salt spray standard (per ASTM B117)
- Versatile, patented, standard mount arm accommodates multiple drill patterns ranging from 1-1/2" to 4-7/8" (Type M drilling recommended for new installations)
- A knock-out on the standard mounting arm enables round pole mounting
- Adjustable pole and wall mount arms adjust in 5° increments from 0° to 60°; Downward facing orientation only (Type N drilling required for ADJA mount)
- Adjustable slipfitter arm adjusts in 5° increments from -5° to 85°; Downward facing orientation only

Controls

- Luminaire available with the field adjustable dimming controller (FADC) to manually adjust wattage and reduce the total lumen output and light levels; Comes pre-set to the highest position at the lumen output selected

Compliance

- DarkSky approved for 3000K CCT and warmer, with mounting options less than 10° of tilt.
- DLC and DLC Premium listed – visit designlights.org to confirm listed variations
- Prevail and Prevail Petite: 3G vibration rated (all arms)
- Prevail XL Mast Arm: 3G vibration rated
- Prevail XL Standard Arm: 1.5G vibration rated
- Adjustable Arms: 1.5G vibration rated
- BAA domestic preference option meets BAA requirements
- Products that meet BABA through Exemption - Allows any product to satisfy BABA requirements regardless of domestic content manufacturing for projects funded by FHWA through Oct 1st 2025. See notes portion in Ordering Information section for more detail.
- Products that meet BABA through BAA Exemption - FHWA and FTA agencies are utilizing their BAA rules for BABA compliance. Cooper's products with a BAA designation are manufactured in the US and utilize a BAA COTS exemption rule for compliance. To verify a configured product with specific accessories and options meet BABA Domestic Preference Requirements; submit this catalog number to Cooper Lighting Quotation team for validation by our Engineering and Manufacturing teams. See notes portion in Ordering Information section for more detail.

- Please refer to the DOMESTIC PREFERENCES website or consult the CLS Domestic Preferences team for more information. Components shipped separately may be separately analyzed under domestic preference requirements.

Typical Applications

- Parking lots
- Walkways
- Roadways
- Building Areas

Shipping Data

- Prevail Petite: 18 lbs. (7.94 kgs.)
- Prevail: 20 lbs. (9.09 kgs.)
- Prevail XL: 45 lbs. (20.41 kgs.)
- Prevail Maxx: 49 lbs. (22.23 kgs.)

Warranty

- Five year limited warranty, consult website for details. www.cooperlighting.com/legal

Energy and Performance Data

Power and Lumens

[View PRV-P IES files](#)

[View PRV IES files](#)

[View PRV-XL IES files](#)

Product Family	Prevail Petite				Prevail				Prevail XL				Prevail Maxx				
Light Engine	PA1A	PA1B	PA1C	PA1D	PA1A	PA1B	PA2A	PA2B	PA3A	PA3B	PA4A	PA4B	PA6A	PA6B	PA6C	PA6D	
Power (Watts)	31	53	72	93	54	74	113	151	172	234	245	303	274	366	457	544	
Drive Current (mA)	375	670	930	1200	670	930	720	970	750	980	785	970	600	800	1000	1200	
Input Current @ 120V (A)	0.26	0.44	0.60	0.78	0.45	0.62	0.93	1.26	1.44	1.95	2.04	2.53	2.30	3.05	3.83	4.54	
Input Current @ 277V (A)	0.12	0.20	0.28	0.35	0.21	0.28	0.41	0.55	0.62	0.85	0.93	1.12	0.99	1.30	1.62	1.94	
Input Current @ 347V (A)	0.10	0.17	0.23	0.29	0.17	0.23	0.33	0.45	0.52	0.70	0.74	0.90	0.78	1.05	1.32	1.60	
Input Current @ 480V (A)	0.07	0.13	0.17	0.22	0.12	0.17	0.24	0.33	0.39	0.52	0.53	0.65	0.58	0.76	0.95	1.14	
Distribution																	
Type II Roadway	4000K/5000K Lumens	4,505	7,362	9,495	11,300	7,605	9,896	15,811	19,745	24,718	30,648	34,067	39,689	41,611	52,596	61,921	67,899
	BUG Rating	B1-U0-G1	B1-U0-G2	B1-U0-G2	B1-U0-G2	B1-U0-G2	B1-U0-G2	B2-U0-G3	B2-U0-G3	B3-U0-G3	B3-U0-G4	B3-U0-G4	B3-U0-G4	B3-U0-G4	B4-U0-G5	B4-U0-G5	B4-U0-G5
	Lumens per Watt	147	139	132	121	141	134	141	131	144	131	139	131	152	144	135	125
	3000K Lumens ¹	4,103	6,705	8,647	10,291	6,926	9,012	14,399	17,982	22,511	27,912	31,025	36,145	37,896	47,900	56,392	61,837
Type II Roadway w/ HSS	4000K/5000K Lumens	3,727	6,091	7,855	9,349	6,006	7,815	12,487	15,594	19,521	24,204	26,094	31,334	32,874	41,553	48,919	53,642
	BUG Rating	B0-U0-G1	B0-U0-G2	B0-U0-G2	B1-U0-G2	B0-U0-G1	B1-U0-G2	B1-U0-G2	B1-U0-G2	B1-U0-G3	B1-U0-G3	B1-U0-G4	B1-U0-G4	B2-U0-G4	B2-U0-G4	B2-U0-G5	B2-U0-G5
	Lumens per Watt	121	115	109	100	111	106	111	103	113	103	107	103	120	114	107	99
	3000K Lumens ¹	3,394	5,547	7,154	8,514	5,470	7,117	11,372	14,201	17,778	22,043	24,502	28,545	29,939	37,843	44,552	48,853
Type II Urban	4000K/5000K Lumens	4,496	7,347	9,476	11,277	7,597	9,886	15,795	19,724	24,692	30,616	34,031	39,647	41,372	52,294	61,565	67,509
	BUG Rating	B1-U0-G1	B2-U0-G2	B2-U0-G2	B3-U0-G3	B2-U0-G2	B3-U0-G3	B3-U0-G3	B3-U0-G3	B4-U0-G4	B4-U0-G4	B4-U0-G4	B4-U0-G4	B4-U0-G4	B5-U0-G5	B5-U0-G5	B5-U0-G5
	Lumens per Watt	146	139	131	121	141	134	141	131	144	131	139	131	151	143	135	124
	3000K Lumens ¹	4,095	6,691	8,630	10,271	6,919	9,003	14,384	17,963	22,488	27,882	30,992	36,107	37,678	47,625	56,068	61,481
Type II Urban w/ HSS	4000K/5000K Lumens	3,253	5,316	6,856	8,160	5,297	6,893	11,013	13,753	17,217	21,347	23,728	27,644	28,951	36,594	43,082	47,241
	BUG Rating	B1-U0-G1	B1-U0-G1	B1-U0-G2	B1-U0-G2	B1-U0-G1	B1-U0-G2	B1-U0-G2	B2-U0-G2	B2-U0-G2	B2-U0-G3	B2-U0-G3	B3-U0-G4	B3-U0-G4	B3-U0-G4	B3-U0-G5	B3-U0-G5
	Lumens per Watt	106	101	95	87	98	93	97	91	100	91	97	91	106	100	94	87
	3000K Lumens ¹	2,963	4,841	6,244	7,431	4,824	6,277	10,029	12,525	15,680	19,441	21,609	25,176	26,366	33,327	39,235	43,023
Type III	4000K/5000K Lumens	4,443	7,261	9,364	11,145	7,575	9,857	15,749	19,667	24,621	30,527	33,932	39,532	41,155	52,020	61,242	67,155
	BUG Rating	B1-U0-G1	B1-U0-G2	B2-U0-G2	B2-U0-G2	B1-U0-G2	B2-U0-G3	B3-U0-G3	B3-U0-G3	B3-U0-G4	B3-U0-G5	B3-U0-G5	B4-U0-G5	B4-U0-G5	B4-U0-G5	B4-U0-G5	B4-U0-G5
	Lumens per Watt	145	138	130	119	140	133	141	130	143	130	138	130	150	142	134	123
	3000K Lumens ¹	4,046	6,612	8,528	10,150	6,899	8,977	14,343	17,911	22,423	27,802	30,903	36,002	37,480	47,375	55,774	61,159
Type III w/ HSS	4000K/5000K Lumens	3,406	5,566	7,179	8,543	5,592	7,277	11,626	14,519	18,176	22,536	25,049	29,183	30,159	38,121	44,879	49,212
	BUG Rating	B0-U0-G1	B1-U0-G2	B1-U0-G2	B1-U0-G2	B1-U0-G2	B1-U0-G2	B1-U0-G2	B1-U0-G3	B2-U0-G4	B2-U0-G4	B2-U0-G4	B2-U0-G5	B2-U0-G5	B3-U0-G5	B3-U0-G5	B3-U0-G5
	Lumens per Watt	111	105	100	91	104	98	103	96	106	96	102	96	110	104	98	90
	3000K Lumens ¹	3,102	5,069	6,538	7,781	5,093	6,627	10,588	13,222	16,553	20,524	22,813	26,578	27,466	34,717	40,872	44,818
Type IV Wide	4000K/5000K Lumens	4,348	7,106	9,164	10,906	7,484	9,738	15,560	19,431	24,325	30,161	33,525	39,057	41,207	52,086	61,320	67,240
	BUG Rating	B1-U0-G2	B2-U0-G2	B2-U0-G2	B2-U0-G3	B2-U0-G2	B2-U0-G3	B3-U0-G3	B3-U0-G4	B3-U0-G4	B3-U0-G5	B3-U0-G5	B4-U0-G5	B4-U0-G5	B4-U0-G5	B4-U0-G5	B4-U0-G5
	Lumens per Watt	142	135	127	117	139	132	139	129	141	129	137	129	151	142	134	124
	3000K Lumens ¹	3,960	6,471	8,346	9,932	6,816	8,869	14,170	17,696	22,153	27,468	30,531	35,570	37,528	47,435	55,845	61,236
Type IV Wide w/ HSS	4000K/5000K Lumens	3,318	5,422	6,993	8,323	5,420	7,053	11,268	14,072	17,617	24,843	24,279	28,286	30,005	37,926	44,650	48,961
	BUG Rating	B0-U0-G1	B1-U0-G2	B1-U0-G2	B1-U0-G2	B1-U0-G2	B1-U0-G2	B1-U0-G3	B1-U0-G3	B1-U0-G4	B2-U0-G4	B2-U0-G4	B2-U0-G5	B2-U0-G5	B3-U0-G5	B3-U0-G5	B3-U0-G5
	Lumens per Watt	108	103	97	89	100	95	100	93	102	106	99	93	110	104	98	90
	3000K Lumens ¹	3,022	4,938	6,369	7,580	4,936	6,423	10,262	12,816	16,044	19,892	22,111	25,760	27,326	34,540	40,664	44,589
Type V Square Wide	4000K/5000K Lumens	4,497	7,349	9,478	11,280	7,831	10,190	16,281	20,332	25,453	31,559	35,079	40,868	42,947	54,285	63,909	70,079
	BUG Rating	B3-U0-G1	B3-U0-G2	B4-U0-G2	B4-U0-G2	B3-U0-G2	B4-U0-G3	B4-U0-G3	B5-U0-G3	B5-U0-G4	B5-U0-G5	B5-U0-G5	B5-U0-G5	B5-U0-G5	B5-U0-G5	B5-U0-G5	B5-U0-G5
	Lumens per Watt	146	139	131	121	145	138	145	135	148	135	143	135	157	143	136	129
	3000K Lumens ¹	4,095	6,693	8,632	10,273	7,132	9,280	14,827	18,517	23,180	28,741	31,947	37,219	39,112	49,438	58,203	63,822

NOTES:
1. For 3000K or HSS BUG Ratings, refer to published IES files

Energy and Performance Data

House Side Shield Reference Table

Product Family		Prevail	Prevail		Prevail XL		Prevail Maxx
Light Engine		PA1	PA1	PA2	PA3	PA4	PA6
Rotated Optics	Standard	HSS-HP (Qty 1)	HSS-VP (Qty 1)	HSS-HP (Qty 2)	HSS-HP (Qty 3)	HSS-VP (Qty 4)	HSS-HP (Qty 6)
	L90 or R90 option	HSS-VP (Qty 1)	HSS-HP (Qty 1)	HSS-VP (Qty 2)	HSS-VP (Qty 3)	HSS-HP (Qty 4)	HSS-VP (Qty 6)

Sensor Color Reference Table (SPBx)

Housing Finish	Sensor Color
AP=Grey	Grey
BZ=Bronze	Bronze
BK=Black	Black
DP=Dark Platinum	Grey
GM=Graphite Metallic	Black
WH=White	White

Lumen Multiplier

Ambient Temperature	Lumen Multiplier
0°C	1.02
10°C	1.01
25°C	1.00
40°C	0.99
50°C	0.97

FADC Settings

FADC Postion	Percent of Typical Lumen Output
1	25%
2	48%
3	55%
4	62%
5	72%
6	77%
7	82%
8	85%
9	90%
10	100%

Note: +/-5% typical value

Lumen Maintenance

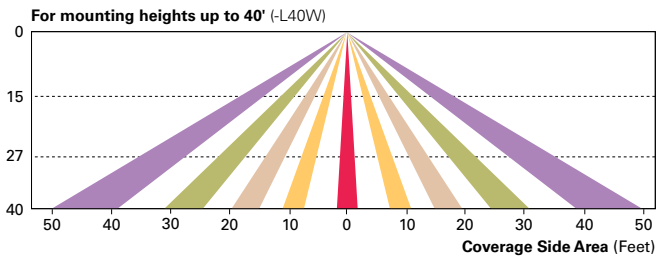
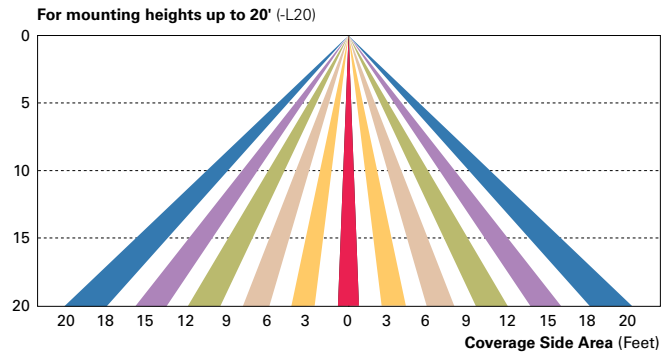
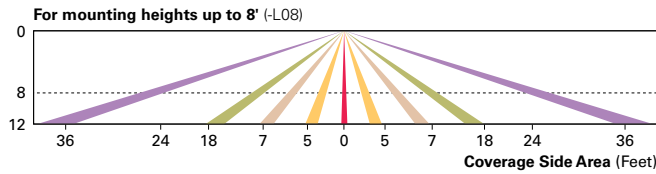
Ambient Temperature	TM-21 Lumen Maintenance (78,000 Hours)	Theoretical L70 (Hours)
Up to 50°C	96.76%	> 896,000

Control Options

0-10V This fixture provides 0-10V dimming wire leads for use with a lighting control panel or other control method.

Photocontrol (PR and PR7) Photocontrol receptacles provide a flexible solution to enable "dusk-to-dawn" lighting by sensing light levels. Advanced control systems compatible with NEMA 7-PIN standards can be utilized with the PR7 receptacle.

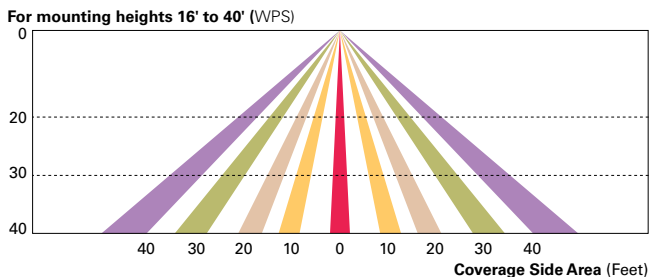
Dimming Occupancy Sensor (SPB, MS/DIM-LXX) These sensors are factory installed in the luminaire housing. When the SPB or MS/DIM sensor options are selected, the luminaire will dim down after five minutes of no activity detected. When activity is detected, the luminaire returns to full light output. These occupancy sensors include an integral photocell for "dusk-to-dawn" control or "daylight harvesting." Factory default is enabled for the MS sensors and disabled for the SPB. SPB motion sensors require the Sensor Configuration mobile application by Wattstopper to change factory default dimming level, time delay, sensitivity and other parameters. Available for iOS and Android devices. The SPB sensor is factory preset to dim down to approximately 10% power with a time delay of five minutes.



WaveLinx Wireless Control and Monitoring System Available in 7-PIN or 4-PIN configurations, the WaveLinx Outdoor control platform operates on a wireless mesh network based on IEEE 802.15.4 standards enabling wireless control of outdoor lighting. At least one Wireless Area Controller (WAC) is required for full functionality and remote communication (including adjustment of any factory pre-sets).

WaveLinx Outdoor Control Module (WOLC-7P-10A) A photocontrol that enables astronomical or time-based schedules to provide ON, OFF and dimming control of fixtures utilizing a 7-PIN receptacle. The out-of-box functionality is ON at dusk and OFF at dawn.

WaveLinx PRO Wireless Sensor (WPS2 and WPS4) These outdoor sensors offer passive infrared (PIR) occupancy sensing and a photocell for closed-loop daylight sensing. These sensors are factory preset to dim down to approximately 50 percent power after 15 minutes of no activity detected, and the photocell for "dusk-to-dawn" control is default enabled. A variety of sensor lenses are available to optimize the coverage pattern for mounting heights from 7'-40'.



Copeland Park

Type PL1 Lighting Fixture

Used for Walkway Lighting through Pedestrian Paths

Project		Catalog #		Type	
Prepared by		Notes		Date	



Invue

ARB Arbor Post Top

Decorative Luminaire

Product Features



Interactive Menu

- Order Information [page 2](#)
- Product Specifications [page 3](#)
- Optical Distributions [page 5](#)
- Control Options [page 7](#)

Product Certifications



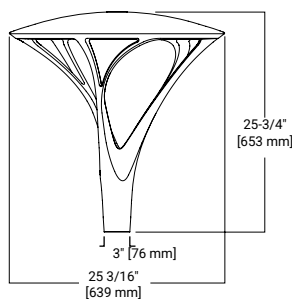
Quick Facts

- Low copper content two piece aluminum housing
- Type II, III and IV asymmetric and type V symmetric NEMA distributions
- Up to 110 LPW
- 4000K @ 70 CRI standard, other options are available
- 3G vibration rated (post top) and 1.5G (single/twin pole accessories)
- Wall mount accessories available

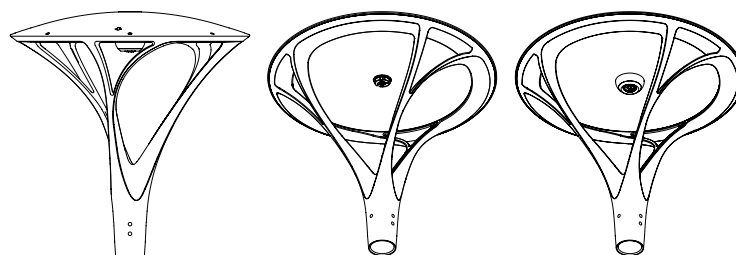
Connected Systems

- WaveLinX PRO Wireless
- WaveLinX LITE Wireless

Dimensional and Mounting Details



Pole Mount



Pole Mount with WaveLinX

Weight: 37 lbs. [16.8 kgs.]

EPA: 0.9 Sq. Ft.

Ordering Information

SAMPLE NUMBER: ARB-B2-LED-D1-T2-GM

Product Family ^{1,2}	Lumens ³	Lamp Type	Voltage	Distribution	Color ⁷
ARB =Arbor Post Top BAA-ARB =Arbor Post Top Buy American Act Compliant ²³ BABAF-ARB =Build America Buy America Act ²⁹	B1 =Nominal 2,300 Lumens B2 =Nominal 4,500 Lumens B3 =Nominal 8,500 Lumens B4 =Nominal 9,500 Lumens ⁴	LED =Solid State Light Emitting Diodes	D1 =Dimming Driver (120-277V) 347 =347V ^{5,6} 480 =480V ^{5,6}	T2 =Type II T3 =Type III T4 =Type IV T5 =Type V	AP =Grey BZ =Bronze BK =Black DP =Dark Platinum GM =Graphite Metallic WH =White
Options (Add as Suffix)			Accessories (Order Separately) ⁸		
7030 =70 CRI / 3000K CCT ⁸ 7035 =70 CRI / 3500K CCT ⁸ 8030 =80 CRI / 3000K CCT ⁸ 8035 =80 CRI / 3500K CCT ⁸ AMB =Amber 590nm ^{11,25} 20MSP =Parallel 20kV MOV Surge Protection Device 20K =Series 20kV UL 1449 Surge Protection Device PC =Button Type Photocontrol PER =NEMA 3-PIN Twistlock Photocontrol Receptacle PER7 =NEMA 7-PIN Twistlock Photocontrol Receptacle HA =50°C High Ambient Temperature ⁹ SPB1 =Dimming Occupancy Sensor with Bluetooth Interface, <8' Mounting ²¹ SPB2 =Dimming Occupancy Sensor with Bluetooth Interface, 8'-20' Mounting ²¹ SPB4 =Dimming Occupancy Sensor with Bluetooth Interface, 21'-40' Mounting ²¹ MS-L08 =Motion Sensor for ON/OFF Operation, Maximum 8' Mounting Height ^{10,11} MS-L20 =Motion Sensor for ON/OFF Operation, 9' - 20' Mounting Height ^{10,11} MS-L40W =Motion Sensor for ON/OFF Operation, 21' - 40' Mounting Height ^{10,11} MS/DIM-L08 =Motion Sensor for Dimming Operation, Maximum 8' Mounting Height ^{10,11} MS/DIM-L20 =Motion Sensor for Dimming Operation, 9' - 20' Mounting Height ^{10,11} MS/DIM-L40W =Motion Sensor for Dimming Operation, 21' - 40' Mounting Height ^{10,11} WLS2XX =WaveLinX LITE, SR Driver, Dimming Motion and Daylight, Bluetooth Programmable, 7' - 15' Mounting WLS4XX =WaveLinX LITE, SR Driver, Dimming Motion and Daylight, Bluetooth Programmable, 15' - 40' Mounting WPS2XX =WaveLinX PRO, SR Driver, Dimming Motion and Daylight, WAC Programmable, 7' - 15' Mounting ^{10,12,13,18,27} WPS4XX =WaveLinX PRO, SR Driver, Dimming Motion and Daylight, WAC Programmable, 15' - 40' Mounting ^{10,12,13,18,27} 5LTD =Fifth Light DALI Driver ^{10,16} DIM =0-10V External Dimming Leads ^{10,17} VS =Tempered Glass Vandal Shield CC =Coastal Construction ²² SPBL2 =FDP-301-L2 (Wattstopper DALI sensor) SPBL4 =FDP-301-L7 (Wattstopper DALI sensor) TH =Toolless hardware F =Single Fuse ²⁶			ARSA-XX =Single Pole Mount Arm ¹⁸ ARWM-XX =Wall Mount Arm ARTA15-XX =Twin Mount Bracket ¹⁸ ARPA4-XX =Pole Adapter 4" O.D. Pole FSIR-100 =Wireless Configuration Tool for Occupancy Sensor ¹⁹ WOLC-7P-10A =Wavelinx Outdoor Control Module (7-PIN) ^{10,20}		

- NOTES:**
- Customer is responsible for engineering analysis to confirm pole and fixture compatibility for all applications. Refer to our white paper WP513001EN for additional information.
 - Fixture sliffts over standard 2-3/8" tenon. 3" O.D. tenon when used with a ARPA4-XX 4" O.D. pole adapter.
 - Standard 4000K CCT, nominal 70CRI.
 - B4 only available with Type V distribution.
 - Requires the use of a step down transformer.
 - Only for use with 480V Wye systems. Per NEC, not for use with ungrounded systems, impedance grounded systems or corner grounded systems (commonly known as Three Phase Three Wire Delta, Three Phase High Leg Delta and Three Phase Corner Grounded Delta systems).
 - Custom and RAL color matching available upon request. Consult your lighting representative for more information.
 - Extended lead times apply. Use dedicated IES files when performing layouts.
 - Not available with B3 lumen package in Type II, III, or IV distributions.
 - Controls system is not available with photocontrol (PC), photocontrol receptacle (PER or PER7), or controls systems MS, LWR, DIM or SPBx.
 - Not available with HA option.
 - Sensor passive infrared (PIR) may be overly sensitive below -20°C (-4°F).
 - For device to be field-configurable, requires WAC Gateway components WAC-POE and WPOE-120 in appropriate quantities. Only compatible with WaveLinX system and software and requires system components to be installed for operation. See website for more WaveLinX application information.
 - Not available on B1 or B4 lumen packages.
 - Not available in B4 lumen package.
 - Low voltage control leads brought 18" outside fixture.
 - Replace XX with paint color.
 - Fits on 3" O.D. x 4" long tenon for nominal 4-1/2" O.D. pole top.
 - This tool enables adjustment to Motion Sensor (MS) parameters including high and low modes, sensitivity, time delay, cutoff and more. Consult your lighting representative for more information.
 - Requires 7-PIN NEMA twistlock photocontrol receptacle (PER7) option. The WOLC-7 cannot be used in conjunction with other controls systems (MS or LWR). Operates on 120-347V input voltages.
 - Smart device with mobile application required to change system defaults. See controls section for details.
 - Coastal construction finish salt spray tested to over 5,000-hours per ASTM B117, with a scribe rating of 9 per ASTM D1654.
 - Only product configurations with this designated prefix are built to be compliant with the Buy American Act of 1933 (BAA). Please refer to [DOMESTIC PREFERENCES](#) website for more information. Components shipped separately may be separately analyzed under domestic preference requirements.
 - Accessories sold separately will be separately analyzed under domestic preference requirements. Consult factory for further information.
 - Narrow-band 590nm +/- 5nm for wildlife and observatory use. Choose Lumen Package B1. See IES files for photometric performance.
 - Must specify voltage (120V, 277V, or 347V) to fuse the single hot leg.
 - Not available with 5LTD option.
 - IDA Certified for 3000K CCT and warmer only
 - Only product configurations with these prefixes are built to be compliant with the Buy American Act of 1933 (BAA) or the Build America Buy America Act (BABA). BABA is the minimum Government compliance requirement for the Build America Buy America standards which is part of the Infrastructure and Investment JobsAct (IIJA). Individual Government Agencies may have more stringent compliancstandards. BABAE designates the product will meet the standards set for FHWA. As noted these projects must receive Government Funding by October 1, 2025. BABAF designates the product will meet the standards set for FHWA and FTA. As noted these projects must receive Government Funding by October 1, 2026. Please refer to the [DOMESTIC PREFERENCES](#) website or consult the CLSDomestic Preferences team for more information. Components shipped separately may be separately analyzed under domestic preference requirements.

ARP ORDERING INFORMATION (ALUMINUM DECORATIVE POLE)

SAMPLE NUMBER: ARP5L310ABZ2

Product Family	Shaft Size (Inches) ¹	Wall Thickness (Inches)	Pole Top Diameter (Inches)	Mounting Height (Feet)	Base Type	Finish	Mounting Type	Number and Location of Arms	Options (Add as Suffix)
ARP = Aluminum Round Tapered Decorative BAA-ARP = Aluminum Round Tapered Decorative Buy American Act Compliant ³⁶	5= 5"	L = 0.156" M = 0.188"	3 = 3" O.D. ² 6 = 4" O.D. ³	10 = 10' 12 = 12' 14 = 14' 16 = 16' 18 = 18' ⁴ 22 = 22' ⁴	A = Aluminum (Round 4-Bolt Pole)	AP = Grey BA = Anodized Bronze BK = Black BZ = Bronze CA = Anodized Clear DA = Anodized Black DP = Dark Platinum GM = Graphite Metallic GN = Hartford Green WH = White	2 = 2-3/8" O.D. Tenon (4" Long) 5 = 3" O.D. Tenon (4" Long)	X = None	C = Convenience Outlet ⁵ E = GFCI Convenience Outlet ⁵ G = Ground Lug V = Vibration Dampener ⁴

NOTES:

- All shaft sizes nominal.
- Provides 3" O.D. pole top suited for Arbor Post Top.
- Provides 4" O.D. pole top suited for LuxeScape post tops.
- Vibration damper recommended over 18 feet add suffix "V" to catalog number.
- Specify outlet location. Receptacle not included, provision only.

Product Specifications

Construction

- Two-piece housing is cast from low copper content corrosion resistant aluminum, maintaining strength and precision to sustain long term dayform appearance
- ANSI C136.31 testing compliance prevents damage from installation generated vibration
- External hardware and casting seams are minimized to enhance appearance

Optics

- Specifically designed for pedestrian applications, WaveStream LED optical waveguide technology produces both symmetric NEMA type V and asymmetric NEMA II, III, IV distributions
- The waveguide is manufactured from precision injection molded acrylic resulting in a pixelation free optical image for improved glare control and visual comfort
- Luminaire efficacy's measure up to 110 lumens per watt for 4000K (+/- 275K) CCT at 70 CRI (min), other CCT and CRI options are available
- Turtle-safe 590nm amber option available

Electrical

- LED driver(s) are directly mounted to upper housing thermal pad for optimal thermal performance
- 0-10V dimming compatibility is standard
- 10kV surge protection is standard
- Drivers operate at 120-277V 50/60Hz with 347V/60Hz or 480V/60Hz operation optional

Controls

- The Arbor LED luminaire control options are designed to be simple and cost-effective ASHRAE and California Title 24 compliant solutions
- The ANSI C136.41 compliant NEMA 7-PIN receptacle enables wireless dimming when used with compatible photocontrol
- See control options page for more details

Mounting

- Fixture is designed to slip-fit over a 2-3/8" tenon and is secured via six concealed stainless steel set screws
- Fixture seamlessly matches a 3" O.D. round pole top
- Utilize the pole mount adapter accessory "ARPA4-XX" to mount to a 3" diameter x 4" long tenon on 4" to 5" O.D. pole tops

Finish

- Premium TGIC based polyester powder coatings are specifically formulated to withstand years of outdoor service
- Finishes are compliant with ASTM B117 3000 hour salt spray standard
- RAL and custom colors are available. Additional charges and lead times apply

Compliance

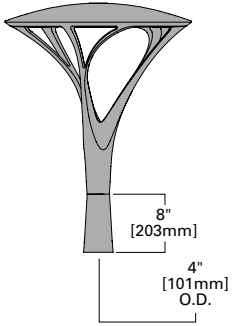
- cULus certified for -40° to 40°C ambient environments, with high ambient options suitable up to 50°C
- IP66 rated
- Domestic preference option available to meet BAA requirements
- FHWA and FTA agencies are utilizing their BAA rules for BABA compliance. Cooper's products with a BAA designation are manufactured in the US and utilize a BAA COTS exemption rule for compliance. To verify a configured product with specific accessories and options meet BABA Domestic Preference Requirements; submit this catalog number to Cooper Lighting Quotation team for validation by our Engineering and Manufacturing teams.
- Please refer to the [DOMESTIC PREFERENCES](#) website or consult the CLS Domestic Preferences team for more information. Components shipped separately may be separately analyzed under domestic preference requirements
- DarkSky approved for 3000K CCT and warmer

Warranty

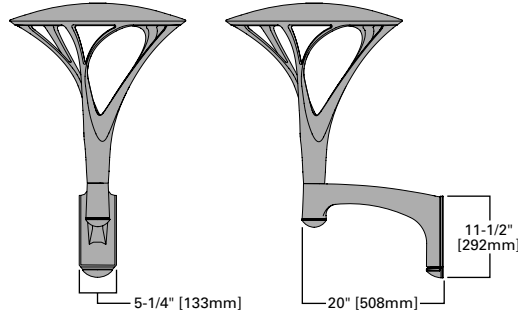
- Five year limited warranty, consult website for details. www.cooperlighting.com/legal

Mounting Configurations (Weight and EPAS includes fixture)

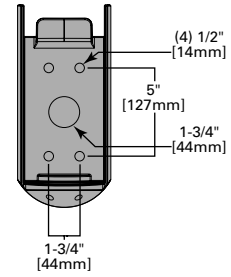
Post Top Adapter (ARPA4-XX)
Weight: 41 lbs. [18.63 Kgs.]
EPA: 1.2 Sq. Ft.



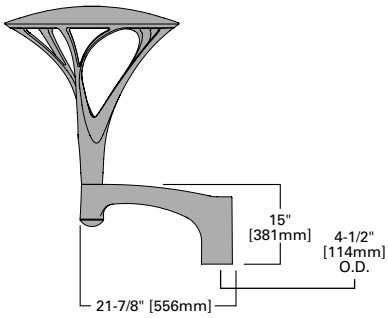
Wall Mount Arm (ARWM-XX)
Weight: 57 lbs. [25.91 Kgs.]
EPA: 1.8 Sq. Ft.



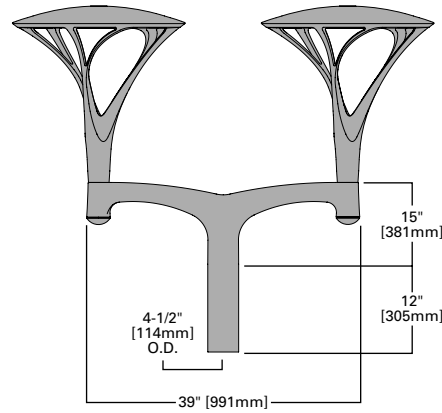
**Wall Mount Arm
 Drill Pattern**



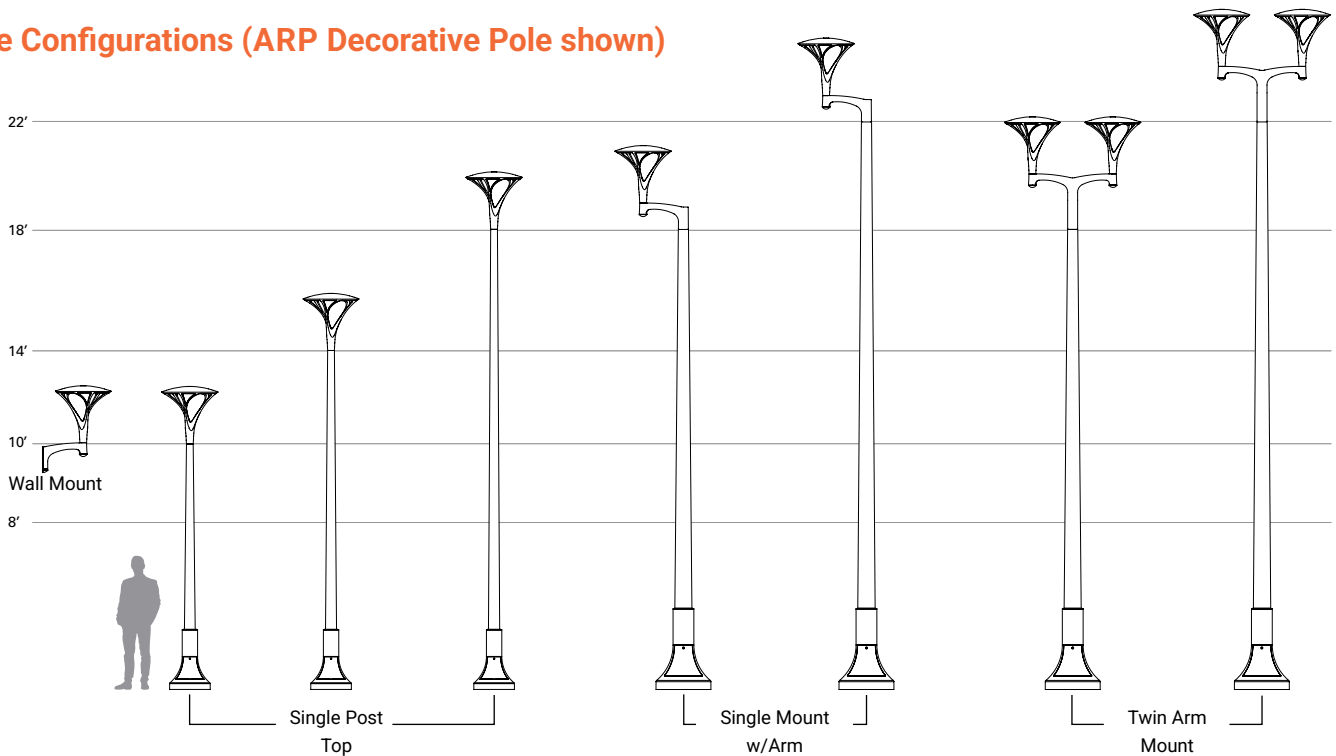
Single Arm Mount (ARSA-XX)
Weight: 56 lbs. [25.45 Kgs.]
EPA: 1.7 Sq. Ft.



Twin Arm Mount (ARTA15-XX)
Weight: 114 lbs. [51.81 Kgs.]
EPA: 3.45 Sq. Ft.



Pole Configurations (ARP Decorative Pole shown)



Optical Distributions

[View IES files](#)

Power and Lumens

Lumen/Distribution	B1	B2	B3	B4	
Power Wattage (Watts)	24W	48W	96W	99W	
Input Current (mA) @ 120V	200	400	800	830	
Input Current (mA) @ 208V	120	240	470	480	
Input Current (mA) @ 240V	100	200	400	420	
Input Current (mA) @ 277V	90	180	350	360	
Power Wattage (Watts)	26W	53W	107W	108W	
Input Current (mA) @ 347V	79	161	325	328	
Input Current (mA) @ 480V	58	117	235	237	
Optics					
Type II	Lumens	2,045	3,994	7,362	-
	BUG Rating	B1-U0-G1	B1-U0-G2	B3-U0-G3	-
Type III	Lumens	2,324	4,534	8,451	-
	BUG Rating	B1-U0-G1	B1-U0-G2	B3-U0-G3	-
Type IV	Lumens	2,408	4,691	8,740	-
	BUG Rating	B1-U0-G1	B1-U0-G2	B3-U0-G3	-
Type V	Lumens	2,311	4,529	8,511	9,464
	BUG Rating	B1-U0-G1	B1-U0-G2	B3-U0-G3	B3-U0-G3

Lumen Multiplier

Ambient Temperature	Lumen Multiplier
0°C	1.02
10°C	1.01
25°C	1.00
40°C	0.99
50°C	0.97

Lumen Maintenance

Ambient Temperature	TM-21 Lumen Maintenance (60,000 Hours)	Calculated L70 (HOURS)
25°C	>94%	>230,000
40°C	>88%	>172,000
50°C	>86%	>142,000

Note: Maintenance data applies to the highest drive current and represents the worst case at the highest wattage.

Color Temperature

Color Temperature (CCT)	CRI (Nominal)	Multiplier
4000	70	1.00
3000	80	0.91

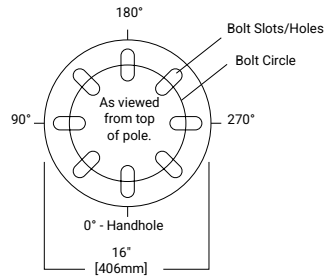
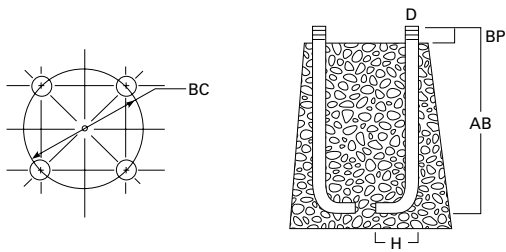
Lumen Multiplier

Lumen Package	Temperature
B1	-40°C
B2	-35°C
B3	-35°C
B4	-40°C
All DALI powered lumen packages	-20°C

Power and Lumens

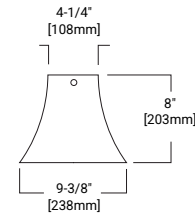
Lumen Package		B1	B2	B3	B4		
7030: 70CRI / 3000K	Type II	Lumens	1893	3994	6815	-	
		Lumens Per Watt	78.9	83.2	68.8	-	
		BUG Rating	B1-U0-G1	B2-U0-G2	B3-U0-G3	-	
	Type III	Lumens	2324	4534	7823	-	
		Lumens Per Watt	96.8	94.5	79.0	-	
		BUG Rating	B1-U0-G1	B1-U0-G2	B2-U0-G3	-	
	Type IV	Lumens	2408	4691	8090	-	
		Lumens Per Watt	100.3	97.7	81.7	-	
		BUG Rating	B1-U0-G1	B1-U0-G2	B2-U0-G3	-	
	Type V	Lumens	2311	4529	7878	8761	
		Lumens Per Watt	110.0	110.5	91.6	91.3	
		BUG Rating	B2-U0-G1	B3-U0-G2	B3-U0-G3	B3-U0-G3	
	8030: 80CRI / 3000K	Type II	Lumens	1708	3336	6149	-
			Lumens Per Watt	71.2	69.5	62.1	-
			BUG Rating	B1-U0-G1	B2-U0-G2	B3-U0-G3	-
Type III		Lumens	1941	3787	7058	-	
		Lumens Per Watt	80.9	78.9	71.3	-	
		BUG Rating	B1-U0-G1	B1-U0-G2	B2-U0-G3	-	
Type IV		Lumens	2011	3918	7300	-	
		Lumens Per Watt	83.8	81.6	73.7	-	
		BUG Rating	B1-U0-G1	B1-U0-G2	B2-U0-G3	-	
Type V		Lumens	1930	3783	7108	7904	
		Lumens Per Watt	91.9	92.3	82.7	82.3	
		BUG Rating	B2-U0-G1	B2-U0-G2	B3-U0-G3	B3-U0-G3	

Anchorage Data



Anchor Base Detail

Access Door



Tenon O.D. (Inches)	Anchor Bolt and Template Package	Shaft Diameter (inches)	Bolt Circle (inches)	Number of Bolts	Bolt Size (inches)	Template Only
Aluminum Round Decorative Pole (ARP)	317AVE30	4 x 5	9	4	3/4 x 17	407040D

Effective Projected Area (At Pole Top)

Mounting Height (Feet)	Catalog Number	Wall Thickness (Inches)	Bolt Circle Diameter (Inches)	Anchor Bolt Projection (Inches)	Shaft Taper (Inches)	Anchor Bolt Diameter x Length x Hook (Inches)	Net Weight (Pounds)	Maximum Effective Projected Area (Square Feet) (1.3 gust factor)			Max. Load (Pounds)
								80 mph	90 mph	100 mph	
MH			BC	BP	B	AB ¹		80 mph	90 mph	100 mph	
10	ARP5L310A	0.156	9.0	3.5	5 X 3	3/4 X 17 X 3	57	20.0	17.5	14.1	120
10	ARP5L610A	0.156	9.0	3.5	5 X 4	3/4 X 17 X 3	57	17.0	13.3	10.7	120
12	ARP5L312A	0.156	9.0	3.5	5 X 3	3/4 X 17 X 3	62	18.2	14.1	11.2	120
12	ARP5L612A	0.156	9.0	3.5	5 X 4	3/4 X 17 X 3	62	14.1	10.9	8.7	120
14	ARP5L314A	0.156	9.0	3.5	5 X 3	3/4 X 17 X 3	67	14.8	11.4	9.0	120
14	ARP5L614A	0.156	9.0	3.5	5 X 4	3/4 X 17 X 3	67	11.7	9.0	7.1	120
16	ARP5L316A	0.156	9.0	3.5	5 X 3	3/4 X 17 X 3	72	12.0	9.1	7.0	120
16	ARP5L616A	0.156	9.0	3.5	5 X 4	3/4 X 17 X 3	72	9.4	7.1	5.6	120
18	ARP5L318A	0.156	9.0	3.5	5 X 3	3/4 X 17 X 3	77	9.5	7.1	5.4	120
18	ARP5L618A	0.156	9.0	3.5	5 X 4	3/4 X 17 X 3	77	7.6	5.6	4.3	120
18	ARP5M618A	0.188	9.0	3.5	5 X 4	3/4 X 17 X 3	83	9.5	7.1	5.6	120

Effective Projected Area (18" Above Pole Top)

Mounting Height (Feet)	Catalog Number	Wall Thickness (Inches)	Bolt Circle Diameter (Inches)	Anchor Bolt Projection (Inches)	Shaft Taper (Inches)	Anchor Bolt Diameter x Length x Hook (Inches)	Net Weight (Pounds)	Maximum Effective Projected Area (Square Feet) (1.3 gust factor)			Max. Load (Pounds)
								80 mph	90 mph	100 mph	
MH			BC	BP	B	AB ¹		80 mph	90 mph	100 mph	
10	ARP5L310A	0.156	9.0	3.5	5 X 3	3/4 X 17 X 3	57	19.6	15.3	12.3	120
10	ARP5L610A	0.156	9.0	3.5	5 X 4	3/4 X 17 X 3	57	17.0	13.3	10.7	120
12	ARP5L312A	0.156	9.0	3.5	5 X 3	3/4 X 17 X 3	62	16.1	12.5	9.9	120
12	ARP5L612A	0.156	9.0	3.5	5 X 4	3/4 X 17 X 3	62	14.1	10.9	8.7	120
14	ARP5L314A	0.156	9.0	3.5	5 X 3	3/4 X 17 X 3	67	13.2	10.1	8.0	120
14	ARP5L614A	0.156	9.0	3.5	5 X 4	3/4 X 17 X 3	67	11.7	9.0	7.1	120
16	ARP5L316A	0.156	9.0	3.5	5 X 3	3/4 X 17 X 3	72	10.6	8.0	6.2	120
16	ARP5L616A	0.156	9.0	3.5	5 X 4	3/4 X 17 X 3	72	9.4	7.1	5.6	120
18	ARP5L318A	0.156	9.0	3.5	5 X 3	3/4 X 17 X 3	77	8.5	6.4	4.8	120
18	ARP5L618A	0.156	9.0	3.5	5 X 4	3/4 X 17 X 3	77	7.6	5.6	4.3	120
18	ARP-5M618A	0.188	9.0	3.5	5 X 4	3/4 X 17 X 3	83	9.5	7.1	5.6	120

Control Options

0-10V (D)

The dimming option provides 0-10V dimming wire leads for use with a lighting control panel or other control method.

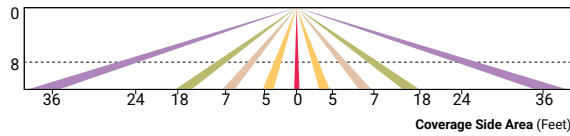
Photocontrol (PER and PER7)

Photocontrol receptacles provide a flexible solution to enable "dusk-to-dawn" lighting by sensing light levels. Advanced control systems compatible with NEMA 7-pin standards can be utilized with the PER7 receptacle.

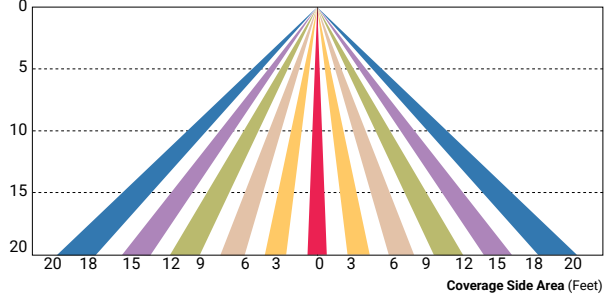
Dimming Occupancy Sensor (SPB, MS/DIM-LXX and MS-LXX)

These sensors are factory installed in the luminaire housing. When the SPB or MS/DIM sensor options are selected, the occupancy sensor is connected to a dimming driver and the entire luminaire dims when there is no activity detected. When activity is detected, the luminaire returns to full light output. The MS/DIM sensor is factory preset to dim down to approximately 50 percent power with a time delay of five minutes. The MS-LXX sensor is factory preset to turn the luminaire off after five minutes of no activity. SPB motion sensors require the Sensor Configuration mobile application by Wattstopper to change factory default dimming level, time delay, sensitivity and other parameters. Available for iOS and Android devices. The SPB sensor is factory preset to dim down to approximately 10% power with a time delay of five minutes. The MS/DIM occupancy sensors require the FSIR-100 programming tool to adjust factory defaults.

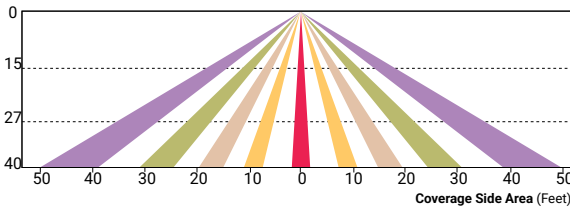
For mounting heights up to 8' (SPB1, -L08)



For mounting heights up to 20' (SPB2, -L20)



For mounting heights up to 40' (SPB4, -L40W)



WaveLinx Wireless Control and Monitoring System

Available in 7-PIN or 4-PIN configurations, the WaveLinx Outdoor control platform operates on a wireless mesh network based on IEEE 802.15.4 standards enabling wireless control of outdoor lighting. Use the WaveLinx Mobile application for set-up and configuration. At least one Wireless Area Controller (WAC) is required for full functionality and remote communication (including adjustment of any factory pre-sets).

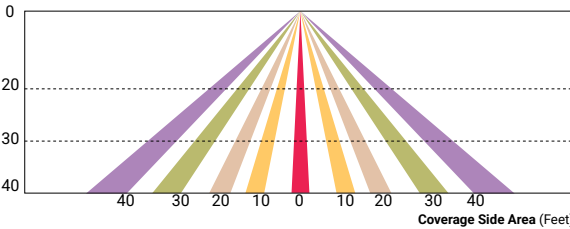
WaveLinx Outdoor Control Module (WOLC-7P-10A)

A photocontrol that enables astronomical or time-based schedules to provide ON, OFF and dimming control of fixtures utilizing a 7-PIN receptacle. The out-of-box functionality is ON at dusk and OFF at dawn.

WaveLinx Wireless Sensor (WPS2 and WPS4)

These outdoor sensors offer passive infrared (PIR) occupancy and a photocell for closed loop daylight sensing. These sensors are factory preset to dim down to approximately 50 percent power after 15 minutes of no activity detected. These occupancy sensors include an integral photocell for "dusk-to-dawn" control or daylight harvesting that is factory-enabled. A variety of sensor lenses are available to optimize the coverage pattern for mounting heights from 7'-40'.

For mounting heights up to 16' to 40' (WPS)



Copeland Park
Type VS Lighting Fixture
Used for North Pavilion Shelter Lighting

Project		Catalog #		Type	
Prepared by		Notes		Date	



Fail-Safe

HVSL4

Vandal Resistant / High Abuse
4" Wide Steel Housing, Surface Mount
Opal Polycarbonate Lens

Typical Applications

Stairwells • Schools • Hospitals • Corridors • Dormitories • Public Restrooms
• Common Areas • Transit Stations • Public Spaces • Locker Rooms •
Maintenance Facilities • Mezzanines • Canopies

Interactive Menu

- Order Information [page 2](#)
- Product Specifications [page 3](#)
- Nominal Input Watts/Delivered Lumens [page 5](#)
- Product Warranty

Top Product Features

- Steel, aluminum, or stainless steel housing and end plates
- High impact opal polycarbonate lens. Lifetime lens warranty.
- 4" nominal width
- 1', 2', 3', 4', and 8' lengths
- Continuous row utilizing end KOs
- Pendant mount available
- Integral or external occupancy sensor, mounted to end mount box
- Options to meet Build America, Buy America and Buy American domestic preference requirements
- 10-Day Quick Spec available. Ships within 10 days of receipt of PO

Product Certification



Product Features

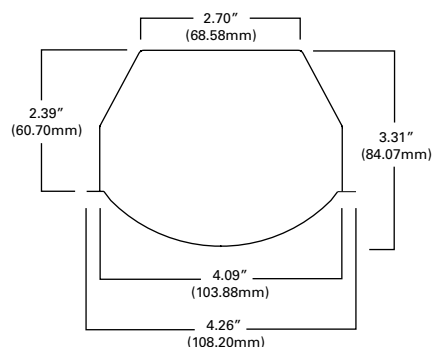


IALDLIRC



16 Architectural Colors
See pages 2 and 3 for details

Dimensional and Mounting Details



[additional product diagrams](#)

Order Information

SAMPLE NUMBER: **HVSL4-2-LD4-1HI-40-UNV-O-EDC1**

SAMPLE NUMBER: **HVSL4-4-LD4-2STD-40-UNV-O-EDD1**

10-DAY QUICK SPEC SAMPLE NUMBER: **QS-HVSL4-4-LD4-2STD-35-UNV-O-EDC1**

Gray bar denotes available with 10-Day Quick Spec

Domestic Preferences ⁽¹⁾	Product Family	Length	LED Type	Number of LED Modules	Illumination Level	Color Temperature	Voltage	Lens Type
[Blank] =Standard BAA =Buy American Act BABA =Build America Buy America Act	HVSL4 =4" Wide HVSL Linear Steel QS-HVSL4 =4" Wide HVSL Linear Steel, Quick Spec ⁽²⁾	1=1' Length ^{(4),(5)} 2=2' Length ⁽⁴⁾ 3=3' Length 4=4' Length 8=8' Length ⁽³⁾	LD4 =LED, Version 4.0	1=(1) LED Module in Cross Section 2=(2) LED Modules in Cross Section	LO =Low STD =Standard HI =High	30=3000K Kelvin 35=3500K Kelvin 40=4000K Kelvin 50=5000K Kelvin	UNV =120V-277V	O =Opal Polycarbonate
Notes (1) Only product configurations with these prefixes are built to be compliant with the Buy American Act of 1933 (BAA) or the Build America Buy America Act (BABA). BABA is the minimum Government compliance requirement for the Build America Buy America standards which is part of the Infrastructure and Investment Jobs Act (IIJA). Individual Government Agencies may have more stringent compliance standards. Please refer to DOMESTIC PREFERENCES website or consult the CLS Domestic Preferences team for more information. Components shipped separately may be separately analyzed under domestic preference requirements.	Notes (2) 10 day ship date, from date of receipt of clean PO to ship date. 25 unit maximum per PO. QS is only available in the shaded options. The EL14W with QS is available only in 4ft length, 1STD or 1HI.	Notes (3) 8 ft. unit consists of two 4 ft. housings joined together at the factory with single 8 ft. lens. (4) No center KO. (5) 1ft. fixture, single circuit only.						

Driver	Options	Finish
EDC1 =Single Circuit, Non-Dimming ⁽⁶⁾ EDC2 =Dual Circuit, Non-Dimming ⁽⁶⁾ EDD1 =Single Circuit, 0-10V 10% Dimming ⁽⁶⁾ EDD2 =Dual Circuit, 0-10V 10% Dimming ⁽⁶⁾ ED1D1 =Single Circuit, 0-10V 1% Dimming ⁽⁶⁾ ED1D2 =Dual Circuit, 0-10V 10% Dimming ⁽⁶⁾	OSE1 =Occupancy Sensor Mounted in End External Box, Connected to One LED Module (box attached to end plate) (FS305) ^{(8),(10),(13)} OSE2 =Occupancy Sensor Mounted in End External Box, Connected to Two LED Modules (box attached to end plate) (FS305) ^{(8),(10),(13)} OSE1S =Occupancy Sensor Mounted in Side External Box, Connected to One LED Module (FS305) ^{(8),(10),(13)} OSE2S =Occupancy Sensor Mounted in Side External Box, Connected to Two LED Modules (FS305) ^{(8),(10),(13)} EL7W =7W Emergency Pack ⁽⁷⁾ EL10W =10W Emergency Pack ⁽⁹⁾ EL14W =14W Emergency Pack ⁽⁹⁾ SF1 =TORX® T20 Tamper Proof side screws SF3 =Allen-head center pin reject Tamper Proof side screws SHP =Stainless Steel Painted Housing SHPA =Stainless Steel Painted, all Fabricated Components ALH =Aluminum Painted Housing ALHA =Aluminum Painted, all Fabricated Components GSKLNS =Gasket to Lens - Side and Ends ⁽¹²⁾ WL =Wet Location Under Covered Ceiling PMSC =Pendant Mount, Stem/Canopy using standard knockouts in back of housing, (4' & 8' length only) - damp location rated only, (no wet location) ^{(7),(9),(11)} PMY =Pendant Mount, AYC Chain or Y-Toggle, uses (4) 0.187" x 0.937" holes, (2) each end, (4' & 8' length only) - damp location rated only, (no wet location) ^{(7),(9),(11)} AM =Anti-microbial matte white paint FSS =Flush side screws (secure lens, non-tamper resistant stainless-steel screws) FSSTP =Flush side screws (secure lens, tamper resistant stainless-steel screws) 90 =90CRI	Standard Colors [Blank] =Matte White AM =Antimicrobial Matte White GW =Gloss White DP =Dark Platinum, Satin Finish BK =Black, Satin Finish BZ =Bronze Architectural Colors TCB =Terra Cotta Brick MRR =Merlot Red PMK =Pumpkin GLD =Goldenrod SGG =Sage Green EVG =Evergreen CBL =Coastal Blue NTB =Night Blue UMB =Ultramarine Blue PPV =Purple Violet NTN =Neutral Tan DBG =Dark Beige CRM =Cream SLG =Silver Grey OLG =Olive Green MHB =Mahogany Brown RALxxxx =RAL Number Color ⁽¹⁴⁾
Notes (6) Purple and gray low voltage driver leads connected to driver for EDD1, EDD2. Not connected for EDC1, EDC2.	Notes (7) EL7W option is not available in the 1' or 2' lengths. EL7W is available in 3' & 4' lengths with 1L0, 1STD, 1HI, & 2L0, but not available in 2STD or 2HI. 2STD w/EL or 2HI w/EL are only available in 8' length. EL7W is available with PMSC or PMY options. (8) Specify voltage either 120 or 277. (9) EL10W & EL14W are only available in the 4' & 8' lengths. The 4' length w/EL is available with 1L0, 1STD, 1HI, & 2L0, but not available in 2STD or 2HI. 2STD w/EL or 2HI w/EL is only available in the 8' length. EL10W & EL14W are not available with PMSC or PMY. (10) Not available 1' length, or other lengths with either EM or dual circuit. (11) Does not include stem, chain, or y-toggle. (12) GSKLNS option is standard with WL option so it is not needed in catalog logic. (13) External occupancy sensor (OSE) is damp location listed only.	Notes (14) Replace XXXX with unique 4 digit RAL number. Please contact Fail-Safe Tech for a list of additional finish swatches.

Accessories (Order Separately) ⁽¹⁵⁾

VRSD=T20 Center Pin Tamperproof TORX®-head bit

SCF-XX-B=Fixed Stem Set

XX=Length (6, 8, 12, 24, 36, 48, 60, 72)

Used with all surface fixtures as stem sets. One set consists of one stem assembly. Minimum of two sets required per fixture. Not rated WL under covered ceiling.

HVSL4-X-CM/BKT=HVSL4 Corner Mount bracket, specify length (X=length=1, 2, 3, 4, 8)

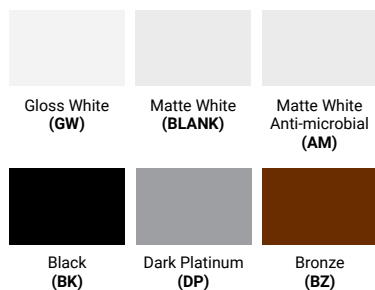
HVSL4-CRNR/CONN=Corner Connector, 90 degree.

HVSL4-X-WMAB45=Wall Mount angle bracket, 45 degree, specify length (X=length=1, 2, 3, 4, 8)

Notes

(15) Accessories sold separately will be separately analyzed under domestic preference requirements. Consult factory for further information.

Fail-Safe Standard Colors



Fail-Safe Architectural Colors



Product Specifications

Housing

- Heavy duty, 18 ga. steel housing and end caps provide rigid construction
- Stainless-steel and die-formed aluminum available
- End caps provided with 7/8" KO for continuous row mounting
- Pendant mount standard with (2) 7/8" KOs in the housing back (all lengths except 1' and 2'). Stem sets ordered separately as accessory item
- Finished in matte white paint standard. Optional architectural colors available
- Electrostatically applied, matte white powder coat finish; gloss white, silver, black, bronze, dark platinum available; Custom colors available (supply RAL number, paint chips, or paint manufacturer catalog number). 16 architectural colors available.

Fasteners

- White painted Hex-head screws (4) secure the lens to the housing
- Stainless steel TORX®T20 (SF1) with center reject pin and allen head with center pin reject screws (SF3) optional
- Optional flush side screws (FSS or FSSTP) painted matte white

Lens

- One-piece extruded UV stabilized, diffuse polycarbonate
- Unique linear ribbed design provides even light distribution while obscuring lamp image and direct glare
- Internal ribs and smooth exterior reduce dirt build-up and facilitates cleaning
- Nominal lens thickness = 0.085"

Reflector

- 18 ga. CRS with white high reflectance polyester powder coat finish
- Reflector serves as driver and wireway cover

Mounting

- Surface mount standard, wall or ceiling.
- Continuous row using end knock-outs

Light-Emitting Diode (LED)

- LEDs available in 3000K, 3500K, 4000K and 5000K with minimum 80 CRI.
- L70 > 72,000 hours

Transformer/Driver

- Electronic driver. 0-10V dimming standard

Compliance

- cULus listed for damp locations standard
- Wet location under covered ceiling optional, wall or ceiling mount

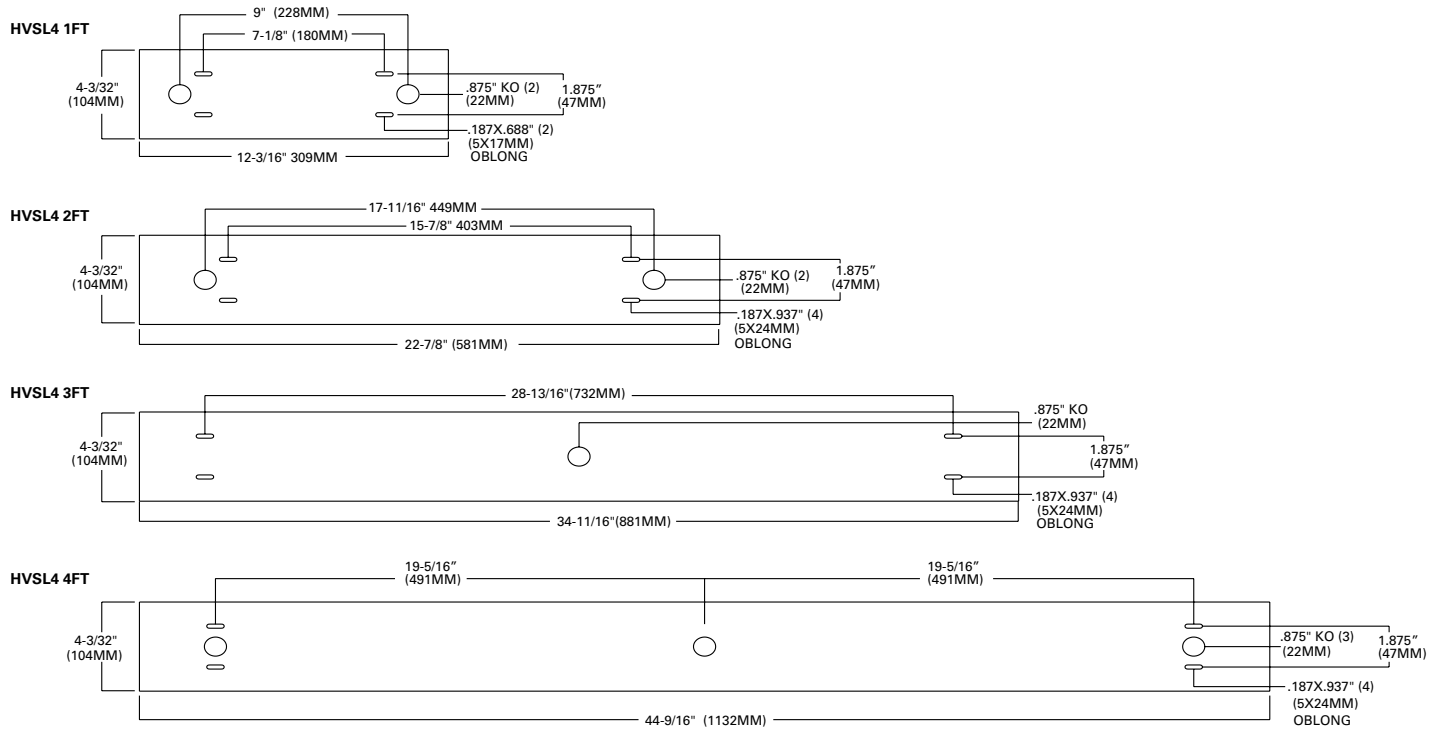
BABA Domestic Preference Compliance

- This Cooper product is manufactured in the US and meets the BABA cost of components rule. To verify a configured product with specific accessories and options meets BABA Domestic Preference Requirements; submit this catalog number to Cooper Lighting Quotation team for validation by our Engineering and Manufacturing teams. Our BABA designation is based on the minimum compliance requirement for BABA. Individual Government Agencies may have more stringent compliance standards. Please refer to the [DOMESTIC PREFERENCES](#) website or consult the CLS Domestic Preferences team for more information. Components shipped separately may be separately analyzed under domestic preference requirements.

Warranty

- Five-year warranty on LEDs and electrical
- Fail-Safe will repair or replace any vandal resistant / high abuse luminaire, that is deemed non-functional due to physical damage to the luminaire exterior housing or polycarbonate lens. The luminaire must be installed correctly, and the warranty does not include any interior component, nor does it include damage due to gunfire, paint, caustic material / chemicals, disastrous or abnormal events.

Dimensional and Mounting Details



Note: * 8' Fixture incorporates (2) 4' fixtures, attached at the factory, and one single 8' length lens

Nominal Input Watts/Delivered Lumens - 4000K

[View IES files](#)

Fixture	Length	# Modules In Cross Section	Illumination Level	Nominal Input Watts	Opal Lens	
					Nominal Delivered Lumens	LPW
HVSL4 (4000K)	2	1	LO	11.6	1304	112.4
		1	STD	16.4	1675	102.1
		1	HI	21.6	2151	99.6
		2	LO	23.1	2602	112.6
		2	STD	32.7	3351	102.5
		2	HI	43.1	4312	100.1
	3	1	LO	34.7	3902	112.5
		1	STD	49.1	5027	102.4
		1	HI	64.7	6469	100.0
		2	LO	49.1	3902	79.5
		2	STD	64.7	5027	77.7
		2	HI	34.7	6469	186.4
	4	1	LO	23.1	2605	112.7
		1	STD	32.7	3351	102.5
		1	HI	43.1	4312	100.1
		2	LO	46.2	5202	112.6
		2	STD	65.4	6701	102.5
		2	HI	86.2	8623	100.0
	8	1	LO	93.3	10403	111.5
		1	STD	132.3	13401	101.3
		1	HI	174.4	17246	98.9
		2	LO	93.3	10403	111.5
		2	STD	132.3	13401	101.3
		2	HI	174.4	17246	98.9

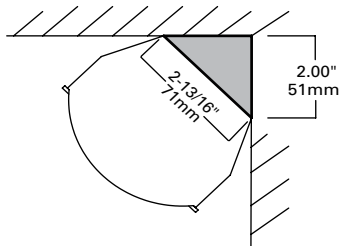
* Nominal input wattage values include LED voltage, drive currents and typical driver efficiency. Refer to LM79 data/photometric files for exact delivered lumen values and input wattage. Values in table are nominal values only.
 * For 8' fixture delivered lumens, multiply 4' unit by a factor of 2.

Lumen Calculator

Approximate CCT Multiplier	
3000K	0.98
3500K	1.00
4000K	1.00
5000K	1.01

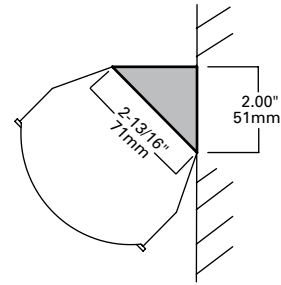
Corner Mount Bracket (Accessory)

HVSL4-X-CM/BKT=HVSL4 Corner Mount Bracket, specify length, (X=1, 2, 3, 4, 8)



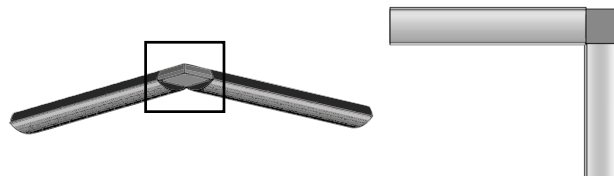
Wall Mount Angle Bracket (Accessory)

HVSL4-X-WMAB45=HVSL4 Wall Mount Angle Bracket, 45 degree, specify length, (X=1, 2, 3, 4, 8)



HVSL4 - Corner Connector (Accessory)

HVSL4-CRNR/CONN=HVSL4 Corner Connector, 90 degree



Pendant Mount: Suspension Sets - Stem Sets (Option)

XX=Length (6, 8, 12, 24, 36, 48, 60, 72) SCF-XX-B=Fixed Stem Set

Used with all surface fixtures as stem sets. One set consists of one stem assembly. Minimum of two sets required per fixture. Not rated WL under covered ceiling.

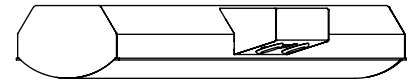
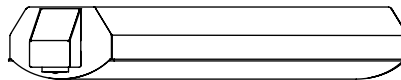
NOTE: Coupler, 3/8" IPS Pipe Coupler to join lengths. Coupler is standard baked white enamel or special order of black. Must specify pendant mount (PMSC or PMY) option on luminaire.

External Occupancy Sensor (Option)

OSE=Occupancy Sensor mounted in external box, (box attached to fixture end plate).

OSES=Occupancy Sensor mounted in external box on side of fixture (box attached to side of fixture).

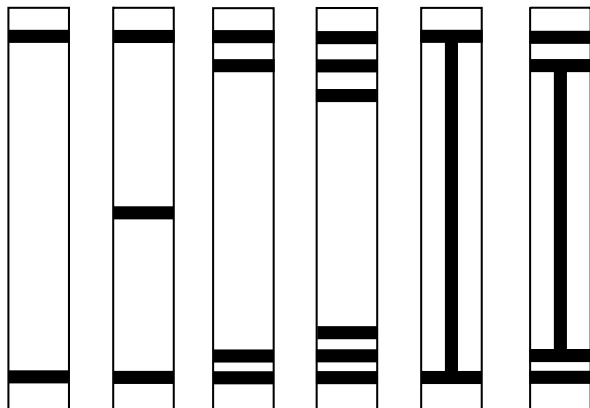
* Internal occupancy sensor available behind lens, positioned at fixture end. Internal sensor adds 4" to the fixture length. (OS1,OS2).



Decorative Lens/Bands (Option)

Ordering Logic (Add to end of fixture catalog #)

Example: HVSL4-4-LD4-1STD-40-UNV-0-EDC1-1E/BK



1E/BK 1E/1M/BK 2E/BK 3E/BK 1E/1V/BK 2E/1V/BK



No of Horizontal band and Location	Vertical Band	Band Color
1E=1 Band on End	1V=1 Band Vertical	BK=Black
2E=2 Bands on End		BR=Bronze
3E=3 Bands on End		BL=Blue
1M=1 Band in Middle		
2M=2 Bands in Middle		
3M=3 Bands in Middle		

Notes:

- *Bands are 3/4" thick
- *Bands are high durability paint finish
- *For custom colors, please furnish RAL# or paint manufacturer/catalog number
- *For other variations or colors not shown, please issue PDR

Copeland Park

Type WP1 Lighting Fixture

**Used for Perimeter Security Lighting at New Shelter
Building**

Project		Catalog #		Type	
Prepared by		Notes		Date	



Lumark

Crosstour Series

Wall Mount Luminaire

Product Certifications & Features



Interactive Menu

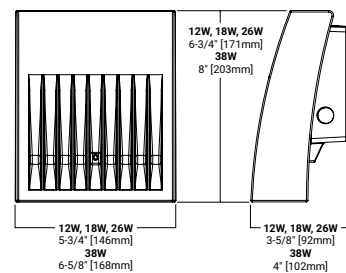
- Ordering Information [page 2](#)
- Product Specifications [page 2](#)
- Energy and Performance Data [page 3](#)

Quick Facts

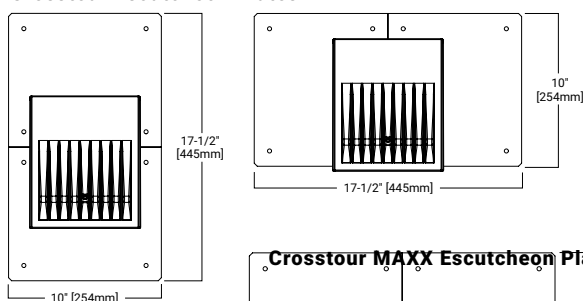
- Available in 12W, 18W, 26, & 38W (900 - 3,100 lumens) models
- Available in 5000K or 4000K (CCT)
- Wall, inverted or pole mount
- Energy and maintenance savings up to 95% compared to HID
- Energy efficient illumination results in up to 177LPW
- Replaces 70W up to 450W HID equivalents
- Optional floodlighting kit converts from wall to floodlight, and pole mount

Dimensional Details

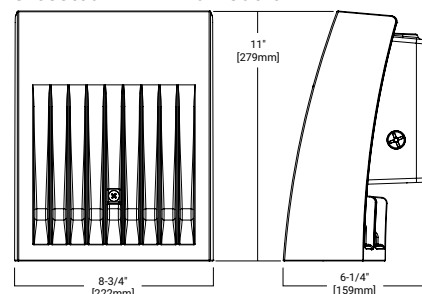
Crosstour Full Cut-off



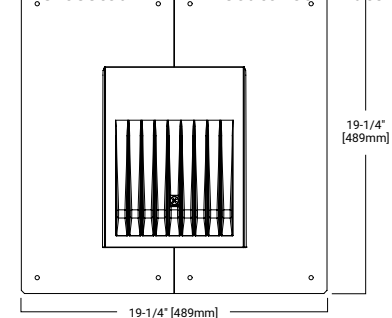
Crosstour Escutcheon Plates



Crosstour MAXX Full Cut-off



Crosstour MAXX Escutcheon Plate



Ordering Information

SAMPLE NUMBER: XTOR2B-W-WT-PC1

Domestic Preferences	Series ¹	LED Kelvin Color	Housing Color	Options (Add as Suffix)	Accessories (Order Separately)
[Blank] =Standard BAA =Buy American Act ⁷ TAA =Trade Agreements Act ⁷ BABA =Build America Buy America Act ⁸	XTOR1B =Small Door, 12W XTOR2B =Small Door, 18W XTOR3B =Small Door, 26W XTOR4B =Medium Door, 38W	[Blank] =Bright White (Standard), 5000K W =Neutral White, 4000K Y =Warm White, 3000K	[Blank] =Carbon Bronze (Standard) WT =Summit White BK =Black BZ =Bronze AP =Grey GM =Graphite Metallic DP =Dark Platinum	PC1 =Photocontrol 120V ² PC2 =Photocontrol 208-277V ^{2,3} 347V =347V ⁴ HA =50°C High Ambient ⁴	XTORFLD-KNC =Knuckle Floodlight Kit ⁶ XTORFLD-TRN =Trunnion Floodlight Kit ⁶ XTORFLD-KNC-WT =Knuckle Floodlight Kit, Summit White ⁶ XTORFLD-TRN-WT =Trunnion Floodlight Kit, Summit White ⁶ EWP/XTOR =Escutcheon Wall Plate, Carbon Bronze EWP/XTOR-WT =Escutcheon Wall Plate, Summit White
	Full Cutoff XTOR6B =MAXX, 58W XTOR8B =MAXX, 81W XTOR12B =MAXX, 102W Refractive Lens XTOR6BRL =MAXX, 58W XTOR8BRL =MAXX, 81W XTOR12BRL =MAXX, 102W				
NOTES: 1. DesignLights Consortium® Qualified and classified for both DLC Standard and DLC Premium, refer to designlights.org for details. 2. Photocontrols are factory installed. 3. Order PC2 for 347V models. 4. Thru-branch wiring not available with HA option or with 347V. XTOR3B not available with HA and 347V or 120V combination. 5. Wire guard for wall/surface mount. Not for use with floodlight kit accessory. 6. Floodlight kit accessory supplied with knuckle (KNC) or trunnion (TRN) base, small and large top visors and small and large impact shields. 7. Only product configurations with these designated prefixes are built to be compliant with the Buy American Act of 1933 (BAA) or Trade Agreements Act of 1979 (TAA), respectively. Please refer to DOMESTIC PREFERENCES website for more information. Components shipped separately may be separately analyzed under domestic preference requirements. 8. Only product configurations with these prefixes are built to be compliant with the Buy American Act of 1933 (BAA) or the Build America Buy America Act (BABA). BABA is the minimum Government compliance requirement for the Build America Buy America standards which is part of the Infrastructure and Investment Jobs Act (IIJA). Individual Government Agencies may have more stringent compliance standards. Please refer to the DOMESTIC PREFERENCES website or consult the CLS Domestic Preferences team for more information. Components shipped separately may be separately analyzed under domestic preference requirements.			9. Not available with HA option. 10. Deep back box is standard for 347V, 480V, CBP, PMA, MS-L20 and MS/DIM-L20. 11. Not available with CBP option. 12. Thru-branch wiring not available with HA option or with 347V. 13. Only for use with 480V Wye systems. Per NEC, not for use with ungrounded systems, impedance grounded systems or corner grounded systems (commonly known as Three Phase Three Wire Delta, Three Phase High Leg Delta and Three Phase Corner Grounded Delta systems). 14. Not available with MS-L20 and MS/DIM-L20 options. 15. Use PC2 with 347V or 480V option for photocontrol. Factory wired to 208-277V lead. 16. Customer is responsible for engineering analysis to confirm pole and fixture compatibility for all applications. Refer to our white paper WP513001EN for additional support information. 17. For use in downlight orientation only. Optimal coverage at mounting heights of 9'-20'. 18. 120V thru 277V only. 19. Factory set to 50% power reduction after 15-minutes of inactivity. Dimming driver included. 20. Includes integral photo sensor. 21. The FSIR-100 configuration tool is required to adjust parameters including high and low modes, sensitivity, time delay, cutoff, and more. Consult your lighting representative at Eaton for more information. 22. 120V or 277V operation only. 23. Operating temperatures -20°C to 25°C. 24. Not available in XTOR12B or XTOR12BRL models. 25. Replace XX with housing color.		

Crosstour Stock Ordering Information

12W Series	18W Series	26W Series	38W Series
XTOR1B =12W, 5000K, Carbon Bronze	XTOR2B =18W, 5000K, Carbon Bronze	XTOR3B =26W, 5000K, Carbon Bronze	XTOR4B =38W, 5000K, Carbon Bronze
XTOR1B-WT =12W, 5000K, Summit White	XTOR2B-W =18W, 4000K, Carbon Bronze	XTOR3B-W =26W, 4000K, Carbon Bronze	XTOR4B-W =38W, 4000K, Carbon Bronze
XTOR1B-PC1 =12W, 5000K, 120V PC, Carbon Bronze	XTOR2B-WT =18W, 5000K, Summit White	XTOR3B-WT =26W, 5000K, Summit White	XTOR4B-WT =38W, 5000K, Summit White
XTOR1B-W =12W, 4000K, Carbon Bronze	XTOR2B-PC1 =18W, 5000K, 120V PC, Carbon Bronze	XTOR3B-PC1 =26W, 5000K, 120V PC, Carbon Bronze	XTOR4B-PC1 =38W, 5000K, 120V PC, Carbon Bronze
	XTOR2B-W-PC1 =18W, 4000K, 120V PC, Carbon Bronze	XTOR3B-W-PC1 =26W, 4000K, 120V PC, Carbon Bronze	XTOR4B-W-PC1 =38W, 4000K, 120V PC, Carbon Bronze
	XTOR2B-347V =18W, 5000K, Carbon Bronze, 347V	XTOR3B-347V =26W, 5000K, Carbon Bronze, 347V	XTOR4B-347V =38W, 5000K, Carbon Bronze, 347V
	XTOR2B-WT-PC1 =18W, 5000K, 120V PC, Summit White	XTOR3B-PC2 =26W, 5000K, 208-277V PC, Carbon Bronze	

Crosstour MAXX Stock Ordering Information

58W Series	81W Series	102W Series
FULL CUTOFF		
XTOR6B =58W, 5000K, Carbon Bronze	XTOR8B =81W, 5000K, Carbon Bronze	XTOR12B =102W, 5000K, Carbon Bronze
XTOR6B-PC1 =58W, 5000K, 120V PC, Carbon Bronze	XTOR8B-PC1 =81W, 5000K, 120V PC, Carbon Bronze	
XTOR6B-WT = 58W, 5000K, Summit White	XTOR8B-WT =81W, 5000K, Summit White	
XTOR6B-W =58W, 4000K, Carbon Bronze	XTOR8B-PC2 =81W, 5000K, 208-277V PC, Carbon Bronze	
XTOR6B-PMA = 58W, 5000K, Pole Mount Arm, Carbon Bronze	XTOR8B-PMA =81W, 5000K, Pole Mount Arm, Carbon Bronze	
XTOR6B-PC2 = 58W, 5000K, 208-277V PC, Carbon Bronze	XTOR8B-347V =81W, 5000K, Carbon Bronze, 347V	
REFRACTIVE LENS		
XTOR6BRL =58W, 5000K, Refractive Lens, Carbon Bronze	XTOR8BRL =81W, 5000K, Refractive Lens, Carbon Bronze	XTOR12BRL =102W, 5000K, Refractive Lens, Carbon Bronze
XTOR6BRL-PC1 =58W, 5000K, Refractive Lens, 120V PC, Carbon Bronze	XTOR8BRL-PC1 =81W, 5000K, Refractive Lens, 120V PC, Carbon Bronze	XTOR12BRL-W =102W, 4000K, Refractive Lens, Carbon Bronze
XTOR6BRL-WT =58W, 5000K, Refractive Lens, Summit White	XTOR8BRL-WT =81W, 5000K, Refractive Lens, Summit White	XTOR12BRL-347V =102W, 5000K, Refractive Lens, Carbon Bronze, 347V
XTOR6BRL-W =58W, 4000K, Refractive Lens, Carbon Bronze	XTOR8BRL-PC2 =81W, 5000K, Refractive Lens, 208-277V PC, Carbon Bronze	
XTOR6BRL-PMA =58W, 5000K, Refractive Lens, Pole Mount Arm, Carbon Bronze	XTOR8BRL-PMA =81W, 5000K, Refractive Lens, Pole Mount Arm, Carbon Bronze	
XTOR6BRL-PC2 =58W, 5000K, Refractive Lens, 208-277V PC, Carbon Bronze	XTOR8BRL-W =81W, 4000K, Refractive Lens, Carbon Bronze	
XTOR6BRL-347V =58W, 5000K, Refractive Lens, Carbon Bronze, 347V	XTOR8BRL-347V = 81W, 5000K, Refractive Lens, Carbon Bronze, 347V	

Product Specifications

Physical Characteristics

- Die-cast aluminum housing
- External back fin design extracts heat from the surface to thermally optimize design for longer luminaire life
- tool-less electrical connections with the supplied push-in connectors.
- supports both the small and medium forms and mounts to standard 3-1/2" to 4" round and octagonal, 4" square, single gang and masonry junction boxes.

Optics

- Dark Sky Approved (Fixed mount, Full cutoff, and 3000K CCT only)
- Silicone-sealed optical LED chamber
- impact-resistant tempered glass and meets IESNA requirements for full cutoff compliance
- Available in seven lumen packages; 5000K, 4000K and 3000K CCT

Electrical

- Standard universal voltage (120-277V, 50/60Hz)
- Driver incorporates 6kV surge protection
- -40°C minimum operating temperature
- 40°C maximum operating temperature
- <20% total harmonic distortion

Mounting

- Knuckle, Trunnion, Escutcheon Wall Plate

Finish

- Five-stage super TGIC polyester powder coat paint, 2.5 mil nominal thickness

Typical Applications

- Wall Mount, Bullet Flood, Pole Mount, Exterior wall, Walkway

Compliance

- BAA domestic preference option meets BAA requirements. See [DOMESTIC PREFERENCES](#) website or consult the CLS Domestic Preferences team for more information
- FHWA and FTA agencies are utilizing their BAA rules for BABA compliance. Cooper's products with a BAA designation are manufactured in the US and utilize a BAA COTS exemption rule for compliance. To verify a configured product with specific accessories and options meet BABA Domestic Preference Requirements; submit this catalog number to Cooper Lighting Quotation team for validation by our Engineering and Manufacturing teams. Please refer to the [DOMESTIC PREFERENCES](#) website or consult the CLS Domestic Preferences team for more information. Components shipped separately may be separately analyzed under domestic preference requirements.

Shipping Data

- Small fixture=5 lbs. [2.36 kgs.]
- Small with sensor or CBP=10 lbs. [4.40 kgs.]
- Large fixture=12 lbs. [5.45 kgs.]
- Large with sensor or CBP=17 lbs. [7.73 kgs.]
- Large with sensor & CBP=21 lbs. [9.54 kgs.]

Warranty

- Five year limited warranty, consult website for details. www.cooperlighting.com/legal

Energy and Performance Data

Crosstour Power and Lumens

LED Information	XTOR1B	XTOR1B-W	XTOR1B-Y	XTOR2B	XTOR2B-W	XTOR2B-Y	XTOR3B	XTOR3B-W	XTOR3B-Y	XTOR4B	XTOR4B-W	XTOR4B-Y
Delivered Lumens (Wall Mount)	1,418	1,396	1,327	2,135	2,103	1,997	2,751	2,710	2,575	4,269	4,205	3,995
Delivered Lumens (With Flood Accessory Kit) ¹	1,005	990	940	1,495	1,472	1,399	2,099	2,068	1,965	3,168	3,121	2,965
B.U.G. Rating ²	B1-U0-G0	B1-U0-G0	B1-U0-G0	B1-U0-G0	B1-U0-G0	B1-U0-G0	B1-U0-G0	B1-U0-G0	B1-U0-G0	B2-U0-G0	B2-U0-G0	B2-U0-G0
CCT (Kelvin)	5,000	4,000	3,000	5,000	4,000	3,000	5,000	4,000	3,000	5,000	4,000	3,000
CRI (Color Rendering Index)	70	70	70	70	70	70	70	70	70	70	70	70
Power Consumption (Watts)	12W	12W	12W	18W	18W	18W	26W	26W	26W	38W	38W	38W

NOTES: 1 Includes shield and visor. 2 B.U.G. Rating does not apply to floodlighting.

Crosstour MAXX Power and Lumens

LED Information	XTOR6B	XTOR6BRL	XTOR6B-W	XTOR6BRL-W	XTOR6B-Y	XTOR6BRL-Y
Delivered Lumens	6,129	6,225	6,038	6,133	5,611	5,826
B.U.G. Rating	B1-U0-G1	B2-U4-G3	B1-U0-G1	B2-U4-G3	B1-U0-G1	B2-U4-G3
CCT (Kelvin)	5000K	5000K	4000K	4000K	3000K	3000K
CRI (Color Rendering Index)	70	70	70	70	70	70
Power Consumption (Watts)	58W	58W	58W	58W	58W	58W

LED Information	XTOR8B	XTOR8BRL	XTOR8B-W	XTOR8BRL-W	XTOR8B-Y	XTOR8BRL-Y
Delivered Lumens	8,502	8,635	8,373	8,504	7,748	8,079
B.U.G. Rating	B2-U0-G1	B2-U4-G3	B2-U0-G1	B2-U4-G3	B2-U0-G1	B2-U4-G3
CCT (Kelvin)	5000K	5000K	4000K	4000K	3000K	3000K
CRI (Color Rendering Index)	70	70	70	70	70	70
Power Consumption (Watts)	81W	81W	81W	81W	81W	81W

LED Information	XTOR12B	XTOR12BRL	XTOR12B-W	XTOR12BRL-W	XTOR12B-Y	XTOR12BRL-Y
Delivered Lumens	12,728	13,458	12,539	13,258	11,861	12,595
B.U.G. Rating	B2-U0-G1	B2-U4-G3	B2-U0-G1	B2-U4-G3	B2-U0-G1	B2-U4-G3
CCT (Kelvin)	5000K	5000K	4000K	4000K	3000K	3000K
CRI (Color Rendering Index)	70	70	70	70	70	70
Power Consumption (Watts)	102W	102W	102W	102W	102W	102W

Crosstour Lumen Maintenance

Ambient Temperature	TM-21 Lumen Maintenance (72,000 Hours)
XTOR1B Model	
25°C	> 90%
40°C	> 89%
50°C	> 88%
XTOR2B Model	
25°C	> 89%
40°C	> 88%
50°C	> 87%
XTOR3B Model	
25°C	> 89%
40°C	> 88%
50°C	> 87%
XTOR4B Model	
25°C	> 89%
40°C	> 87%
50°C	> 87%

Crosstour MAXX Lumen Maintenance

Ambient Temperature	TM-21 Lumen Maintenance (72,000 Hours)
XTOR6B Model	
25°C	> 90%
40°C	> 88%
50°C	> 88%
XTOR8B Model	
25°C	> 89%
40°C	> 87%
50°C	> 86%
XTOR12B Model	
25°C	> 89%
40°C	> 87%

Power and Lumens (Large + CBP)

Light Engine	XTOR1B	XTOR2B	XTOR3B	XTOR4B
Power (Watts)	12	18	26	38
Input Current @ 120V (A)	0.103A	0.15A	0.22A	0.34A
Input Current @ 208V (A)	0.060A	0.09A	0.13A	0.17A
Input Current @ 240V (A)	0.053A	0.08A	0.11A	0.17A
Input Current @ 277V (A)	0.048A	0.07A	0.10A	0.15A
Input Current @ 347V (A)	0.039A	0.06A	0.082A	0.12A

Note: Power and current based on full power consumption while CBP is charging.
Lumen outputs are while operating in emergency mode only.